

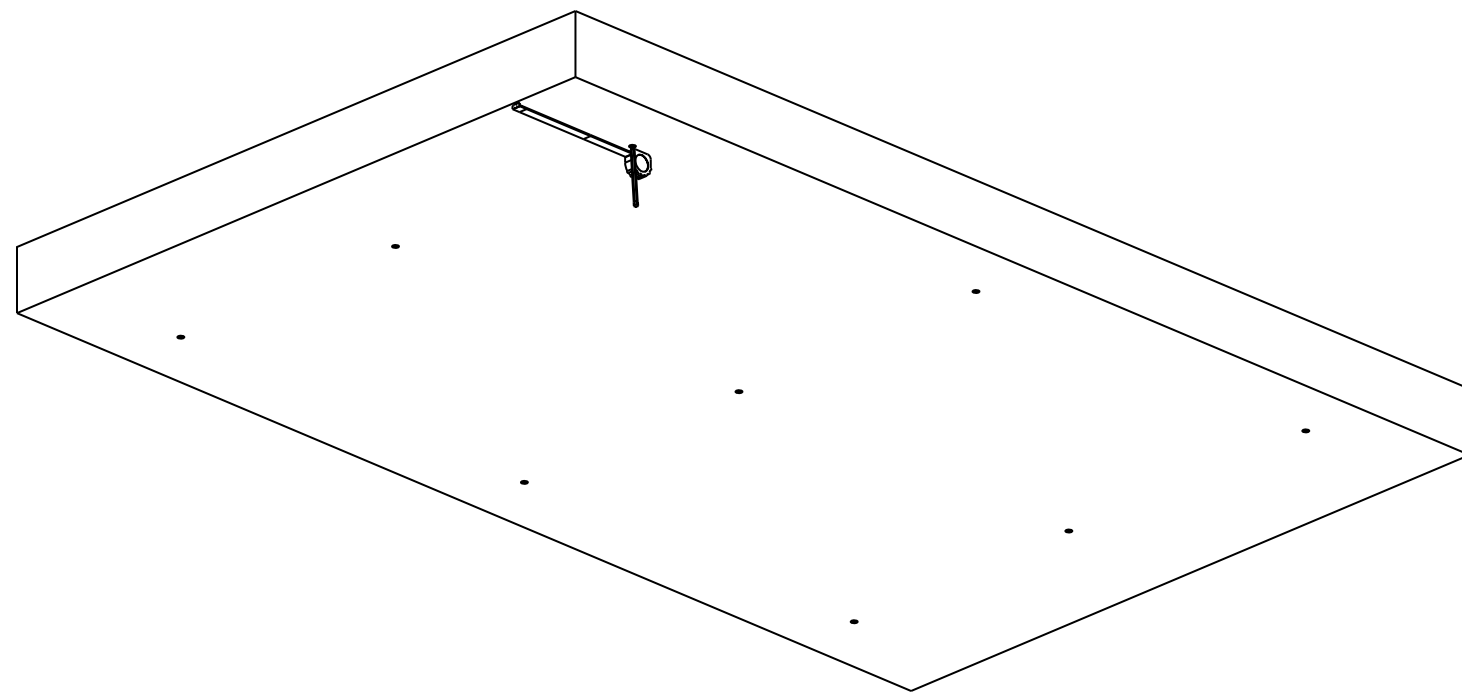


Installation Steps

(Push Release Mechanism)

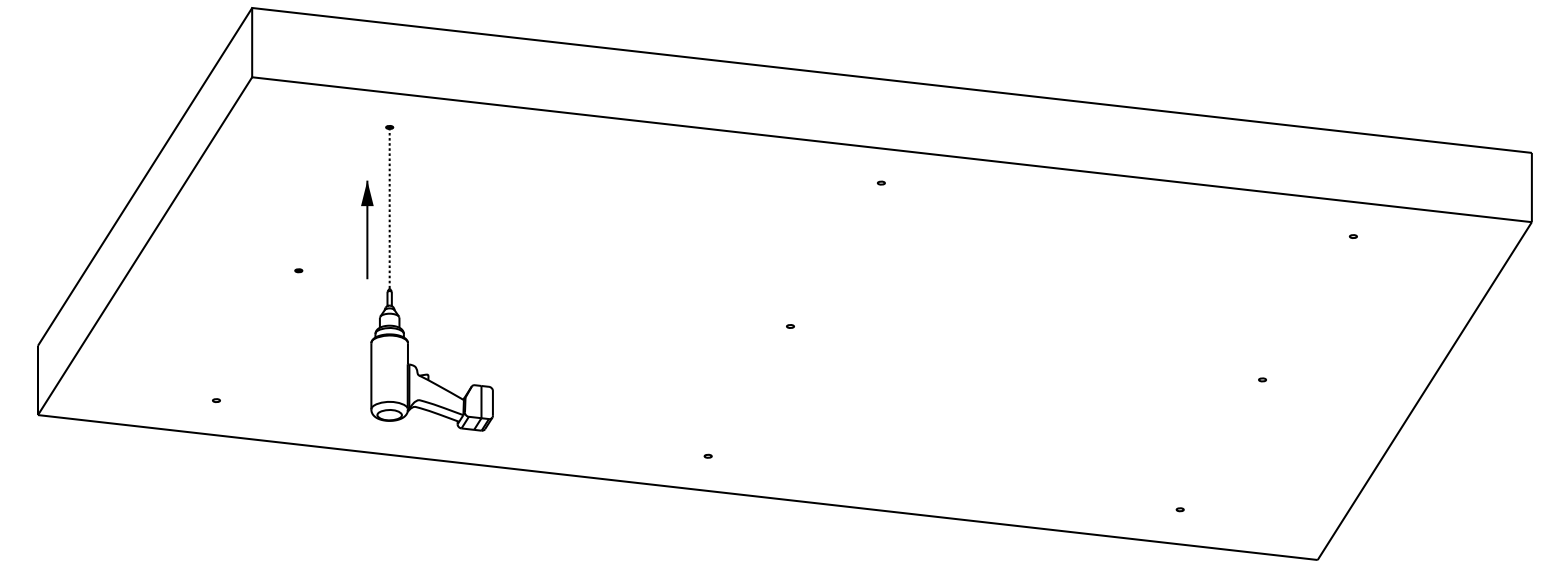
Step A:

Mark the designated area on the ceiling for the mounting hardware.



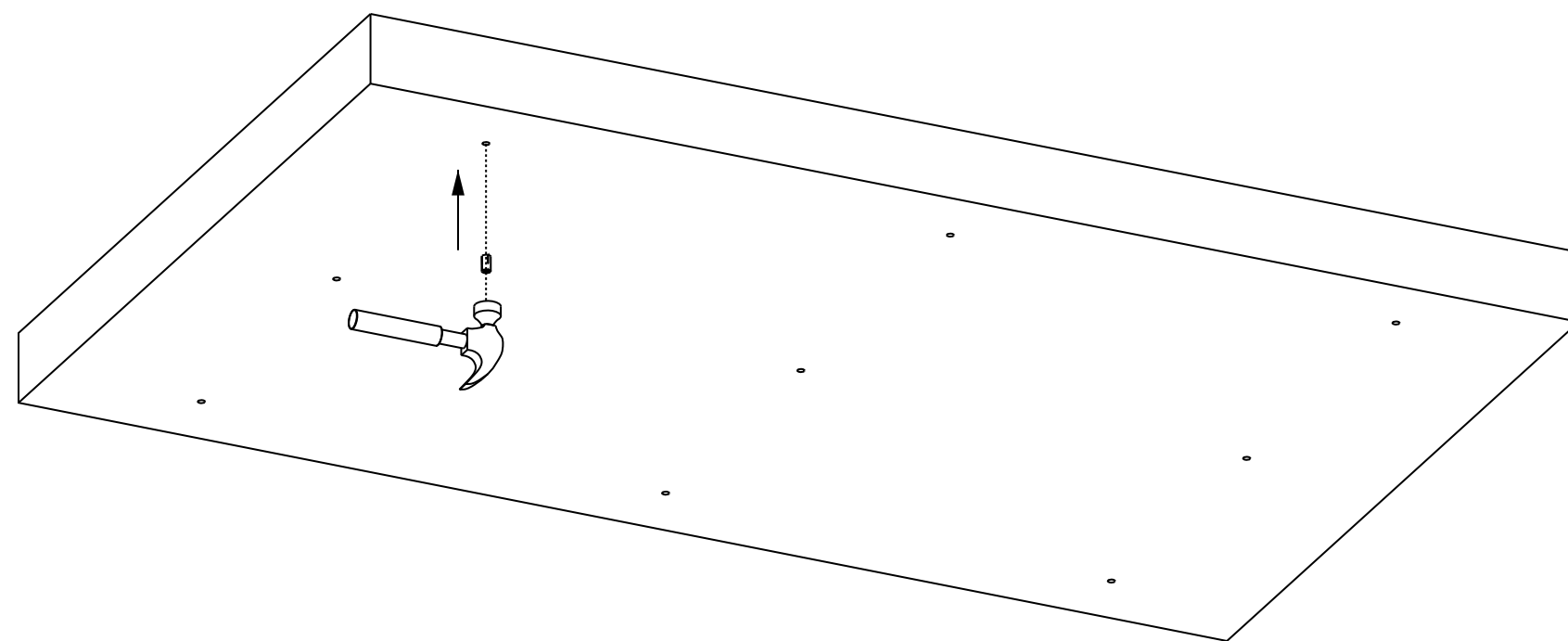
Step B:

Drill a hole in the ceiling to accommodate the fastener size specified.



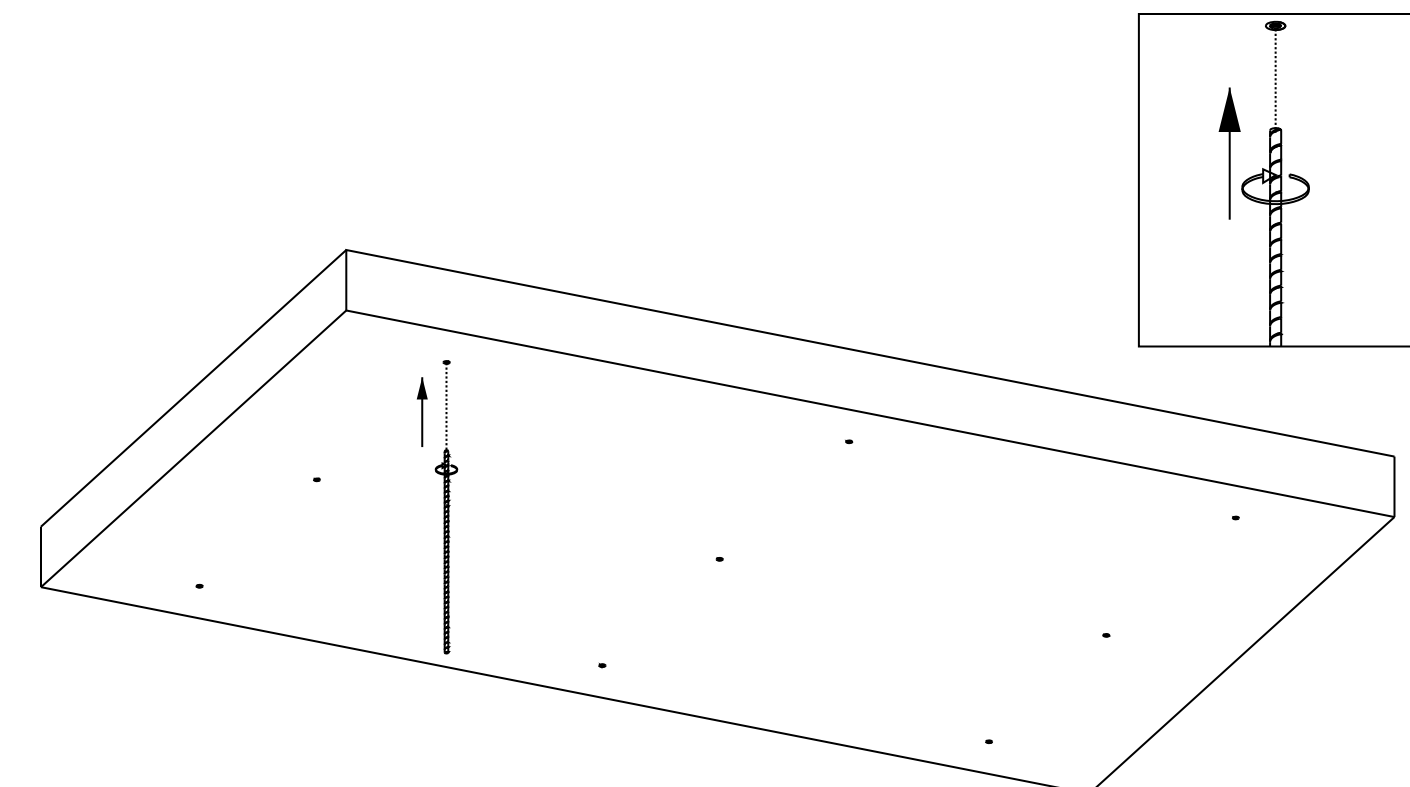
Step C:

Use a hammer rod to insert all nine fasteners into the ceiling as illustrated.



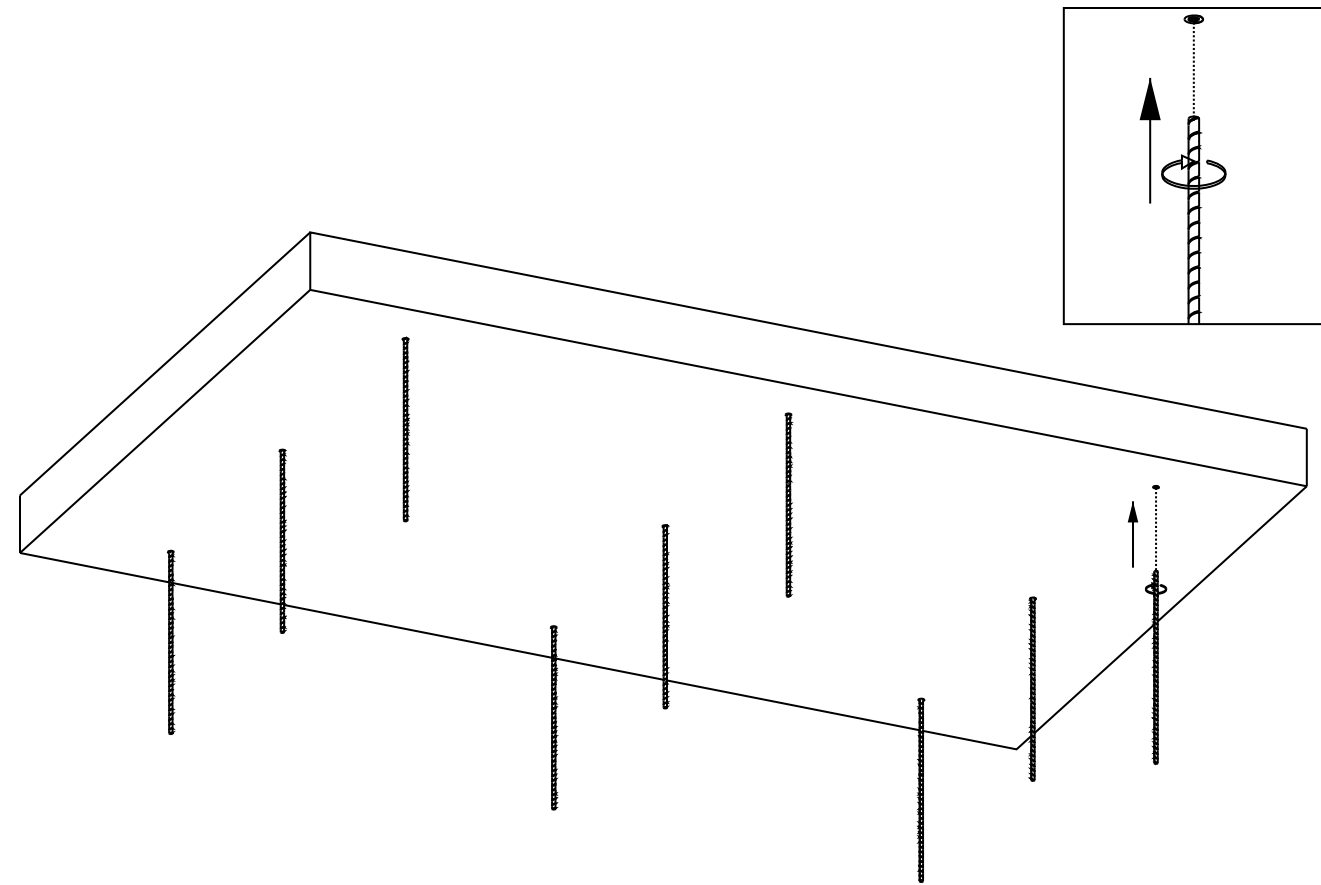
Step D:

Insert each rod by twisting it in the direction indicated by the arrows in the enlarged view.



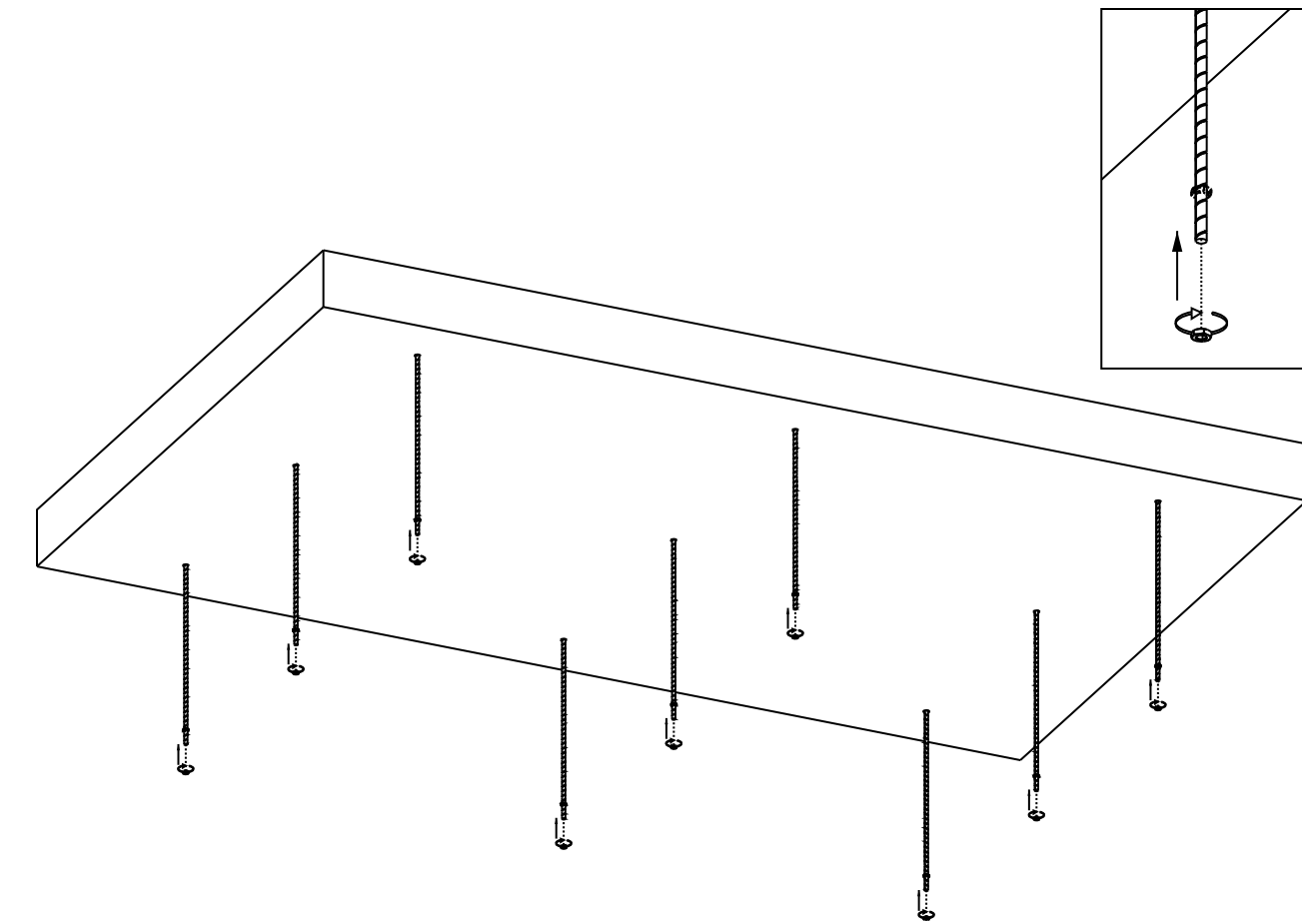
Step E:

Continue to insert all rods by twisting according to the direction shown in the arrows.



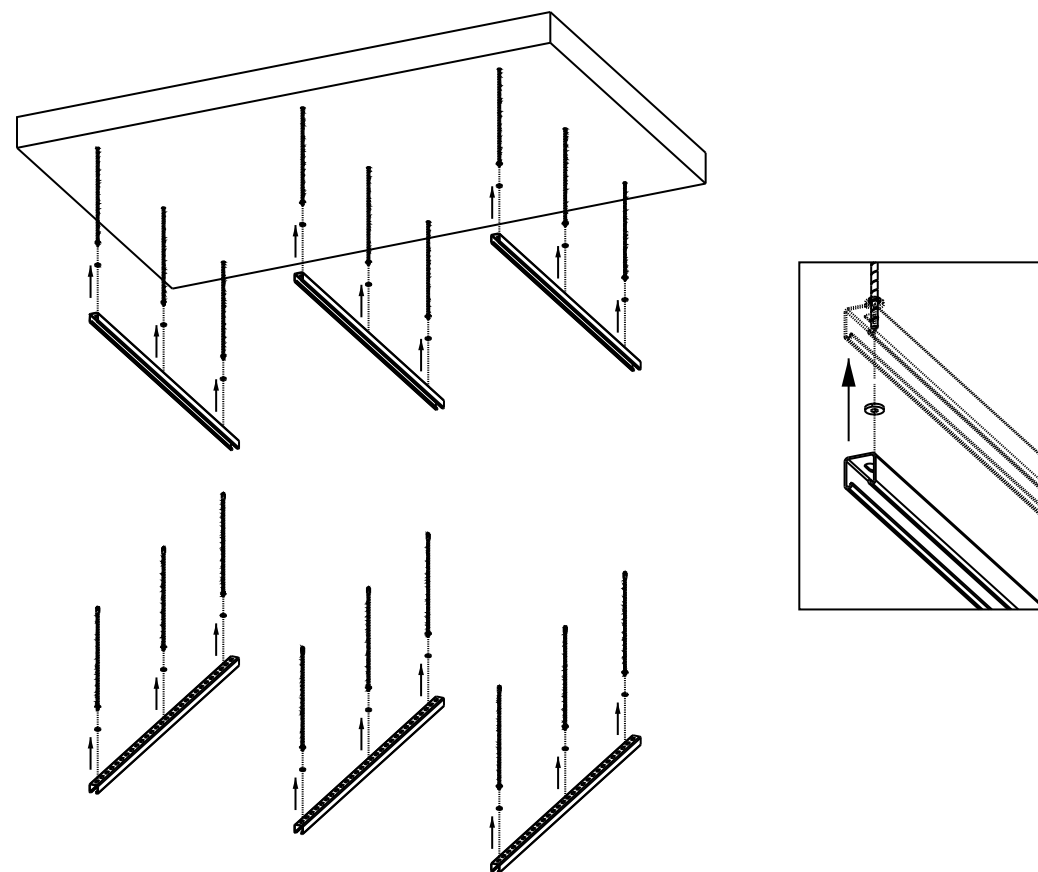
Step F:

Attach one nut per rod by twisting as indicated in the enlarged view. Ensure all nuts are aligned correctly.



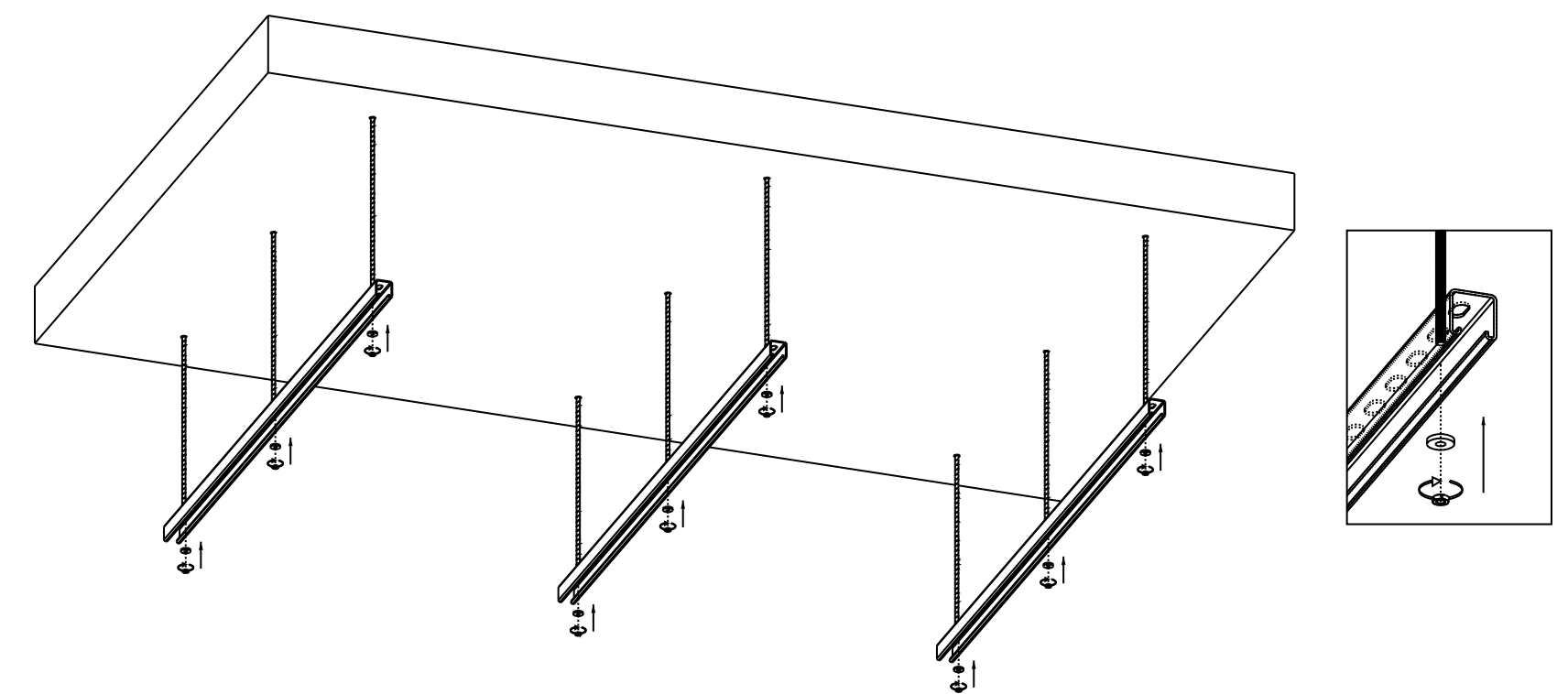
Step G:

Place one washer per rod, followed by the installation of three slotted channels, aligning one channel for every three rods as indicated. Ensure proper alignment throughout.



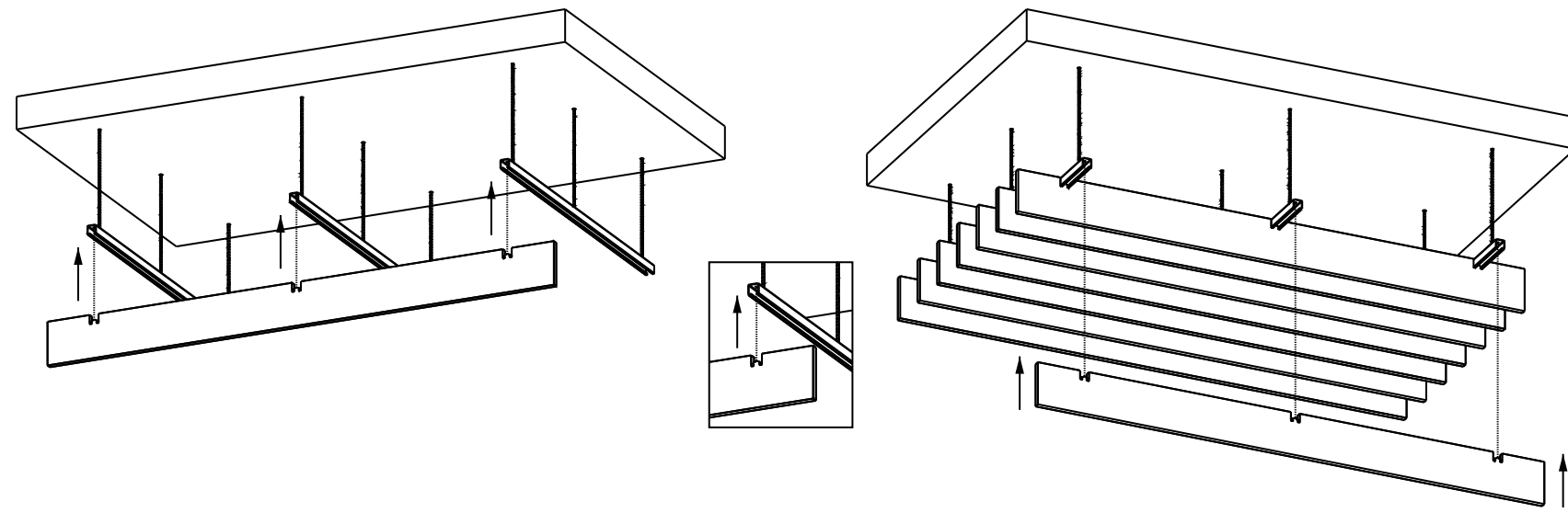
Step H:

First, insert one washer per rod, followed by one nut per rod as shown in the enlarged view. Ensure each component is aligned properly.



Step I:

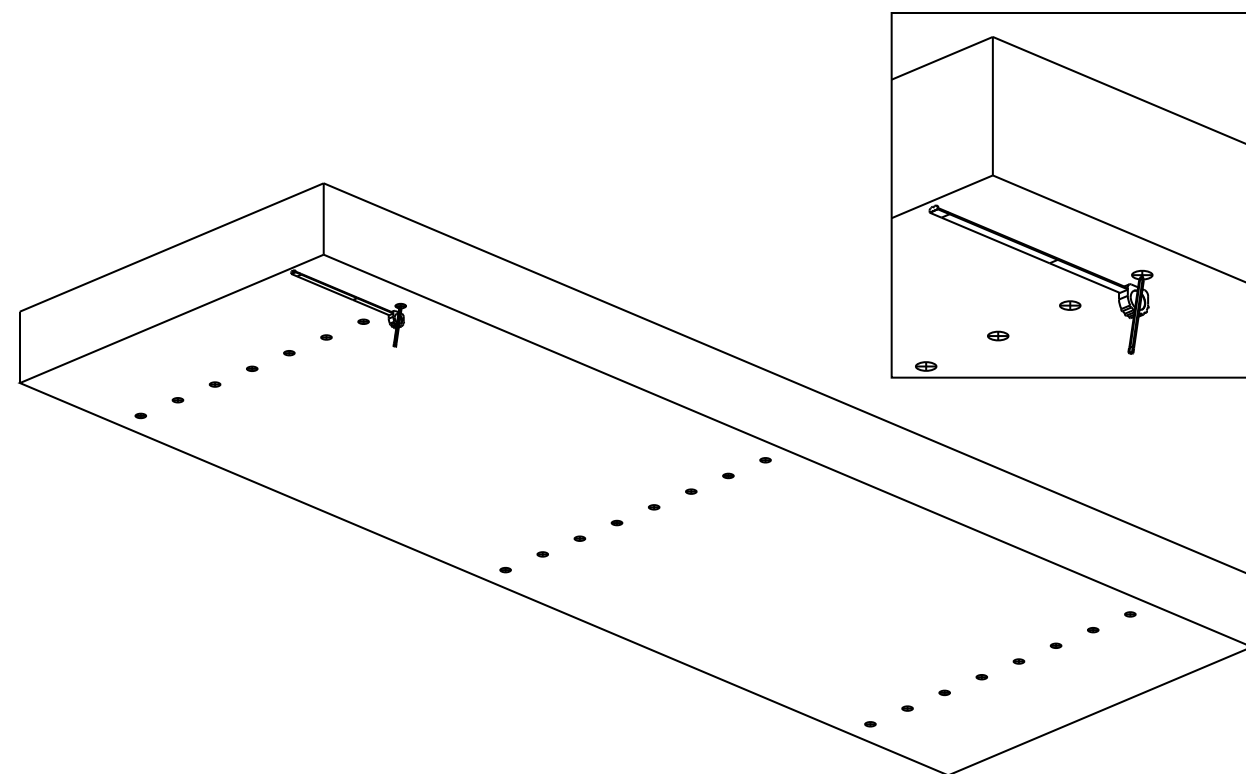
Position the baffle and press it towards the slotted channel sequentially, ensuring each baffle is securely fixed in the slotted channel. Maintain the desired spacing between each baffle as required.



(End-to-End Mounting Hardware)

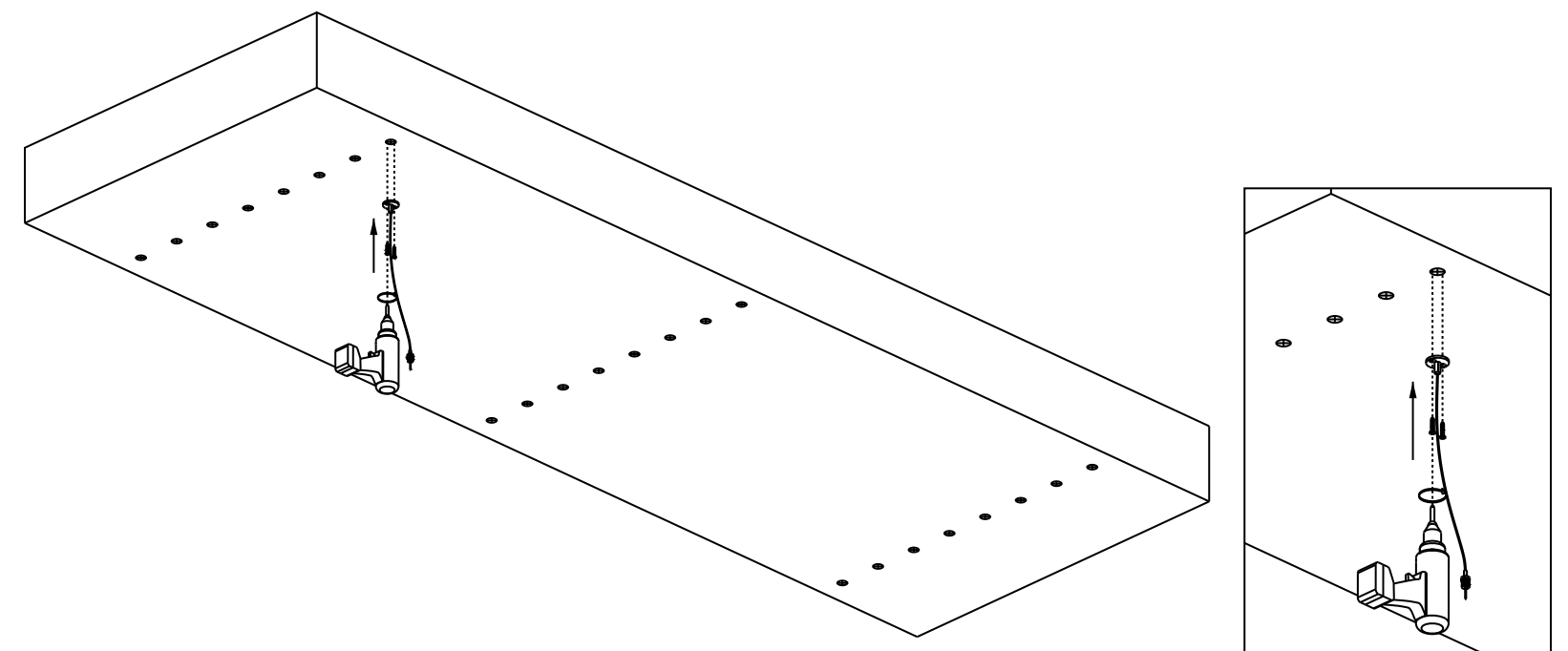
Step A:

Use a measuring tape to mark the installation points on the ceiling for all eight baffles.



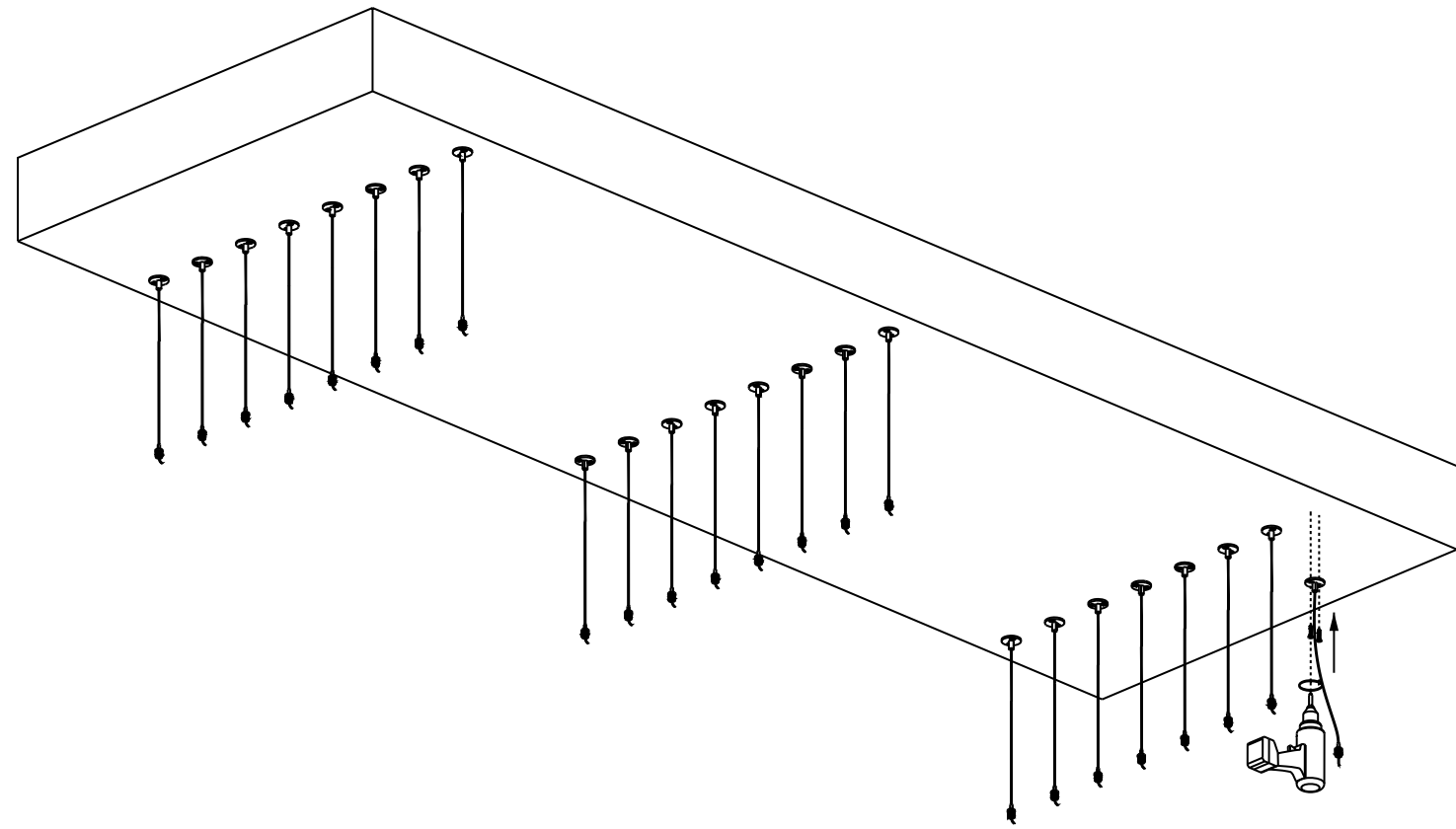
Step B:

Install the double screw hardware into the ceiling using a drill.



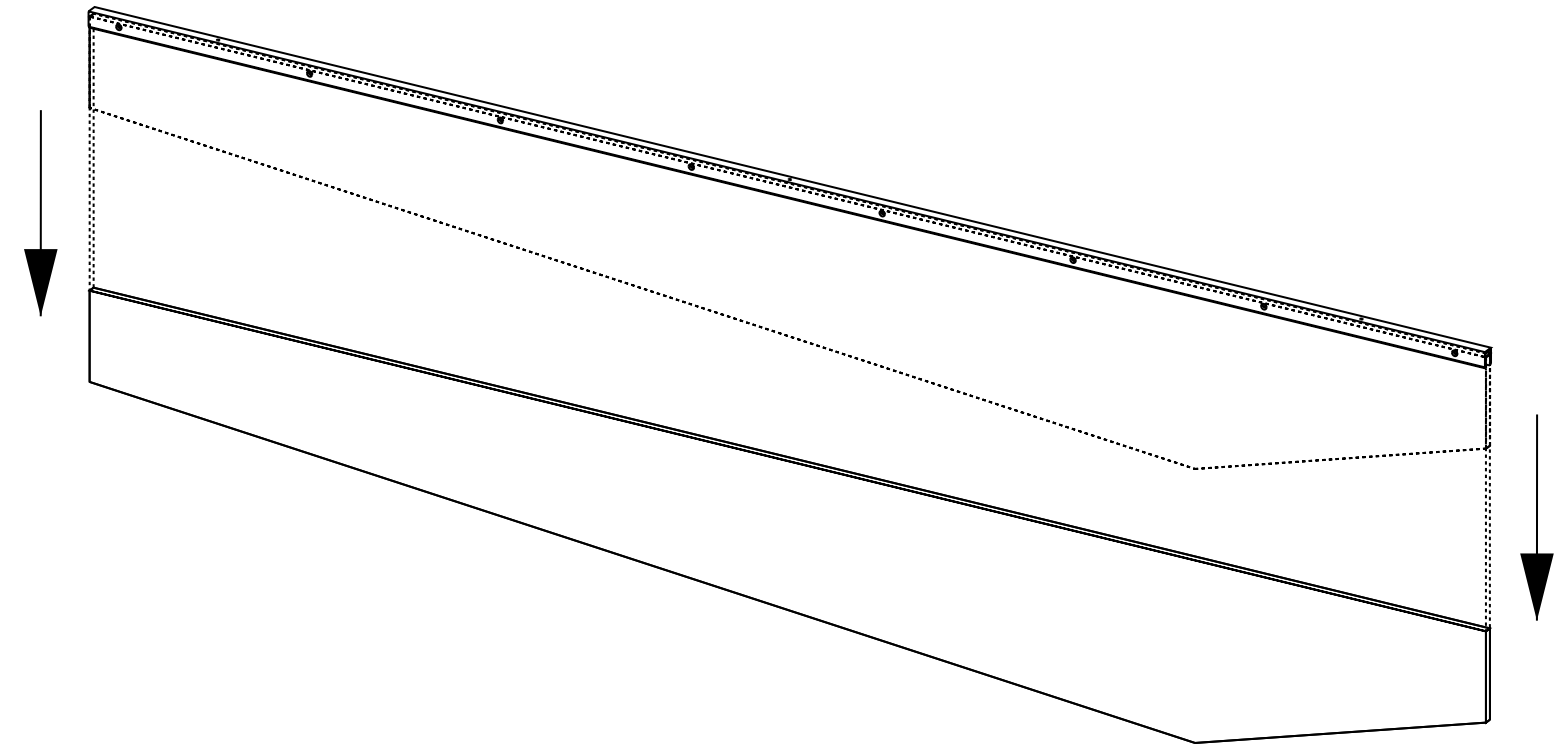
Step C:

Secure all double screw hardware into the ceiling using a drill.



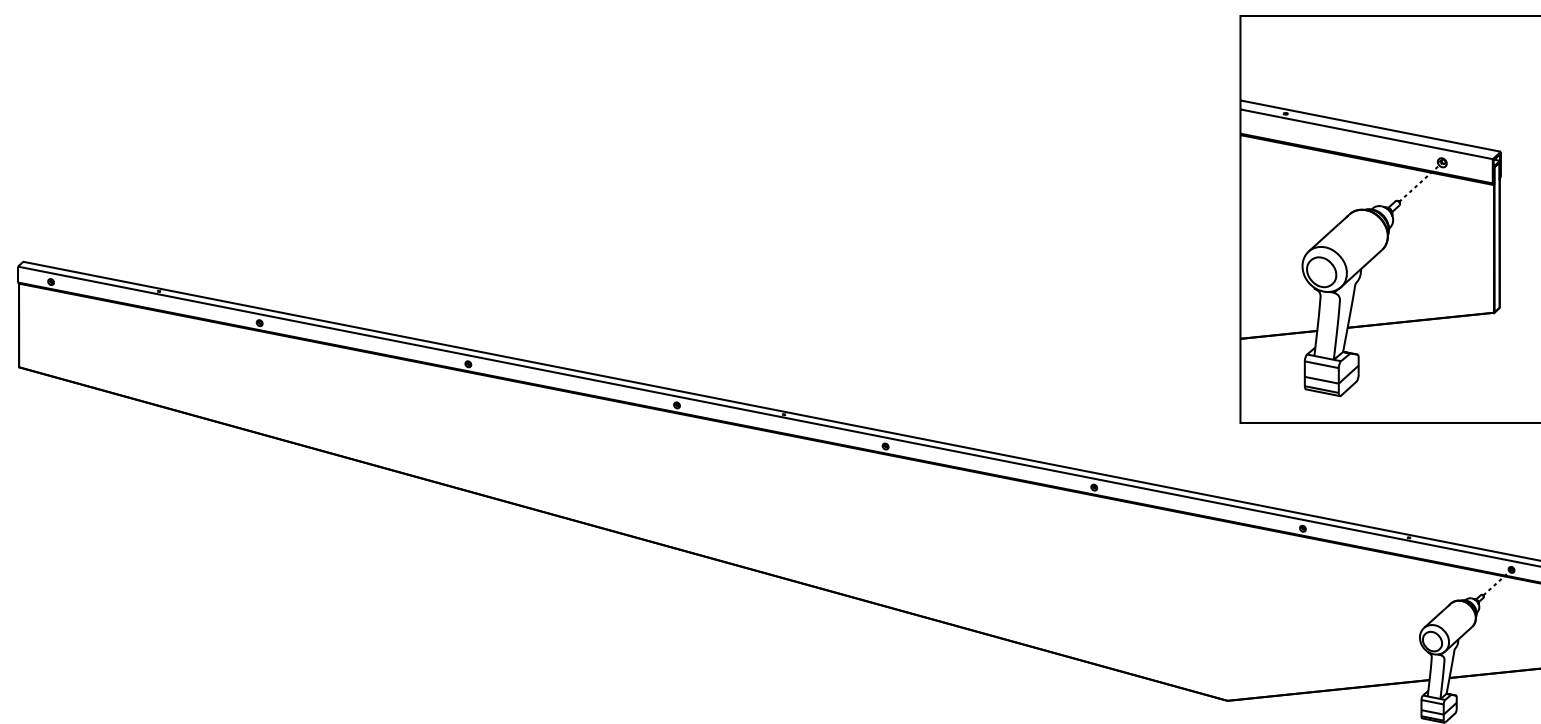
Step D:

Sequentially position each baffle and align it with the C-profile.



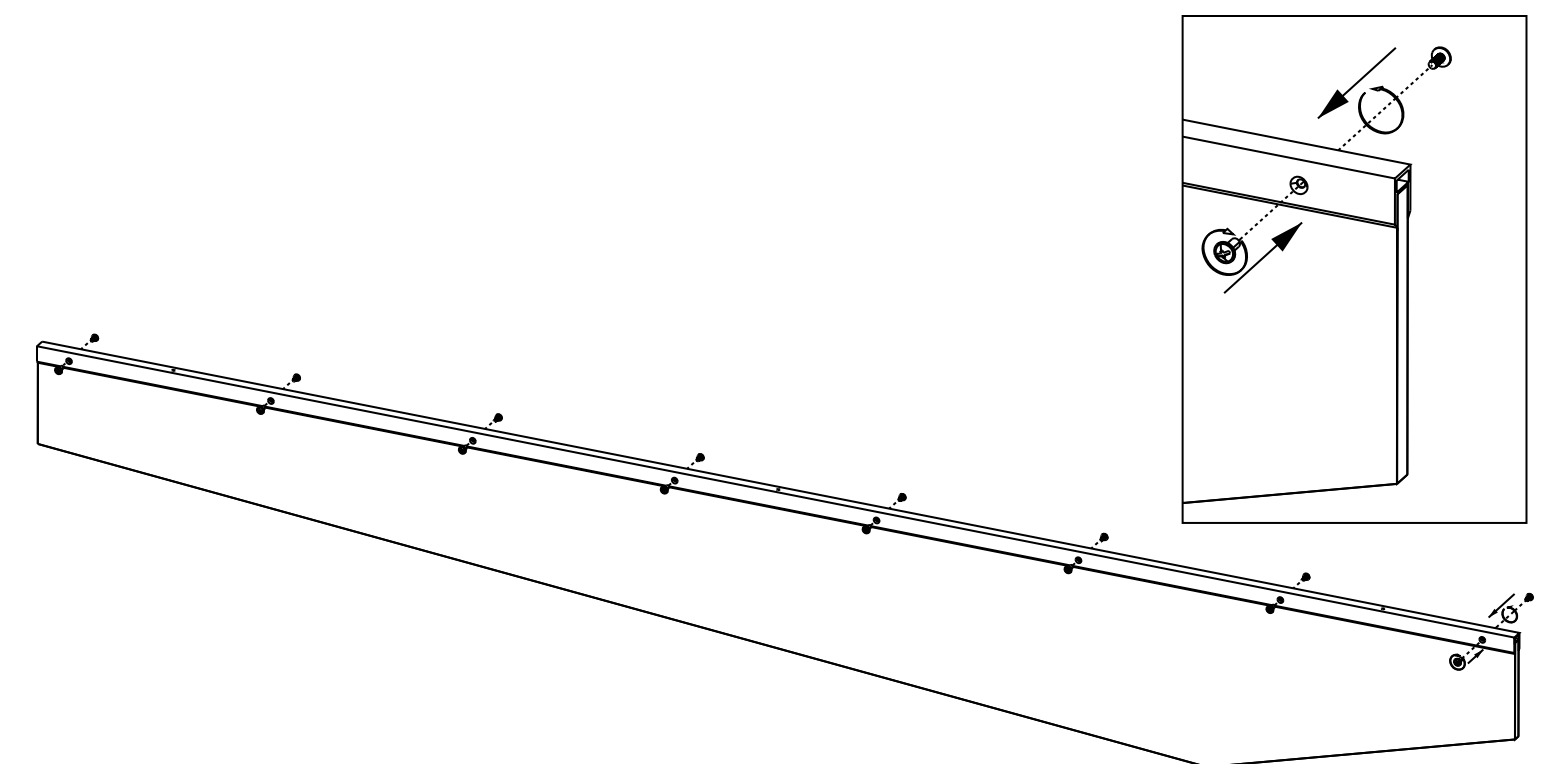
Step E:

Drill holes to align with those on the C-profile.



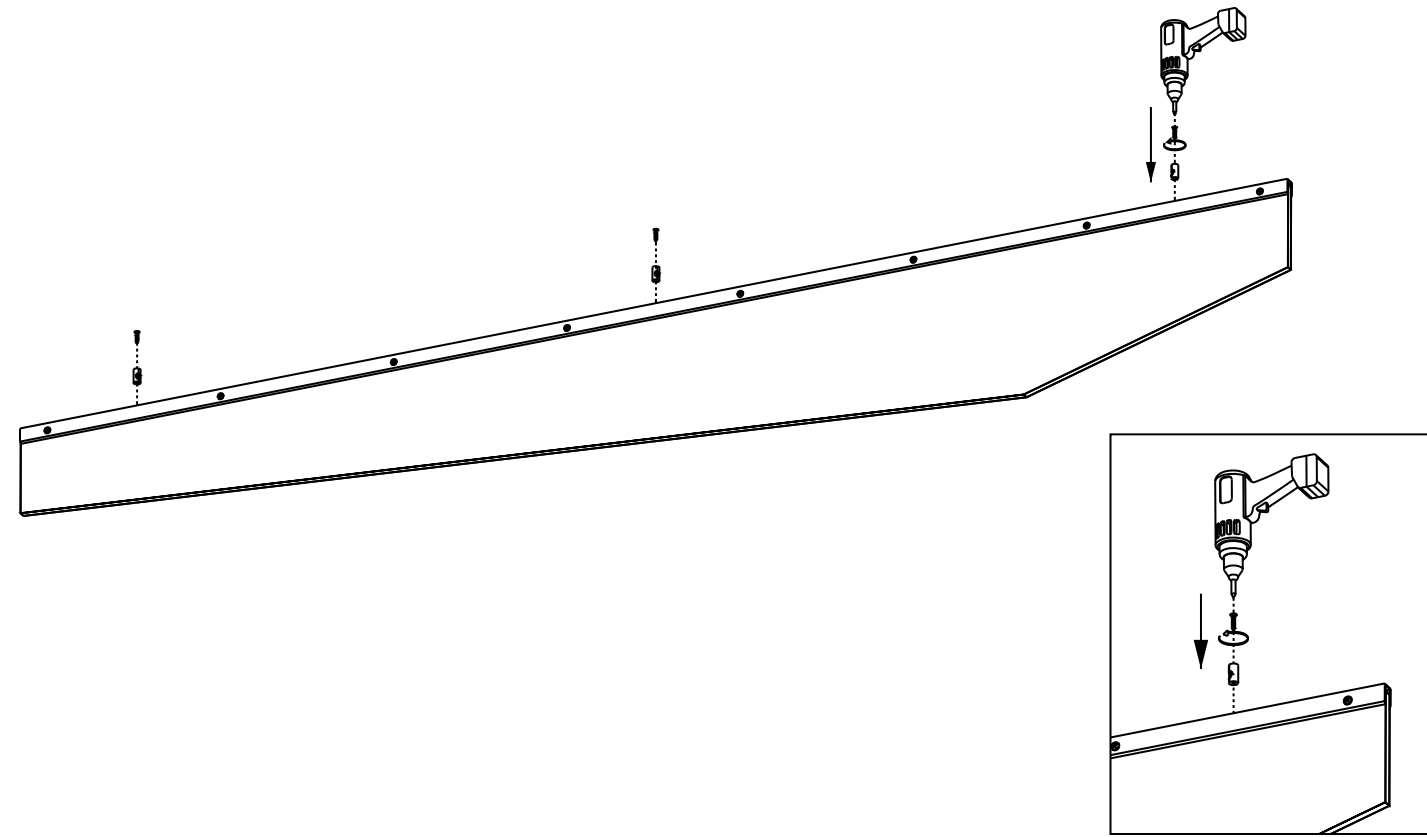
Step F:

Use male-female screws to attach the C-profile to the baffles as illustrated in the enlarged view.



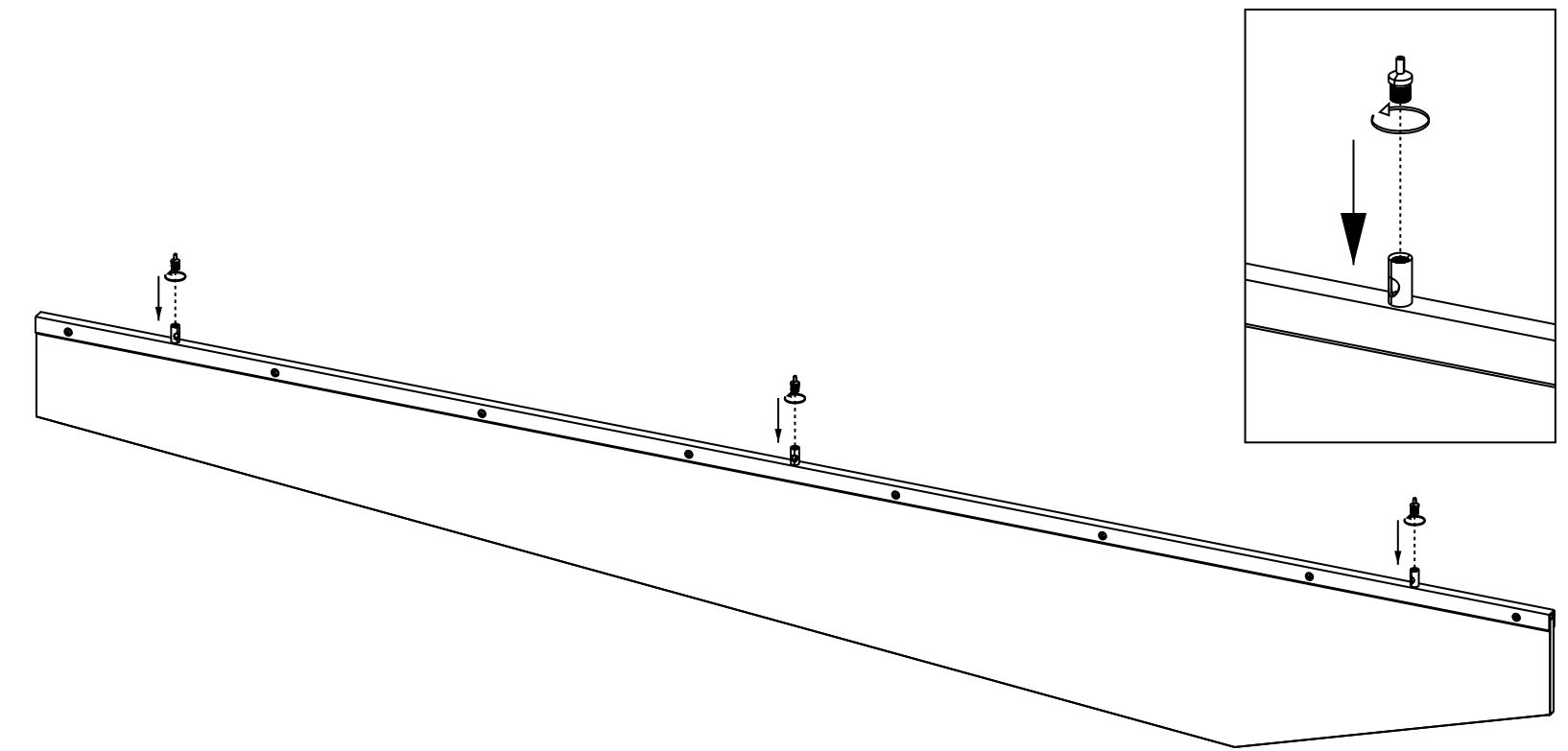
Step G:

Align the holes on the C-profile and secure the bottom hardware using a drill as shown in the enlarged view.



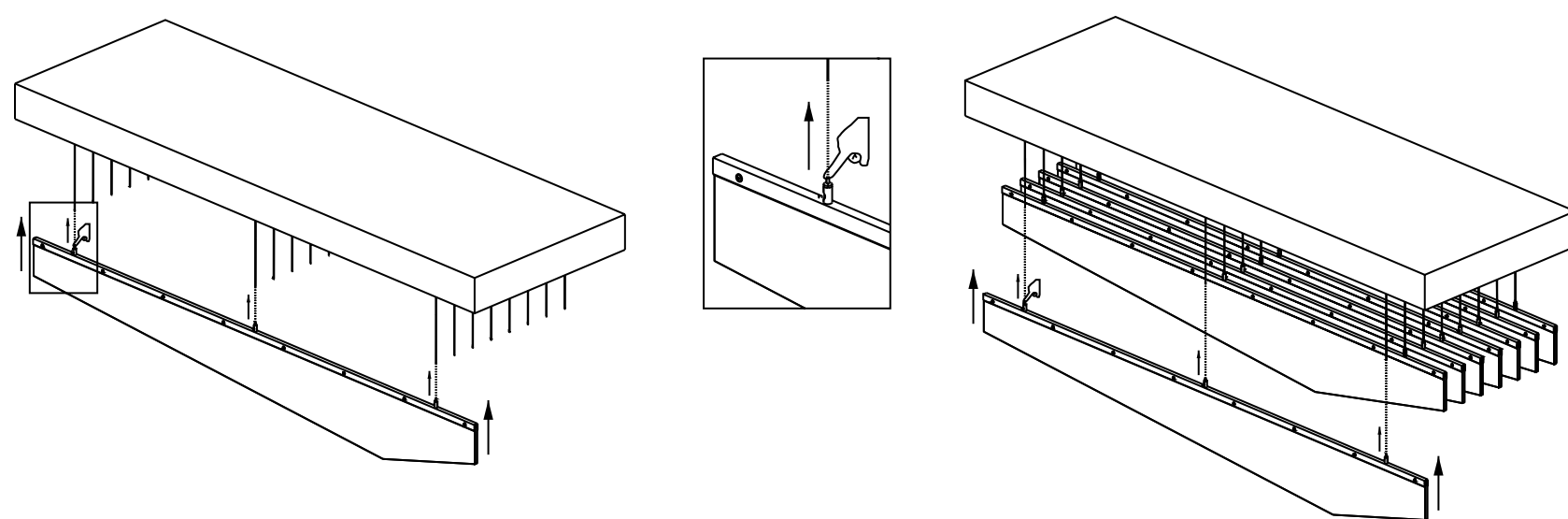
Step H:

Attach the cap to the bottom-mounted hardware by rotating it clockwise as depicted in the enlarged view.



Step I:

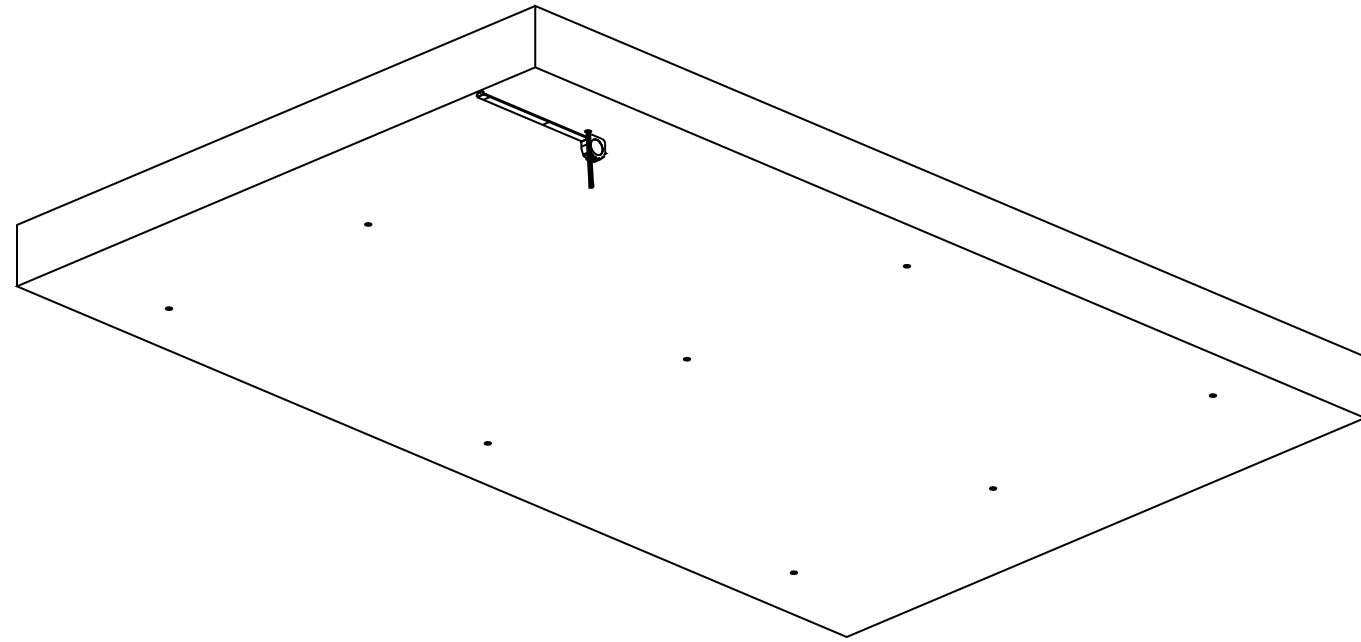
Securely hold the baffle, press the cap to insert the clutch wire as illustrated, and check the baffle's alignment.



(Adjustable Mounting System)

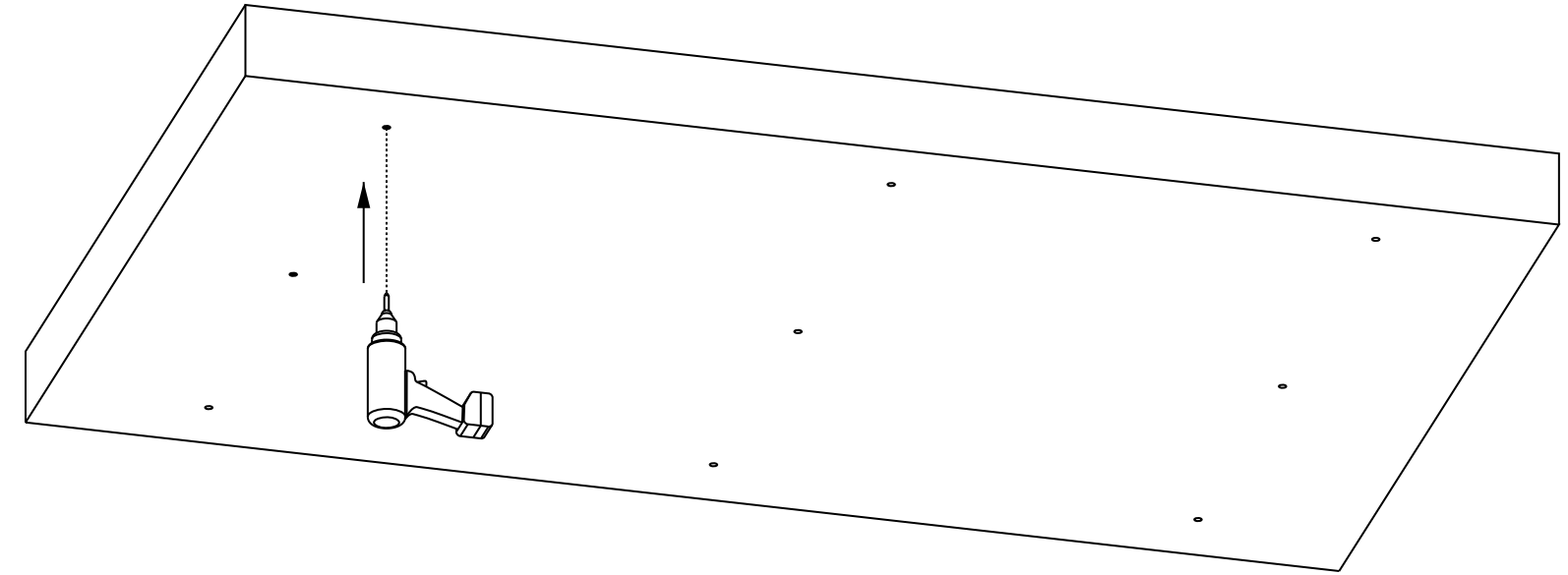
Step A:

Mark the designated area on the ceiling for the mounting hardware.



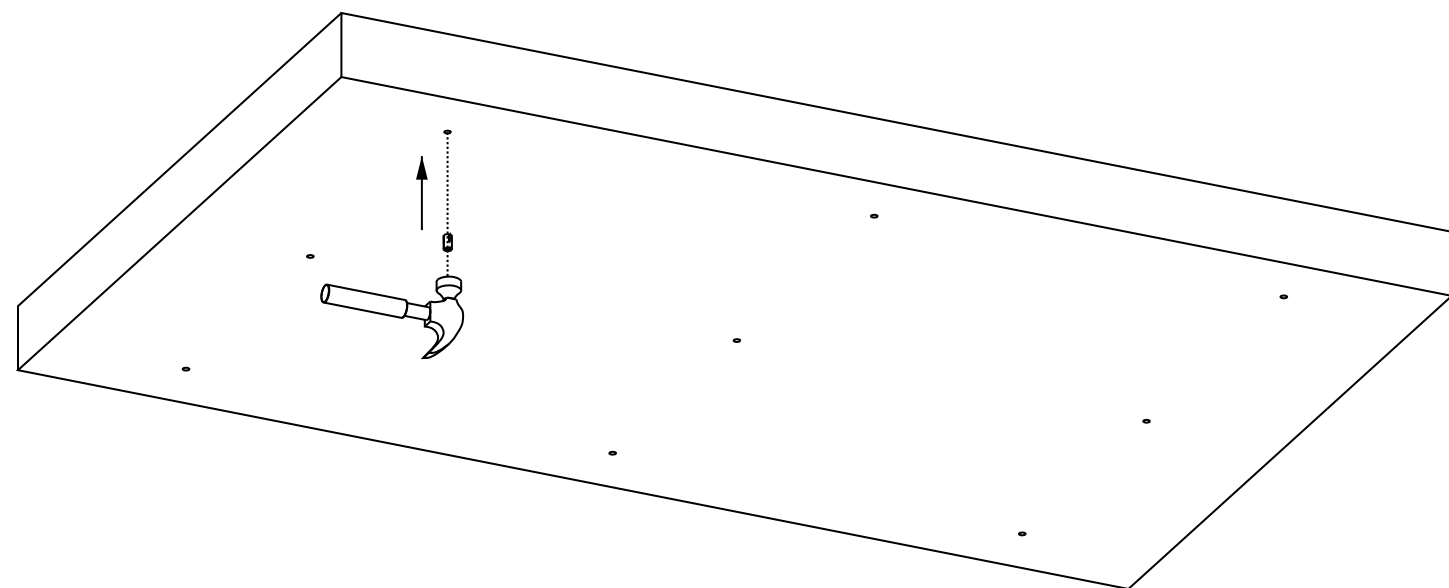
Step B:

Drill holes in the ceiling to accommodate the specified fastener size.



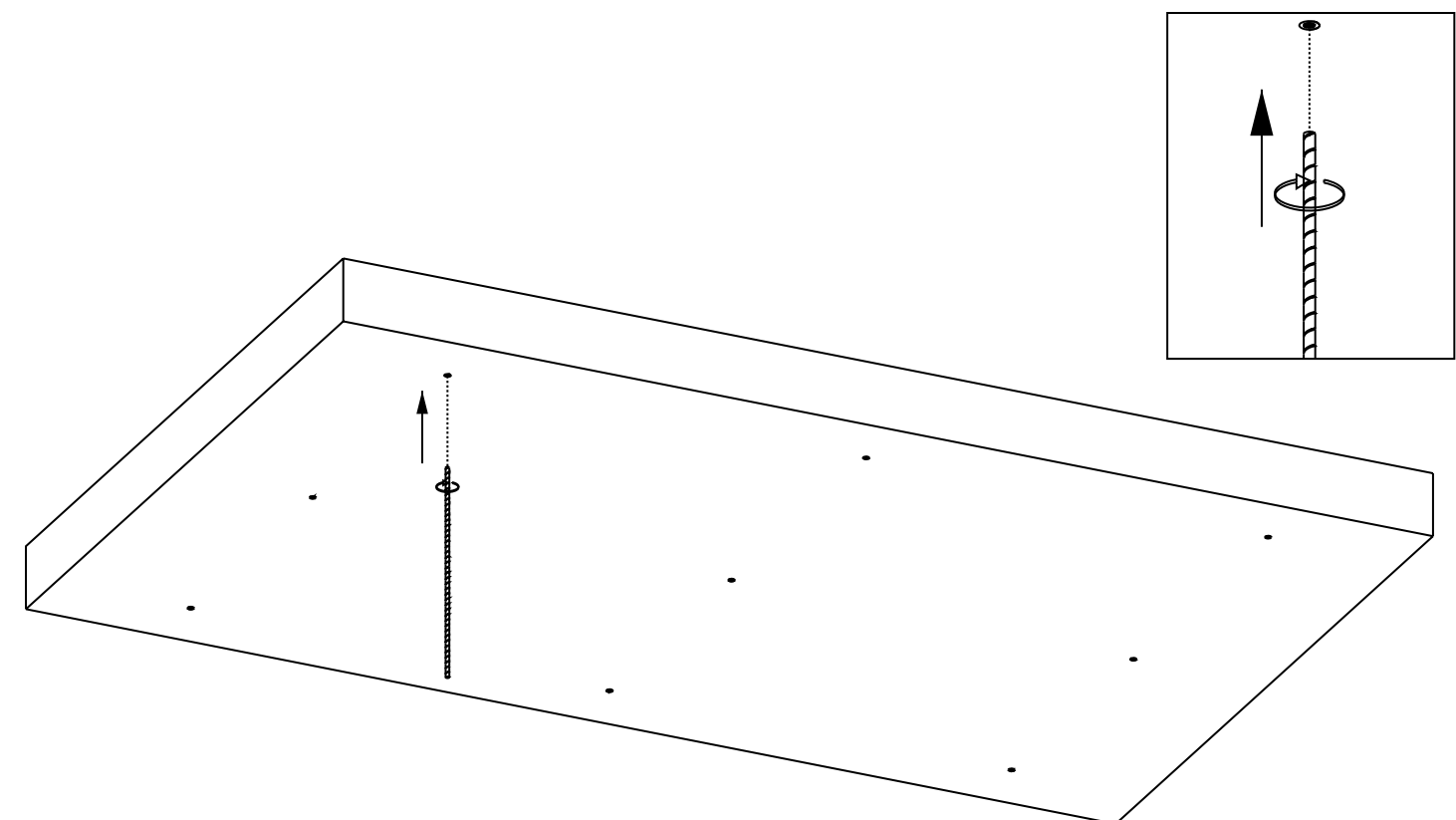
Step C:

Use a hammer rod to insert all nine fasteners into the ceiling as depicted.



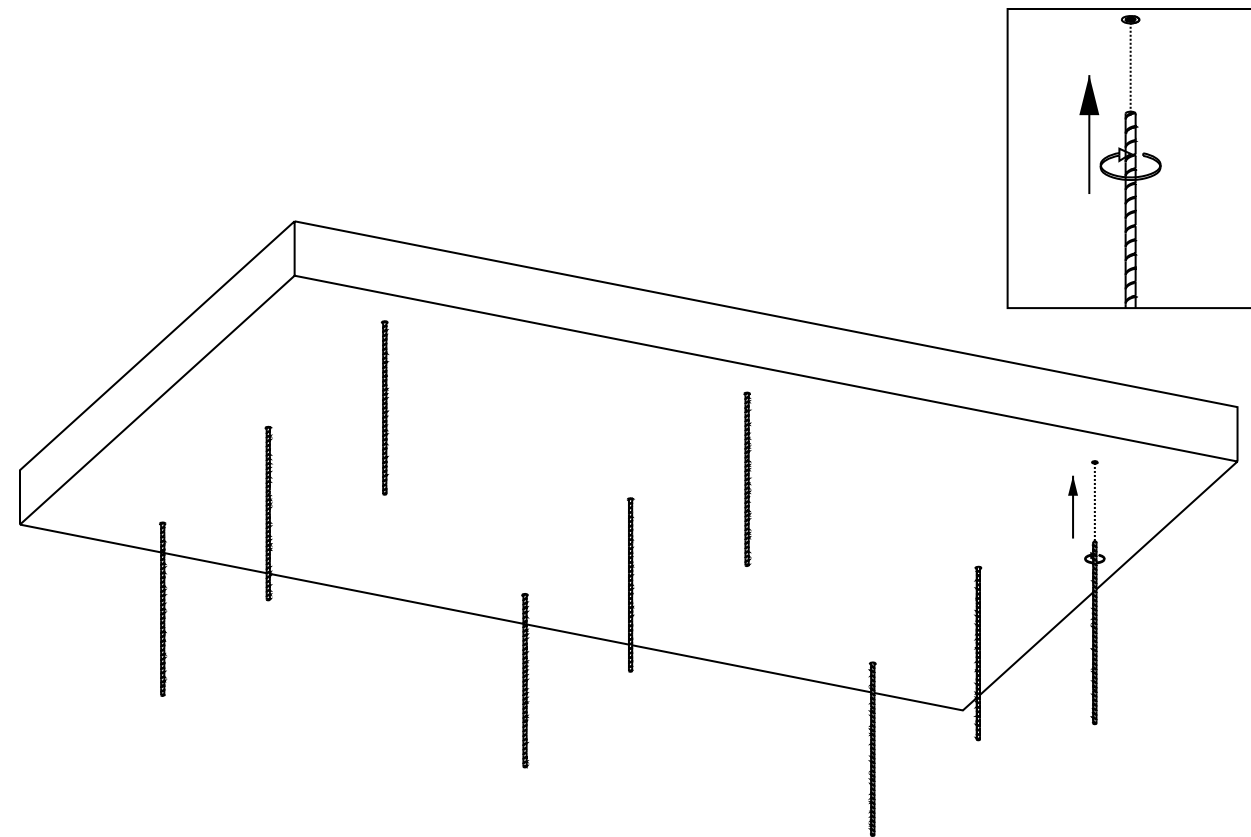
Step D:

Insert each rod by twisting it according to the arrow shown in the enlarged view.



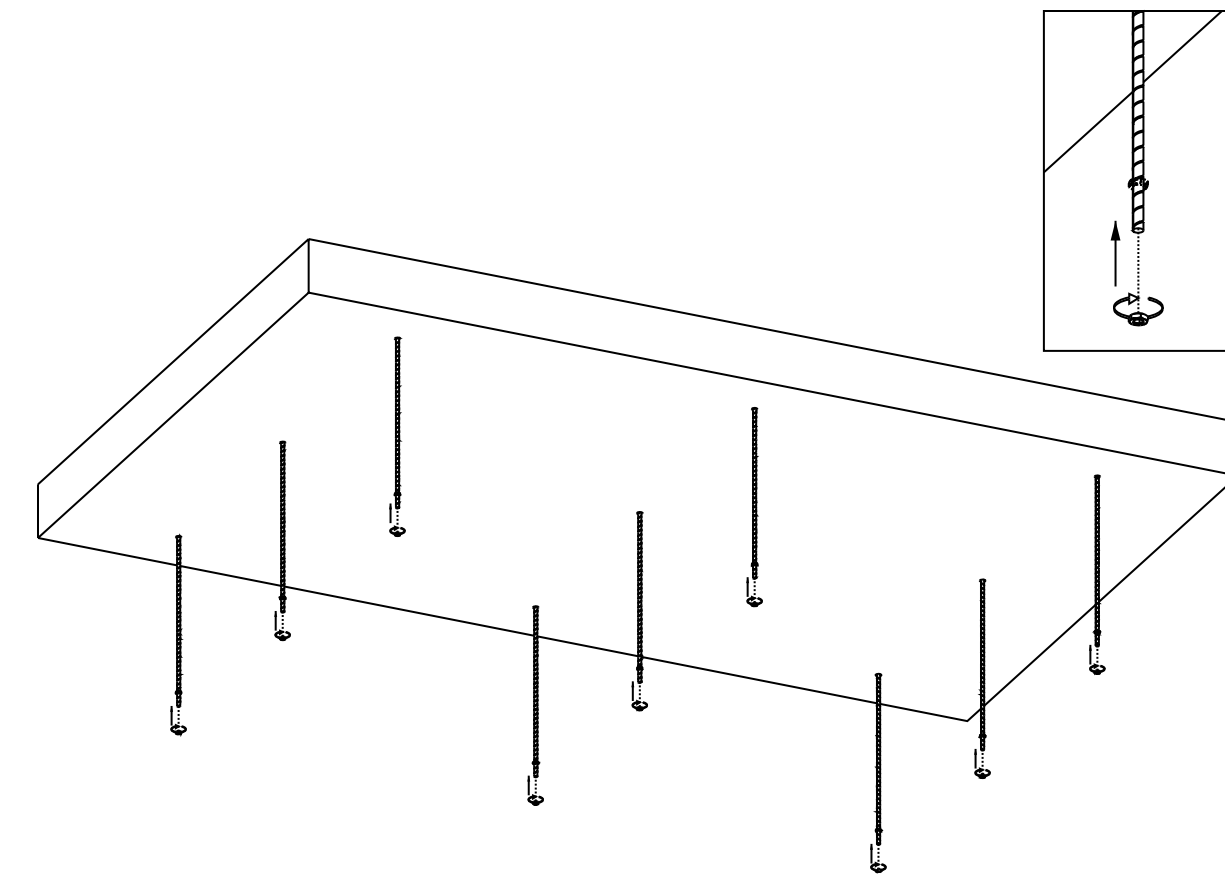
Step E:

Continue inserting all rods by twisting as indicated by the arrows.



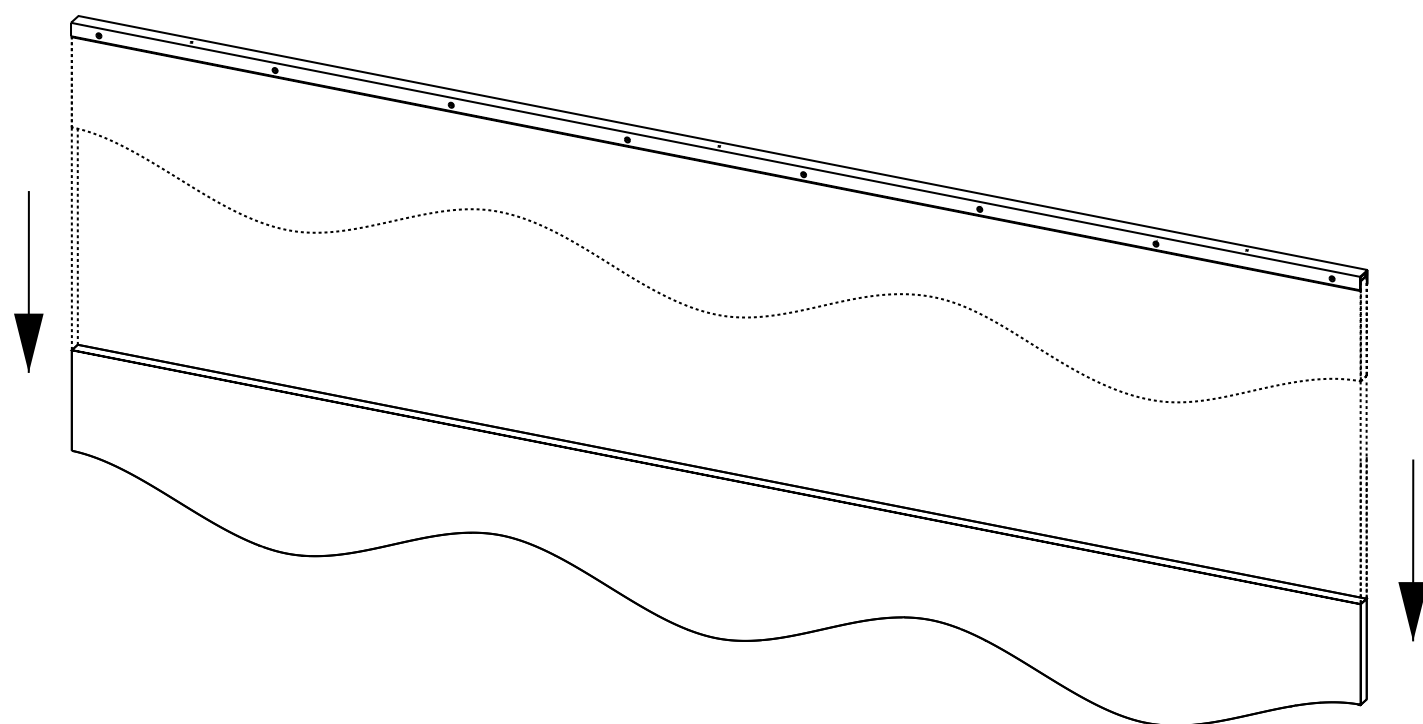
Step F:

Attach one nut per rod by twisting as shown in the enlarged view. Ensure all nuts are aligned correctly.



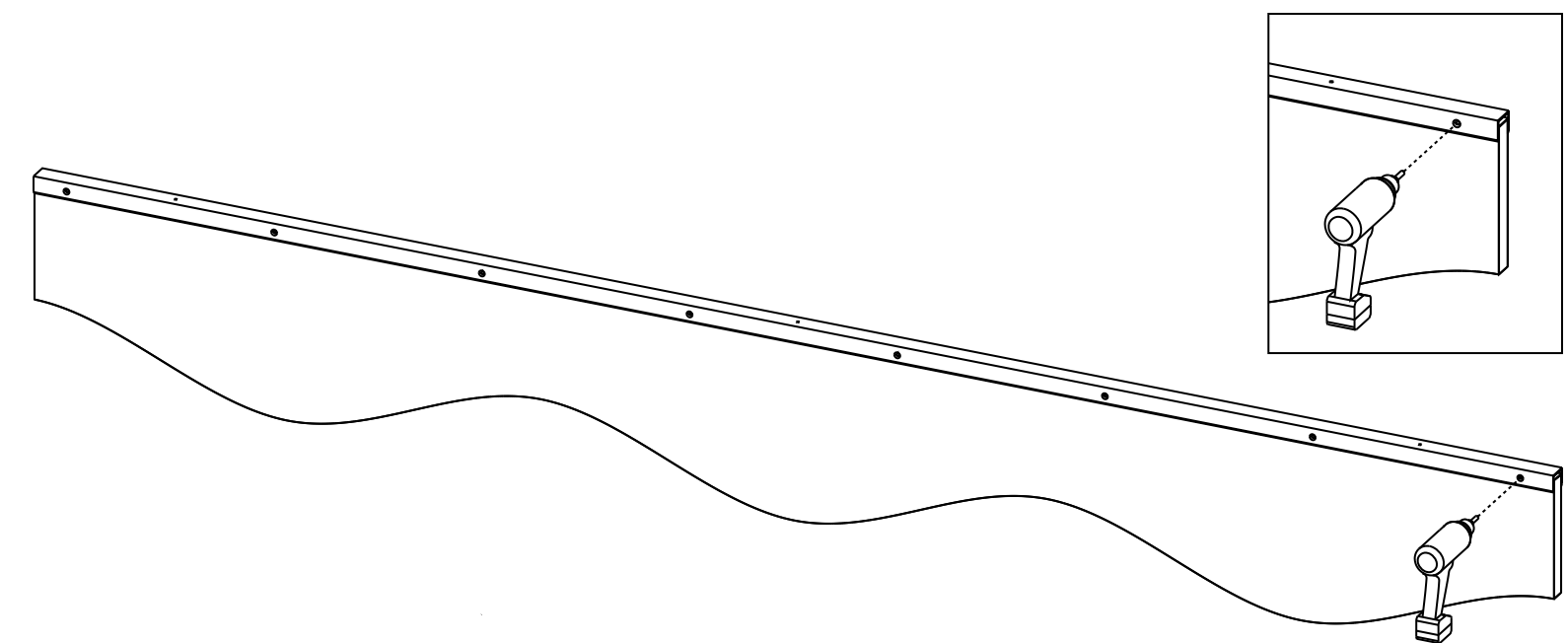
Step G:

Position the baffle sequentially and place it into the extrusion channel.



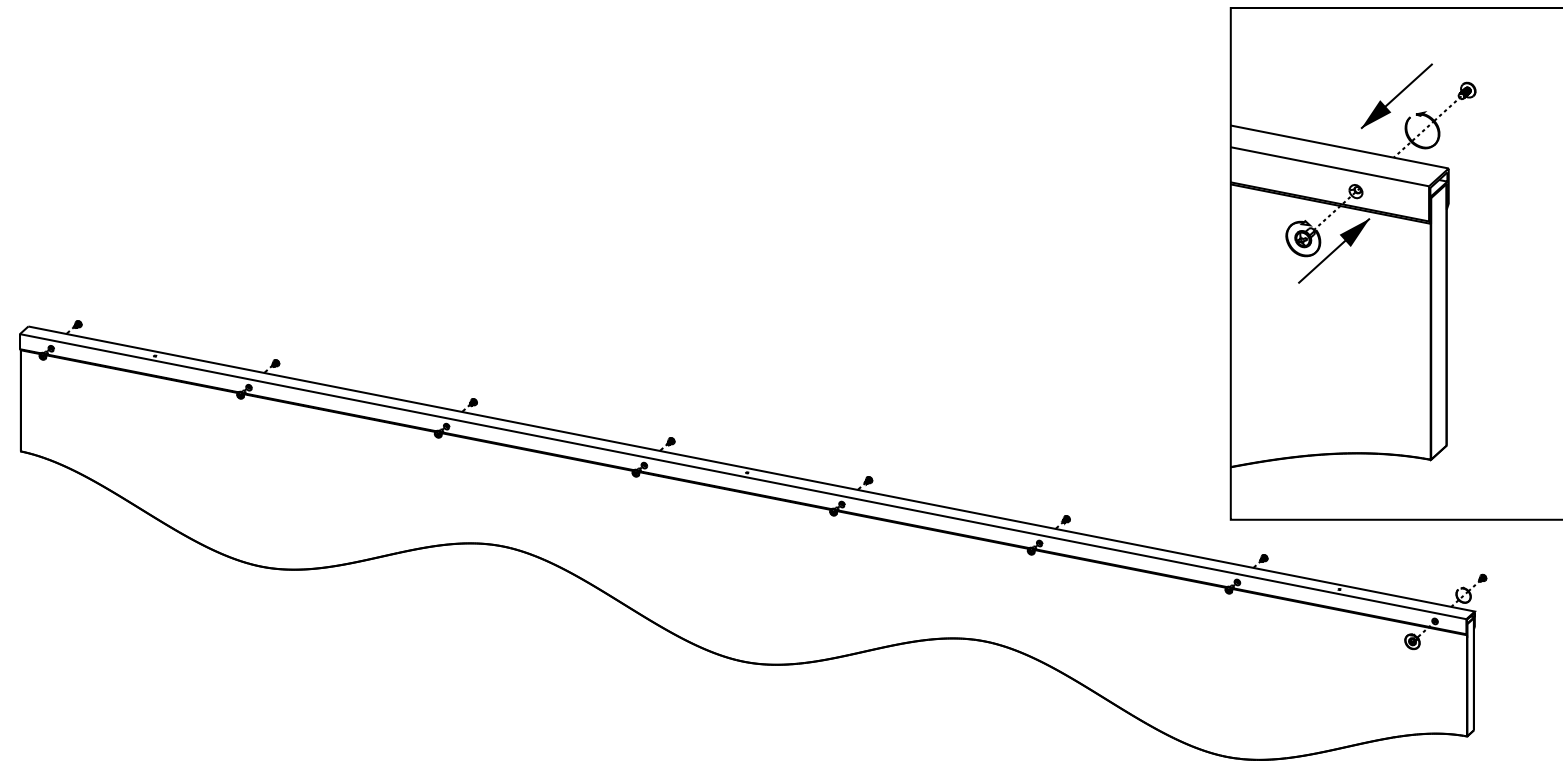
Step H:

Drill holes aligning with those in the extrusion channel.



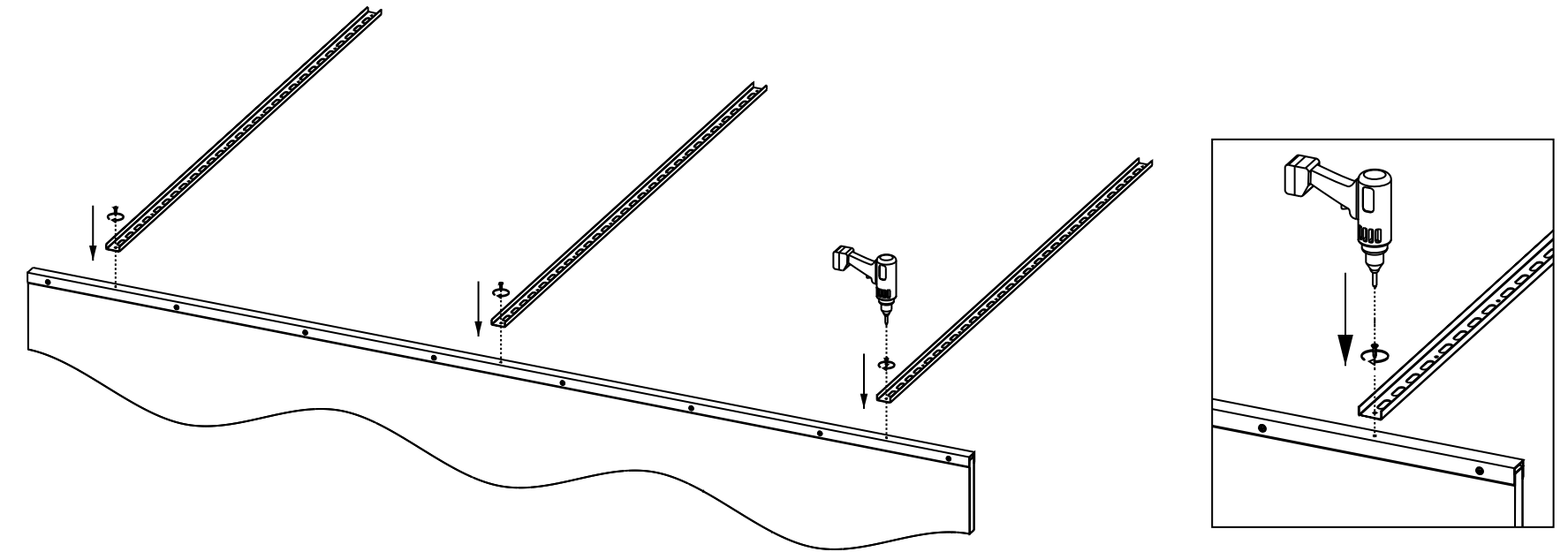
Step I:

Use male-female screws to secure all the extrusion channels and baffles together.



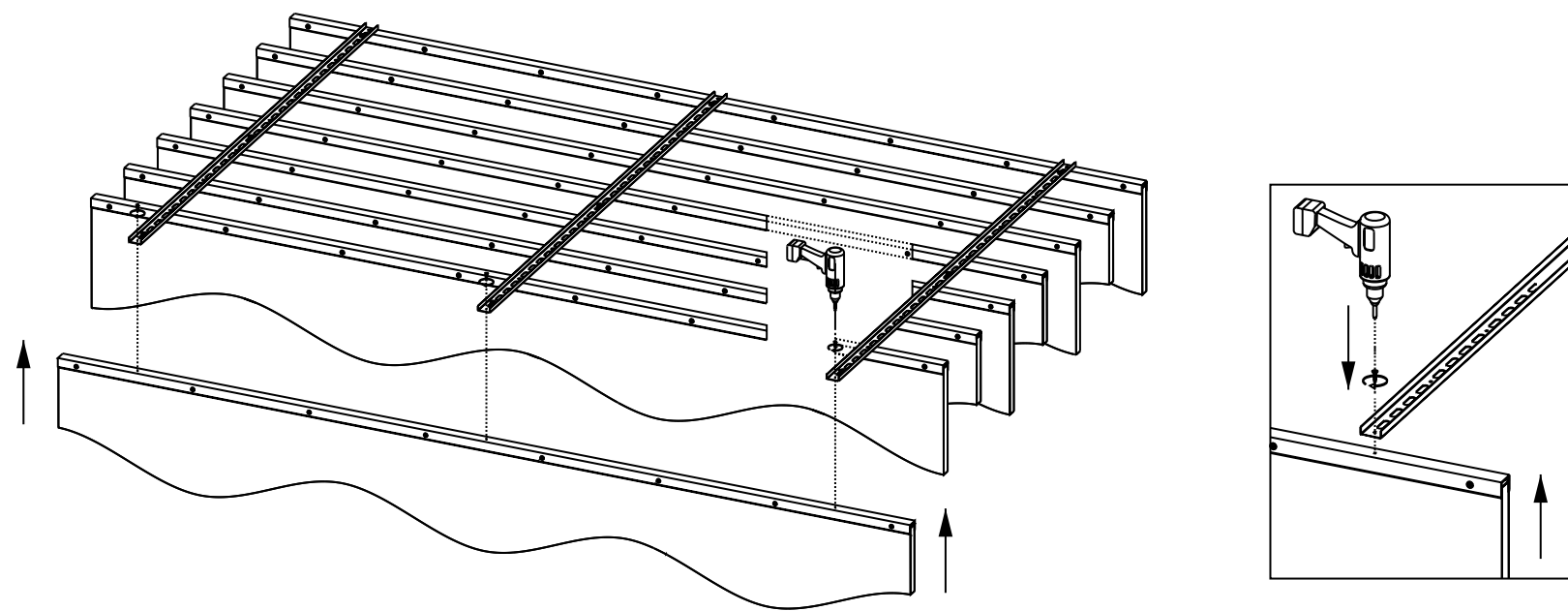
Step J:

Align the slotted channel with the holes in the extrusion channel and secure it using screws with a drill.



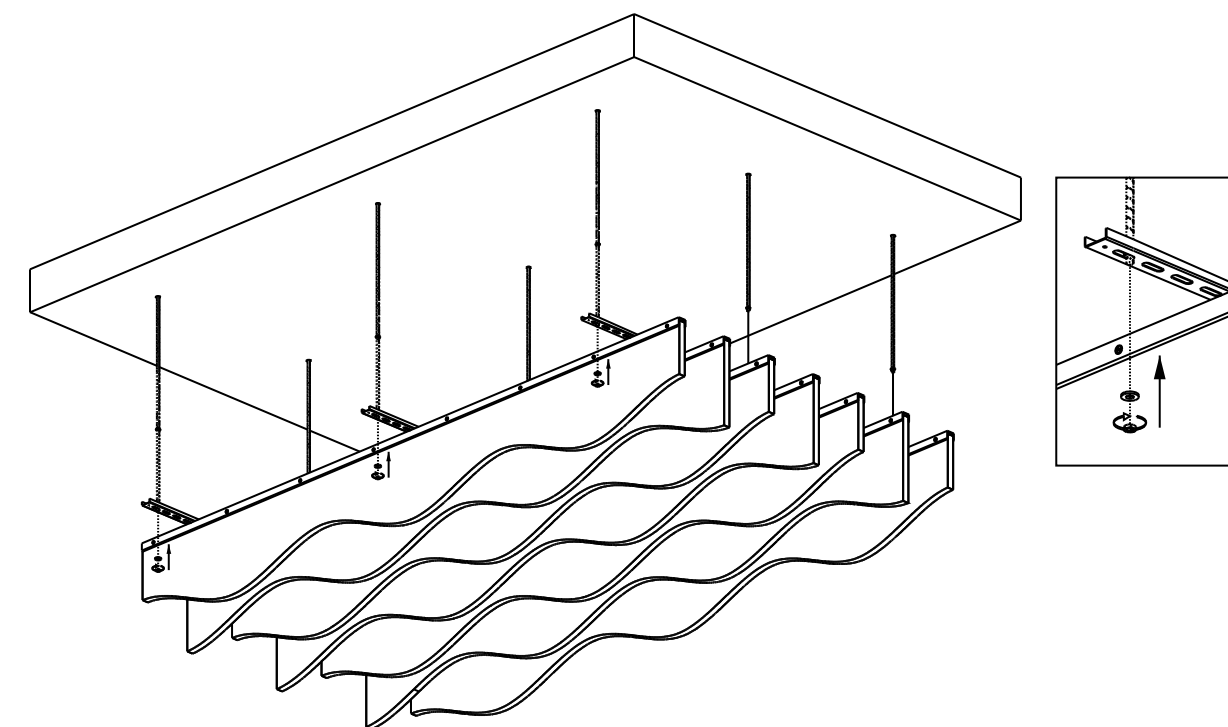
Step K:

Place the extrusion channels one by one according to the holes in the slotted channel and secure them using screws with a drill.



Step L:

First insert nine washers (one per rod) and then nine nuts (one per rod) as indicated in the enlarged view. Maintain proper alignment throughout.



 info@sensesakustik.com

 www.sensesakustik.com