



Technical Specifications

Composition

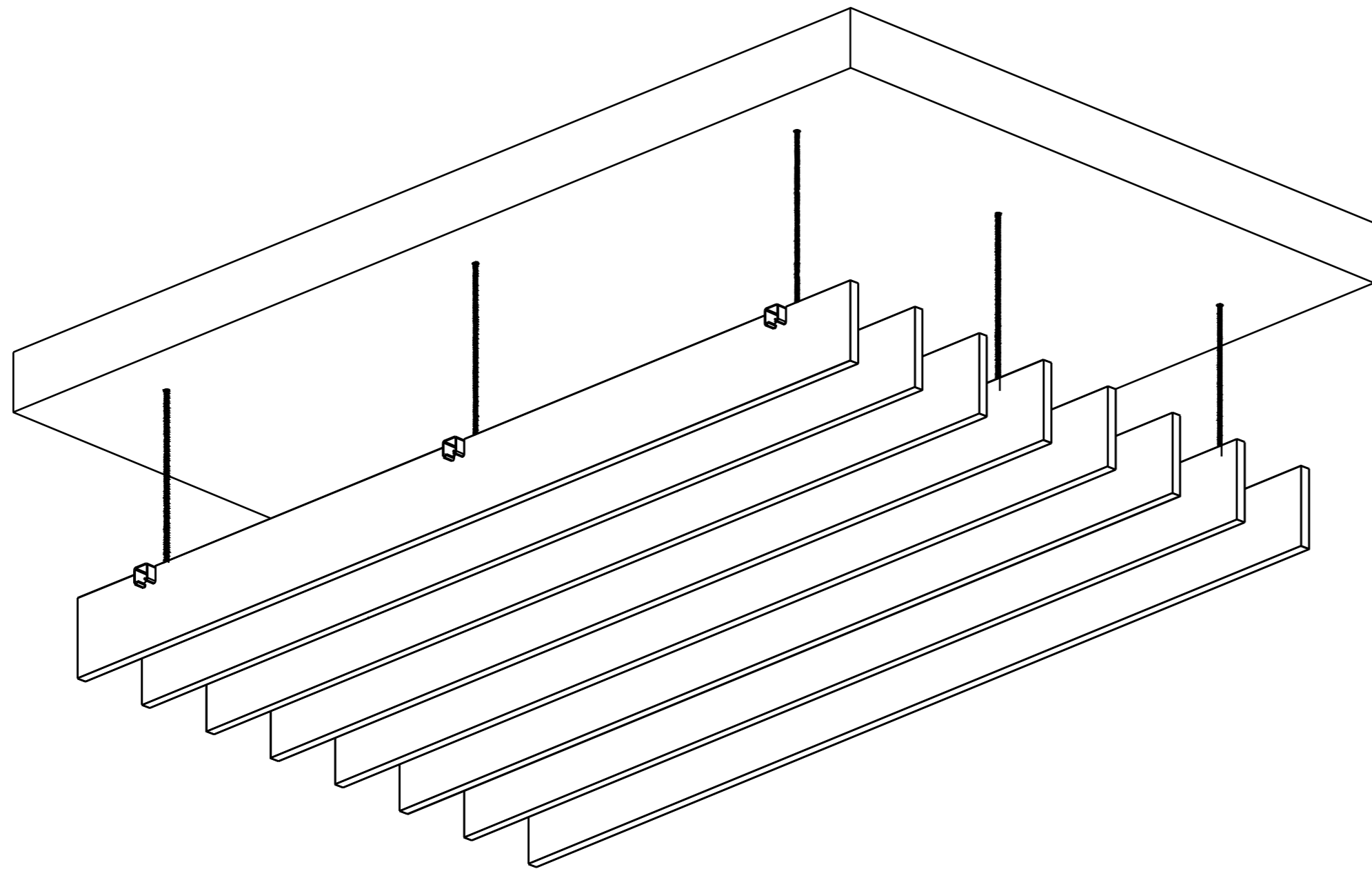
Base	100% PET (60% recycled content)
Application	Ceiling-mounted
Accessories	Suspended Channels or Clutch Wire Systems



Patterns & Dimensions

Patten 1: Linear

LINEAR BAFFLE



Dimension	2400 x 100/150/200 x 12/24/50 mm (L x H x T)
Finish	Solid Color
Installation	Op.1 Channel system Op.2 Clutch Wire System with stainless steel finish.

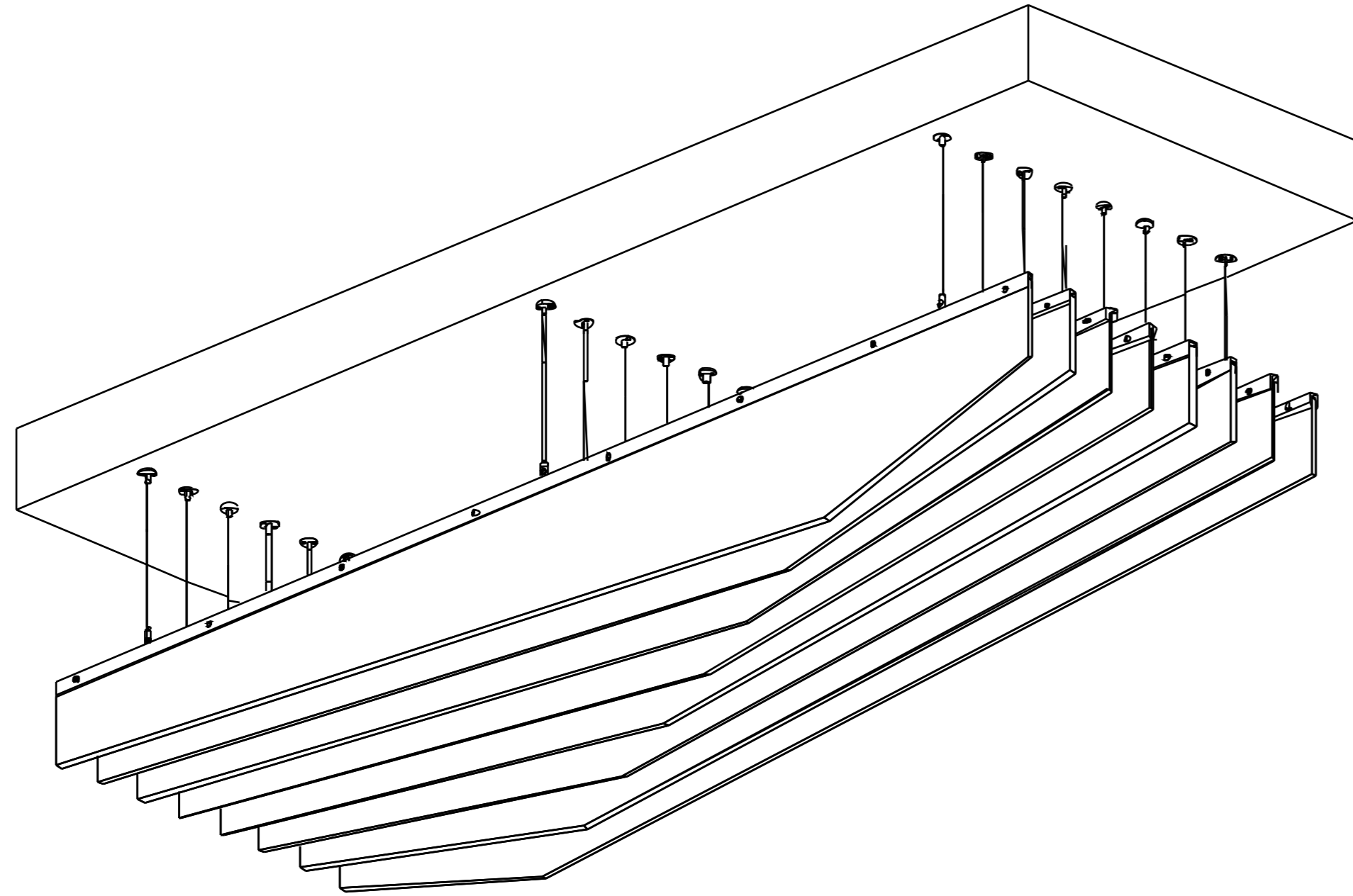
OPTION-HEIGHT

OPTION-THICKNES

	12 MM	24 MM	50 MM
OPTION-1 100.0 2400.0			
OPTION-2 150.0 2400.0			
OPTION-3 200.0 2400.0			

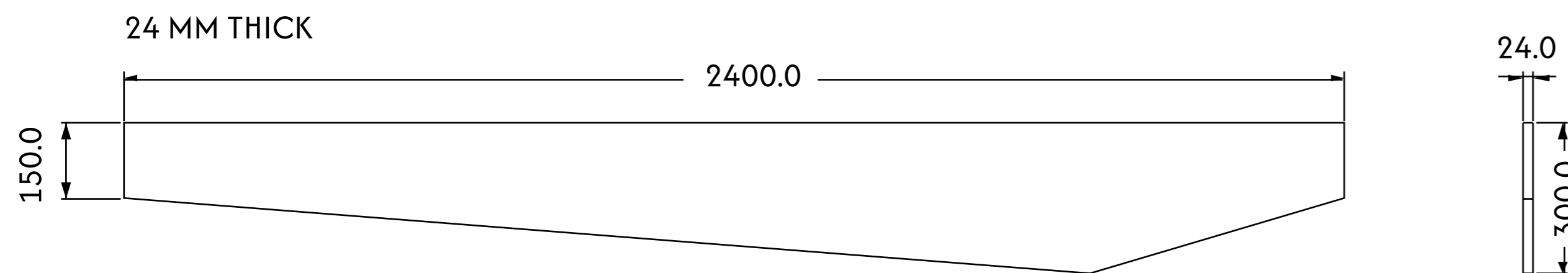
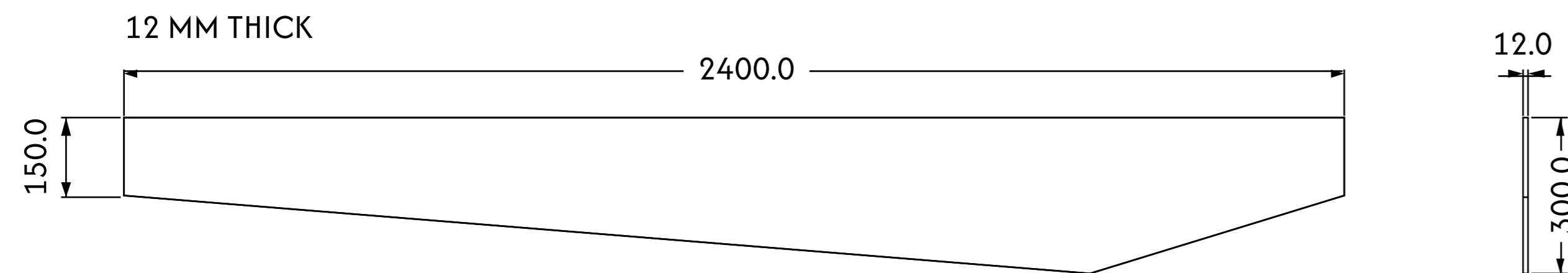
Patten 2: Echo

ECHO BAFFLE



Dimension		2400 x 300 x 12/24 mm (L x H x T)
Finish		Solid Color
Installation	Op.1	Channel system
	Op.2	Clutch Wire System with stainless steel finish.
Module	Op.1	Nos. of Baffles: 8 (1 set) C/C: 100 mm Height: 150 mm (Min.) & 300 mm (Max.) Dimensions: 2400 x 712 mm (L x W) (Single Baffle Thick-12 mm)
	Op.2	Nos. of Baffles: 8 (1 set) C/C: 100 mm Height: 150 mm (Min.) & 300 mm (Max.) Dimensions: 2400 x 724 mm (L x W) (Single Baffle Thick-24 mm)

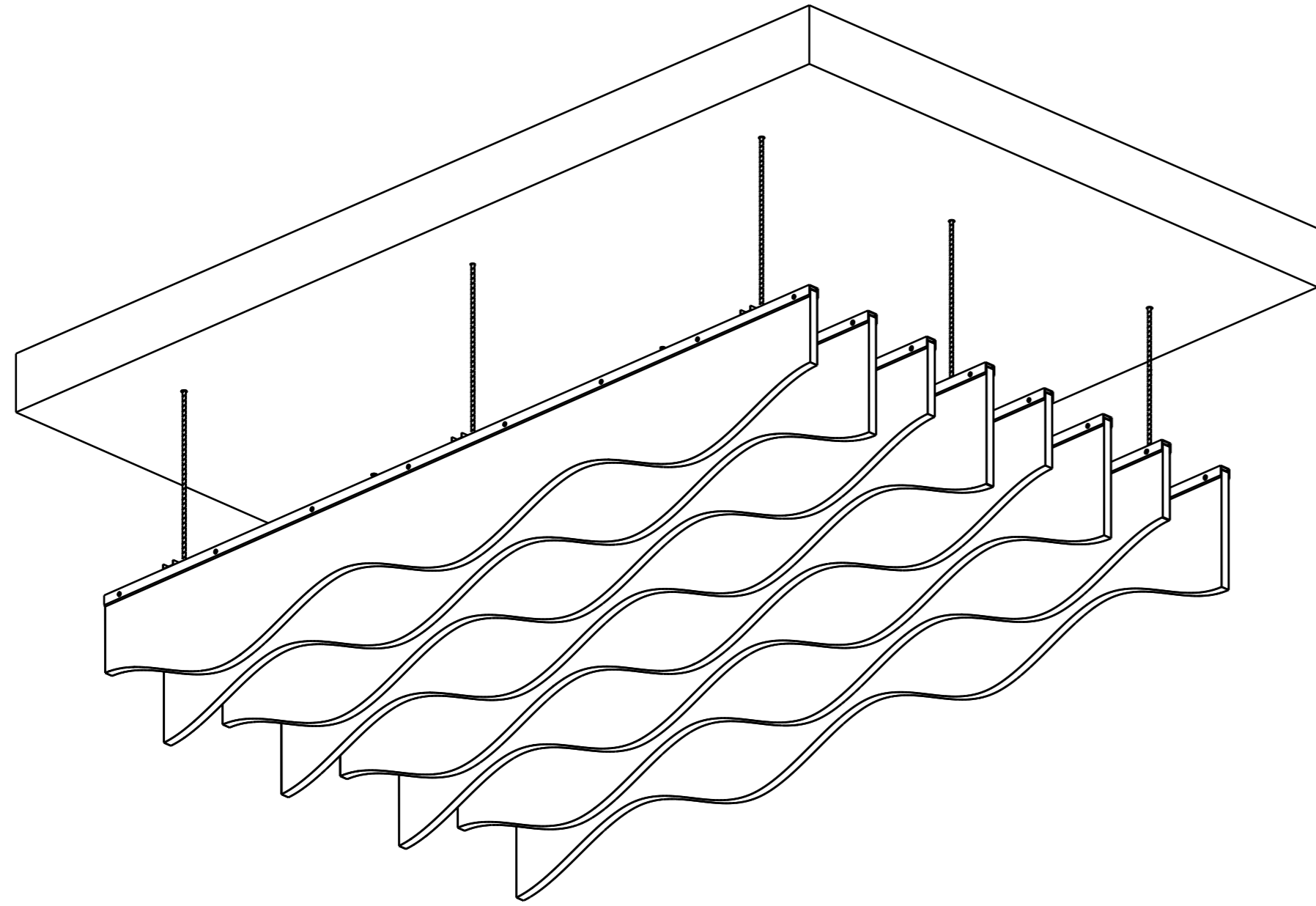
OPTION-THICKNES



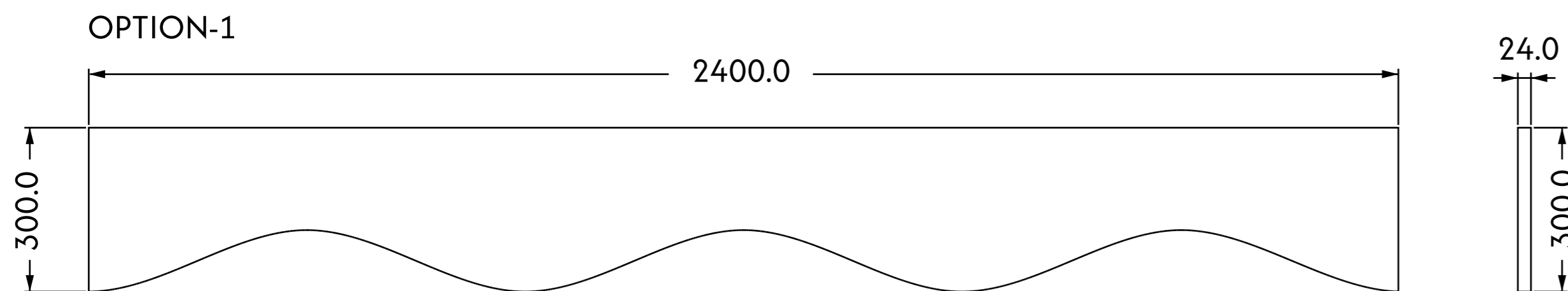
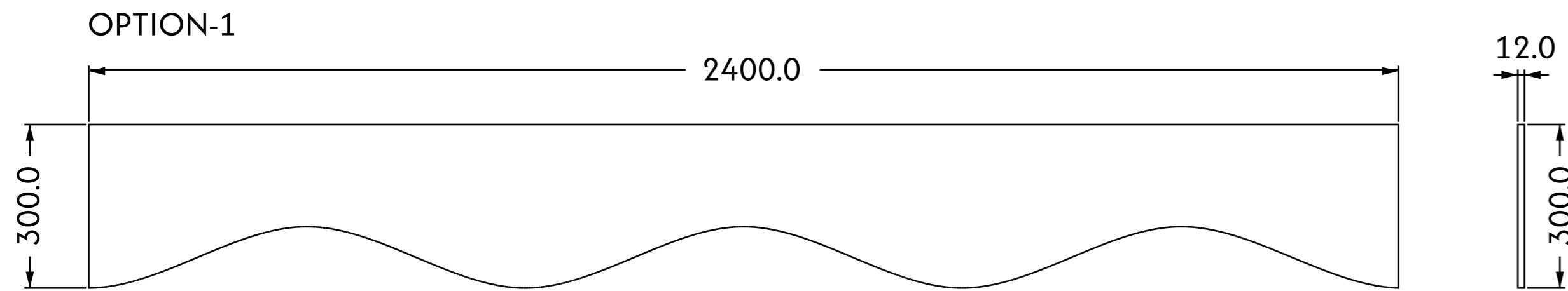
Note: All Echo baffles can be customised upon request.

Patten 3: Wave

WAVE BAFFLE



OPTION-THICKNES



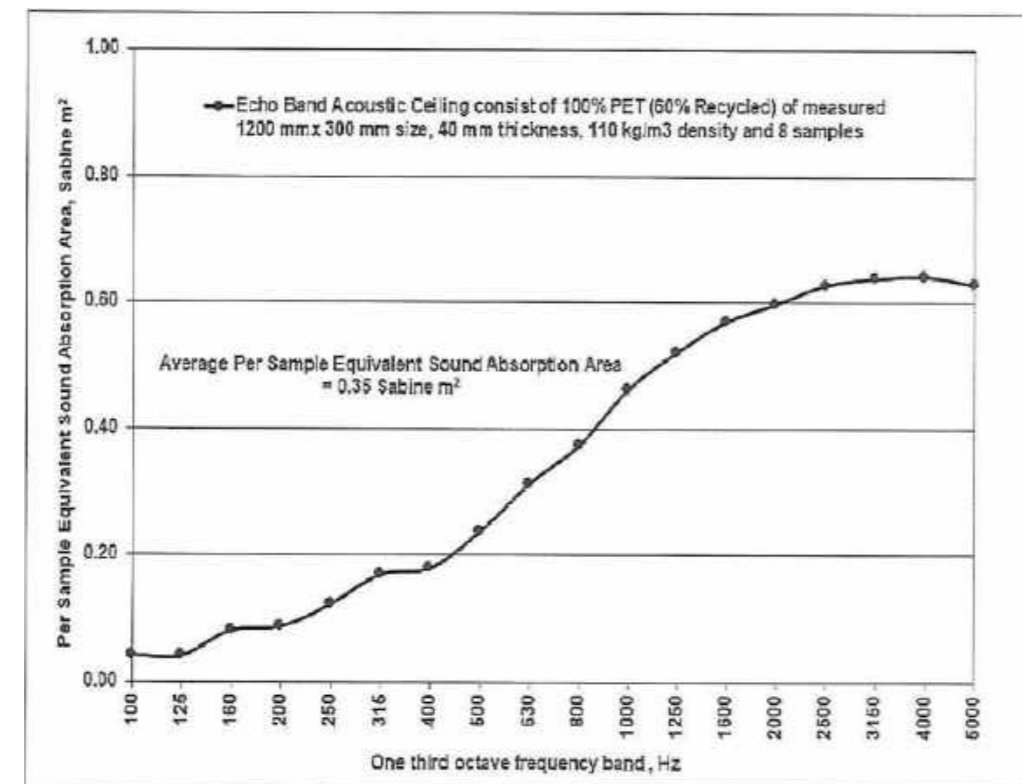
Dimension		2400 x 150/200/300 x 12/24 mm (L x H x T)
Finish		Solid Color
Installation	Op.1	Channel system
	Op.2	Clutch Wire System with stainless steel finish.
Module	Op.1	Nos. of Baffles: 8 (1 set) C/C: 100 mm Height (Min.-Max.): 75-150 mm (for 150 mm), 100-200 mm (for 200 mm), 150-300 mm (for 300 mm) Dimensions: 2400 x 712 mm (L x W) Single Baffle Thickness: 12 mm
	Op.2	Nos. of Baffles: 8 (1 set) C/C: 100 mm Height (Min.-Max.): 75-150 mm (for 150 mm), 100-200 mm (for 200 mm), 150-300 mm (for 300 mm) Dimensions: 2400 x 724 mm (L x W) Single Baffle Thickness: 24 mm

Note: Wave can be customised upon request.

Performance

Acoustic Properties:

ASTM C423 | NRC: 0.35 Sabine m² (Average value of sound absorption)



Fire Resistance:

ASTM E84- 2021 | Flame Spread Index: Class 1 or A |
Smoke Developed Index: Class 1 or A
BS EN 13501-1:2018 | Classification: B – s1, d0 |
Result: Pass (No flaming or afterglow)
AS/NZS 1530.3:1999 | Flame Spread Index: 0 |
Smoke Index: 2

VOC Emissions

CDPH Standard Method v1.2 | Section 01350 –
Low-emitting materials for schools and offices

Sustainability

Certifications & Compliance:

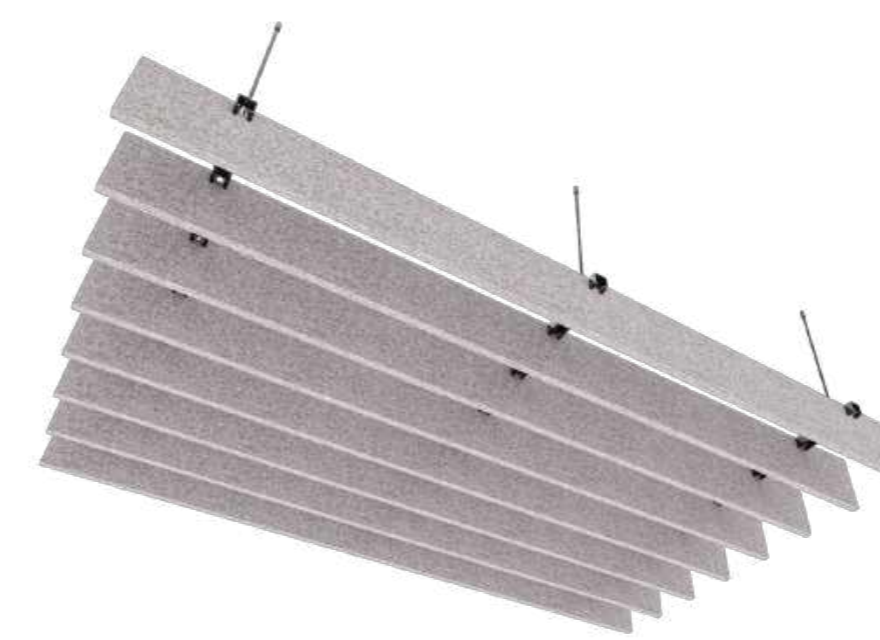
- LEED v4: Supports EQ Credit (Low-Emitting Materials)
- Certified Low VOC materials
- EPD & HPD certified
- Declare Label compliant
- USGBC LEED compliant



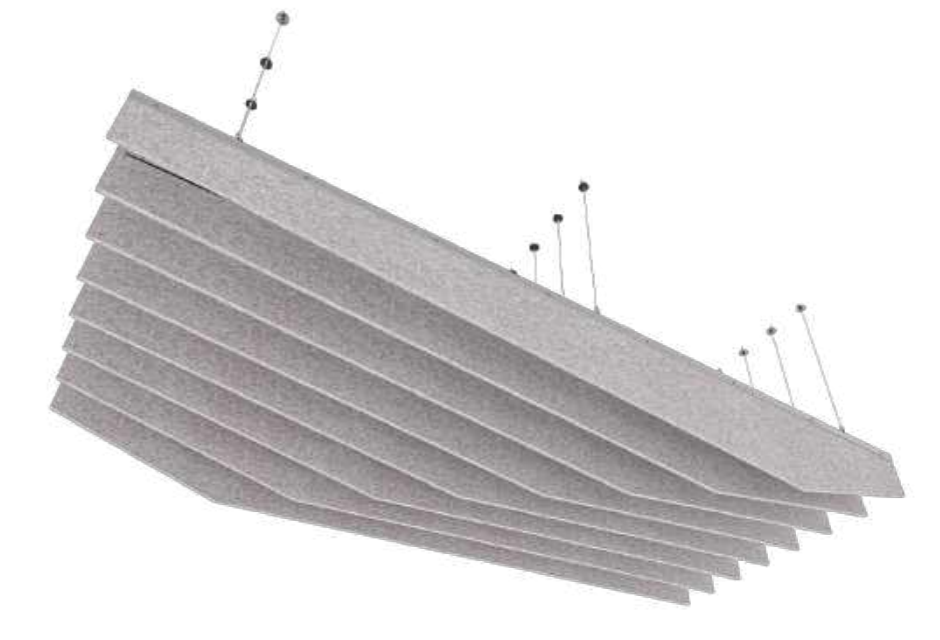
Declare.



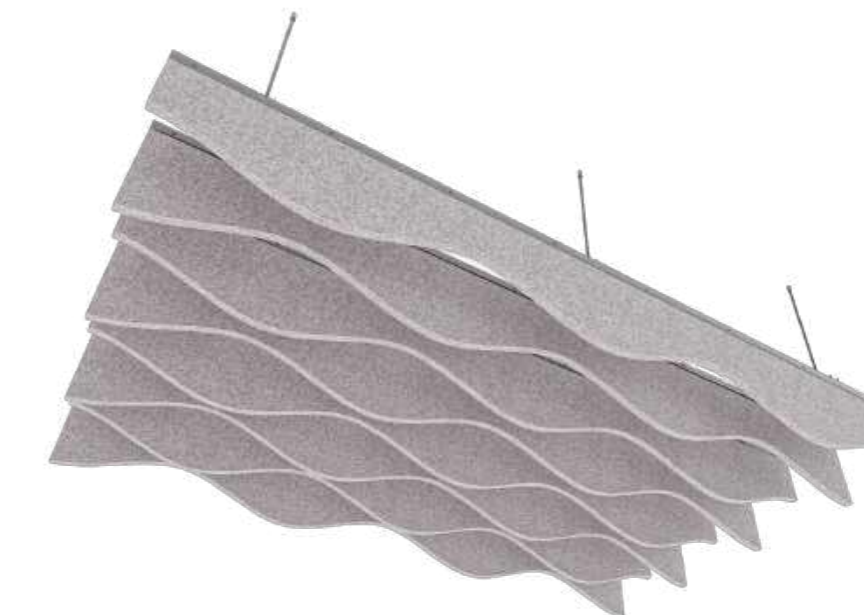
Variants



Linear

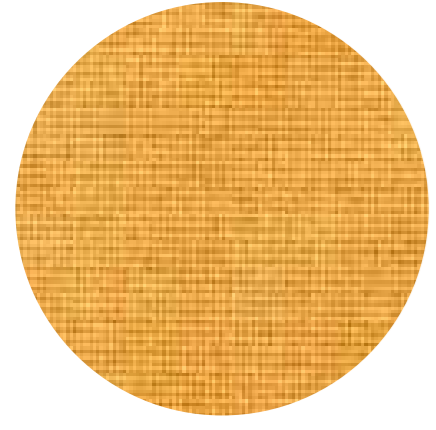


Echo



Wave

COLORLINE



Composition	100% PET (60% Recycle Content)
Thickness	12 mm ($\pm 10\%$), 24 mm ($\pm 10\%$)
Flammability	Class 1 or A (ASTM E84)
Smoke Development Index	288 (ASTM E84)

