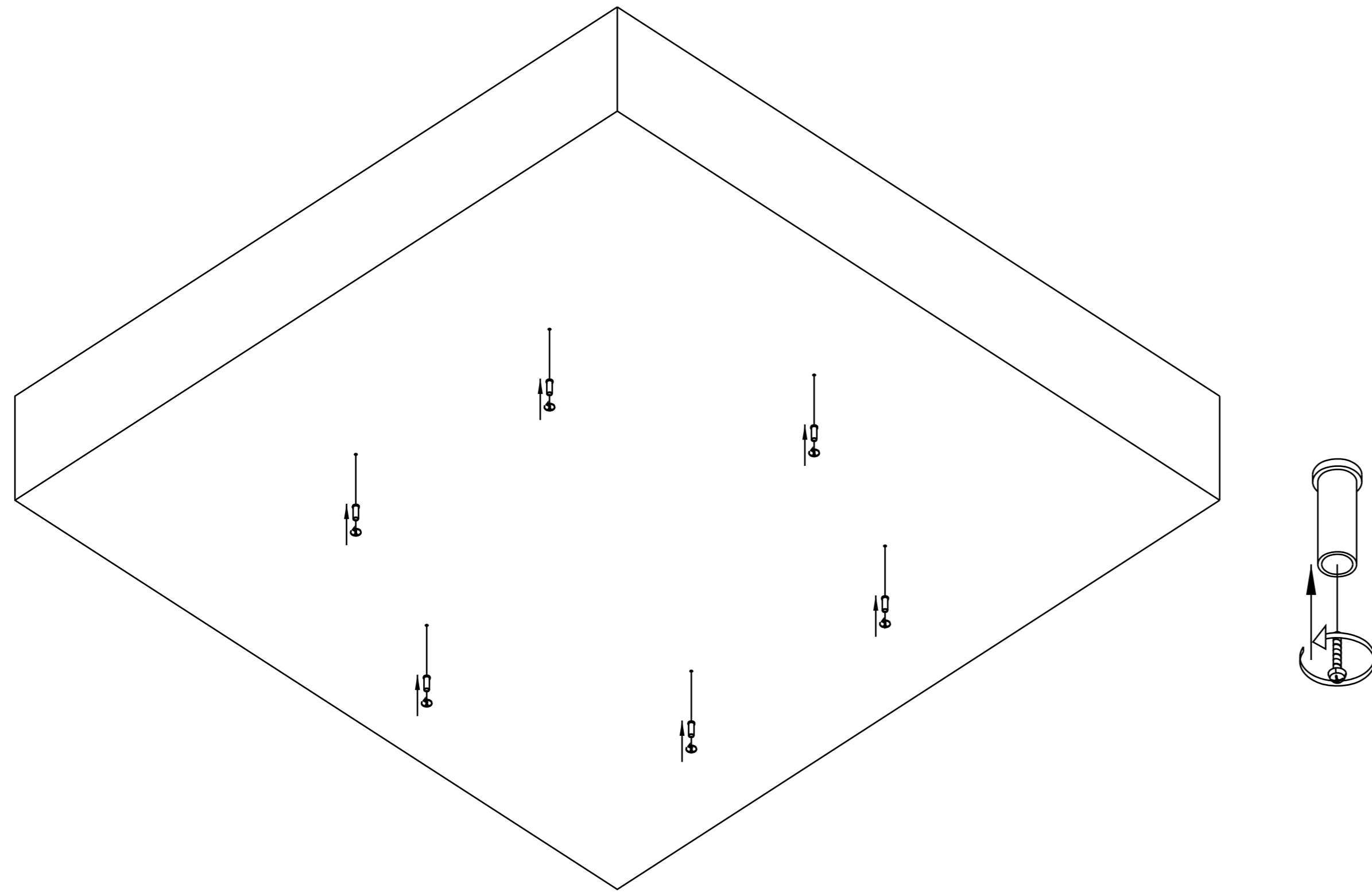




# Installation Steps

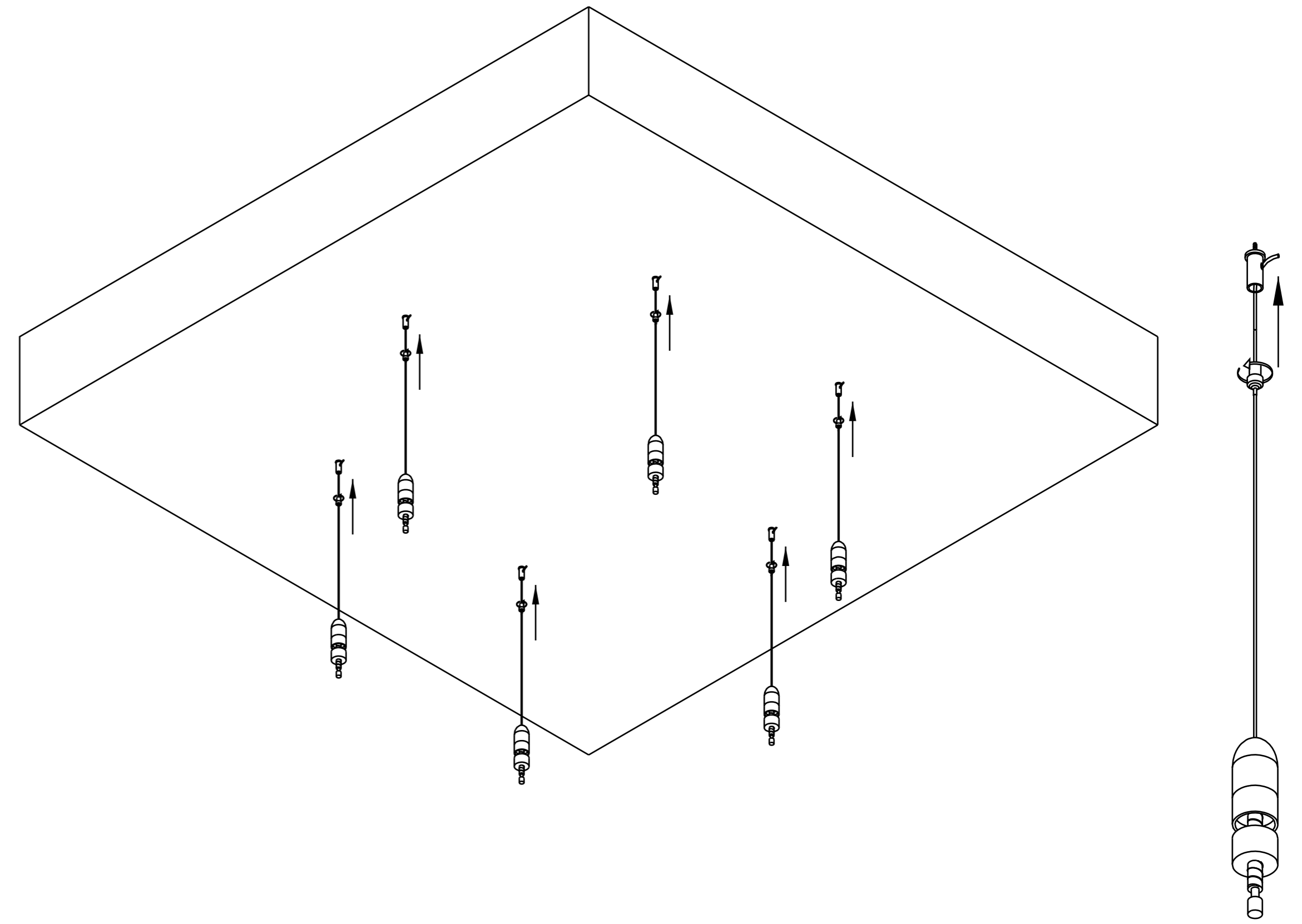
## Step A:

Secure and fasten the ceiling hardware as per the measurements.



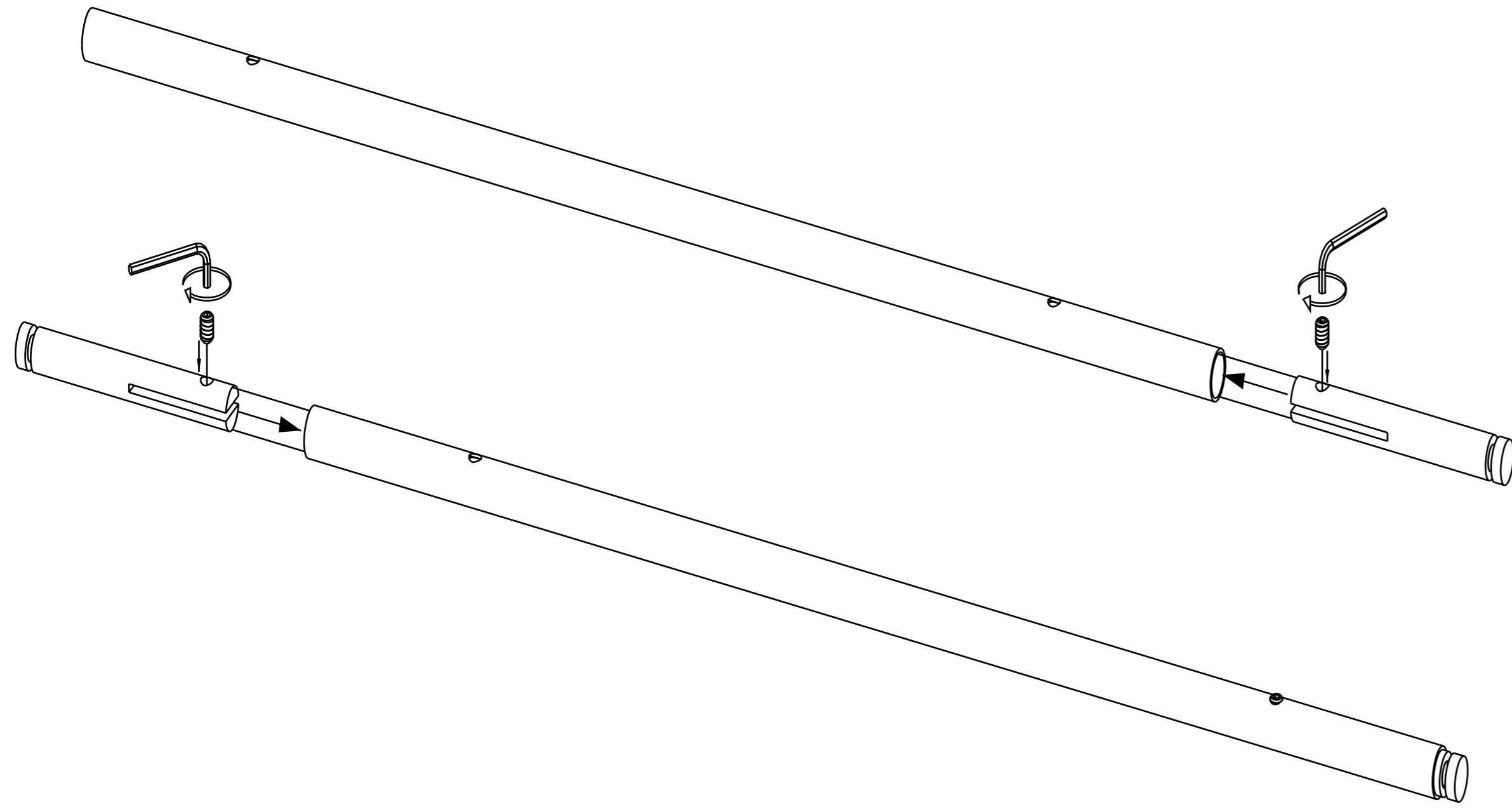
## Step B:

Attach the clutch wire and bracket hardware to the ceiling fixture..



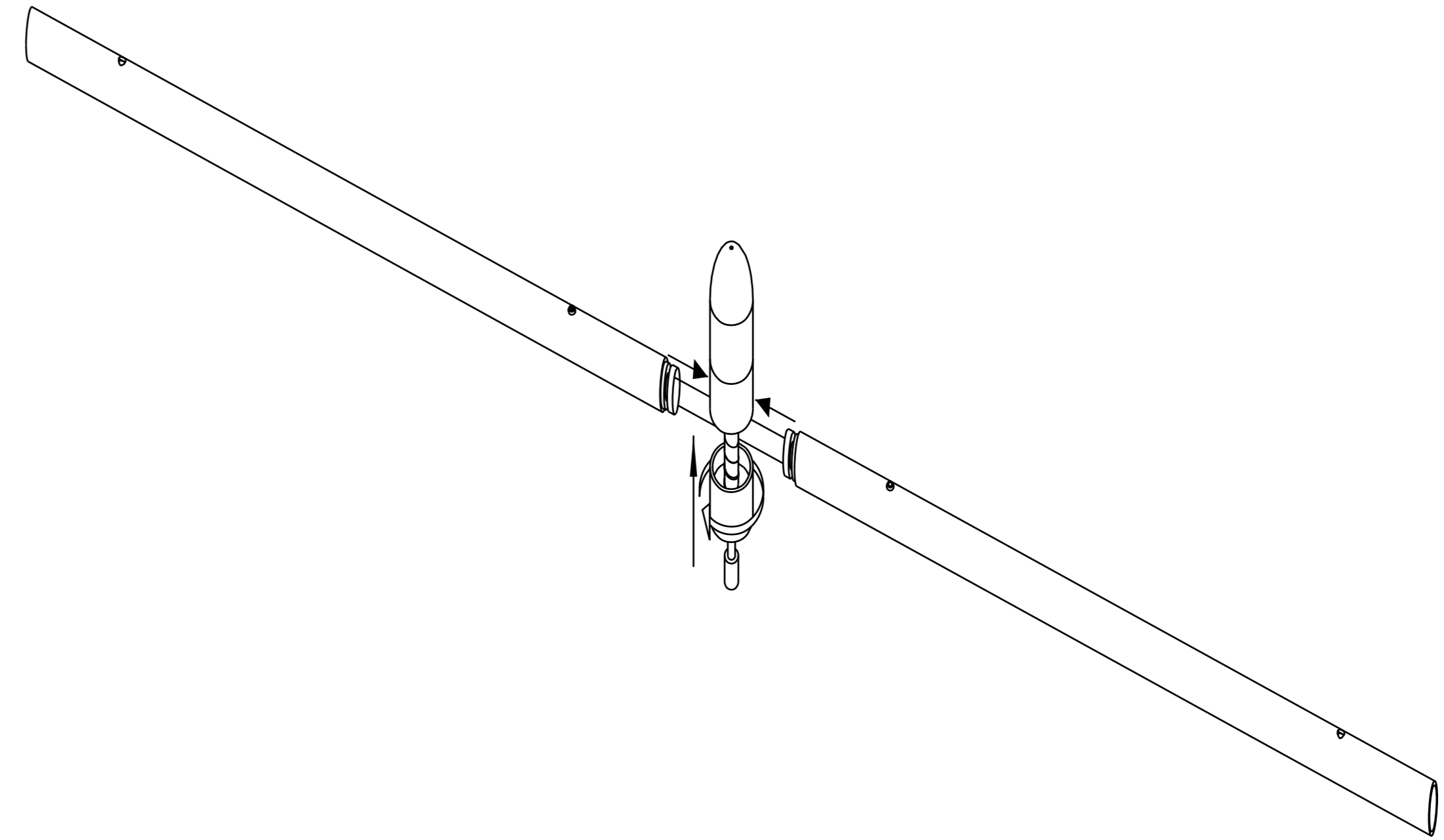
### Step C:

Fasten the bracket rod to the fixing hardware with a grub screw.



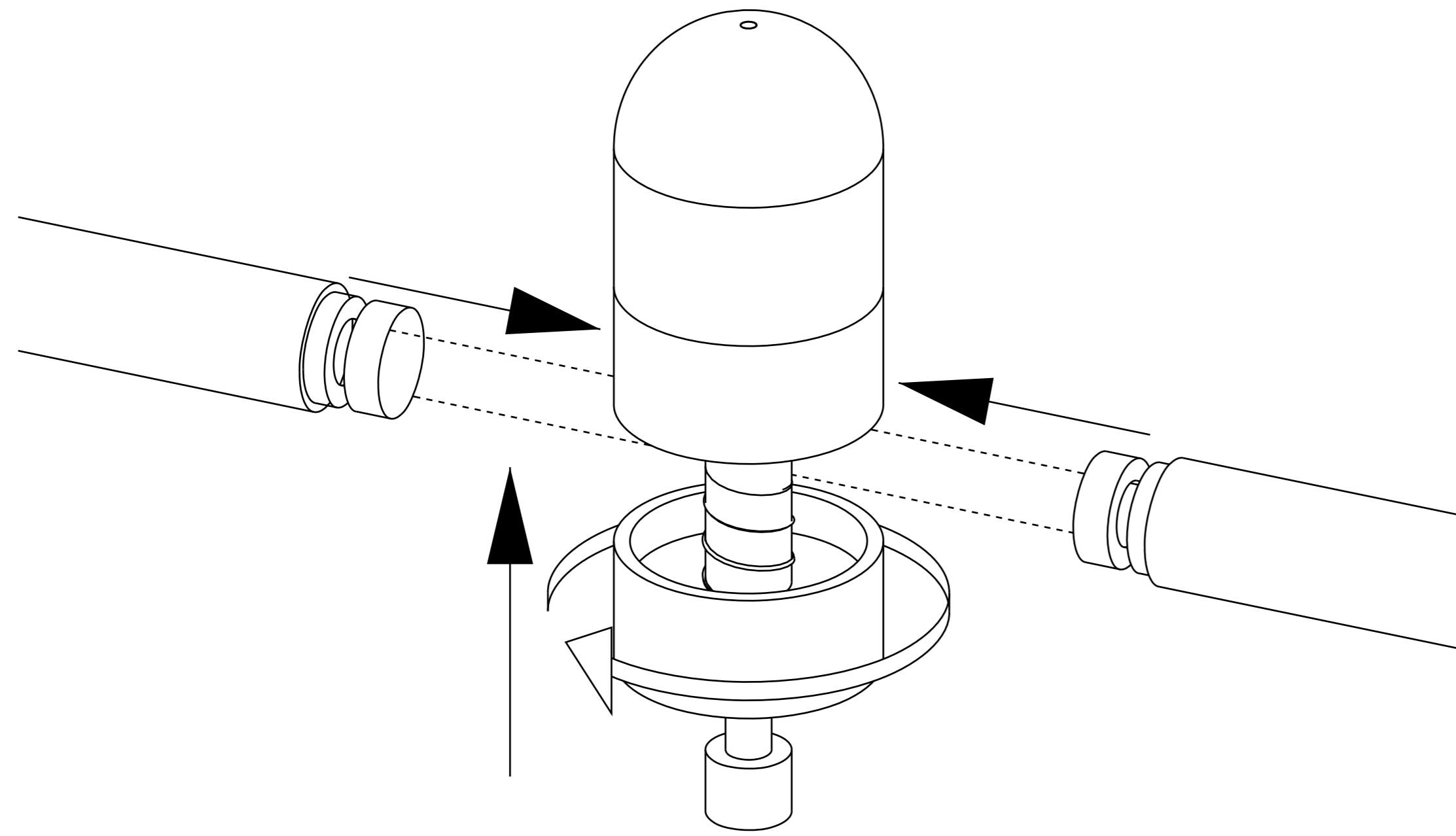
### Step D:

Insert the rod into the bracket mounting kit.



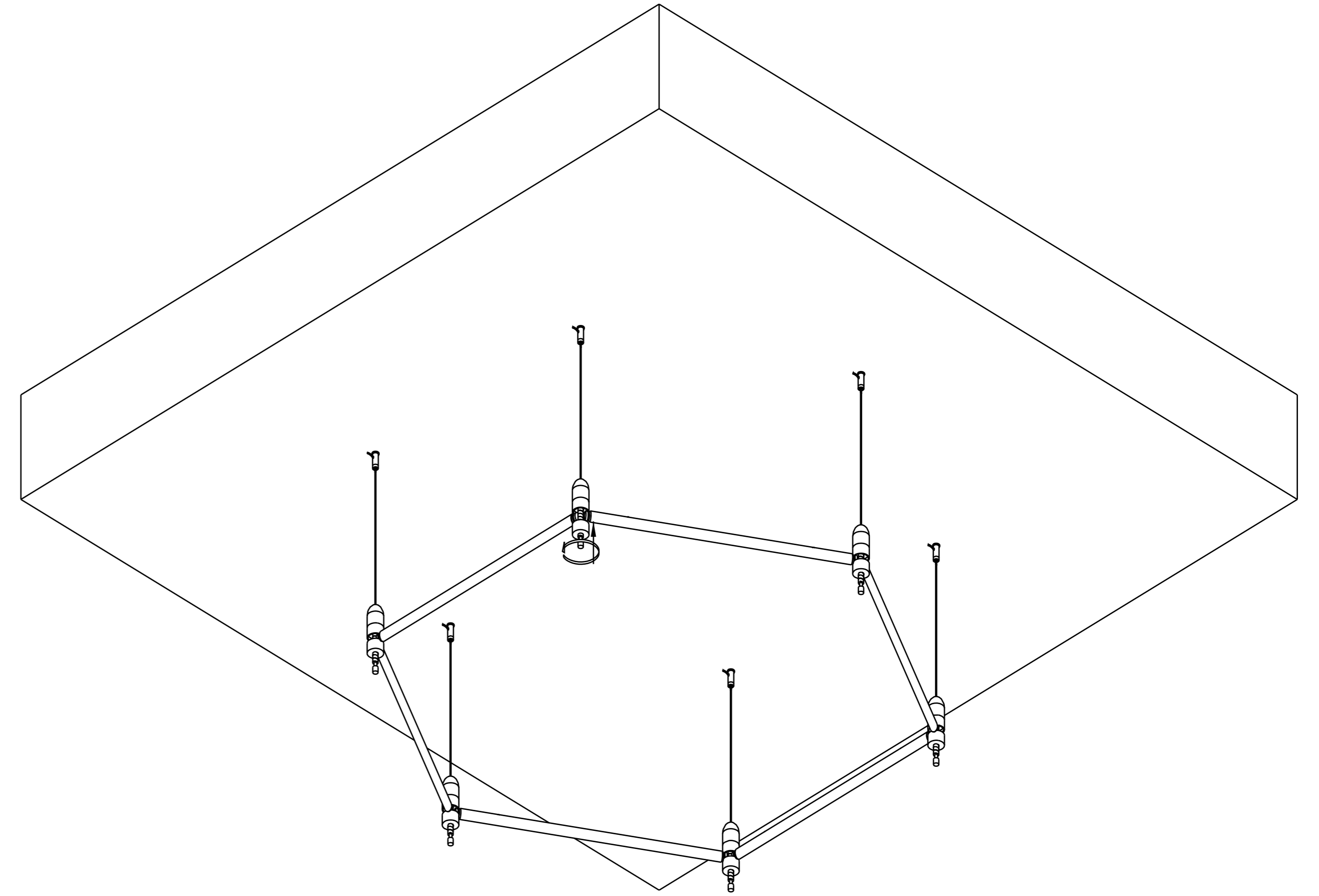
**Step E:**

Rotate the cap to lock the rod in place based on the design module.



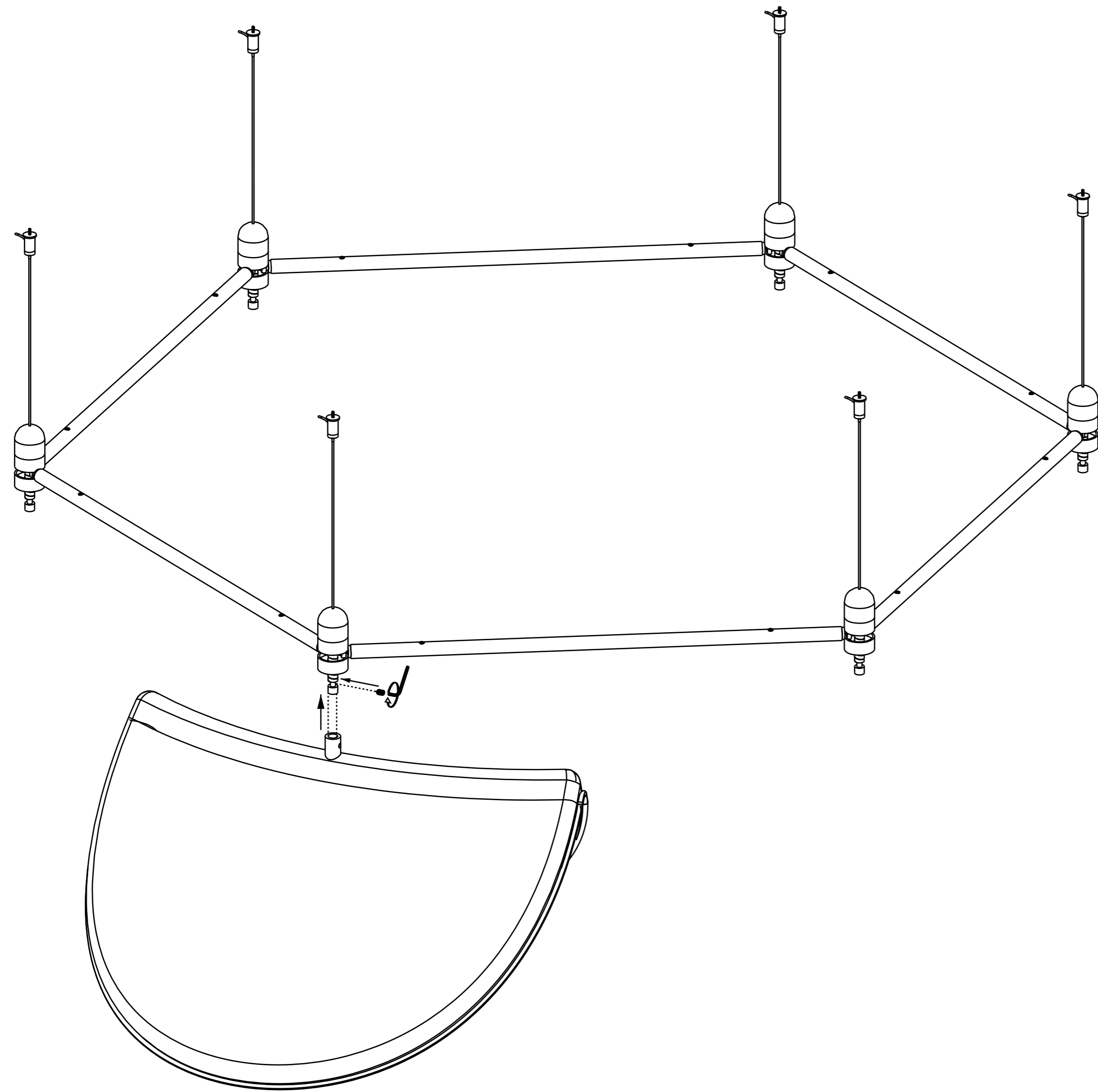
**Step F:**

Ensure the entire bracket mounting kit is securely fixed as per the design module.



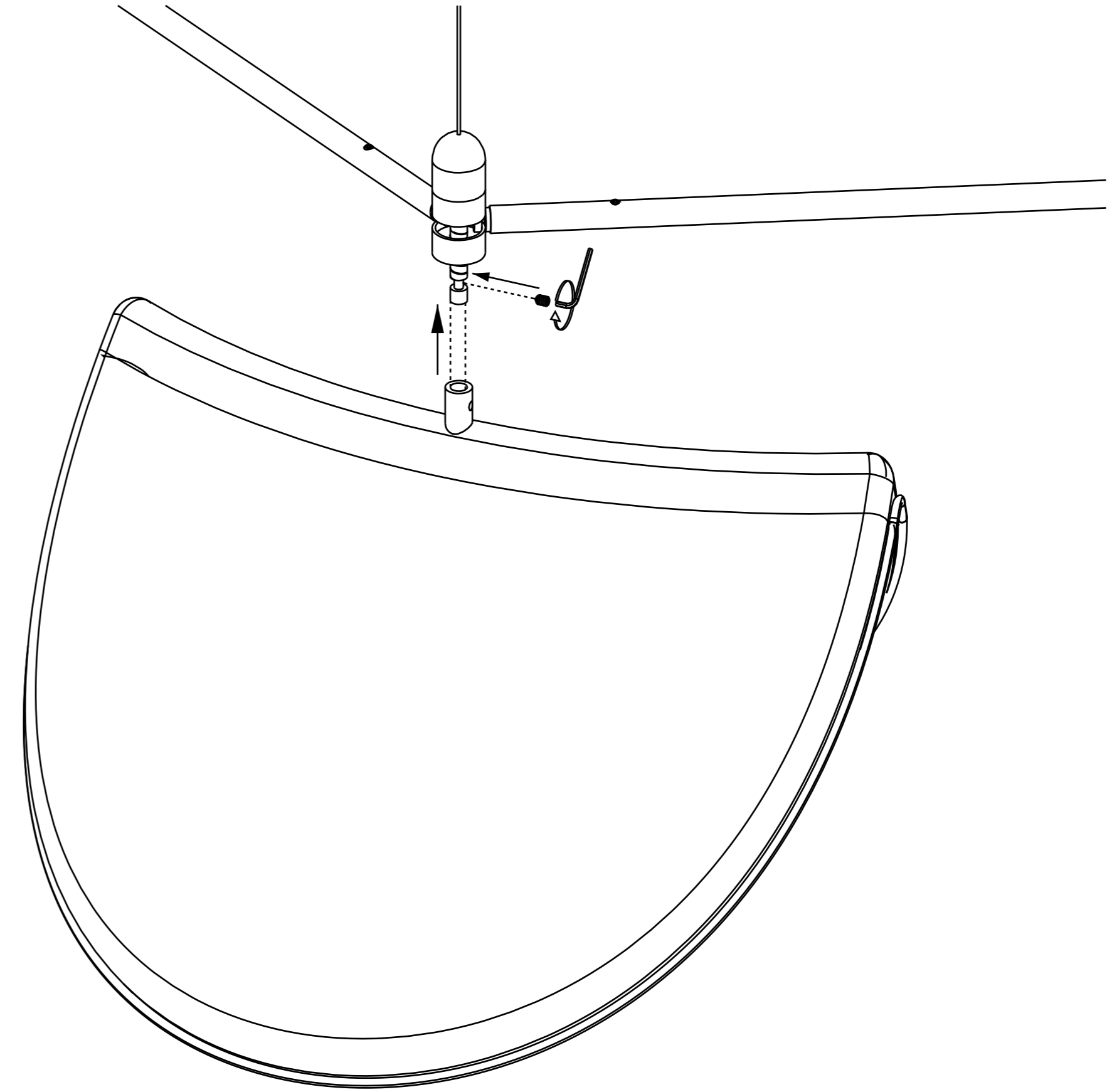
### Step G:

Insert the module into the mounting hardware and tighten the grub screw with the Allen key.



### Step H:

Use this close-up view to locate positioning of the grub screw inside the module hardware.



 [info@sensesakustik.com](mailto:info@sensesakustik.com)

 [www.sensesakustik.com](http://www.sensesakustik.com)