



Technical Specifications

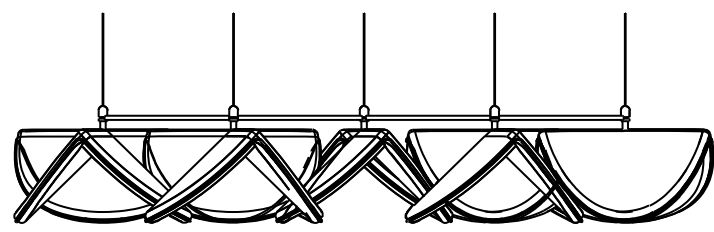
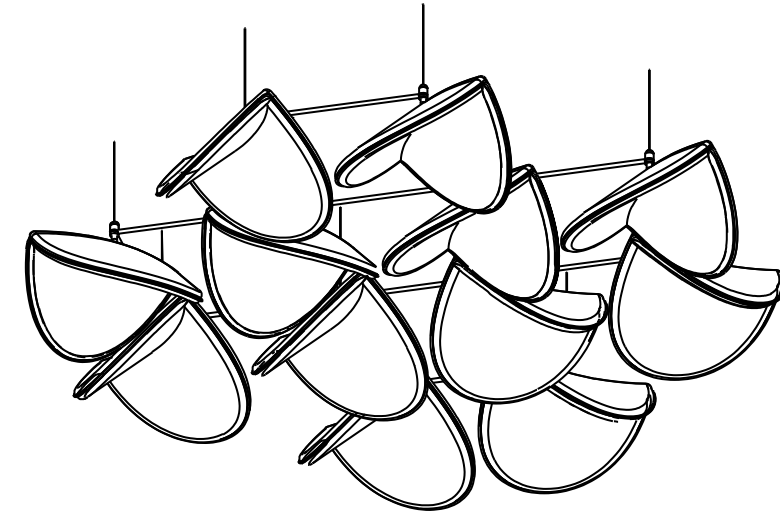
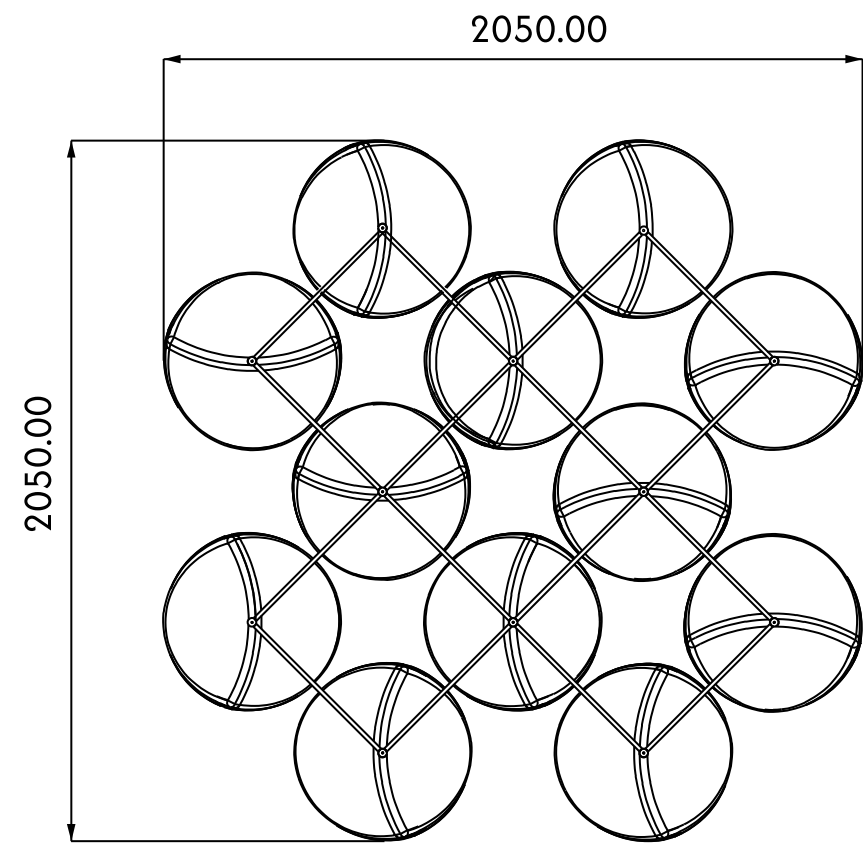
Composition

Base	Plywood
Core	Acoustic Foam (Polyurethane)
Finish	Fabric
Application	Ceiling-mounted
Accessories	Stainless Steel & Clutch Wire Systems



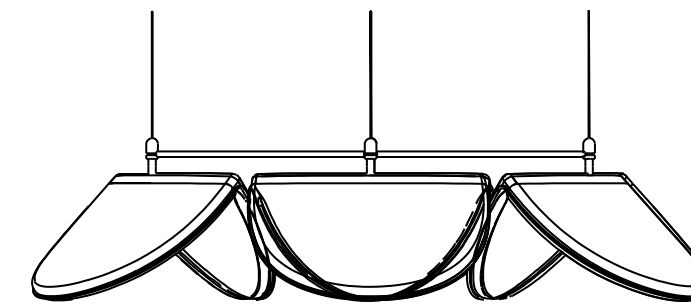
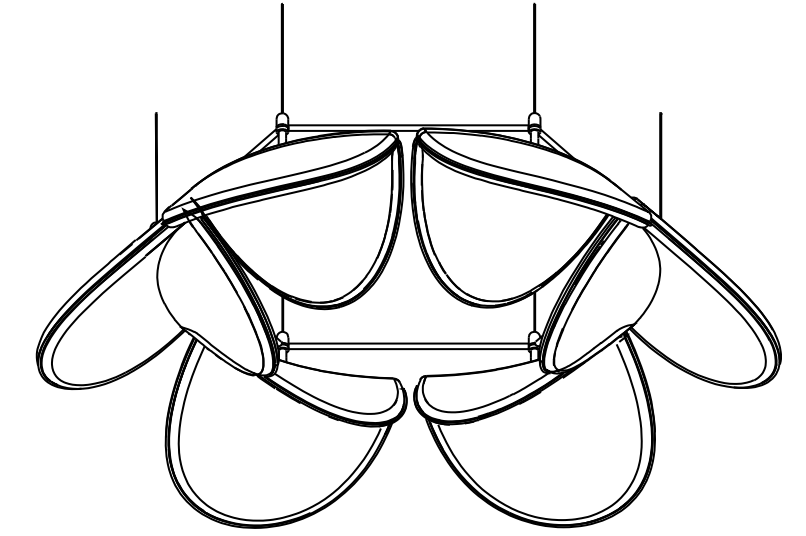
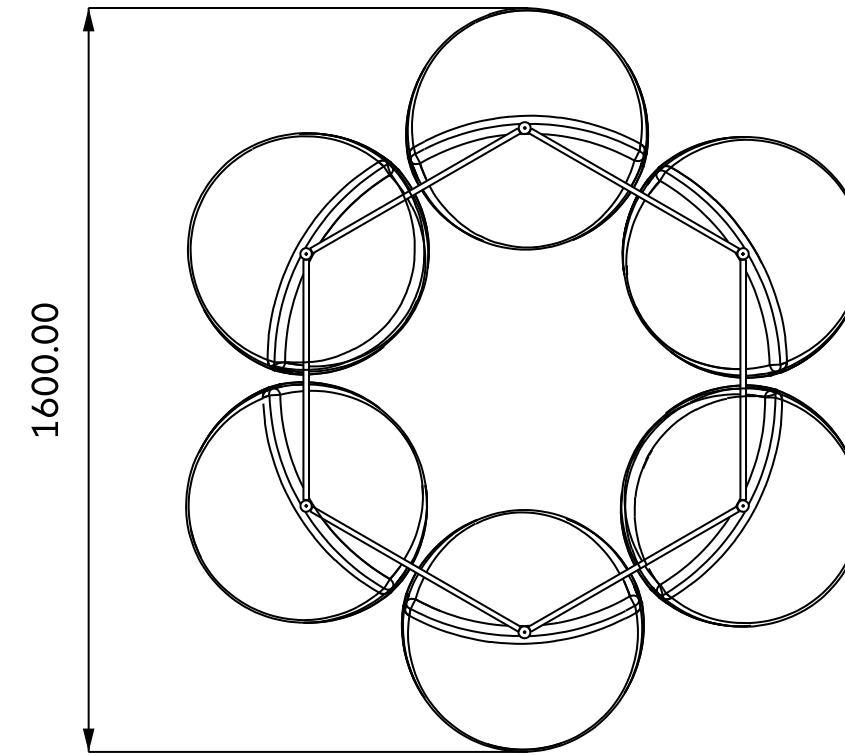
Patterns & Dimensions

Variant 1: Cross



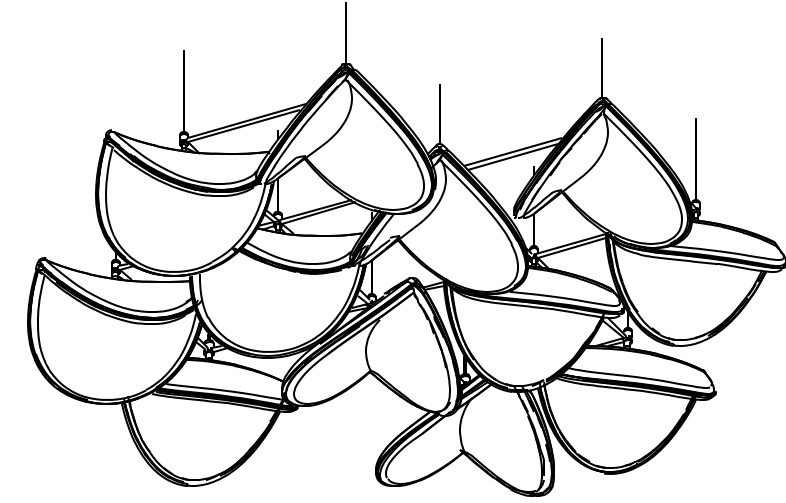
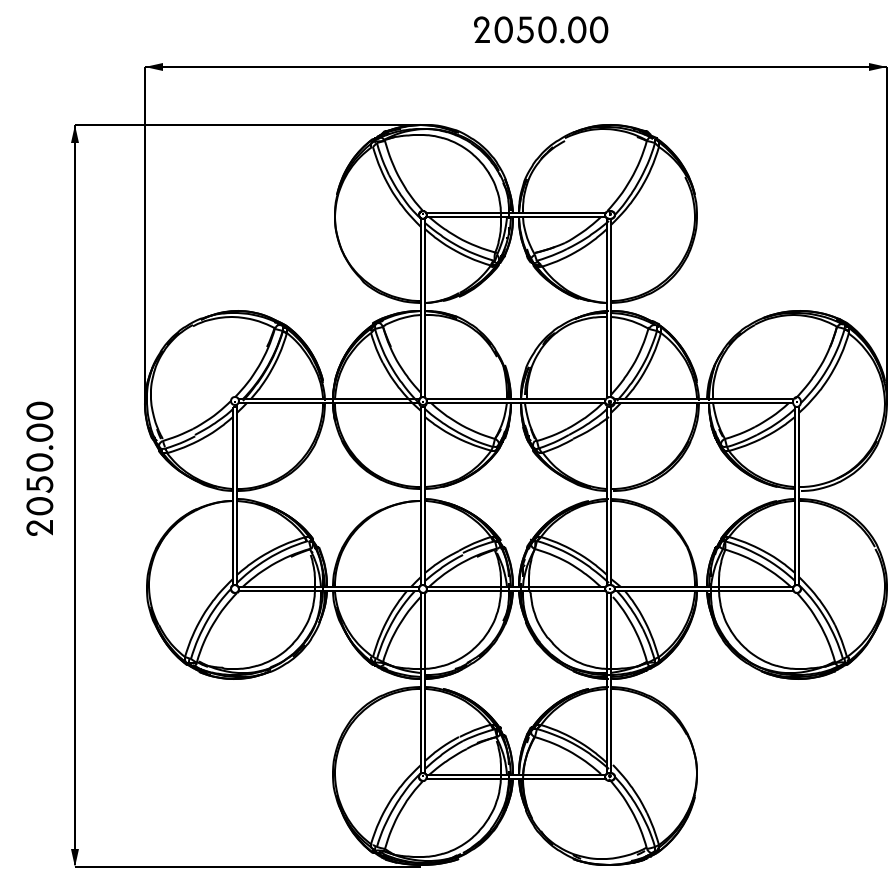
Dimensions 2050 x 2050 mm

Variant 2: Hexagon

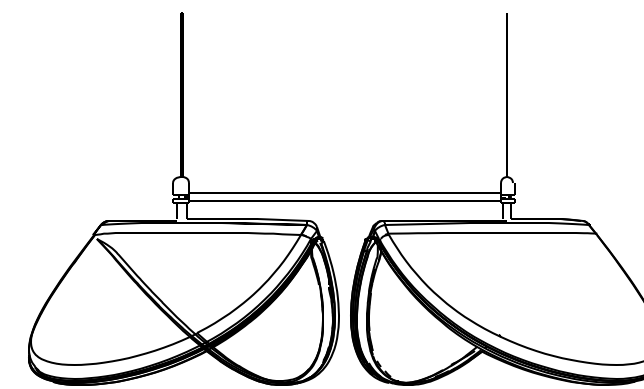
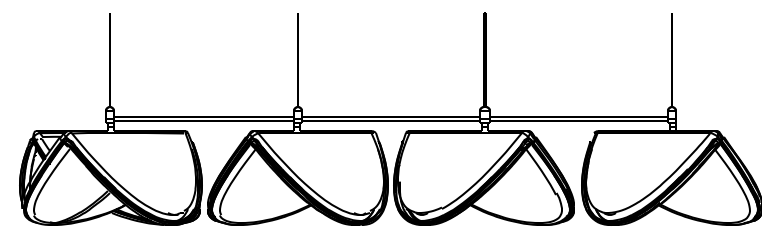
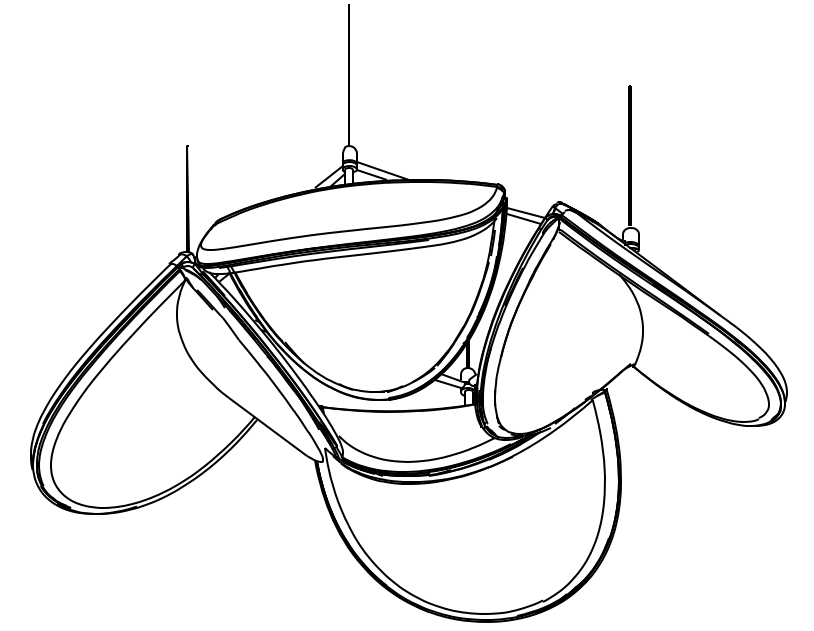
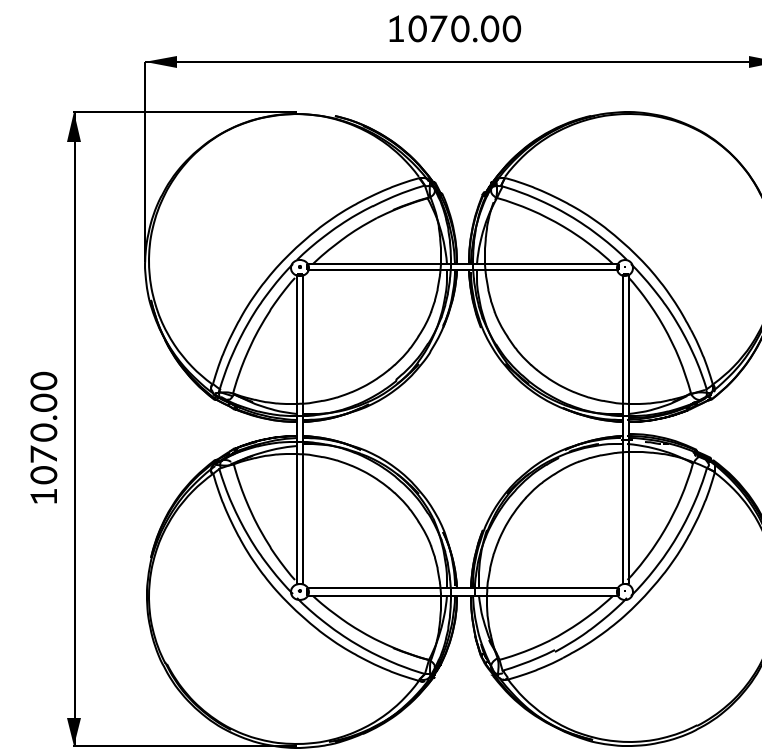


Dimensions Ø1600 mm

Variant 3: Perk



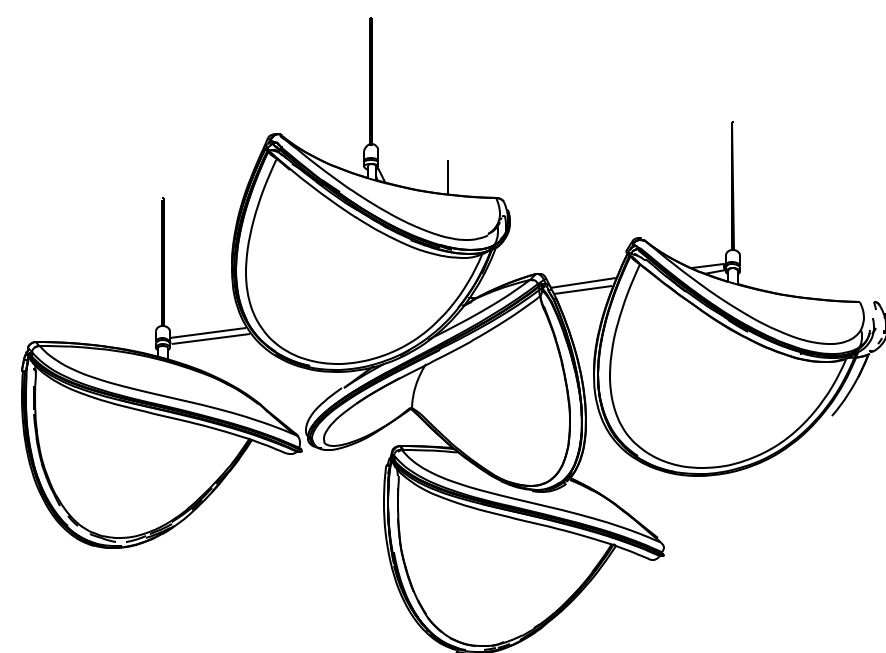
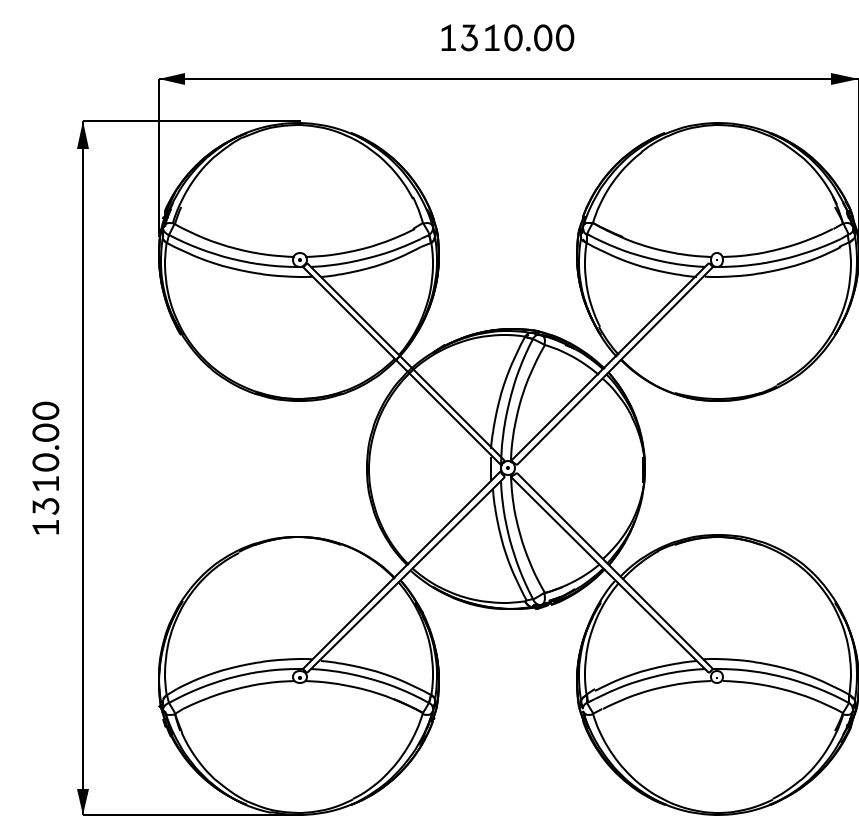
Variant 4: Square



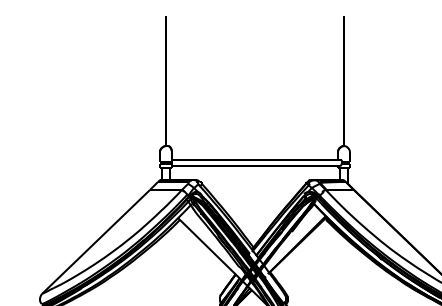
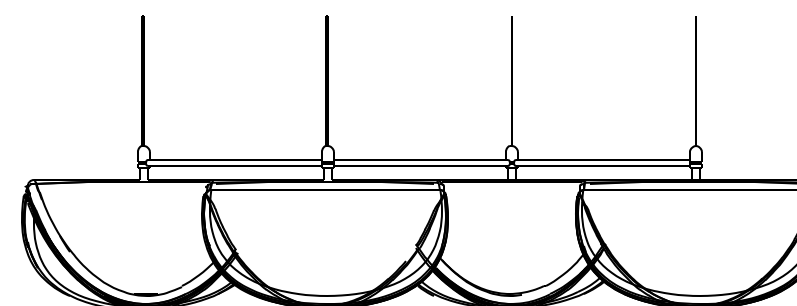
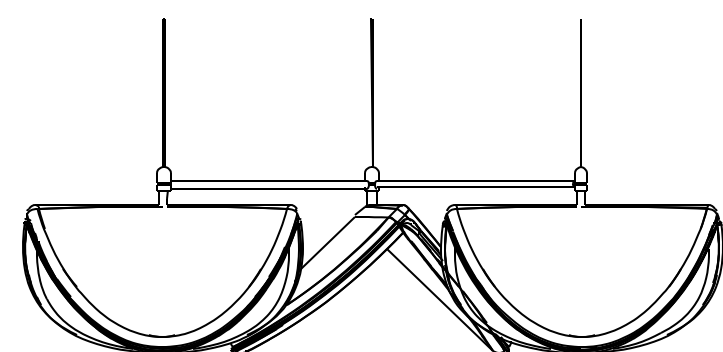
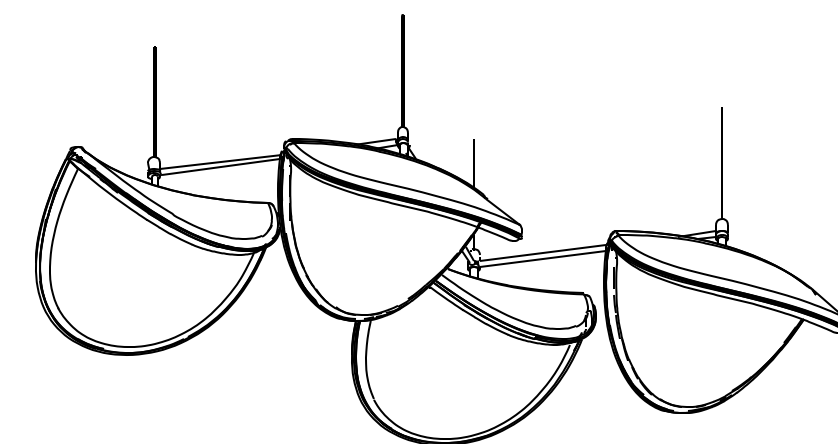
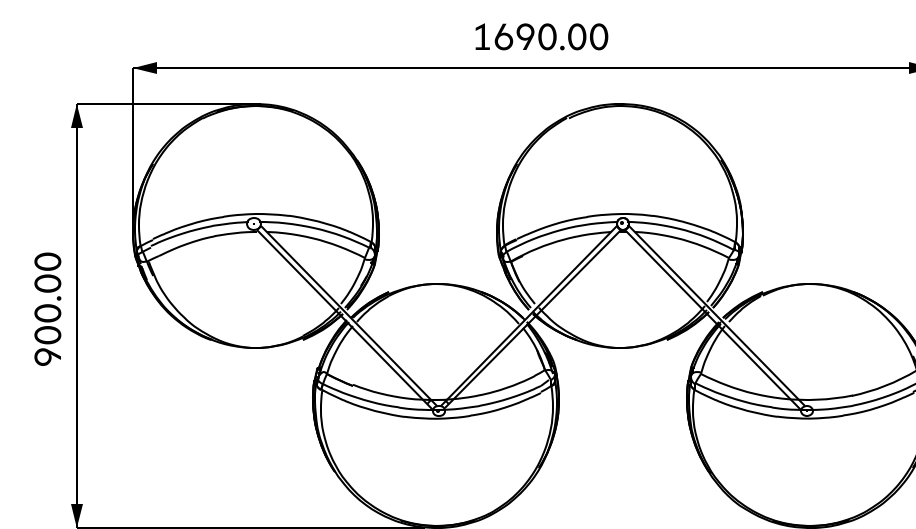
Dimensions 2050 x 2050 mm

Dimensions 1070 x 1070 mm

Variant 5: Star



Variant 6: ZigZag

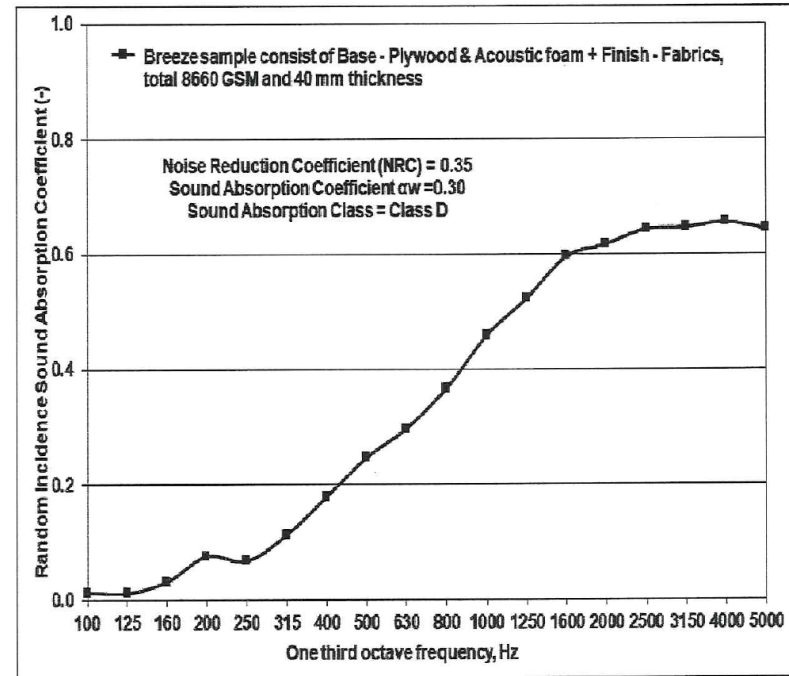


Dimensions 1310 x 1310 mm

Dimensions 1690 x 900 mm

Performance

Acoustic Properties: ASTM C423 | NRC: 0.35 | Sound Absorption – Class D



Fire Resistance:

1. Plywood

IS 5509:2000 (With Amendments) | Time for second ignition: > 30 minutes | Conforms to Indian Fire-resistance standard for interior plywood

2. Acoustic Foam (Polyurethane)

CA TB 117-2013 Section III | Flammability of Resilient fire material – Pass | Flame retardant in Upholstered Furniture – Pass

BS 5852 (Part 2):1982 | Flammability Test – Pass

3. Fabrics

• Category A+

BS 5852 Part 1: 1979 Ignition Source 0 & 1 | Details: Cigarette Test & Match Test | Result: PASS on both tests | Test Number: 423681

• Category A

BS 5852 Part 1: 1979 Ignition Source 0 & 1 | Details: Cigarette Test & Match Test | Result: PASS on both tests | Test Number: 187662

• Category B

AS/NZS 1530.3:1999 | Details: Simultaneous test for Ignitability, Flame Propagation, Heat Release & Smoke Release | Result: Passed | Test Number: 19-001329

• Felt

ASTM E84- 2021 | Flame Spread Index: Class 1 or A | Smoke Developed Index: Class 1 or A
BS/EN 13501-1:2018 | Classification: B-s1, d0
AS/NZS 1530.3:1999 | Flame Spread Index: 0 | Smoke Index: 2

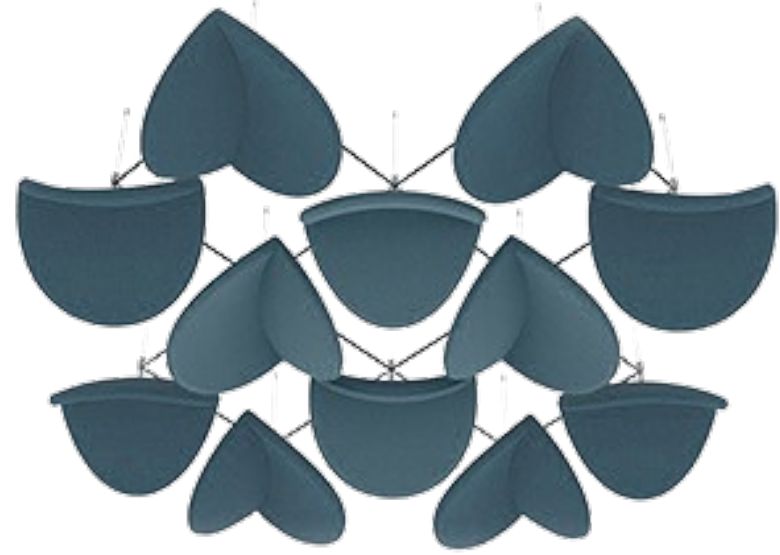
Sustainability

Certifications & Compliance:

- LEED v4: Supports EQ Credit (Low-Emitting Materials)
- Certified Low VOC materials
- EPD & HPD certified
- Declare Label compliant
- USGBC LEED compliant



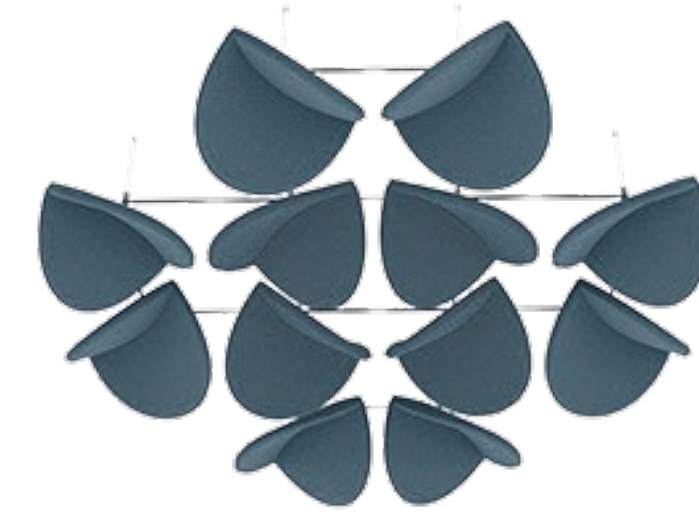
Variants



Cross



Hexagon



Perk



Square



Star

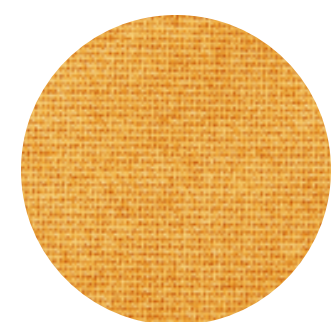


ZigZag

Fabrics

CAT A+ : COLORWAYS

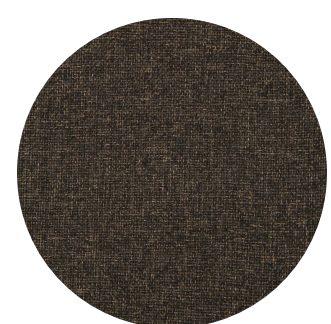
SOHO



Composition	100% Polyester
Weight (per surface)	420 gsm
Width	145 cm (min. usable 138 cm)
Abrasion resistance	100,000+ Wyzenbeek 90,000 Martindale
Flammability	CA TB 117 - 2013 BS 5852: Part 1(1979)
Fastness to light	5
Fastness to rubbing	Wet - 4 Dry - 4/5
Pilling	Piling on Martindale - 3/4 Brush pilling - 5
Seam Slippage	Warp - 2.5 mm Weft - 3 mm

CAT B : COLORWAYS

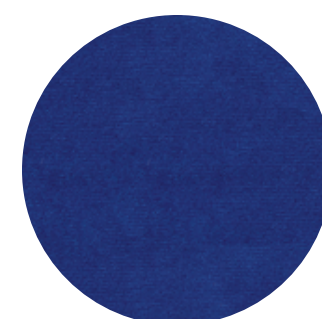
ELTON



Composition	100% Polyester
Weight (per surface)	275 gsm
Width	140 cm
Abrasion resistance	70,000 Wyzenbeek
Flammability	AS/NZS 1530.3 - 1999
Fastness to light	5
Fastness to rubbing	Wet - 4/5 Dry - 4/5
Pilling	5
Seam Slippage	Warp - 3.3 mm Weft - 3 mm
Attributes	Halo Easy Care, Oekotex Standard 100

CAT A : COLORWAYS

TWEED



Composition	100% Polyester
Weight (per surface)	240 gsm
Width	142 cm (min. usable 138 cm)
Abrasion resistance	54,000 Wyzenbeek 100,000 Martindale
Flammability	CA TB 117 - 2013 BS 5852 Source 0,1 (cigarette & match) EN 1021 Part1,2 (cigarette & match)
Fastness to light	5
Fastness to rubbing	Wet - 4 Dry - 4/5
Pilling	3/4
Seam Slippage	Warp - 2 mm Weft - 2 mm

FELIX



Composition	100% Polyester
Weight (per surface)	380 gsm
Width	142 cm
Abrasion resistance	100,000 Wyzenbeek
Flammability	AS/NZS 1530.3 - 1999
Fastness to light	6
Fastness to rubbing	Wet - 5 Dry - 5
Pilling	5
Seam Slippage	Warp - 2 mm Weft - 1.5 mm
Attributes	Halo Easy Care, Oekotex Standard 100

FELT

FELT 1.2



Composition	100% Polyester
Thickness	1.2 mm
Weight	200 gsm ($\pm 10\%$)
Flammability	Class 1 or A (ASTM E84)
Smoke Development Index	288 (ASTM E84)

