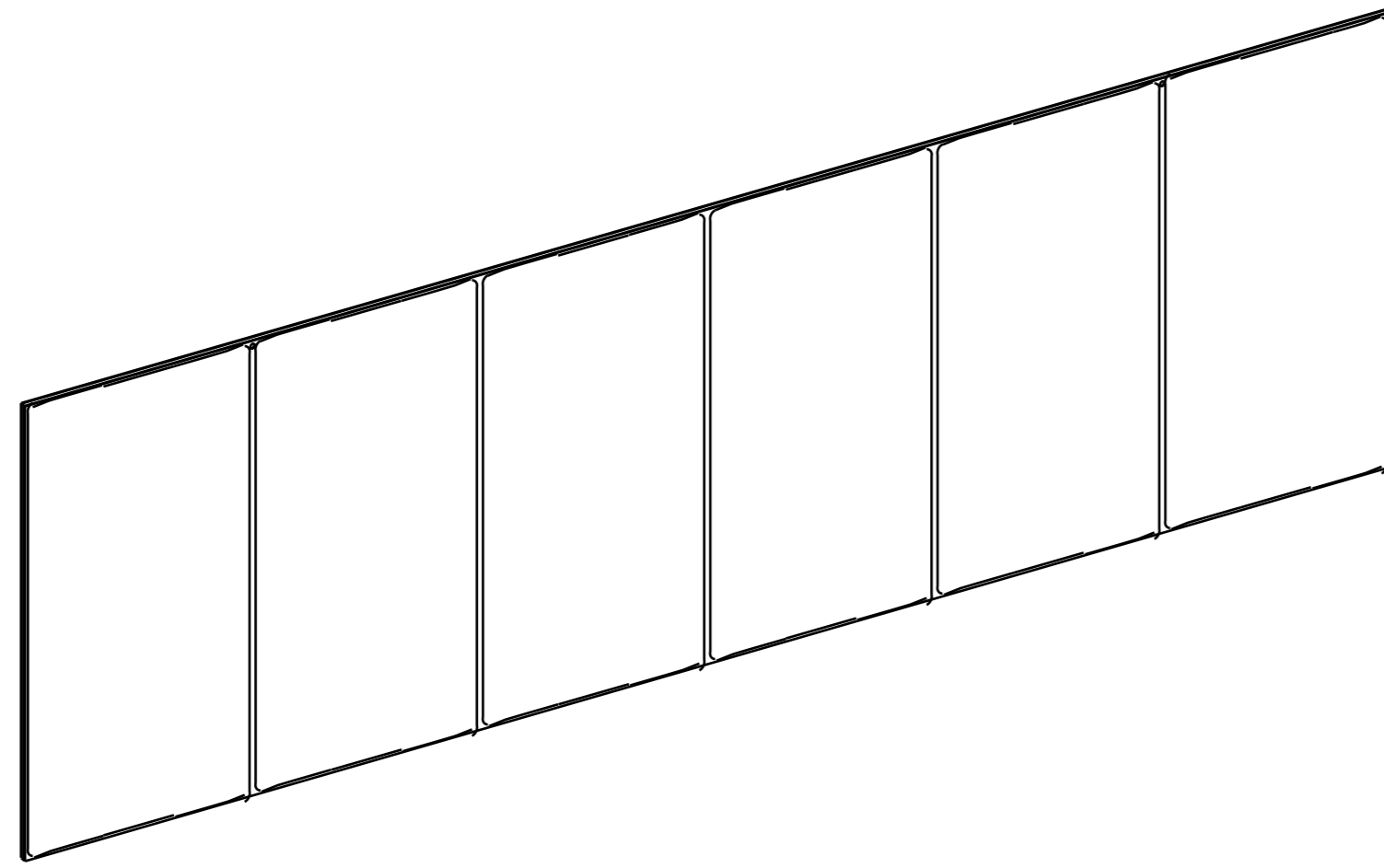


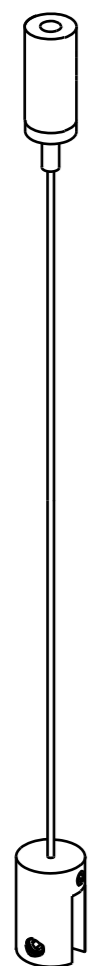


# Installation Steps

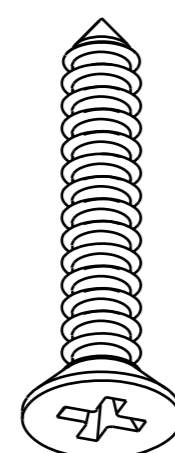
## Parts Included



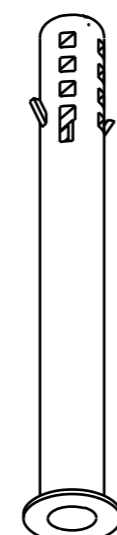
Module Baffle



Pixel & C Clip Set



Self Tapping Screw



Pvc Anchor

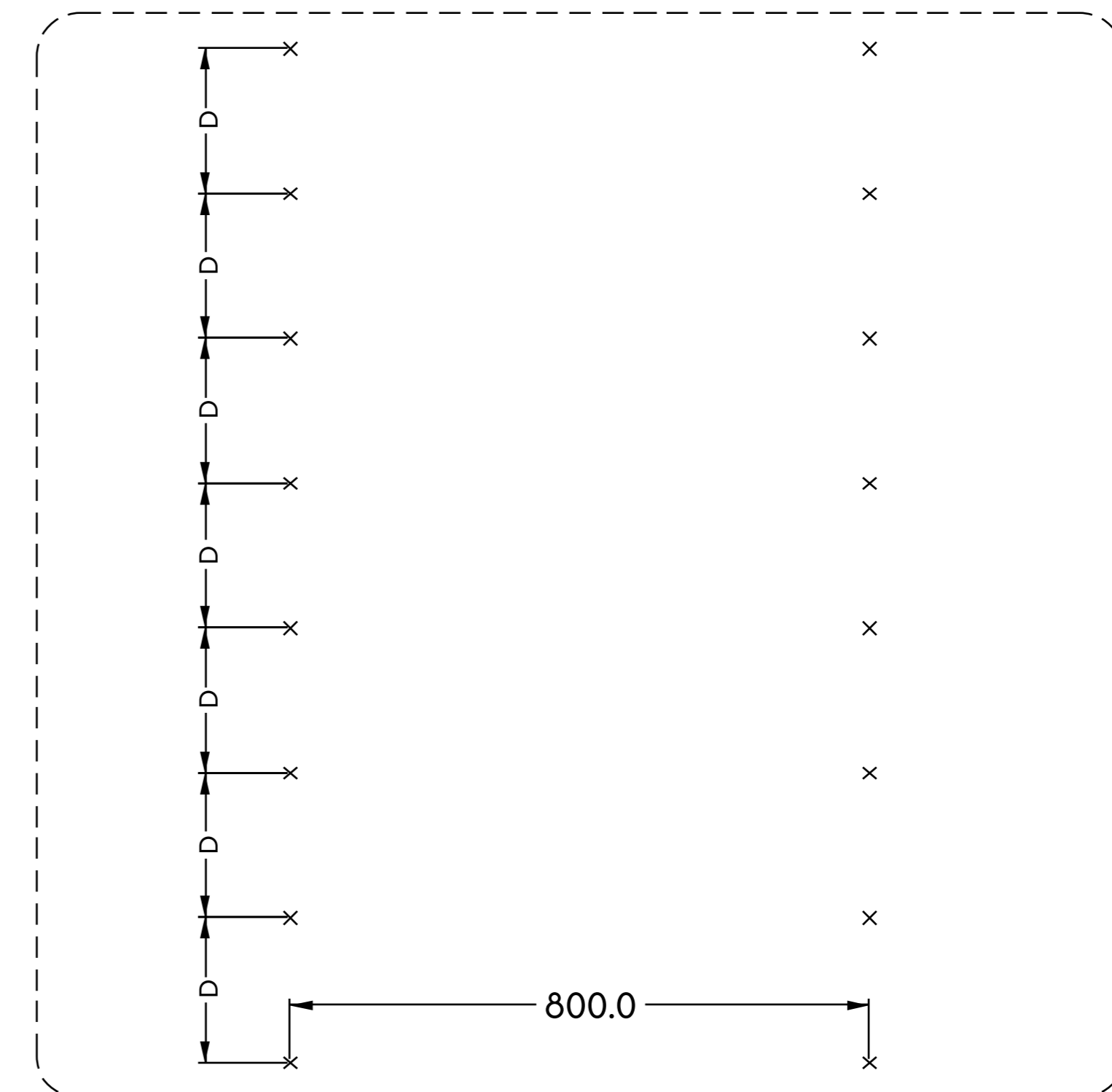
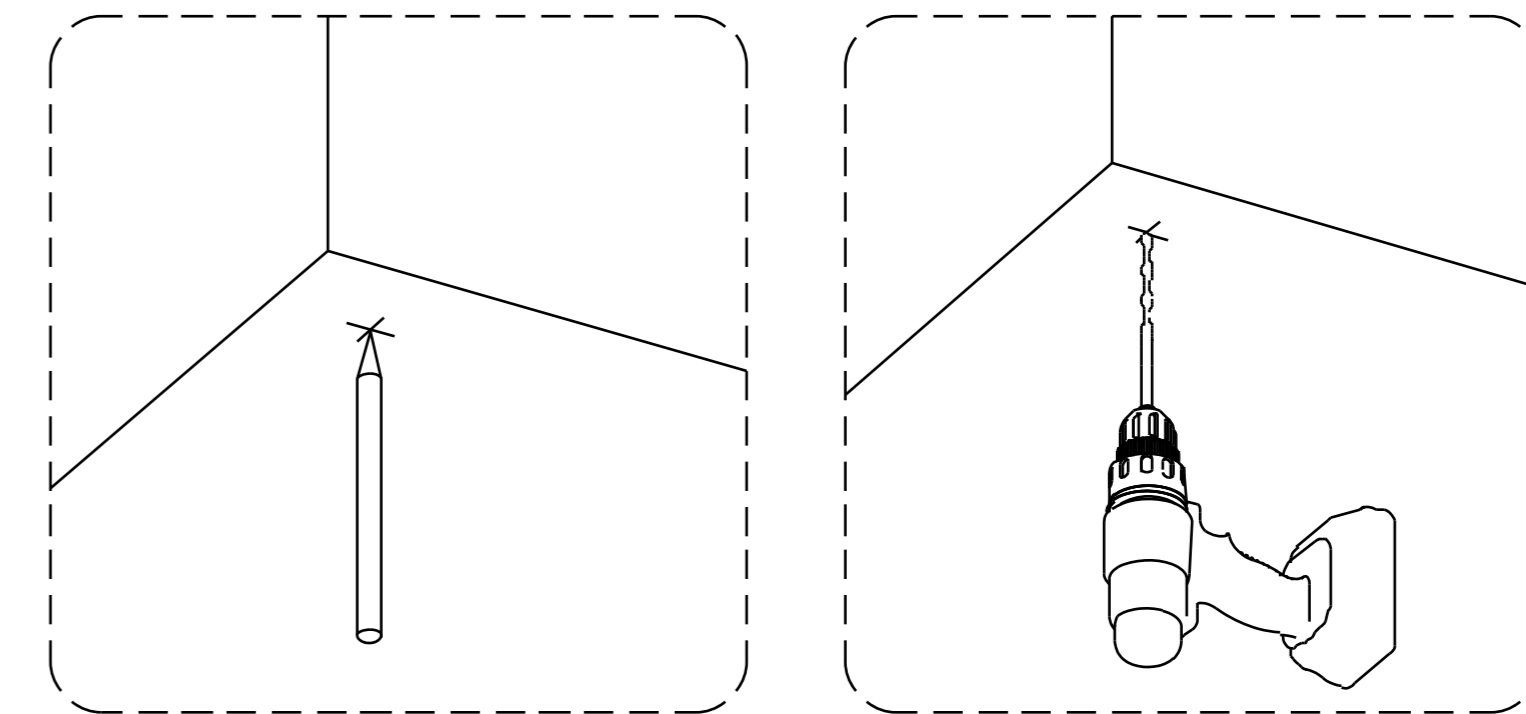
## Step A:

Mark and drill the ceiling points as per the specified measurements provided below to ensure accurate installation.

The 800 mm measurement indicates the center-to-center distance between pixel sets.

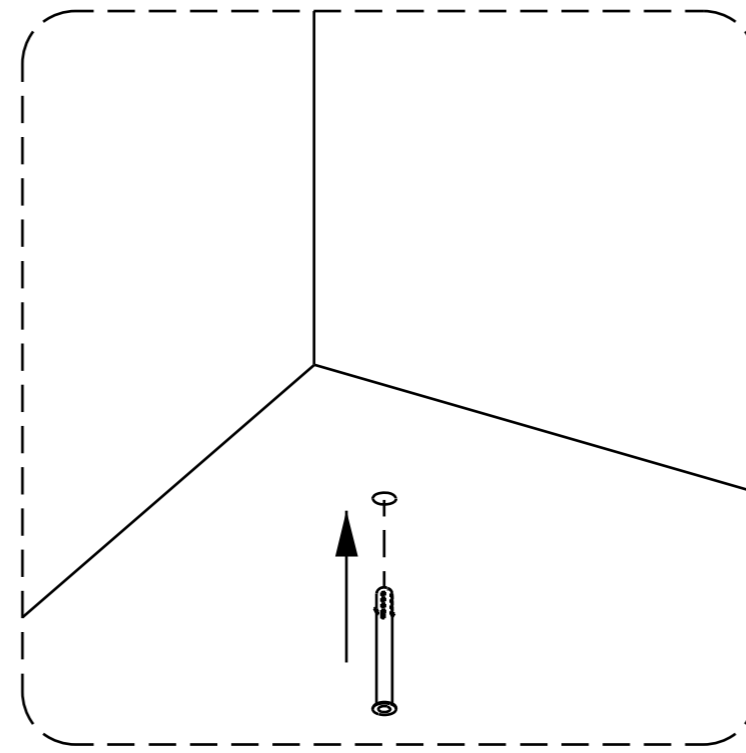
"D" indicates the center-to-center distance between the baffles.

The value of "D" is based on the client's requirements.

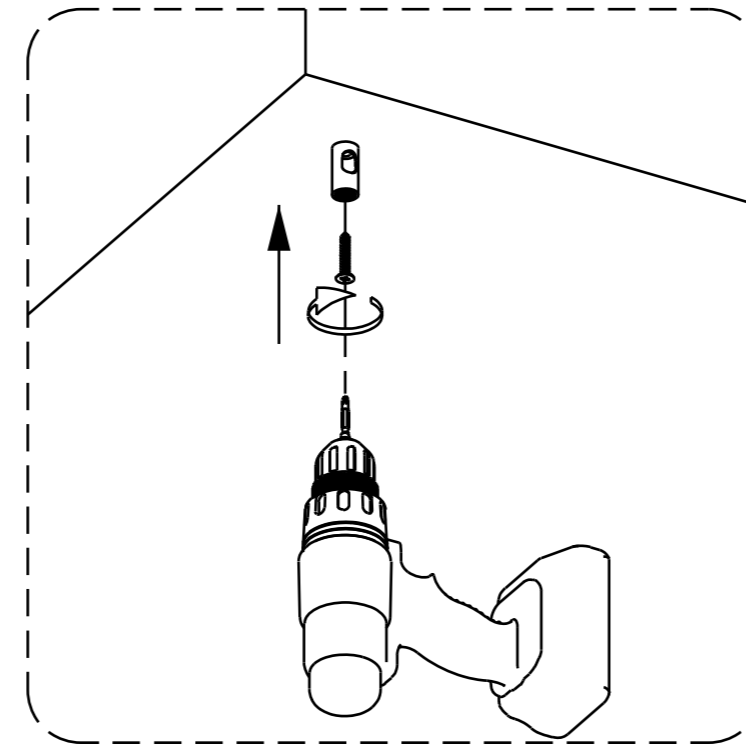


### Step B:

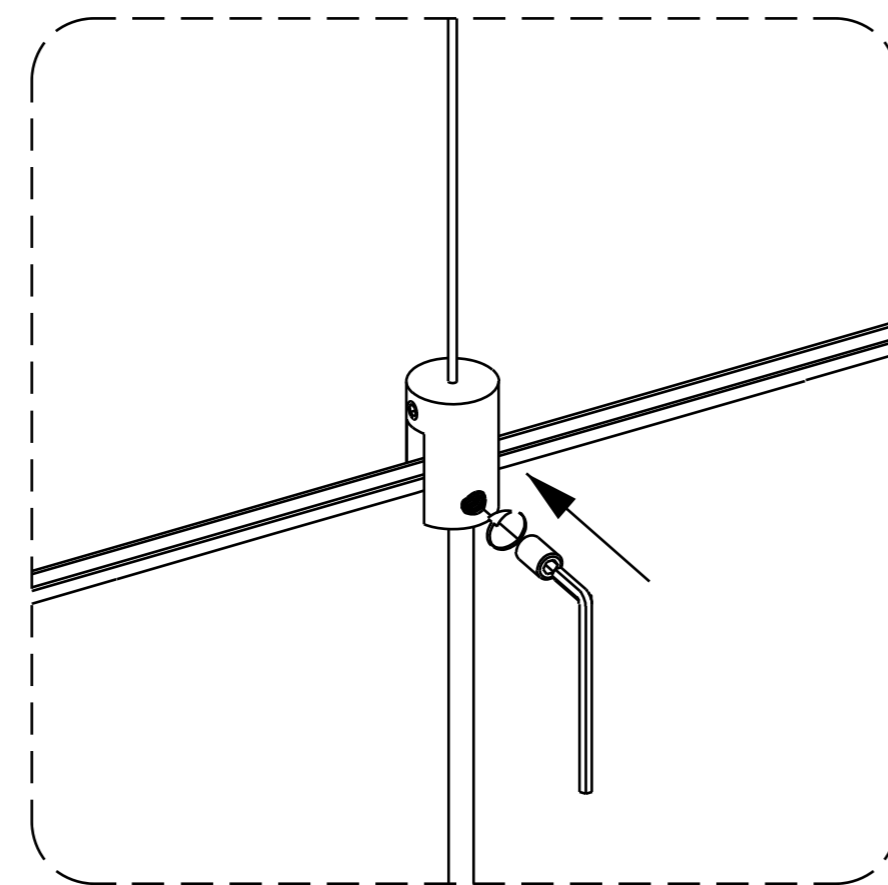
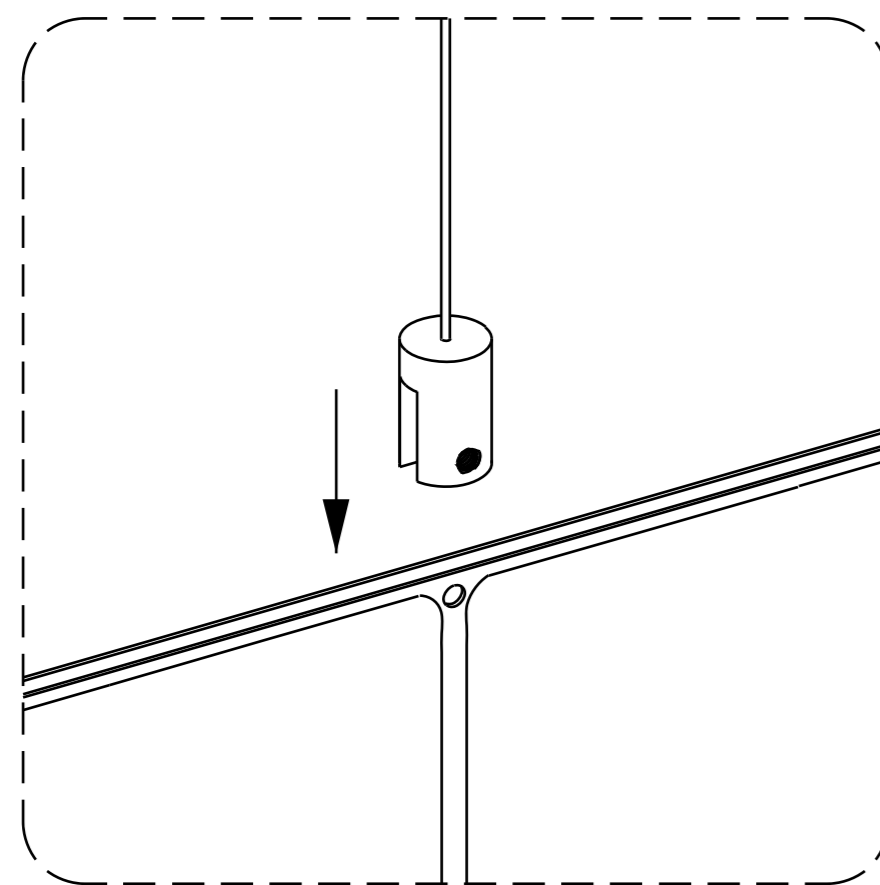
Carefully insert the anchor fastener into the pre-drilled hole and tap it in using a hammer until it is firmly set.



Install the pixel securely using the specified fasteners, as detailed in the enlarged view.

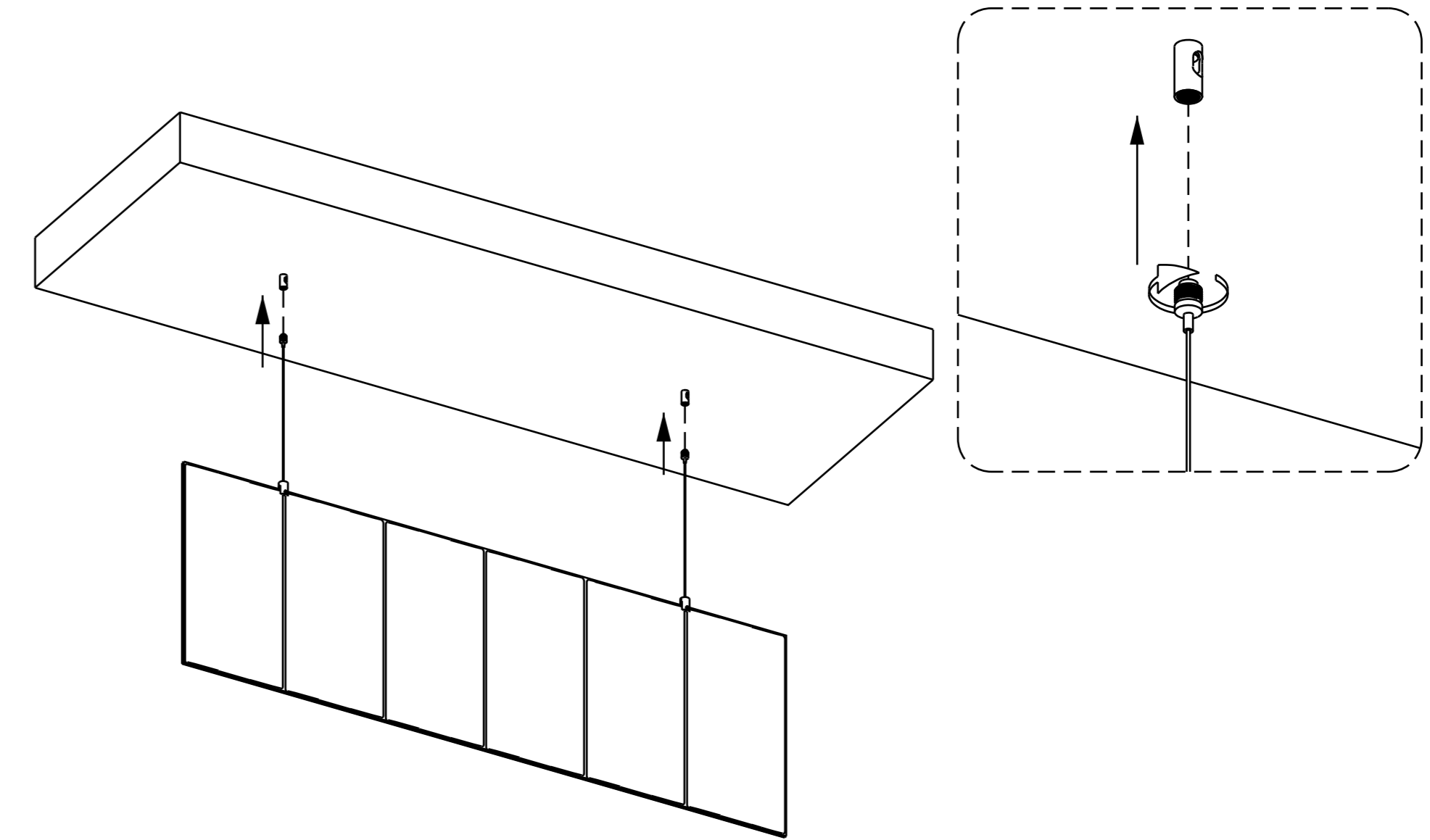


Align the C-clip with the groove and secure it in place using the grub screw, as shown in the enlarged view.

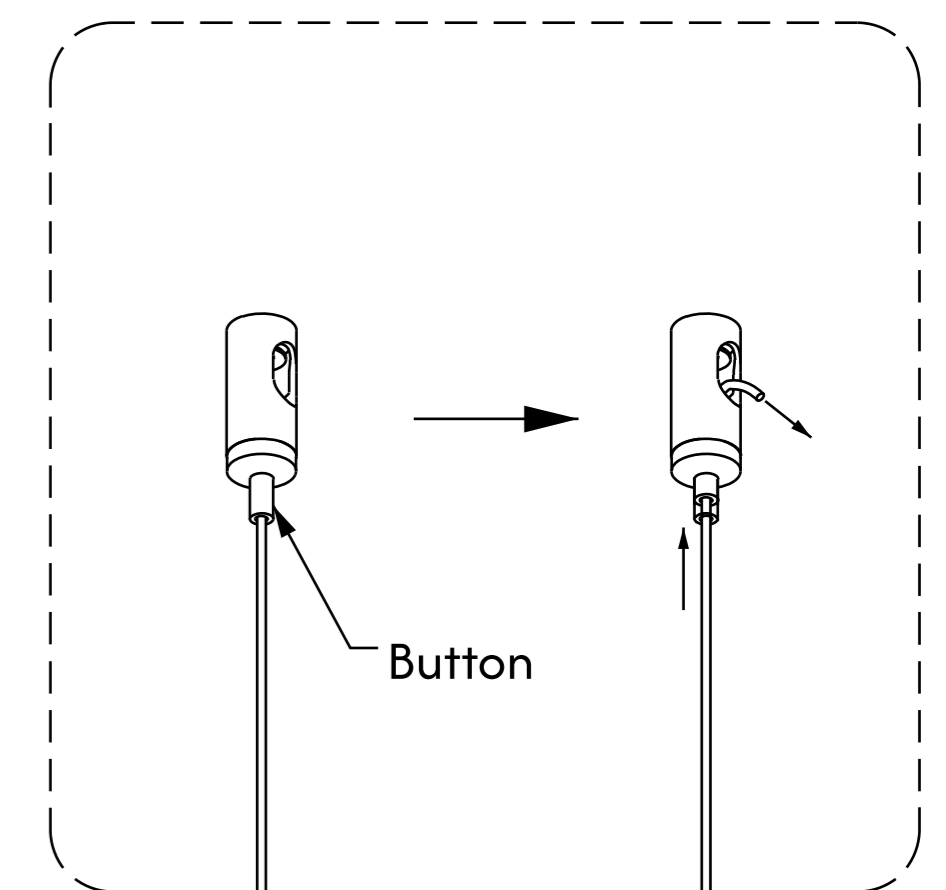


### Step C:

Hold the baffle in position and securely fix it to the ceiling, following the orientation shown in the enlarged view. Repeat the step for the all the baffles module.



To adjust the baffle height, press the button and insert the wire to the desired position.



 [info@sensesakustik.com](mailto:info@sensesakustik.com)

 [www.sensesakustik.com](http://www.sensesakustik.com)