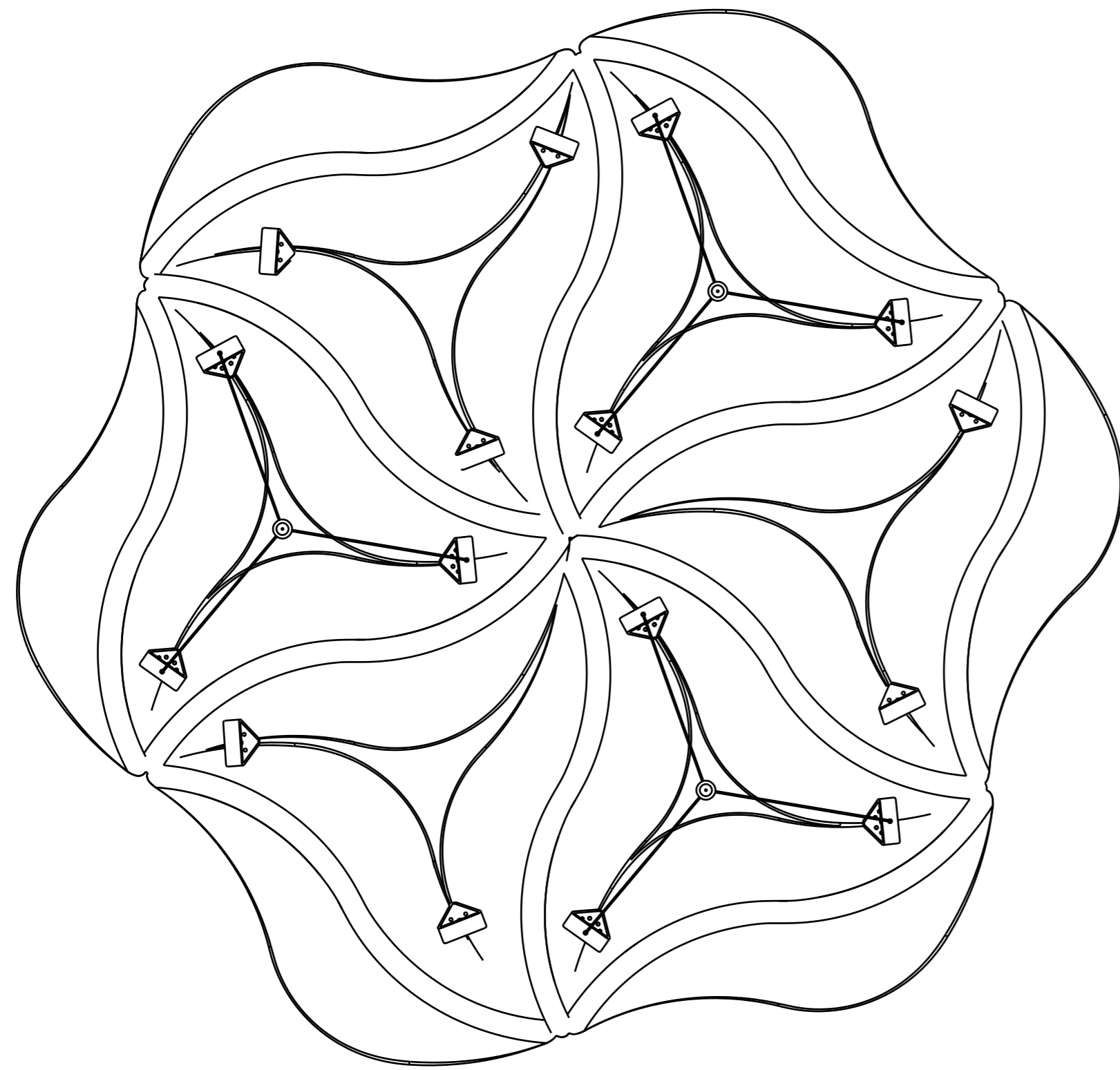
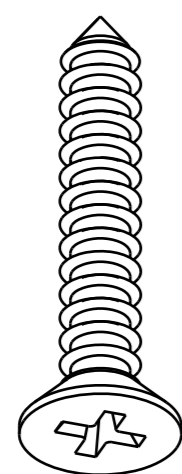


# Installation Steps

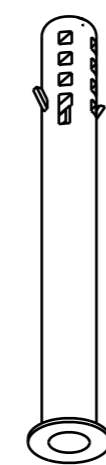
## Included Parts



Patal Module



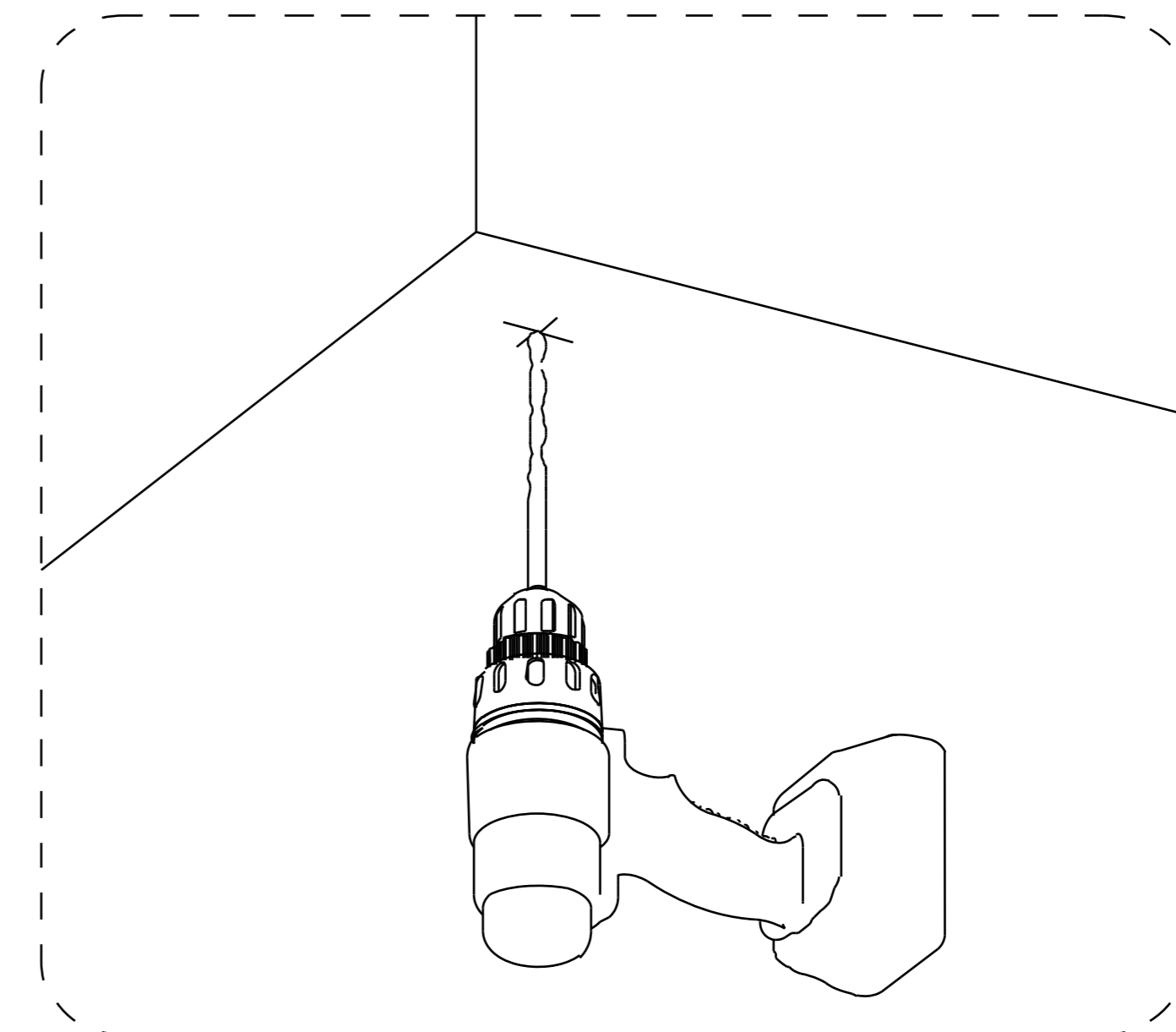
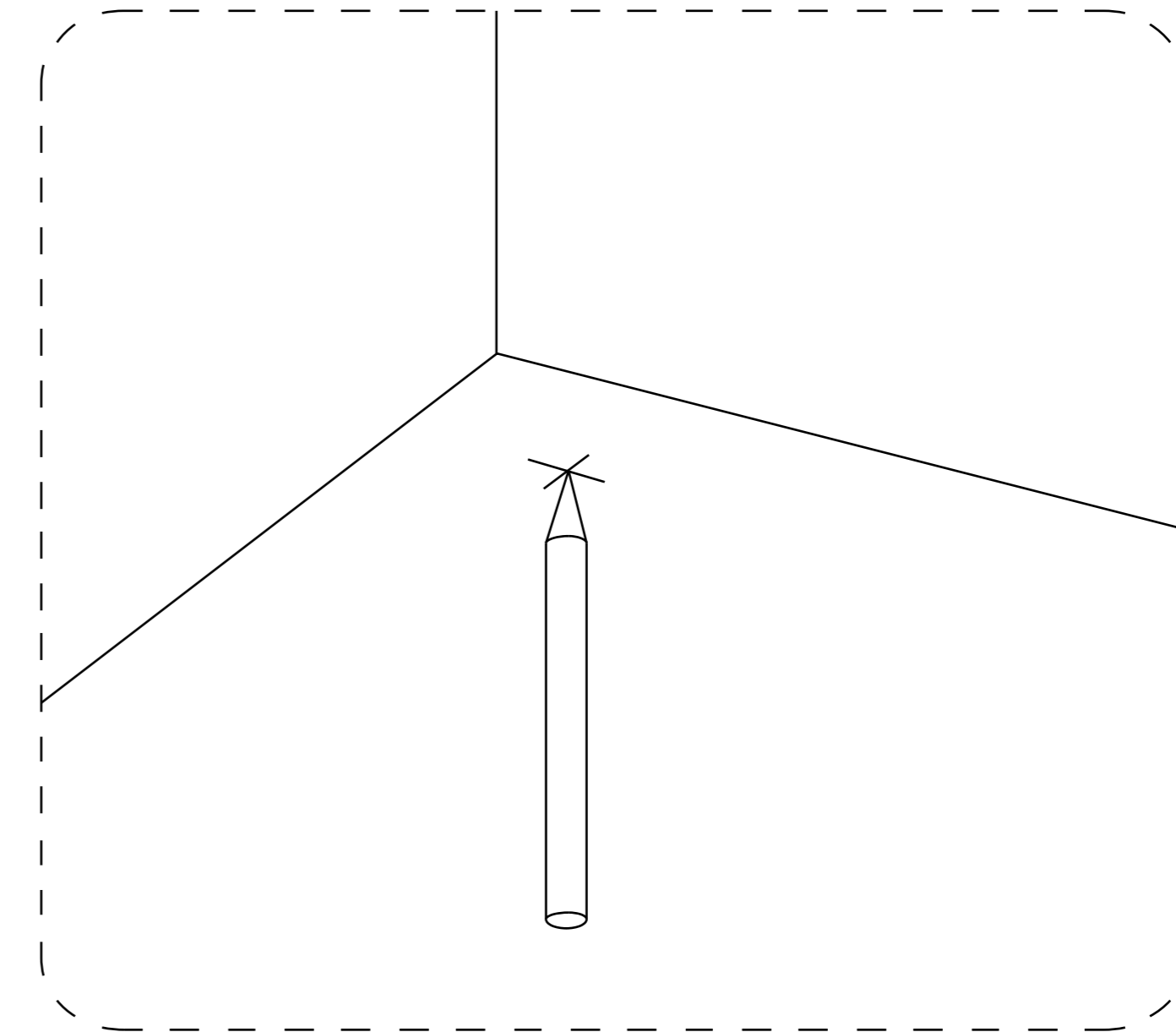
Self Tapping Screw



Pvc Anchor

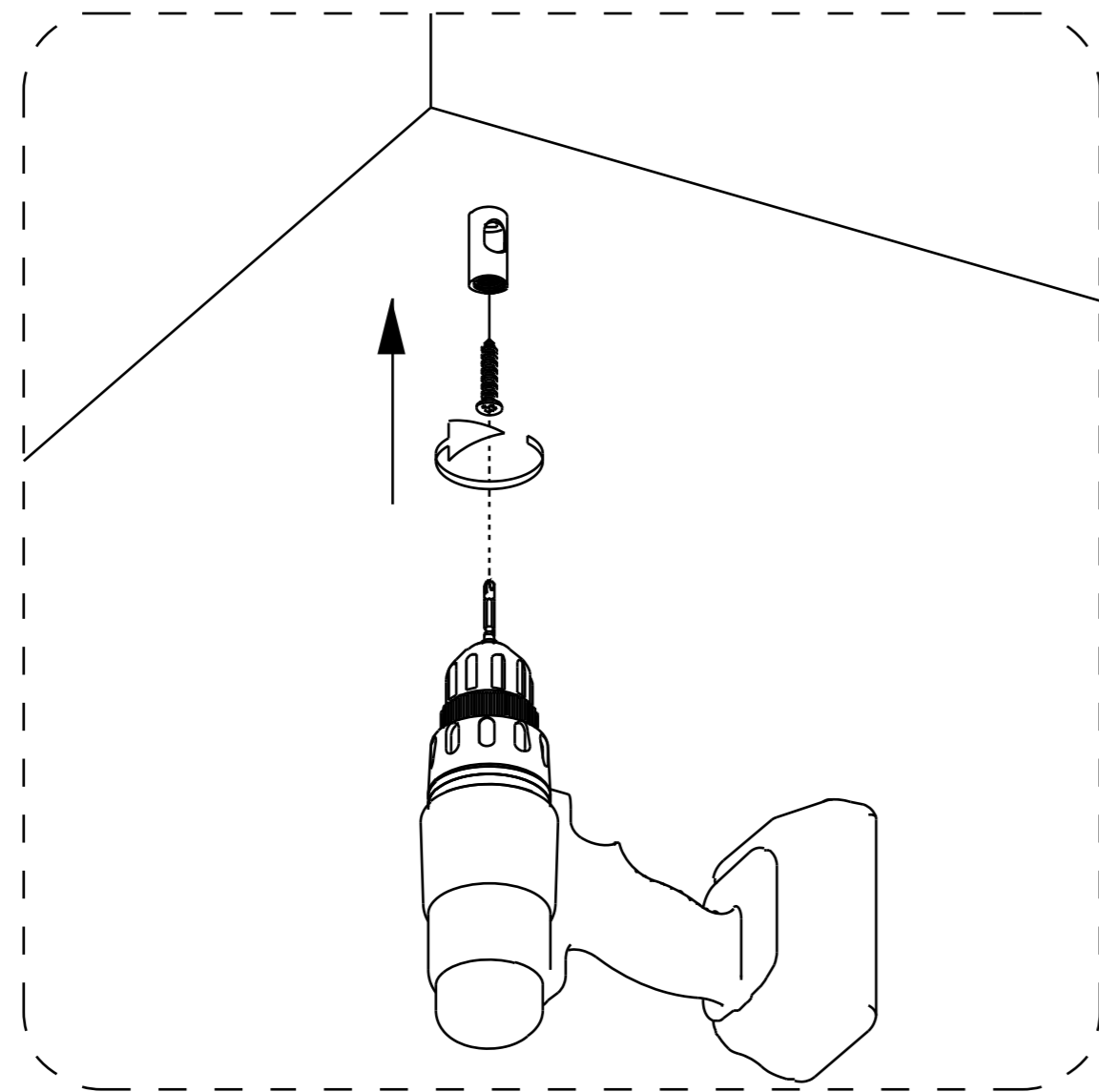
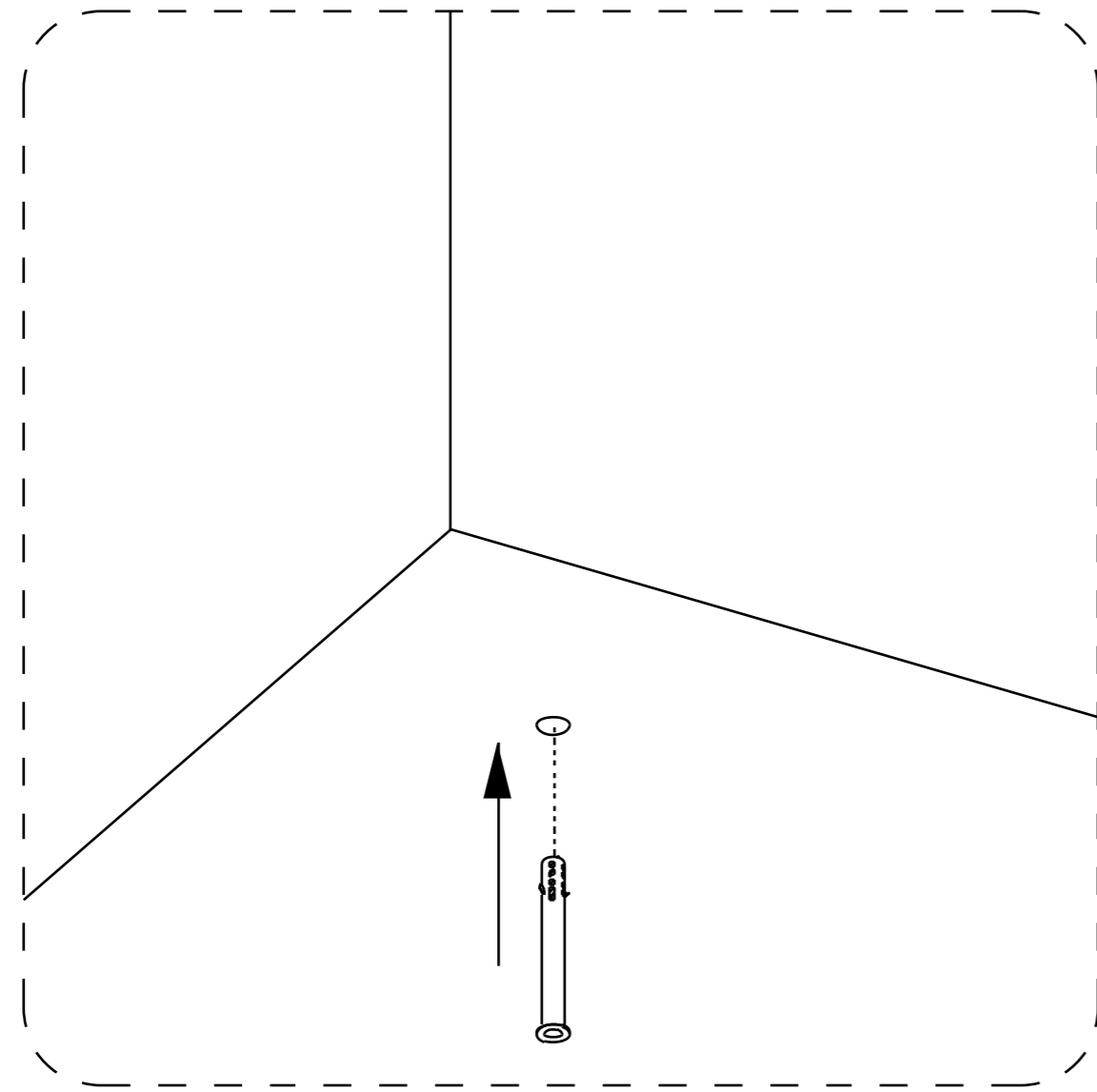
## Step A:

Mark and drill ceiling points according to the module's hanging hardware distance.



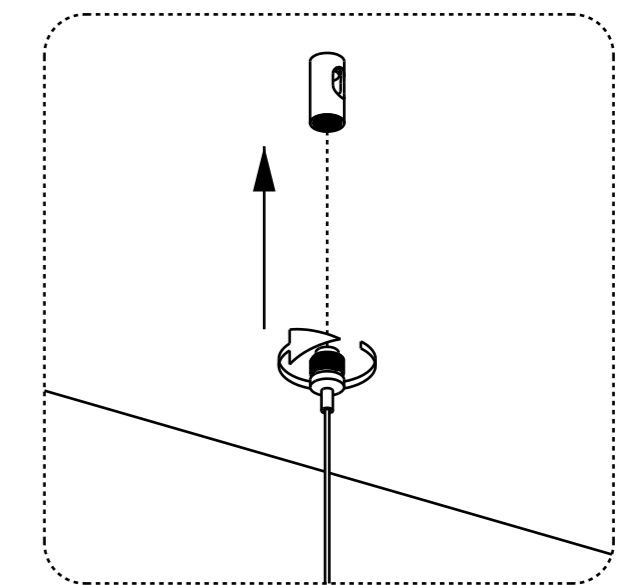
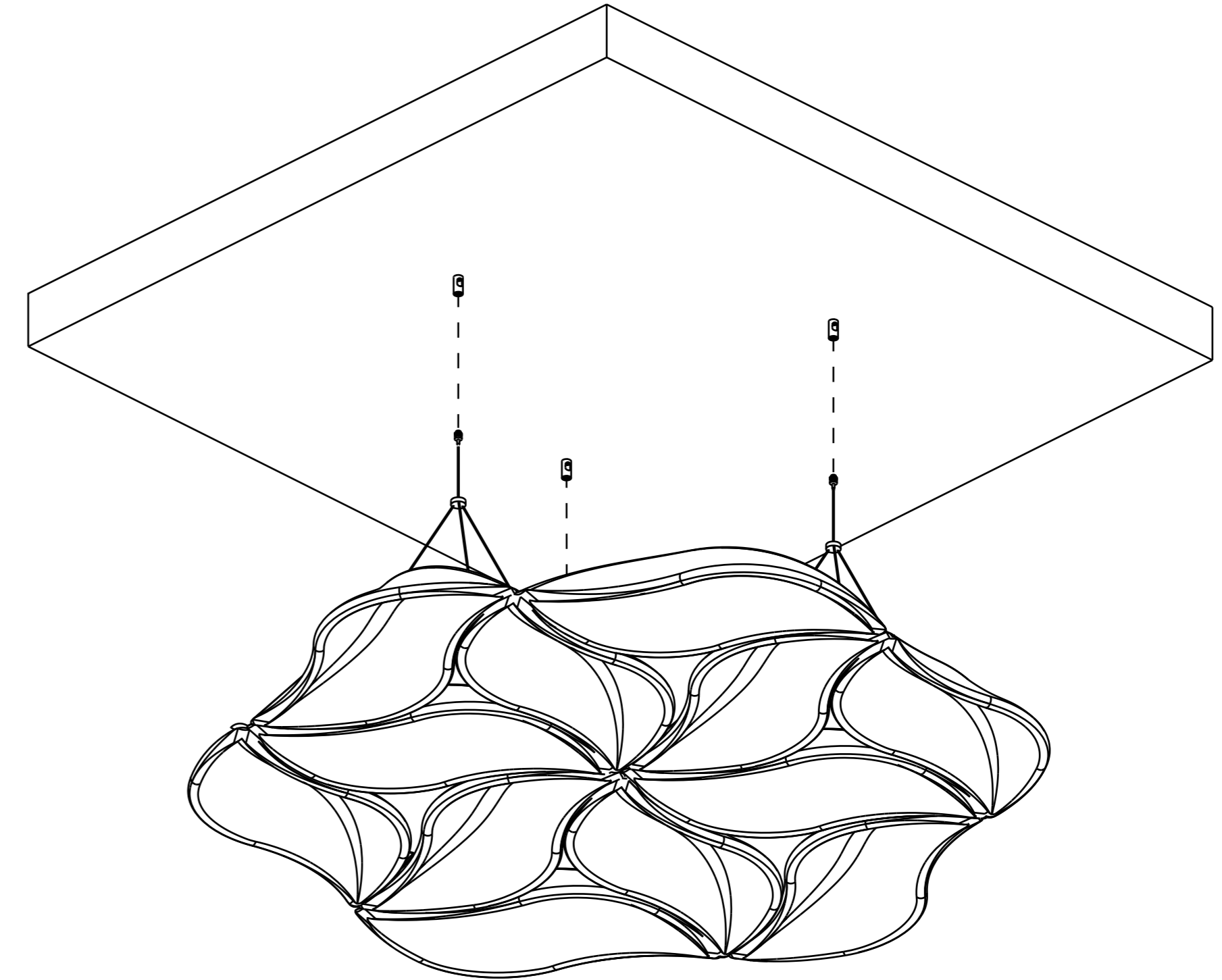
### Step B:

Carefully insert the anchor fastener into the pre-drilled hole and tap it in using a hammer until it is firmly set. Install the pixel securely using the specified fasteners, as detailed in the enlarged view.



### Step C:

Hold the Petal Module in position and securely fix it to the ceiling, following the orientation shown in the enlarged view.



 [info@sensesakustik.com](mailto:info@sensesakustik.com)

 [www.sensesakustik.com](http://www.sensesakustik.com)