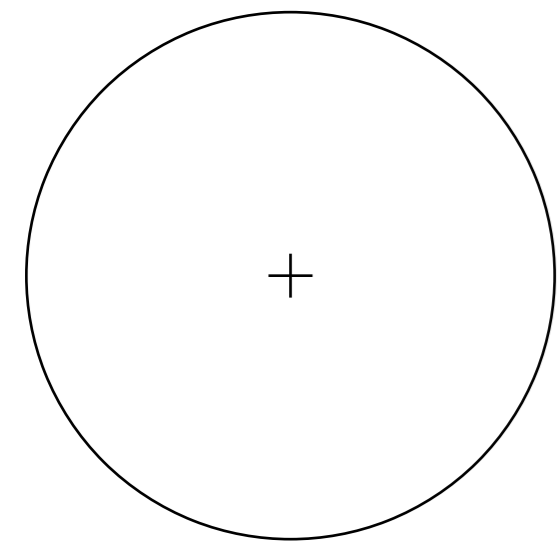
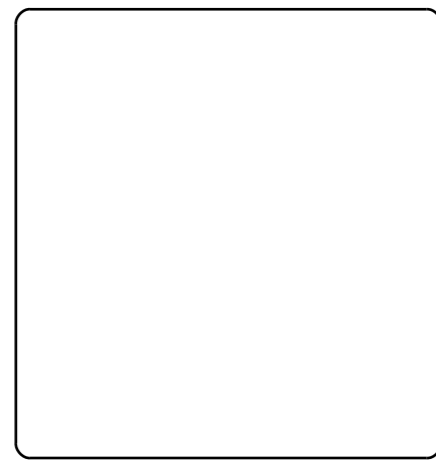


Installation Steps

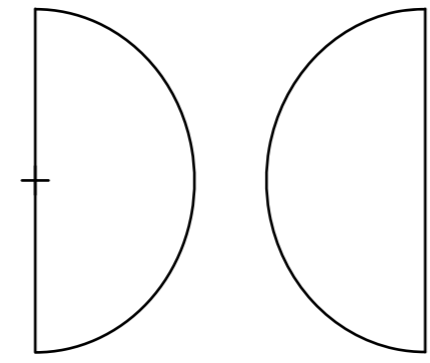
Part Overview



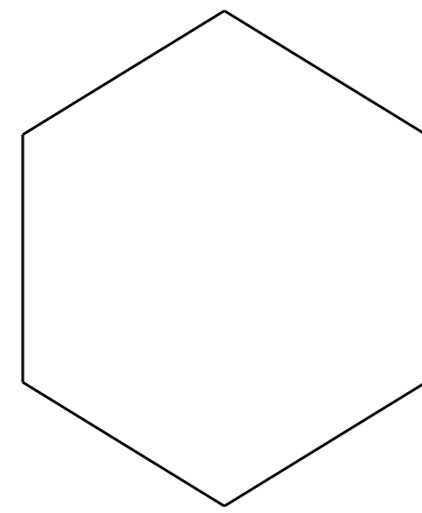
Circle



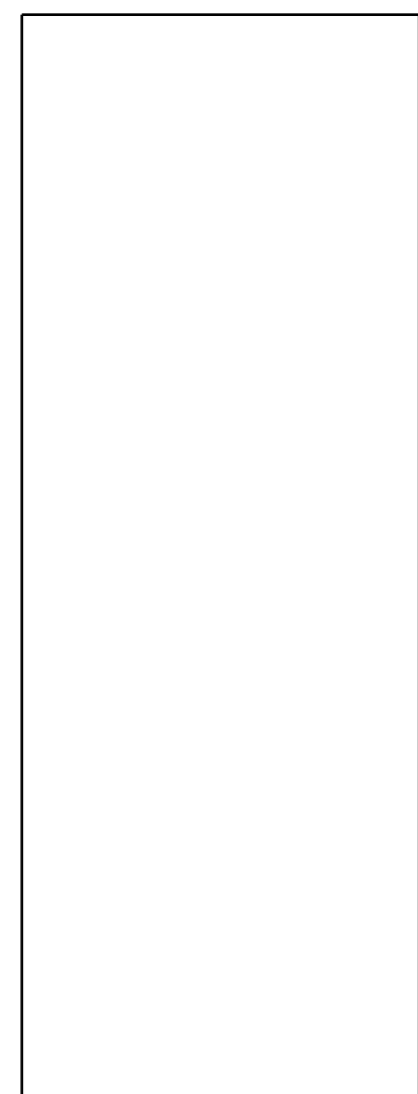
Square



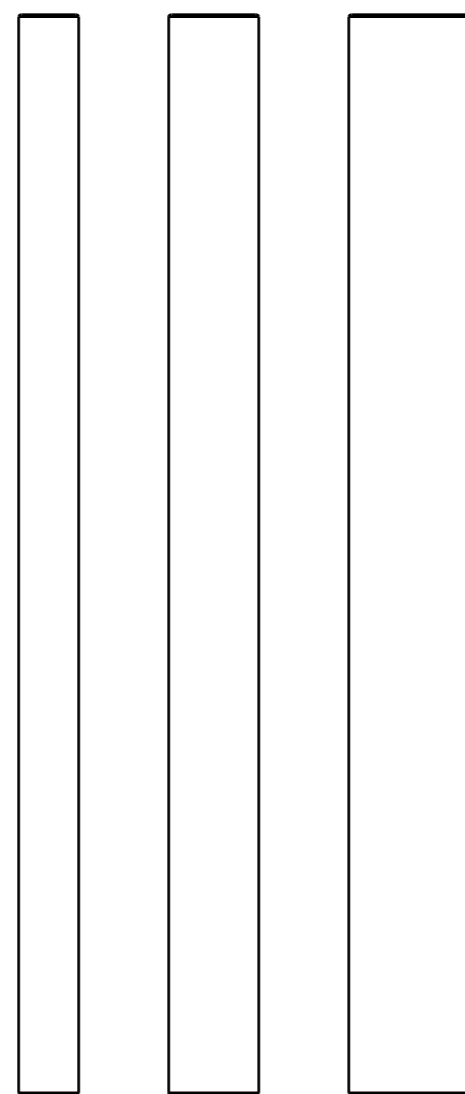
Semi-circle



Hexagon



Rectangle

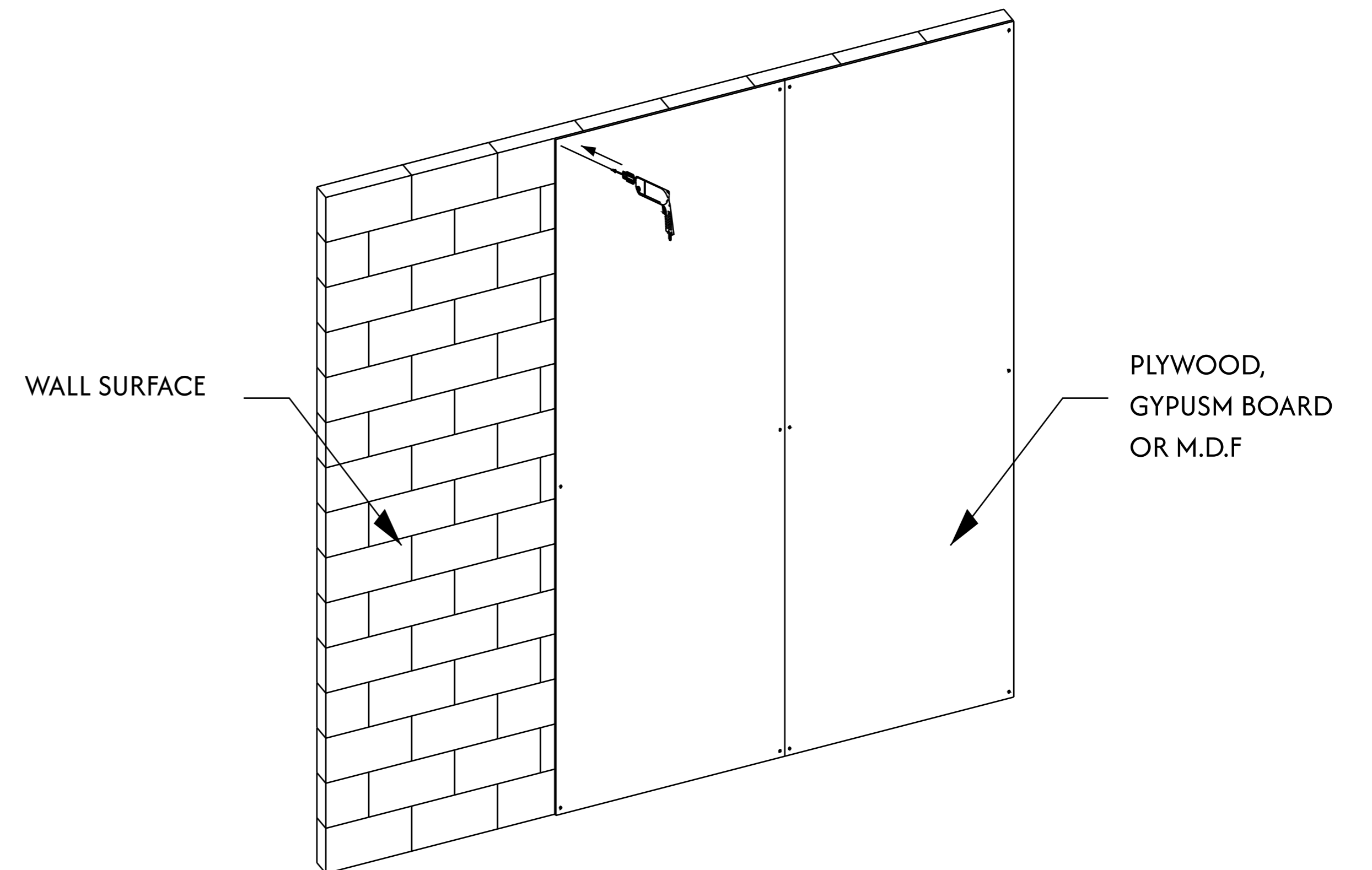


Arcstick

(Walls with Adhesives)

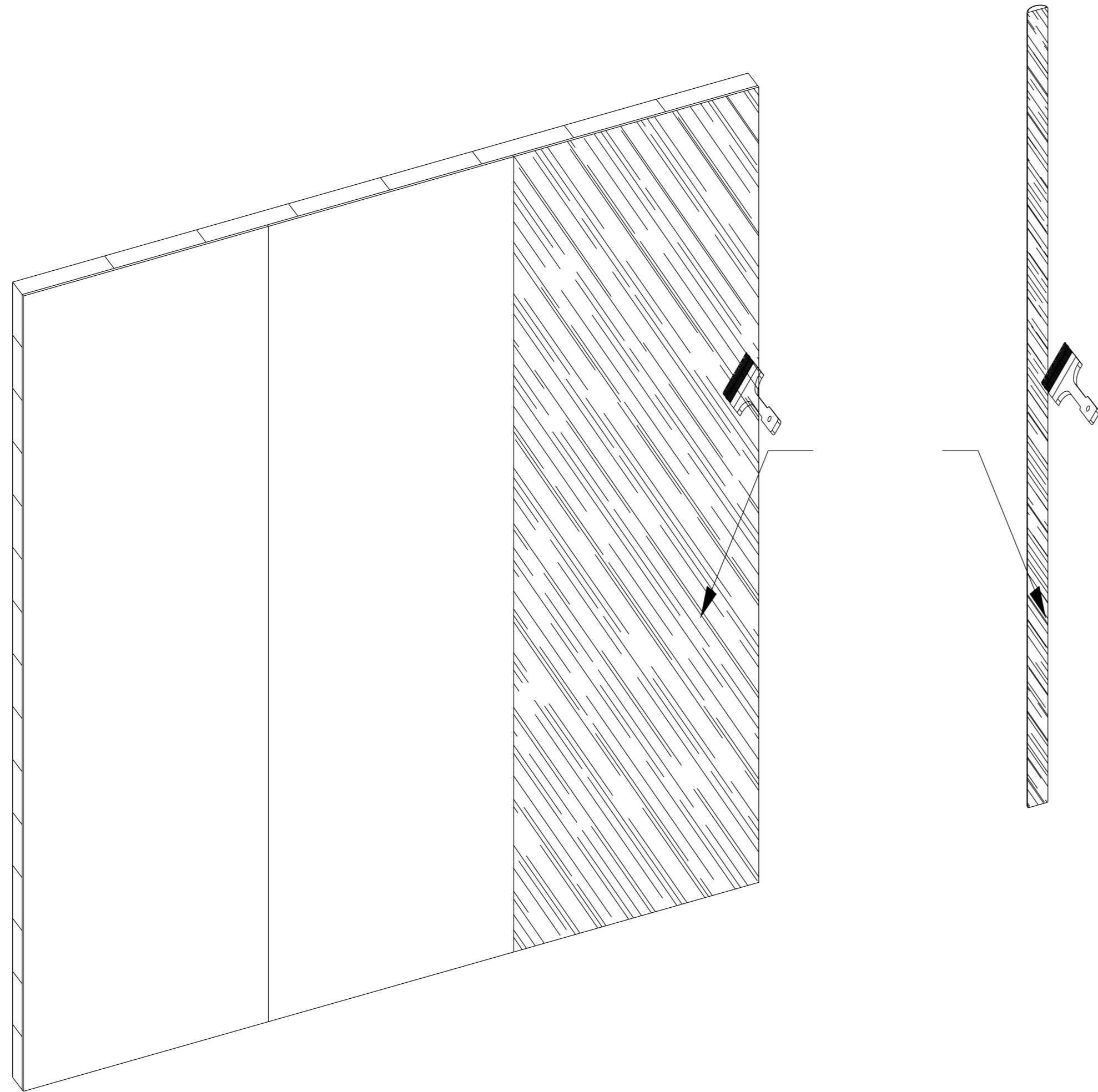
Step A:

Begin by preparing the wall surface using Plyboard, gypsum, or MDF to create a zero-level surface. Ensure that the surface is clean and free of any dust, dirt, or debris.



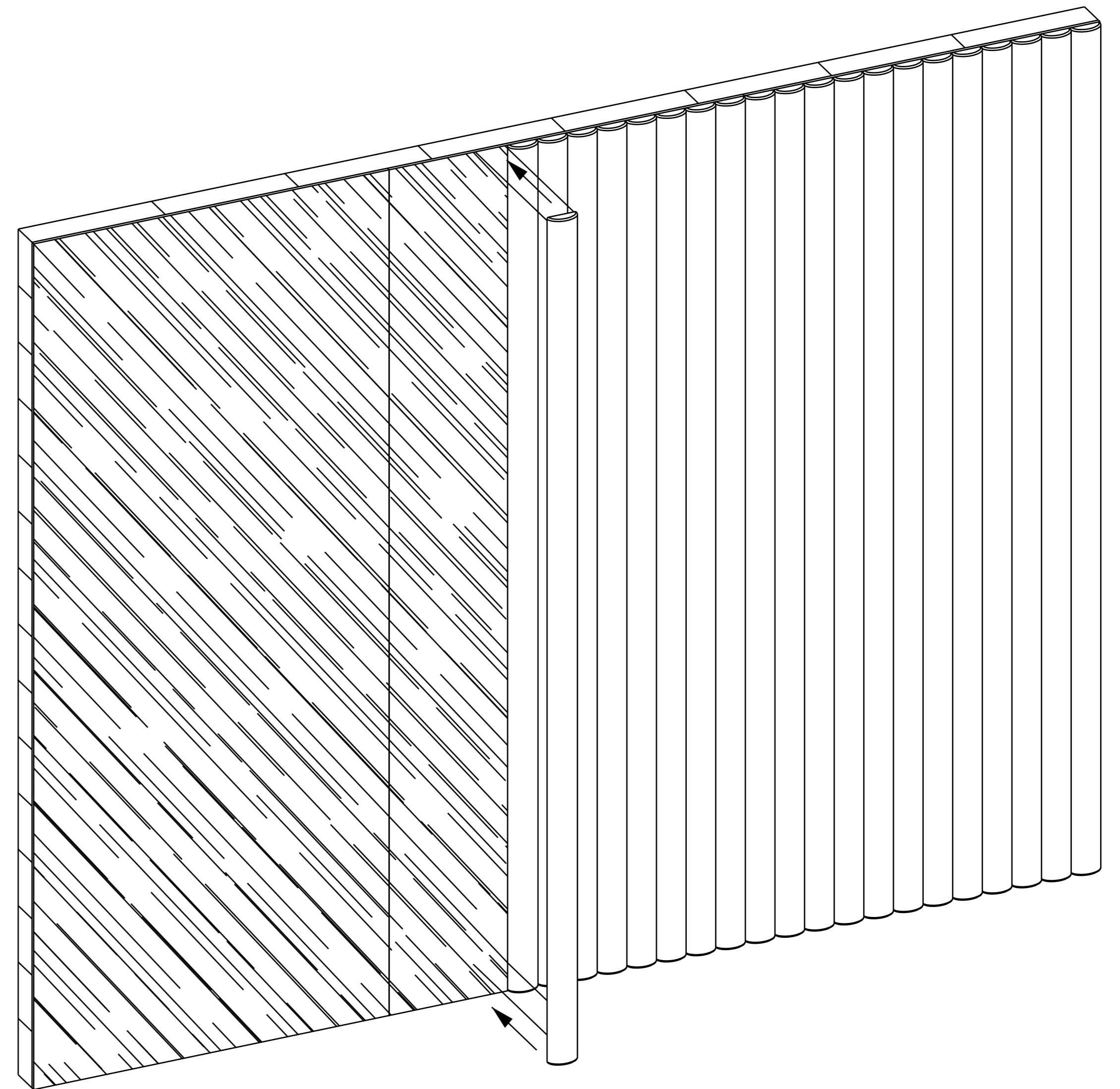
Step B:

Apply adhesive to both the wall surface and the back of the Plush. Use the recommended adhesive and apply it evenly to ensure proper adhesion.



Step C:

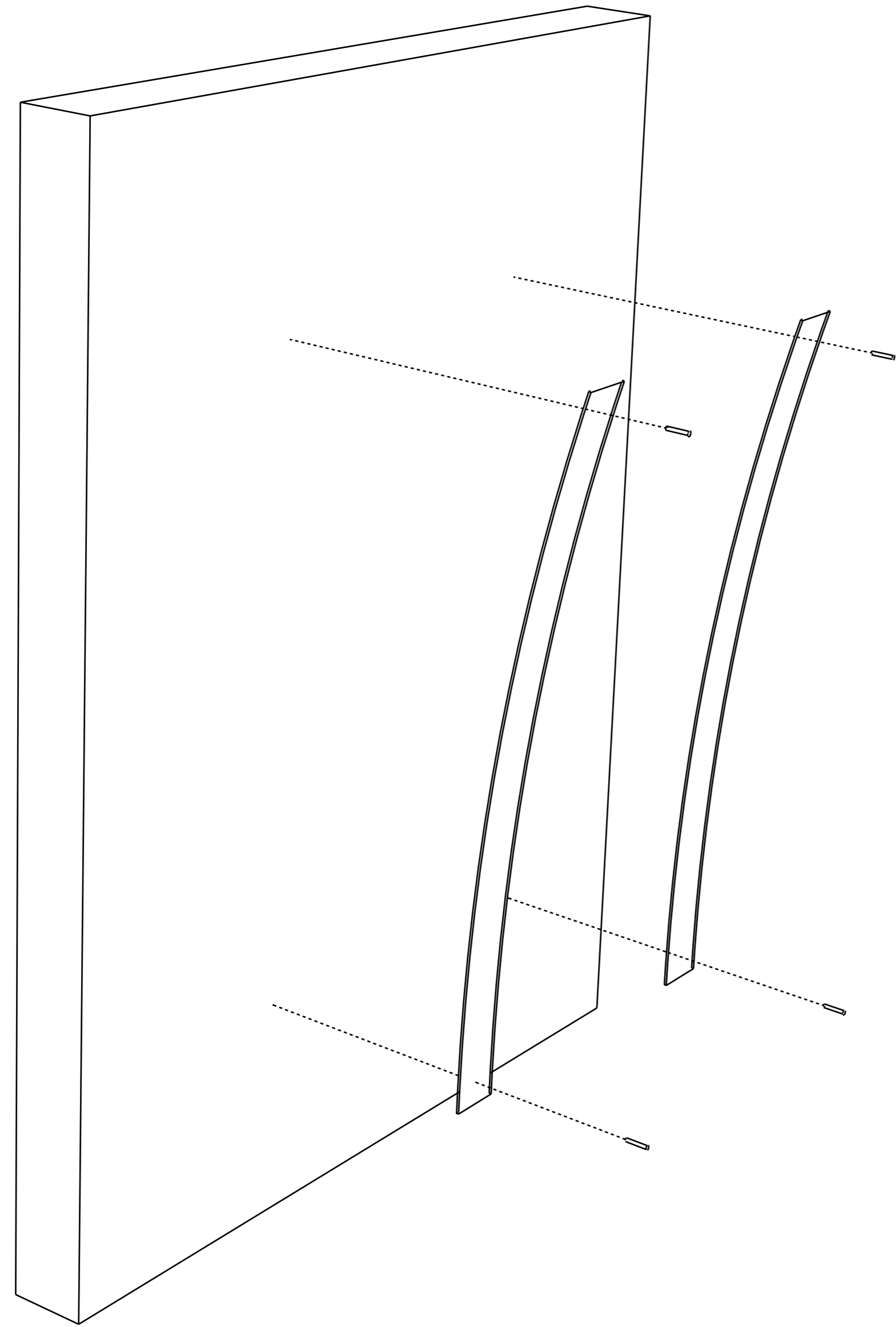
Carefully place the Plush onto the wall surface according to the drawing details provided. Be sure to align it properly and press firmly to ensure a secure bond.



(Walls with Velcros)

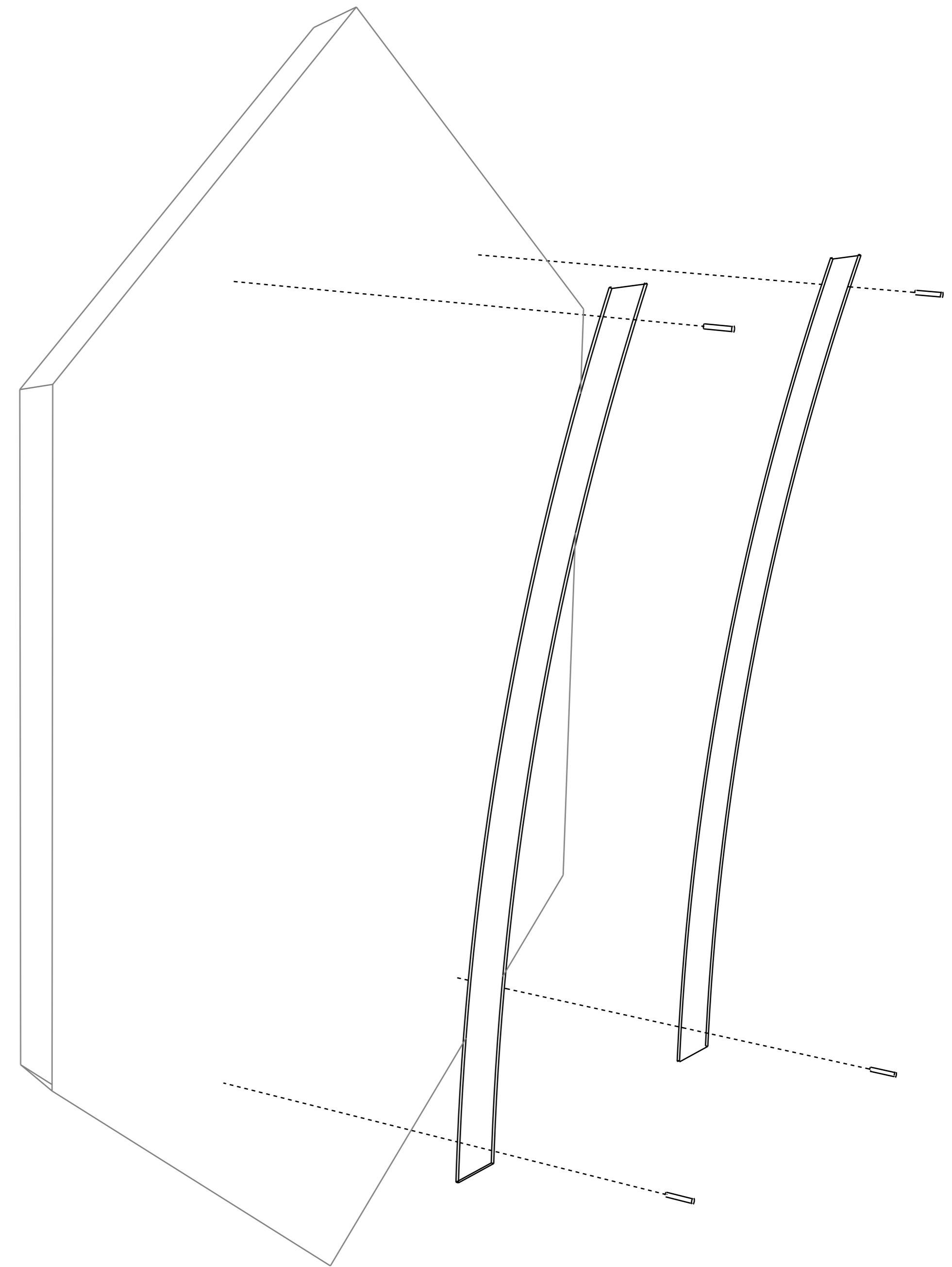
Step A:

Apply velcro strap on finish wall surface using glue and screws.



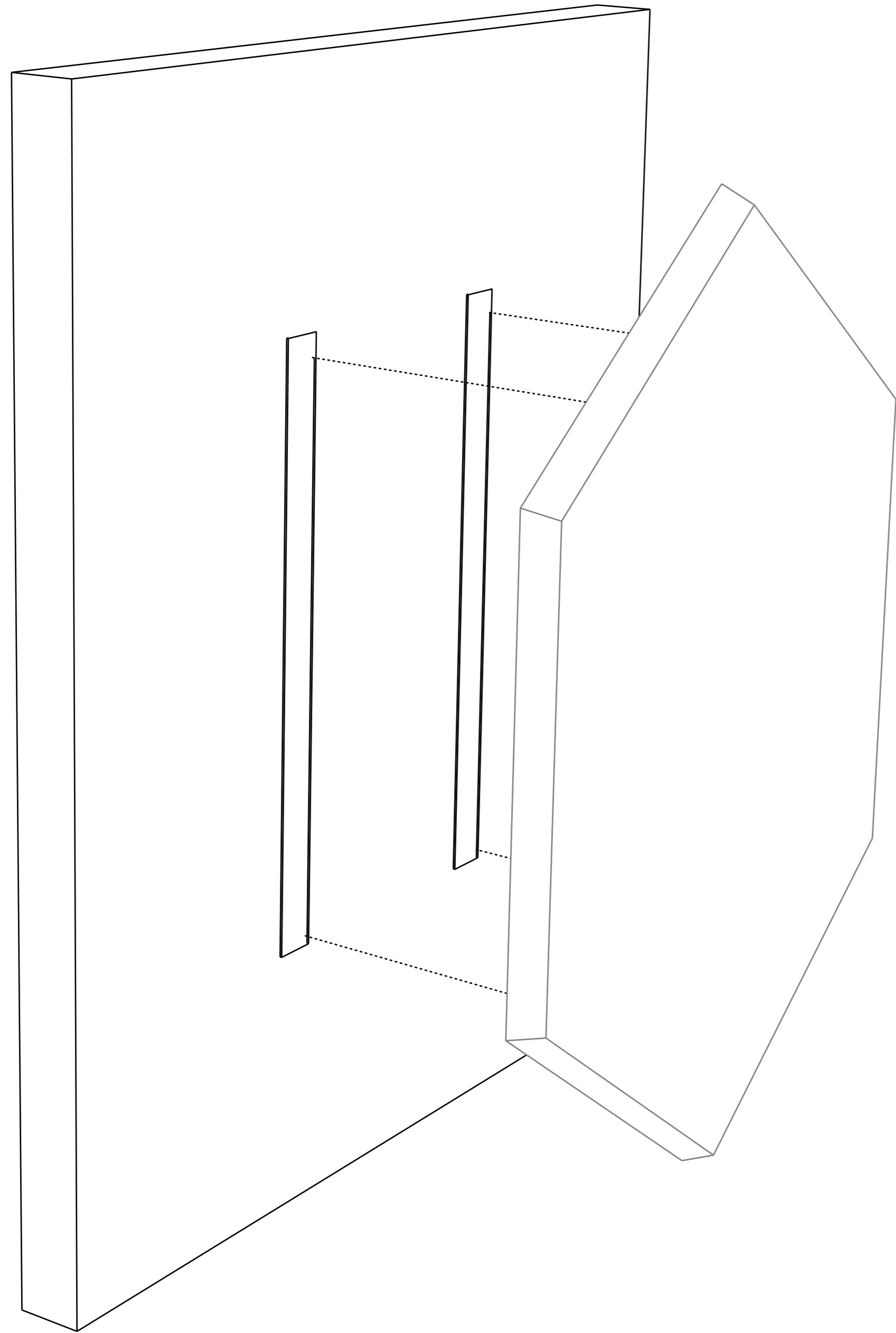
Step B:

Position velcro on the same spot on plush module using glue and screws.



Step C:

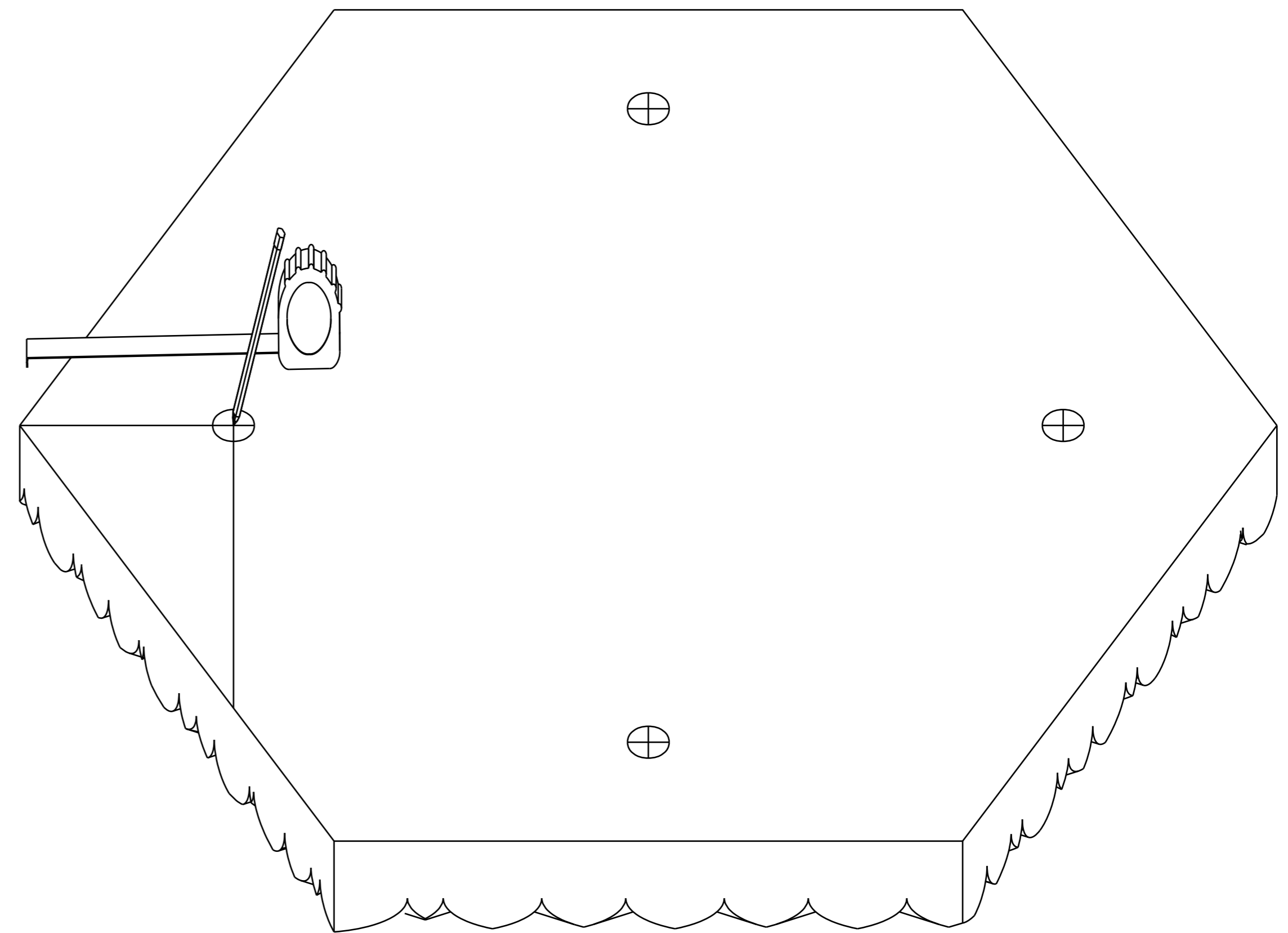
Mount the panel on wall surface by applying slight pressure in the right direction.



(Ceilings with Interlocking hardware)

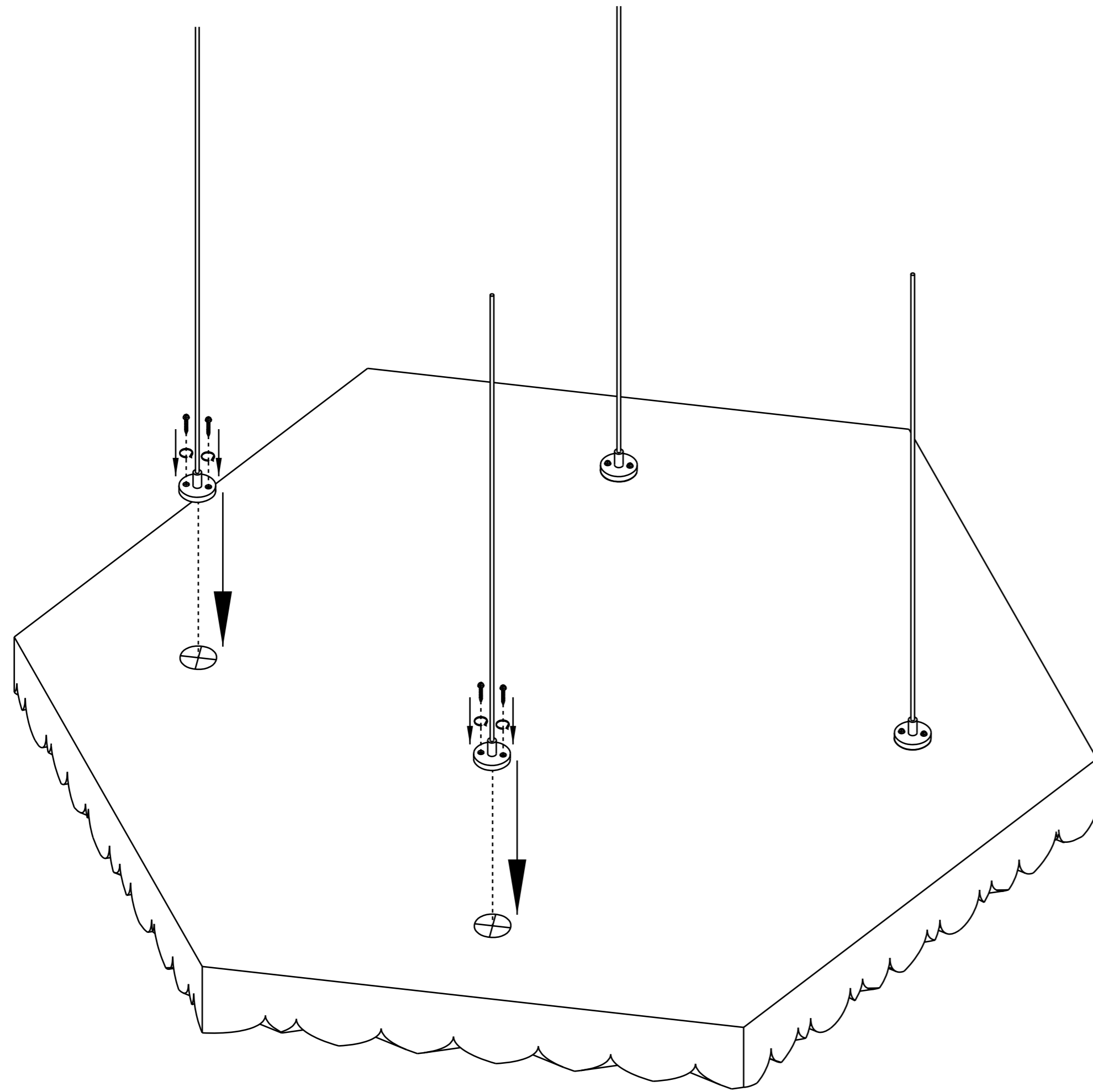
Step A:

Measure and position ceiling module to mount hardware.



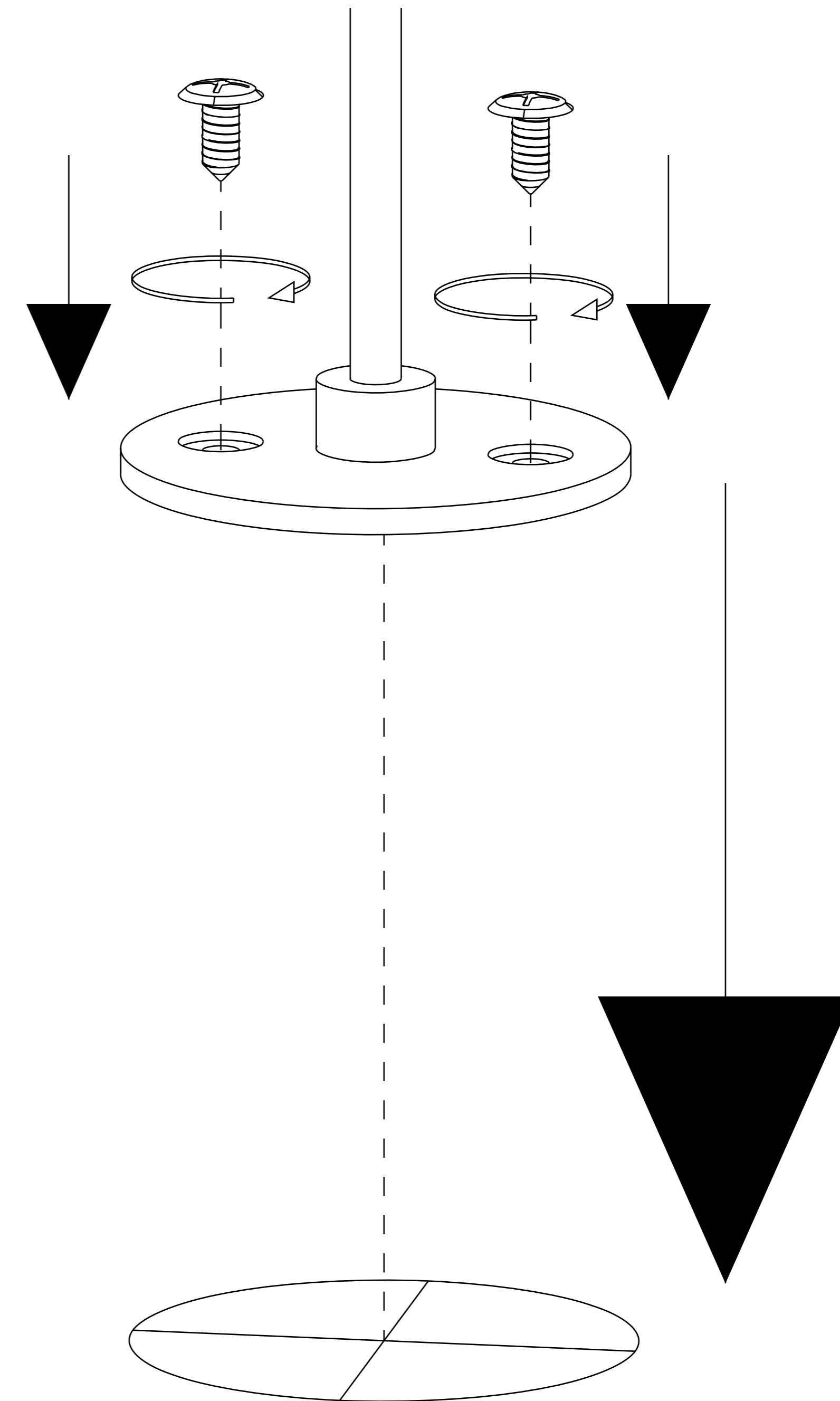
Step B:

Apply mounting kit hardware with screws to the ceiling module.



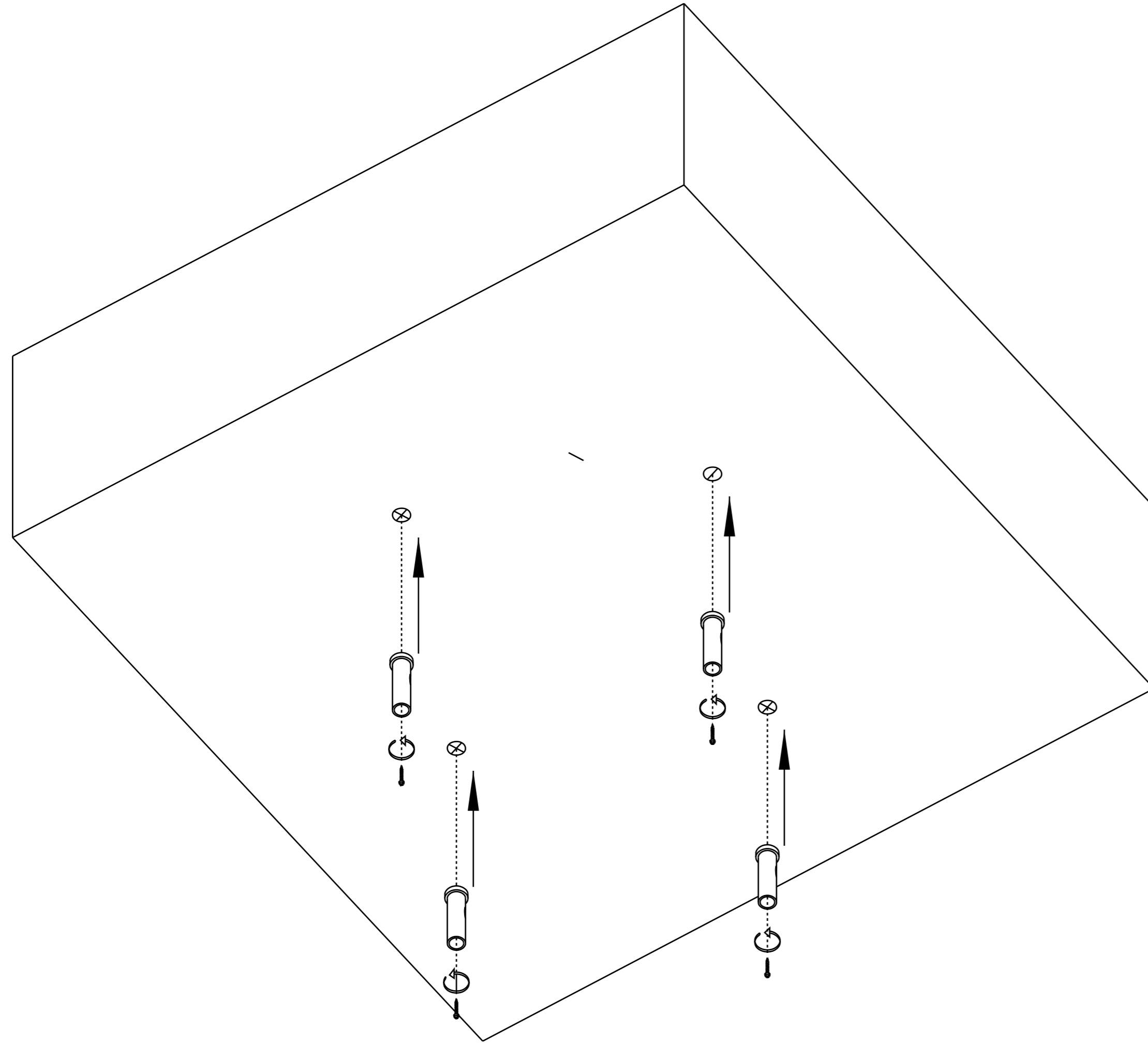
Step C:

Follow the closed-up view to mount screws onto the marked area of the module.



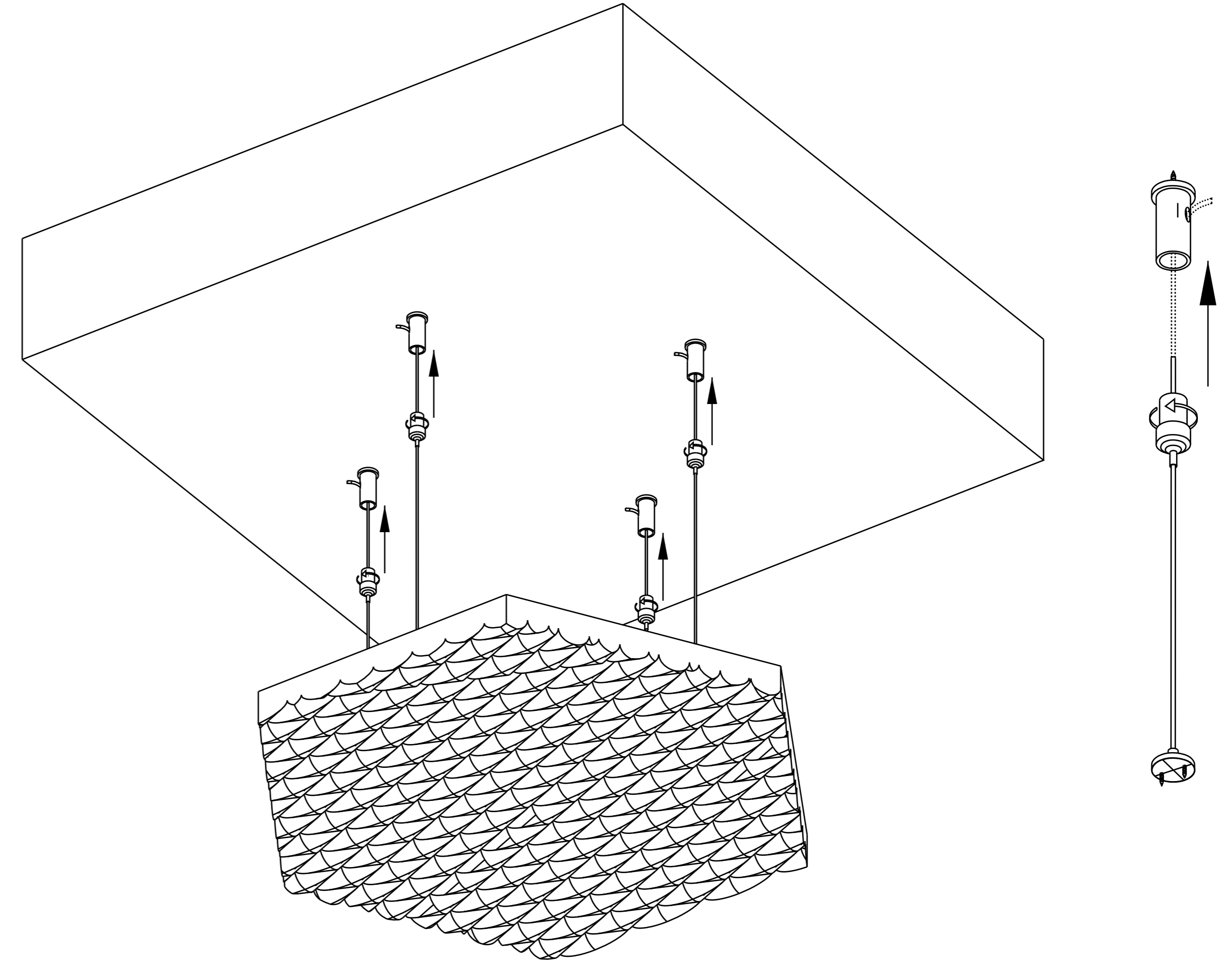
Step D:

Mark ceiling with a marker as per ceiling module size and screw in mounting hardware.



Step E:

Attach mounting kit of ceiling module to ceiling hardware, which features a clutch wire system to adjust the height as needed.



 info@sensesakustik.com

 www.sensesakustik.com