



# Technical Specifications

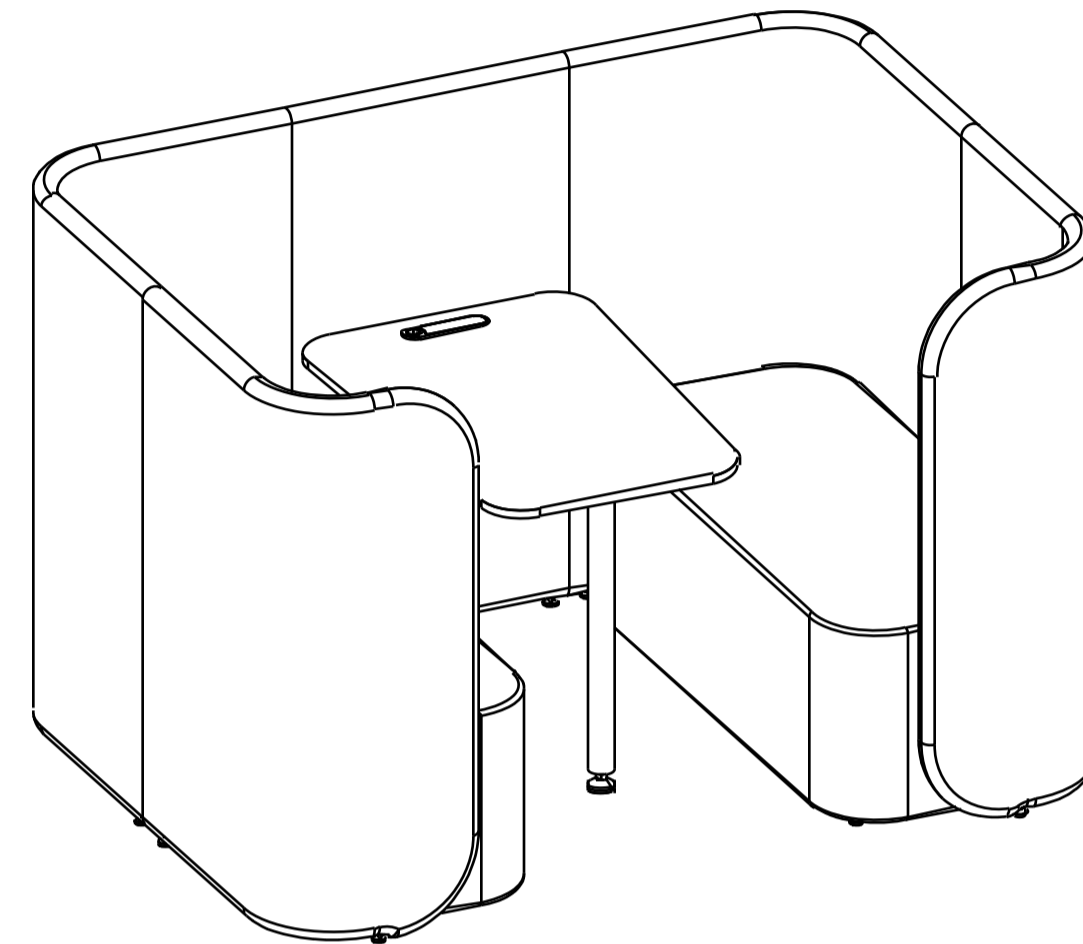
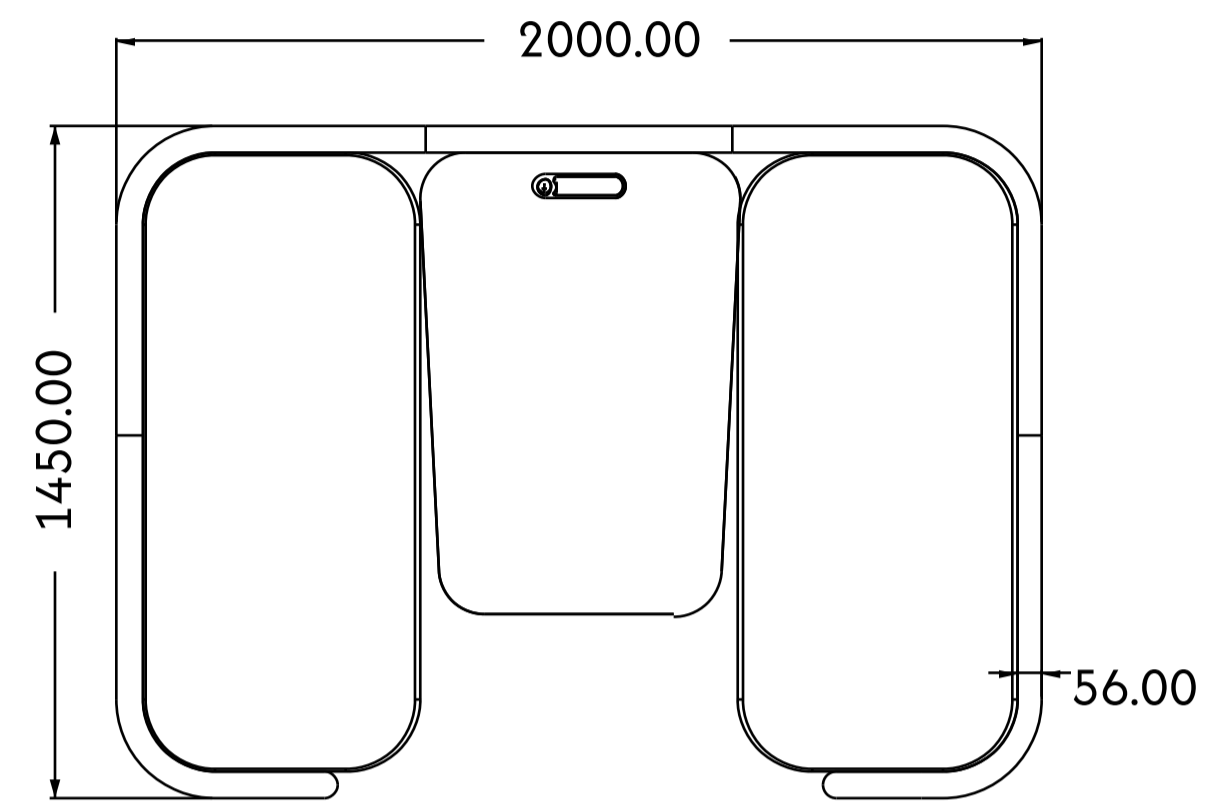
## Composition

<b>Base</b>	Plywood
<b>Core</b>	Acoustic Foam (Polyurethane)
<b>Finish</b>	Fabrics
<b>Worktop</b>	<ul style="list-style-type: none"><li>• Base : Plywood</li><li>• Top &amp; Bottom : Laminates</li><li>• Colors : Black, Oak &amp; White</li><li>• Edges : Finished with edgebands</li></ul>

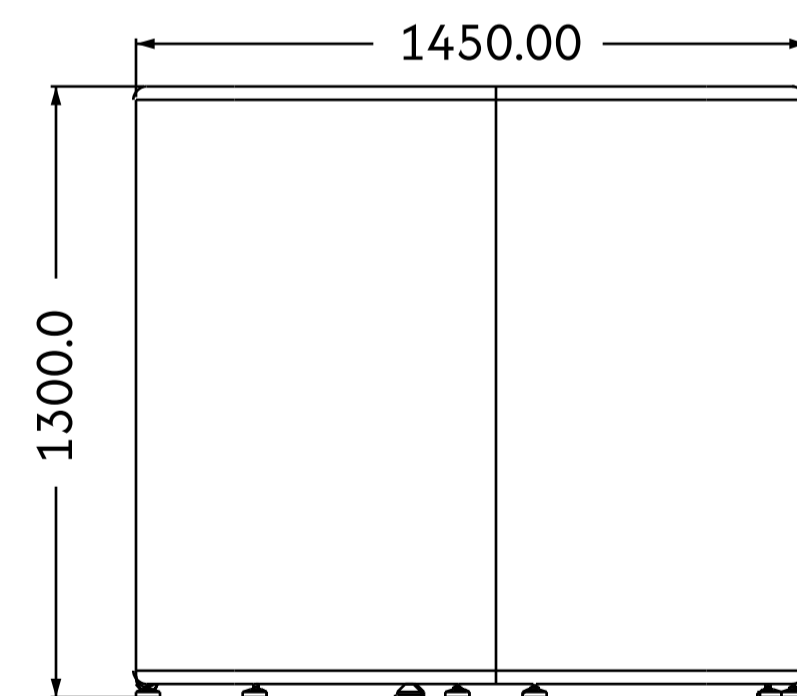
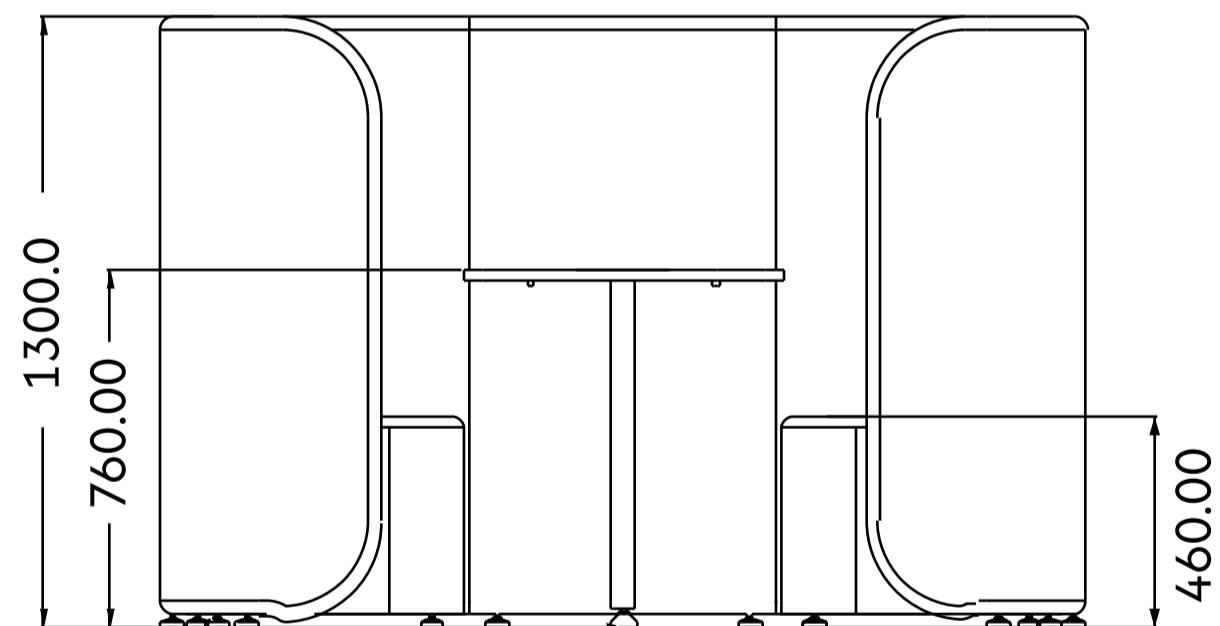


# Patterns & Dimensions

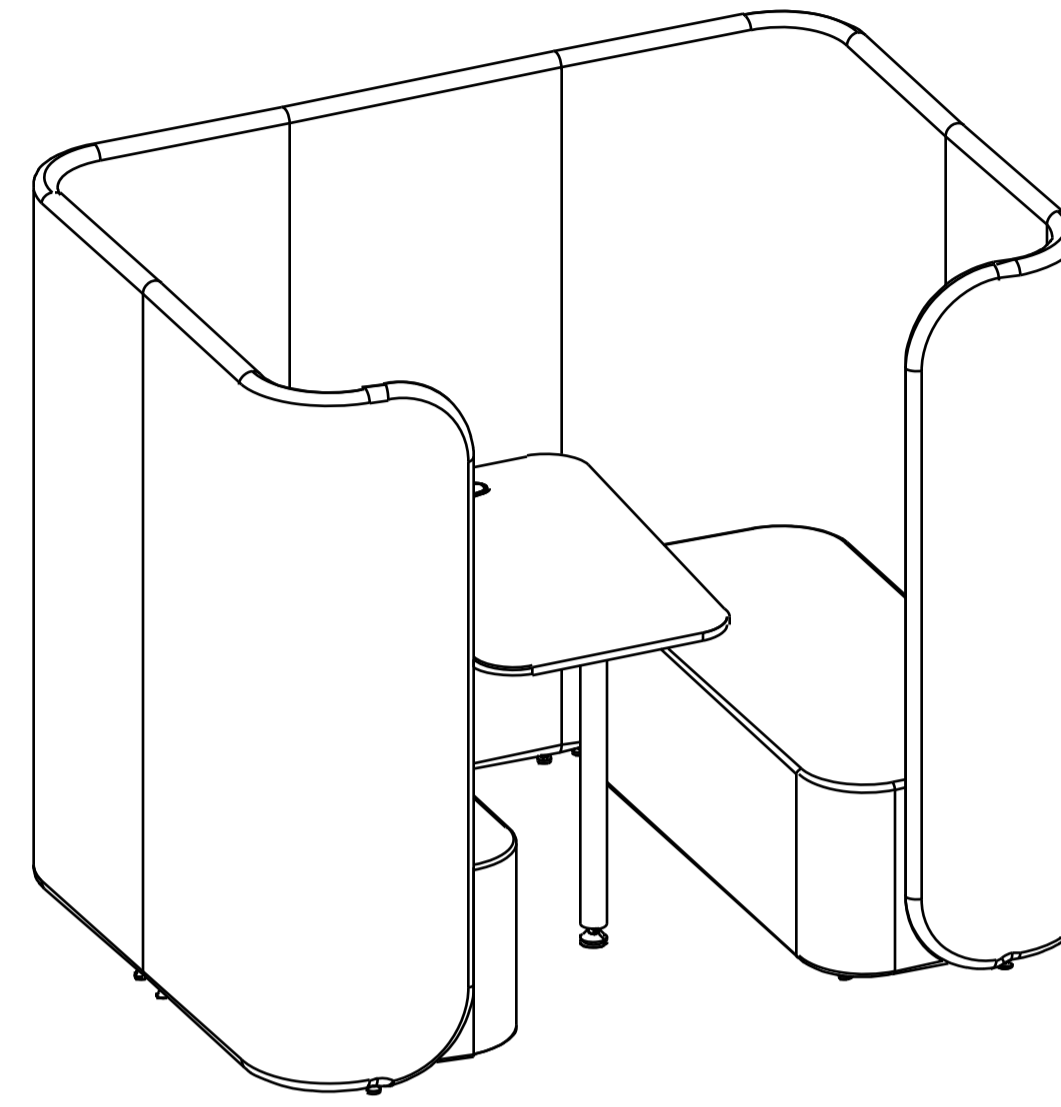
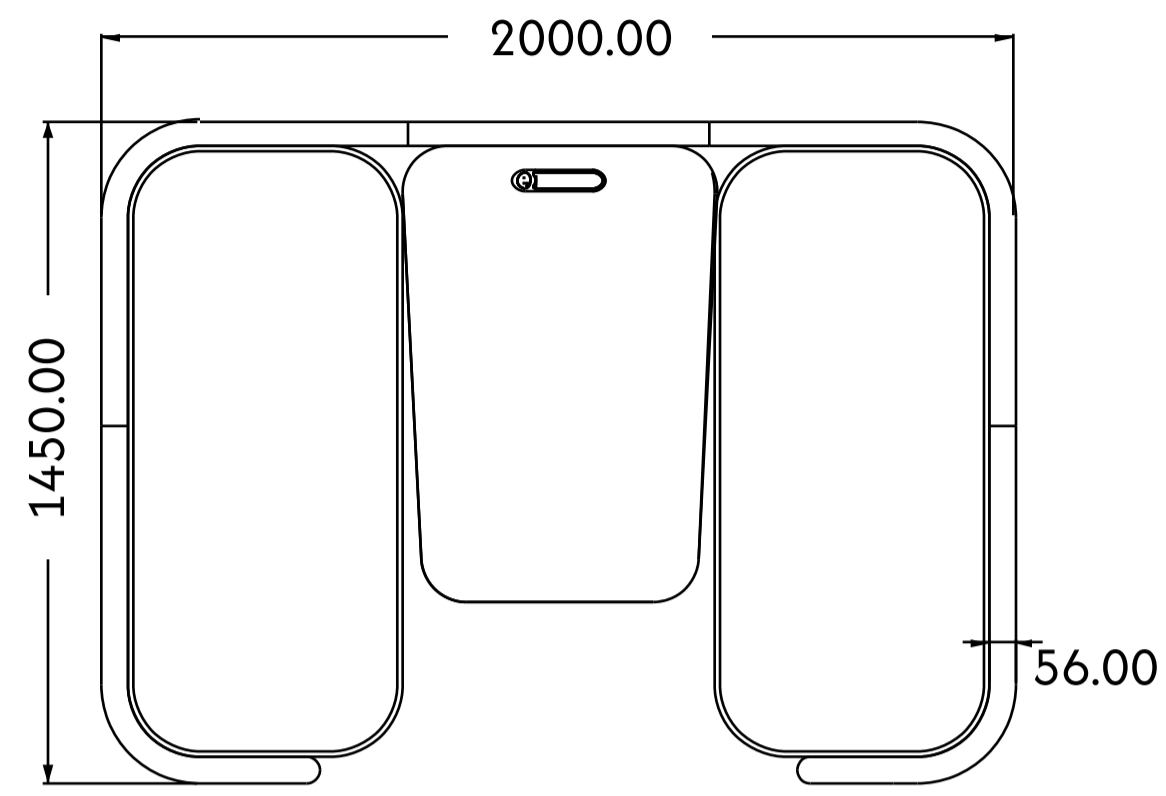
## Variant 1: 4 PAX 1300 H



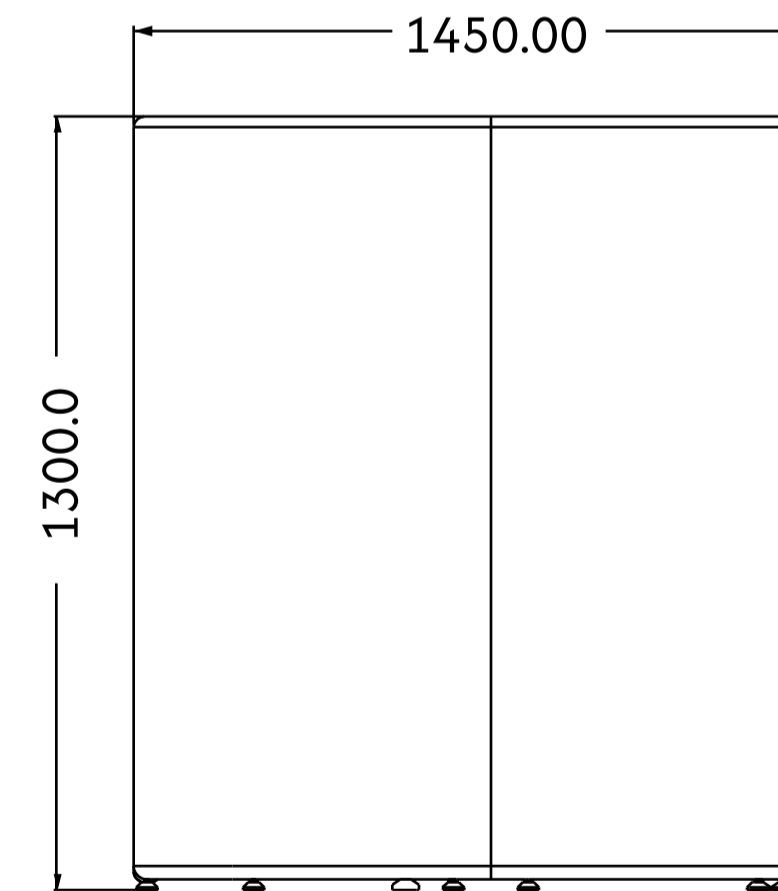
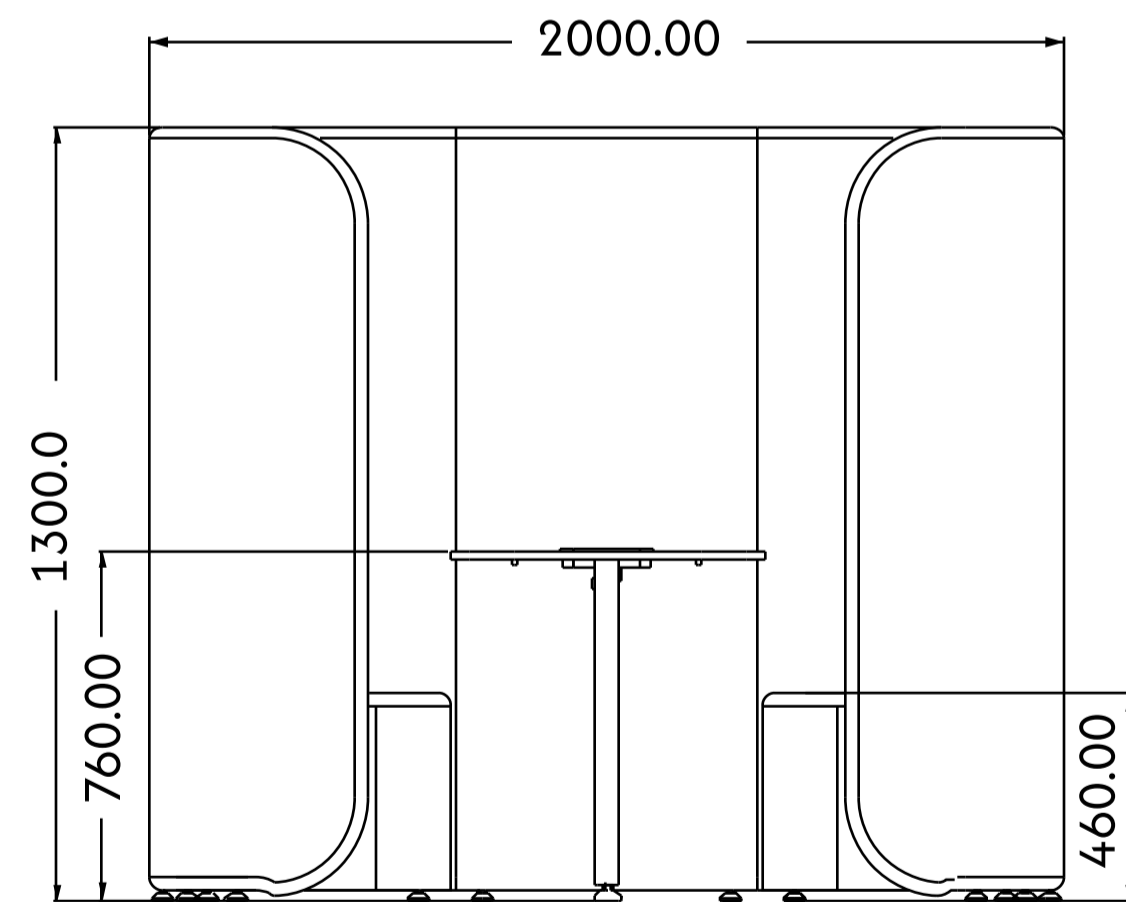
<b>Centre</b>	2000 x 1300 x 56 mm (L x H x T)
<b>Sides</b>	1450 x 1300 x 56 mm (L x H x T) / Both sides
<b>Corner radius</b>	212 mm
<b>Worktop</b>	1000 x 700 x 20 mm (L x W x T)
<b>Worktop height</b>	760 mm
<b><u>Seatings</u></b>	
<b>Base</b>	Plywood
<b>Core</b>	Acoustic Foam (Polyurethane)
<b>Finish</b>	Fabrics
<b>Dimensions</b>	1340 x 600 x 460 mm (L x W x H)



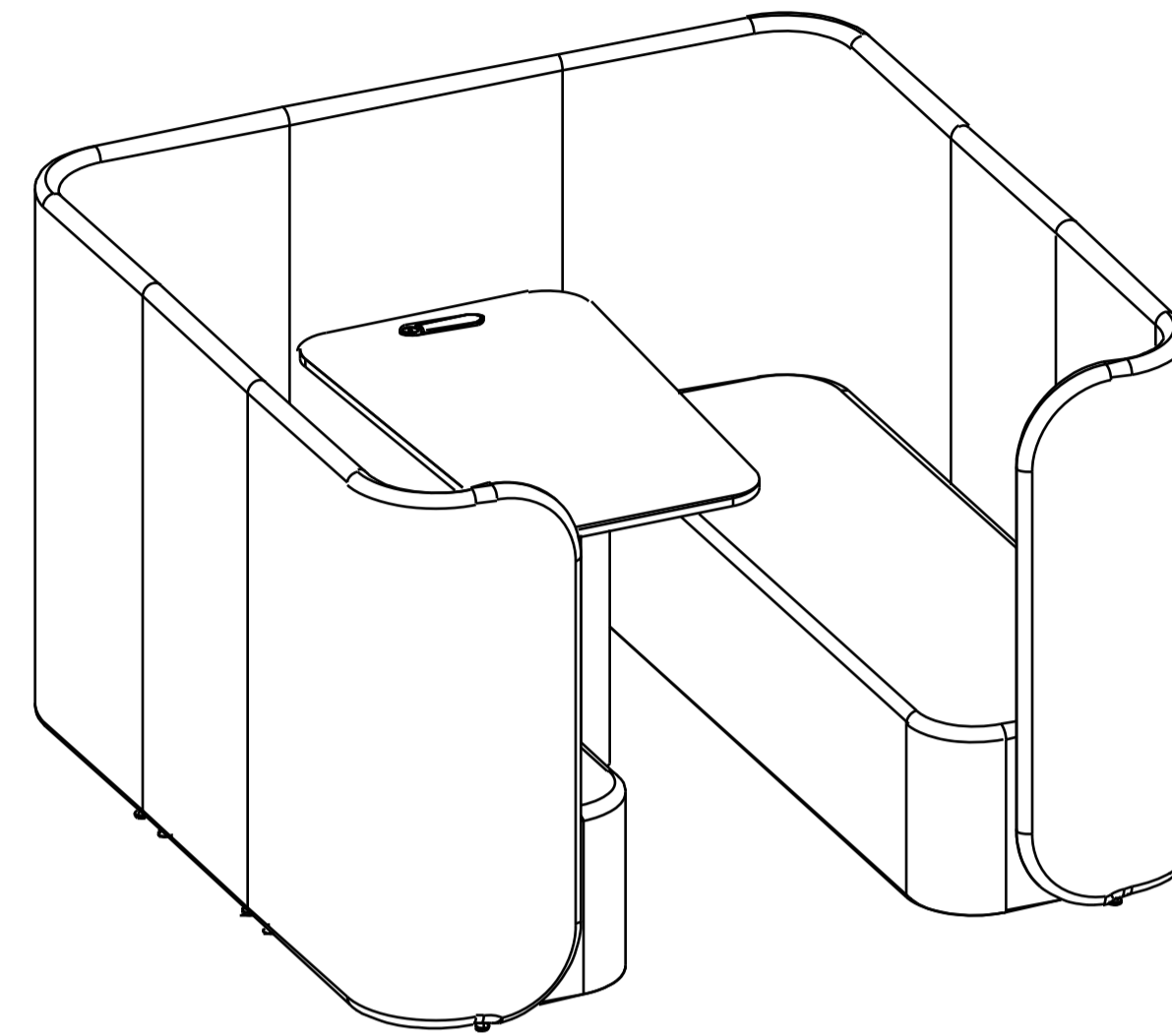
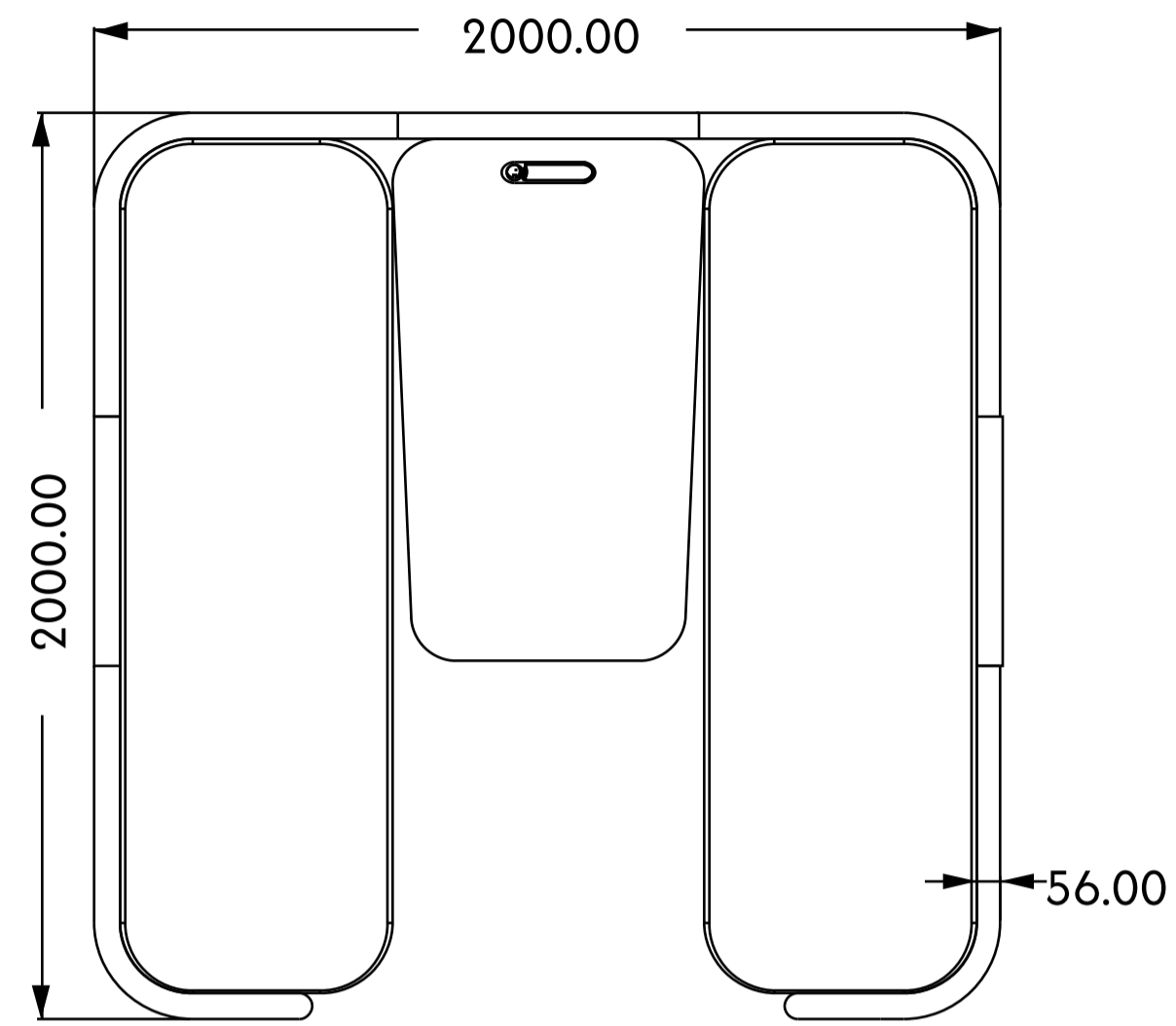
## Variant 2: 4 PAX 1700 H



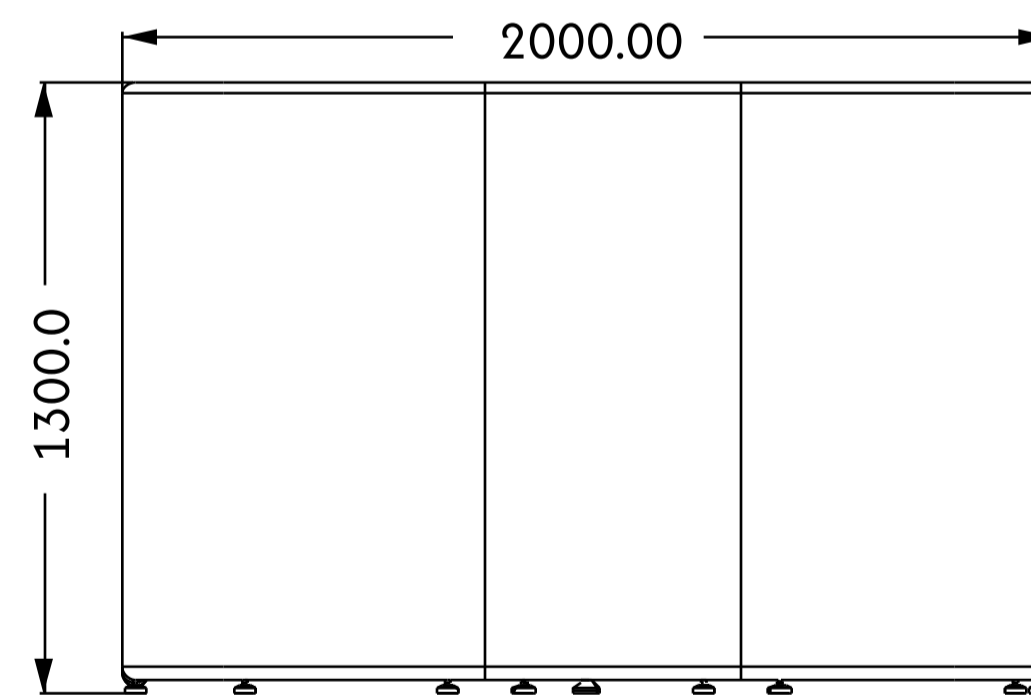
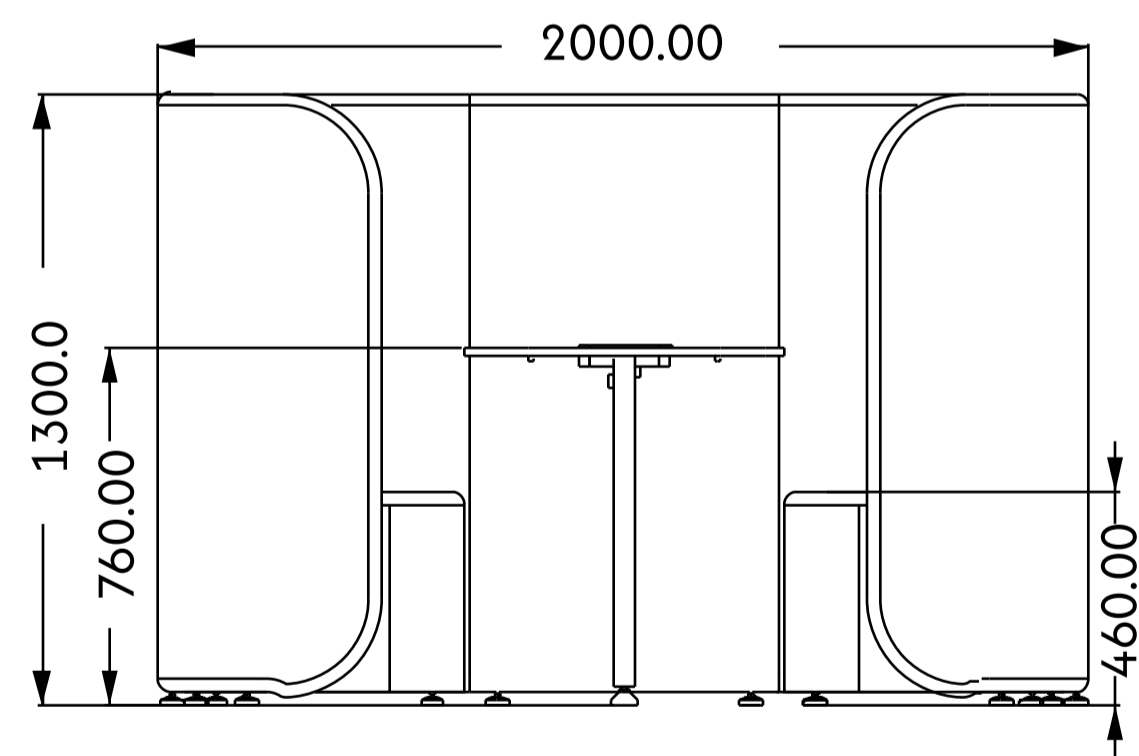
<b>Centre</b>	2000 x 1700 x 56 mm (L x H x T)
<b>Sides</b>	1450 x 1700 x 56 mm (L x H x T) / Both sides
<b>Corner radius</b>	212 mm
<b>Worktop</b>	1000 x 700 x 20 mm (L x W x T)
<b>Worktop height</b>	760 mm
<b><u>Seatings</u></b>	
<b>Base</b>	Plywood
<b>Core</b>	Acoustic Foam (Polyurethane)
<b>Finish</b>	Fabrics
<b>Dimensions</b>	1340 x 600 x 460 mm (L x W x H)



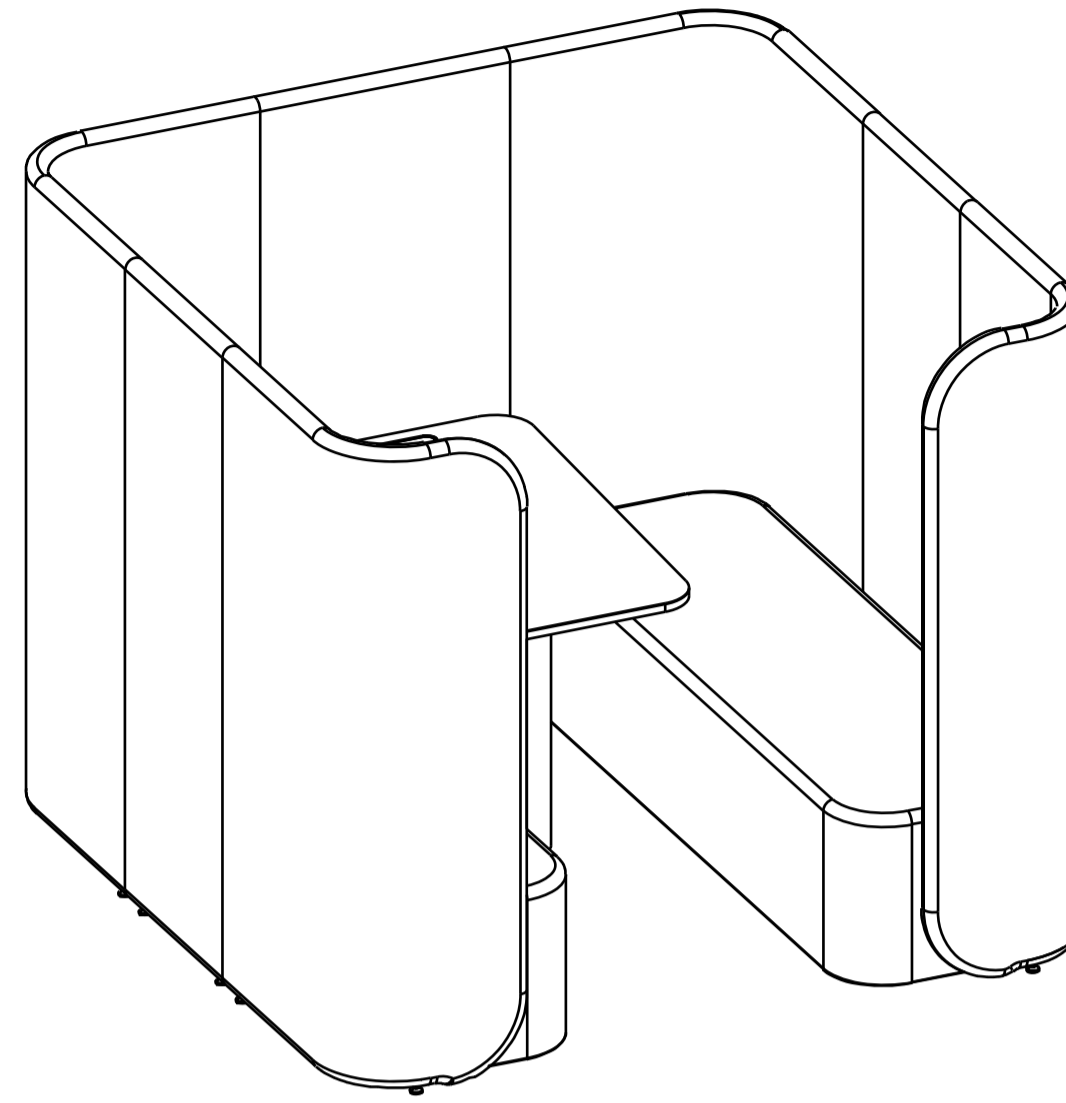
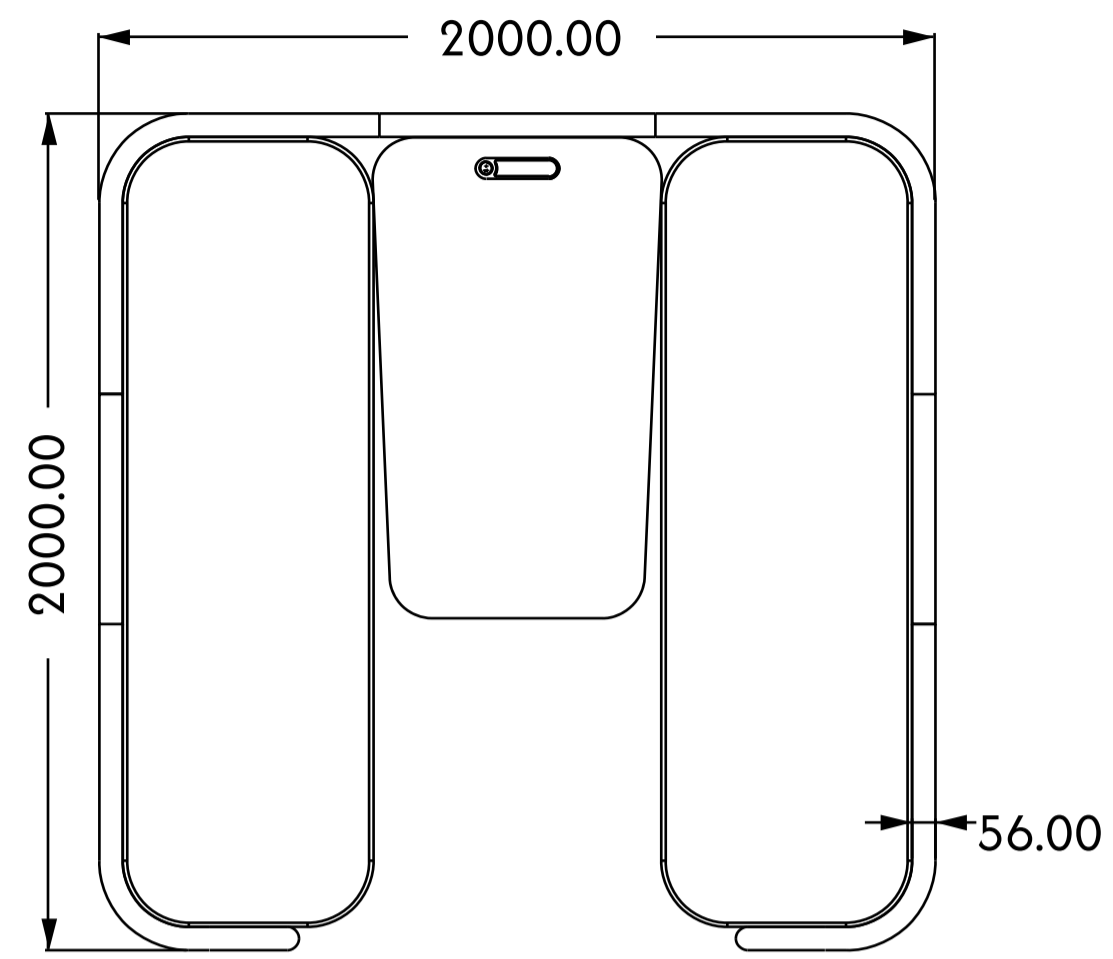
**Variant 3: 6 PAX 1300 H**



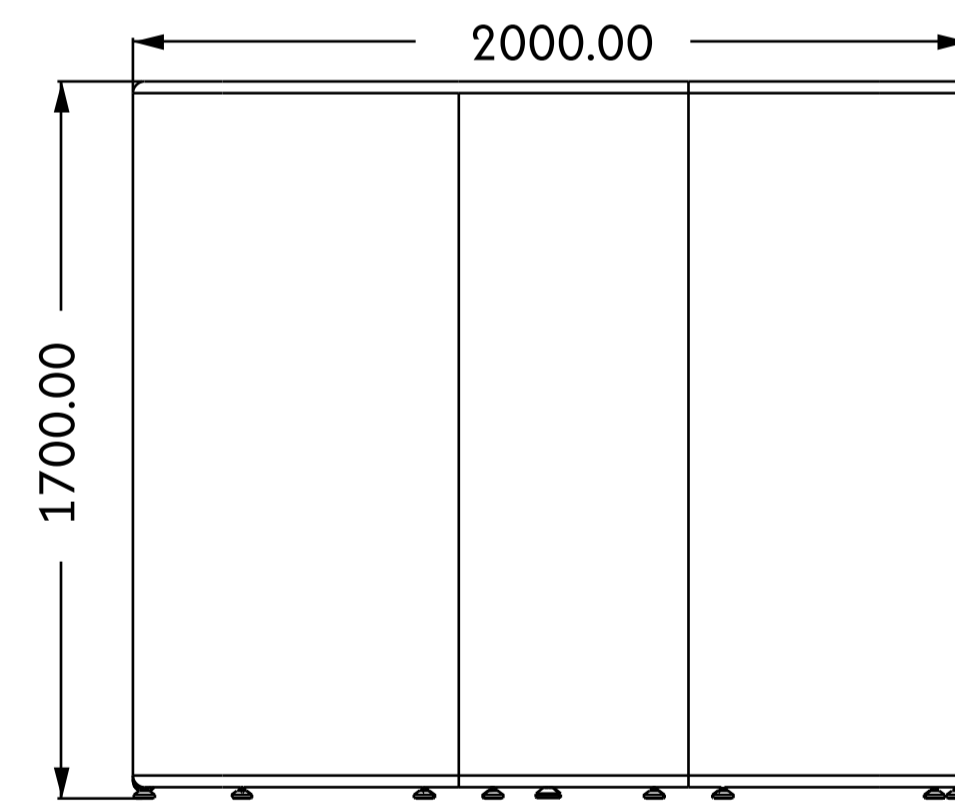
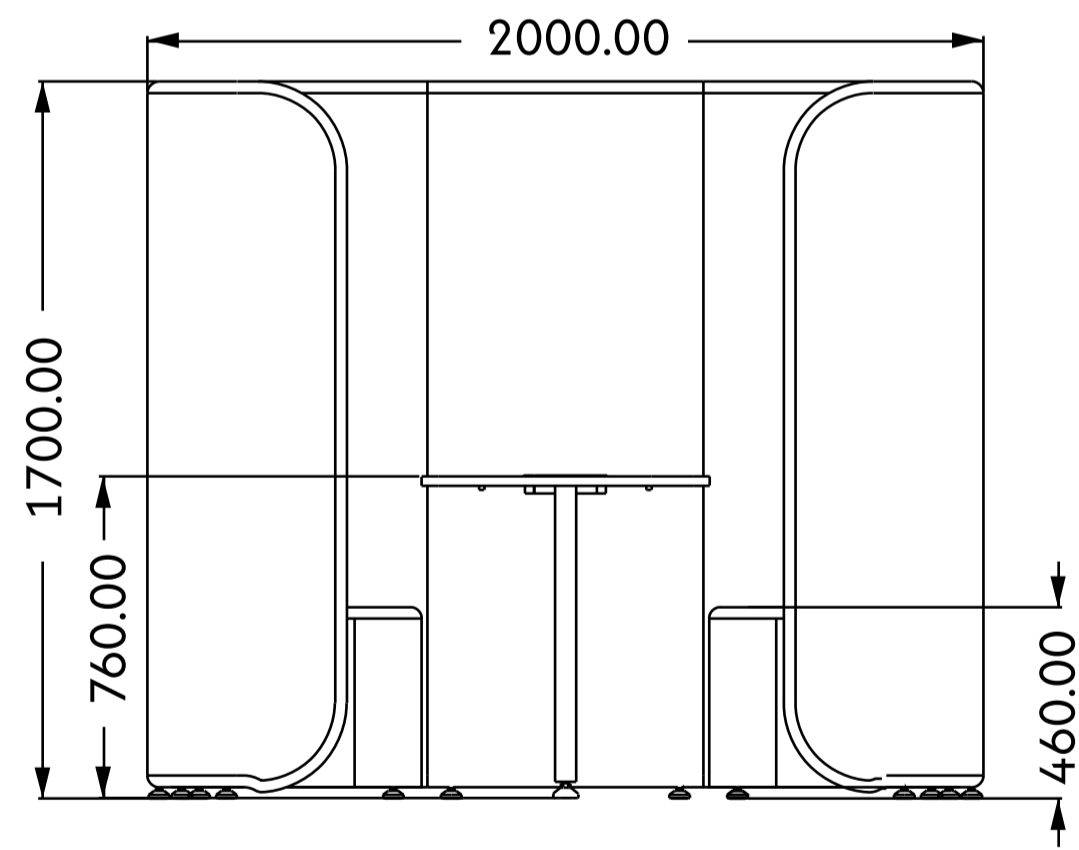
<b>Centre</b>	2000 x 1300 x 56 mm (L x H x T)
<b>Sides</b>	2000 x 1300 x 56 mm (L x H x T) / Both sides
<b>Corner radius</b>	212 mm
<b>Worktop</b>	1150 x 700 x 20 mm (L x W x T)
<b>Worktop height</b>	760 mm
<b><u>Seatings</u></b>	
<b>Base</b>	Plywood
<b>Core</b>	Acoustic Foam (Polyurethane)
<b>Finish</b>	Fabrics
<b>Dimensions</b>	1890 x 600 x 460 mm (L x W x H)



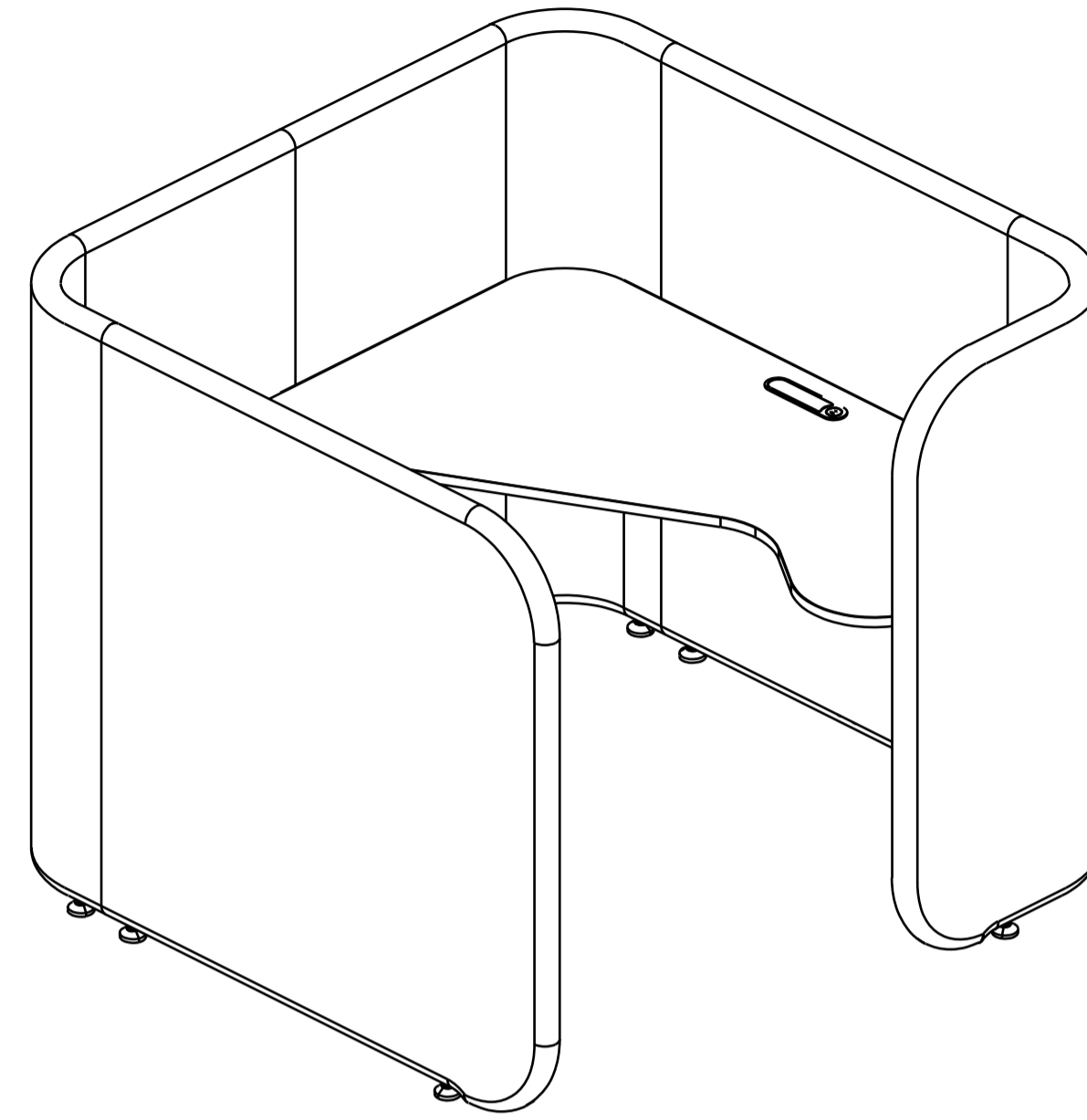
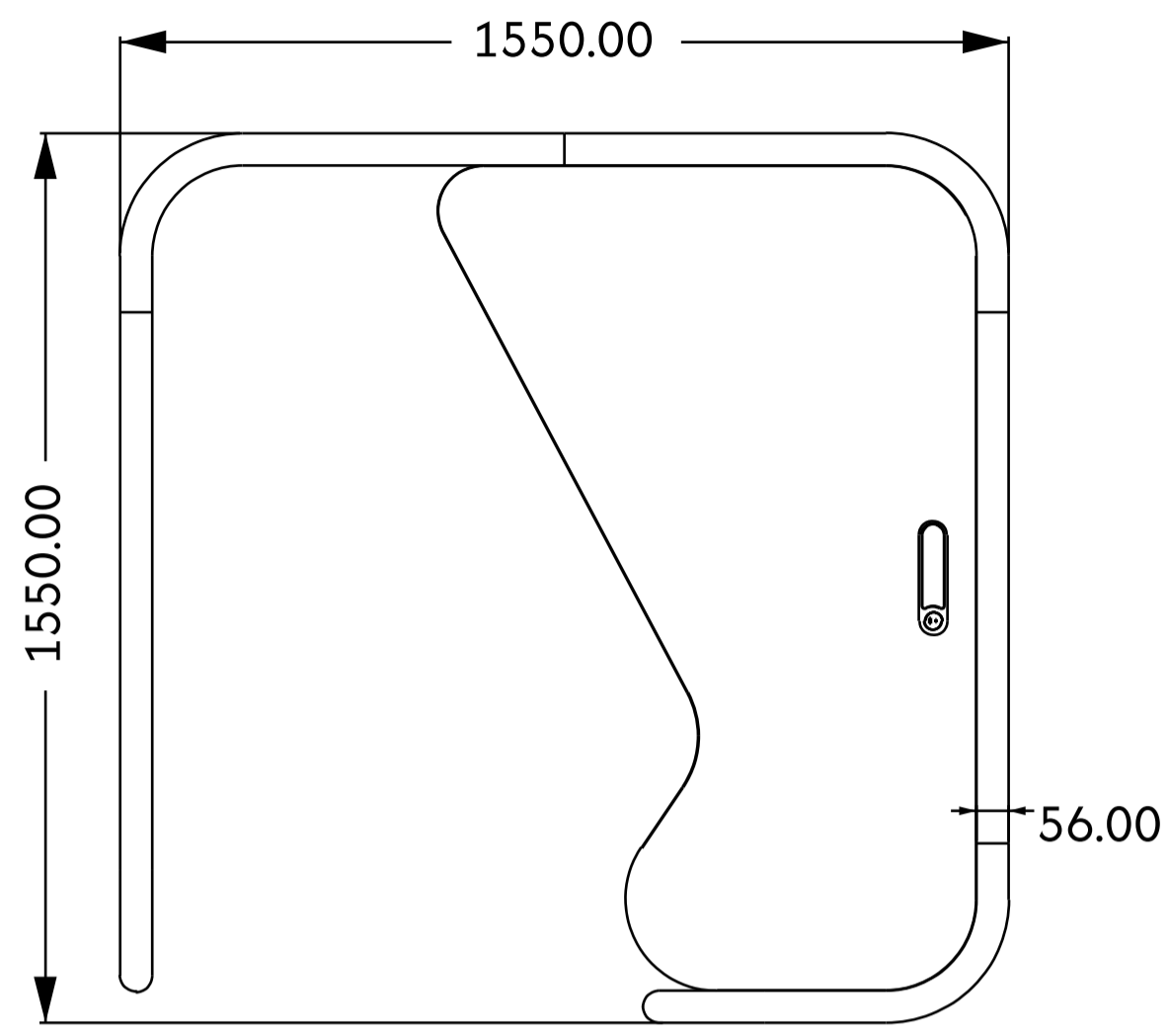
## Variant 4: 6 PAX 1700 H



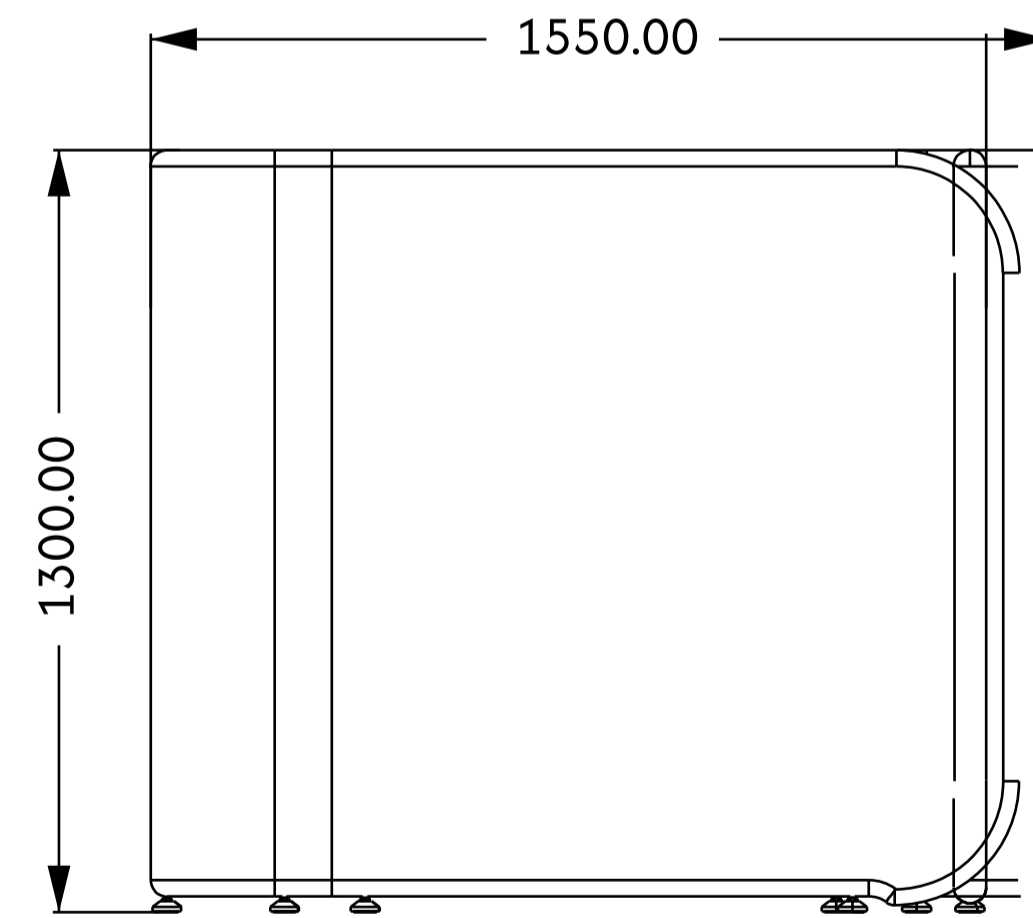
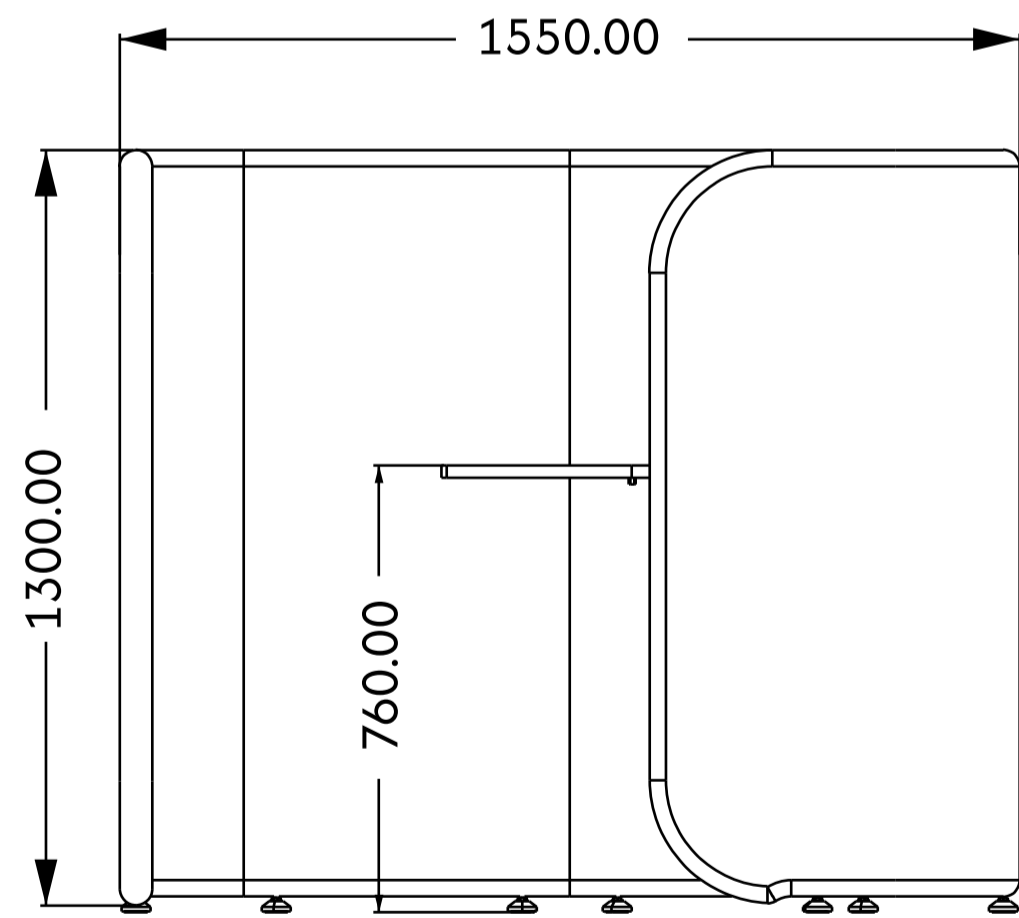
<b>Centre</b>	2000 x 1700 x 56 mm (L x H x T)
<b>Sides</b>	2000 x 1700 x 56 mm (L x H x T) / Both sides
<b>Corner radius</b>	212 mm
<b>Worktop</b>	1150 x 700 x 20 mm (L x W x T)
<b>Worktop height</b>	760 mm
<b><u>Seatings</u></b>	
<b>Base</b>	Plywood
<b>Core</b>	Acoustic Foam (Polyurethane)
<b>Finish</b>	Fabrics
<b>Dimensions</b>	1890 x 600 x 460 mm (L x W x H)



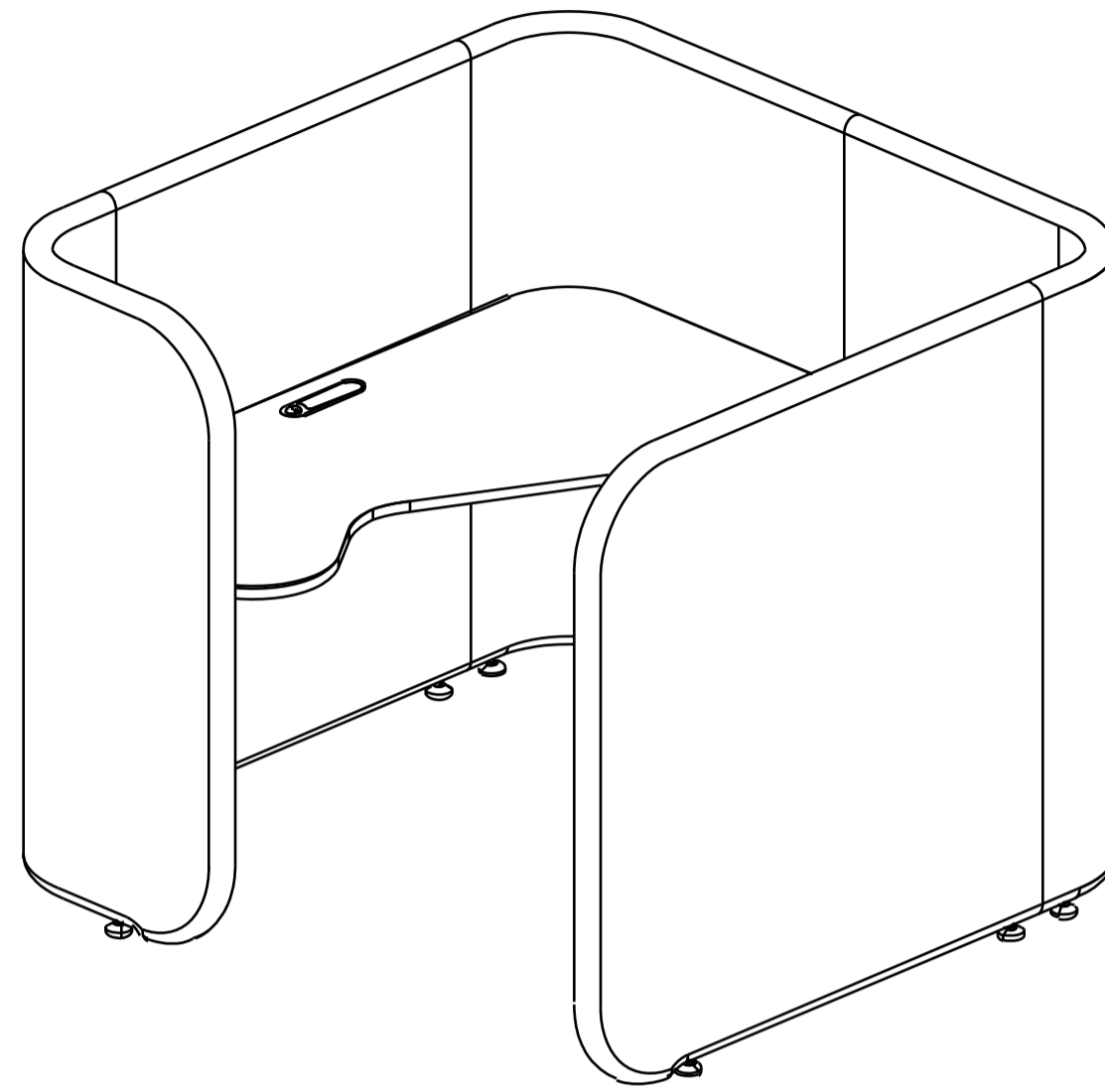
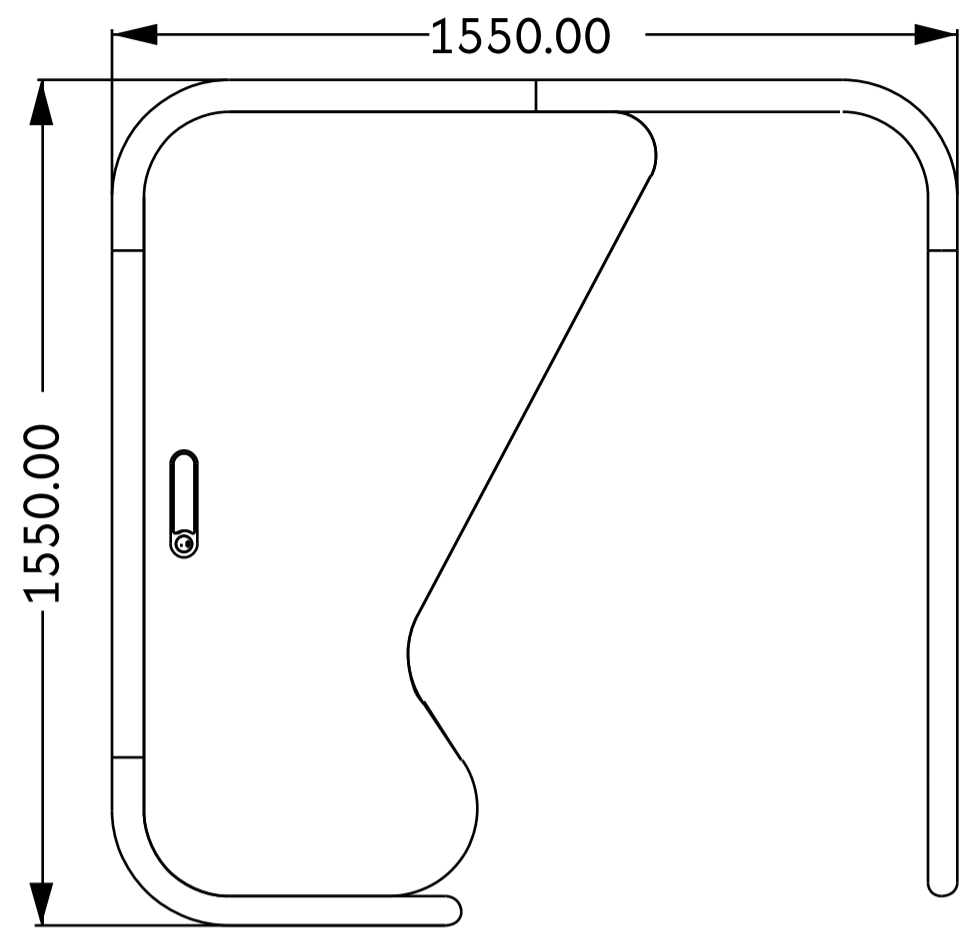
**Variant 5: I - Work (Left)**



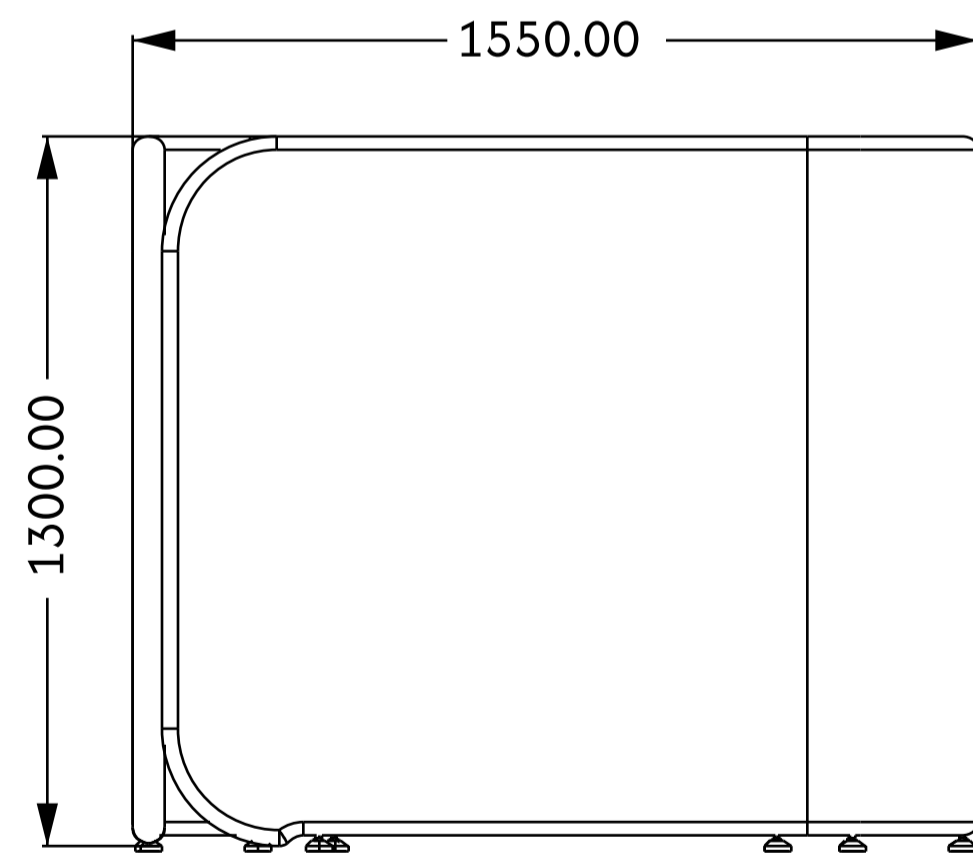
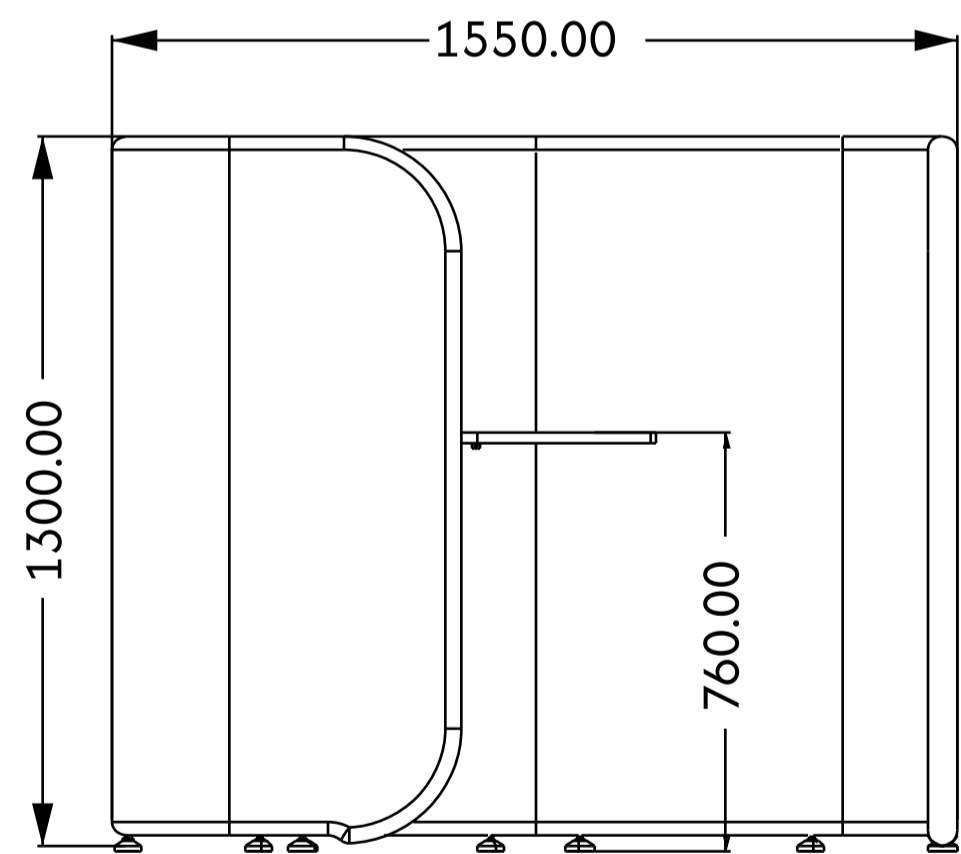
<b>Centre</b>	1550 x 1300 x 56 mm (L x H x T)
<b>Sides</b>	1550 x 1300 x 56 mm (L x H x T) / Both sides
<b>Corner radius</b>	212 mm
<b>Worktop</b>	1442 x 942 x 20 mm (L x W x T)
<b>Worktop height</b>	760 mm



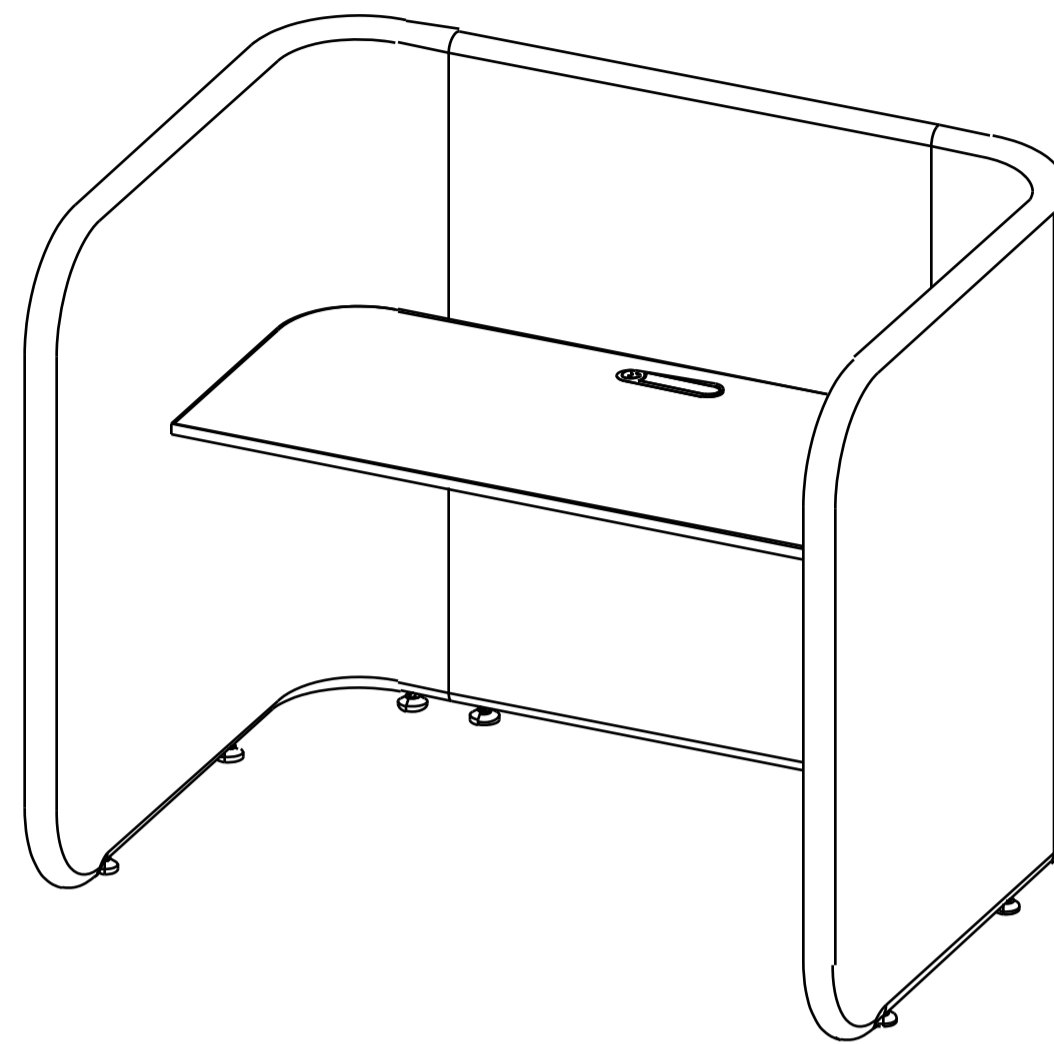
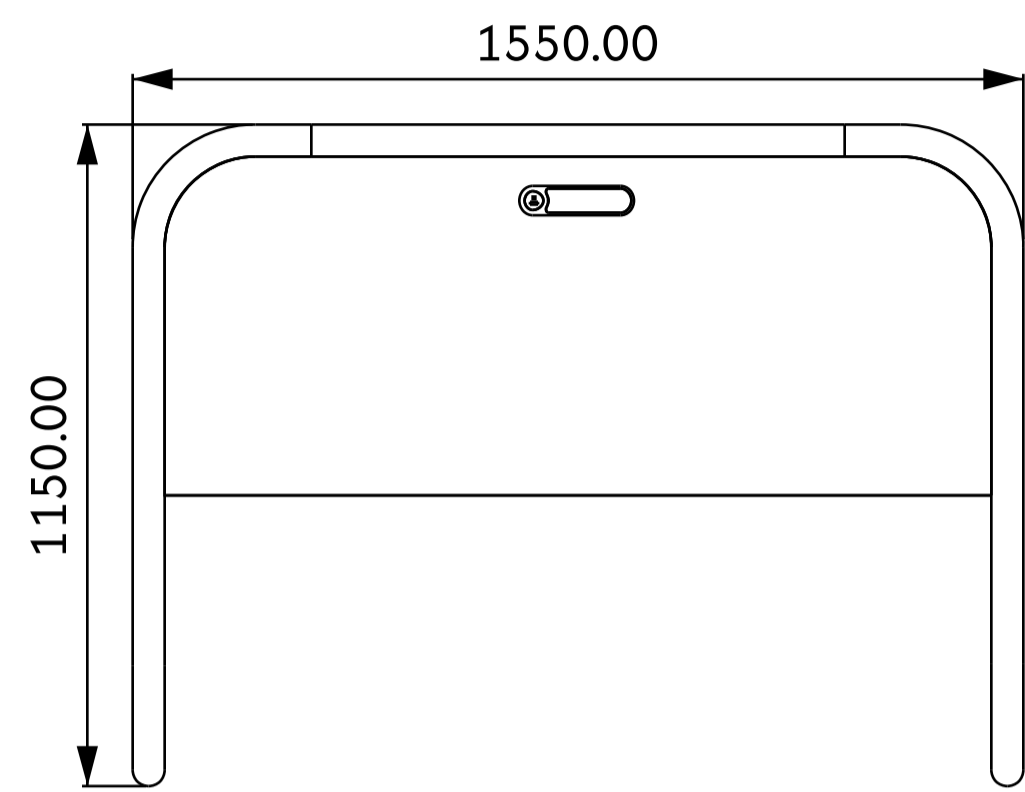
## I - Work (Right)



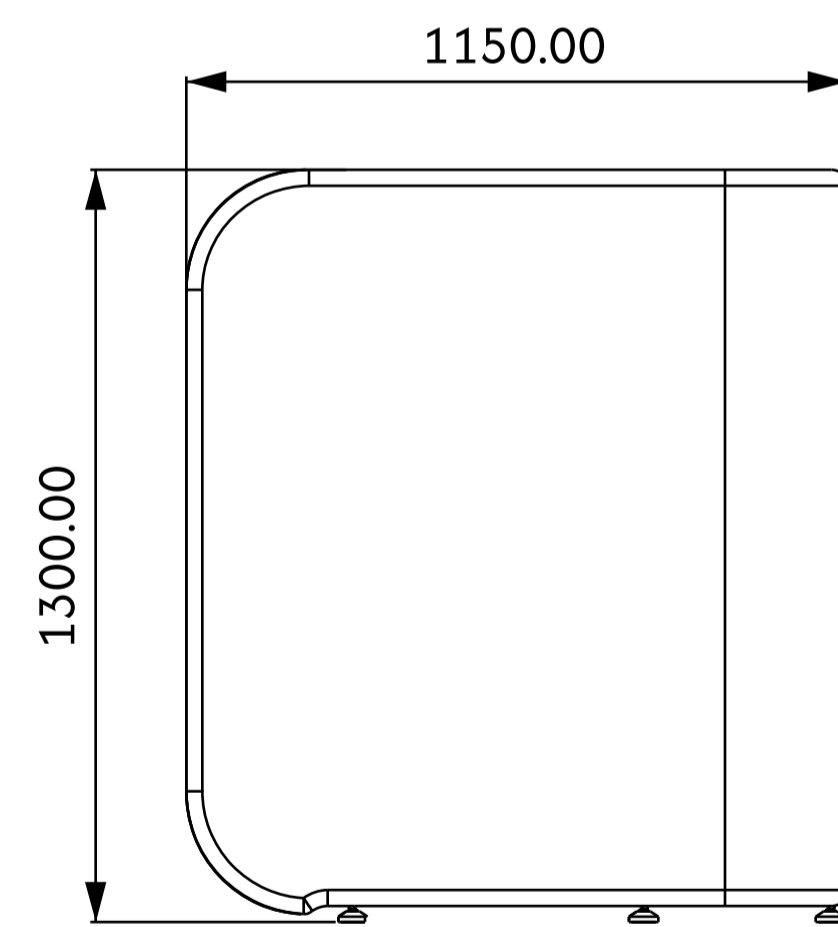
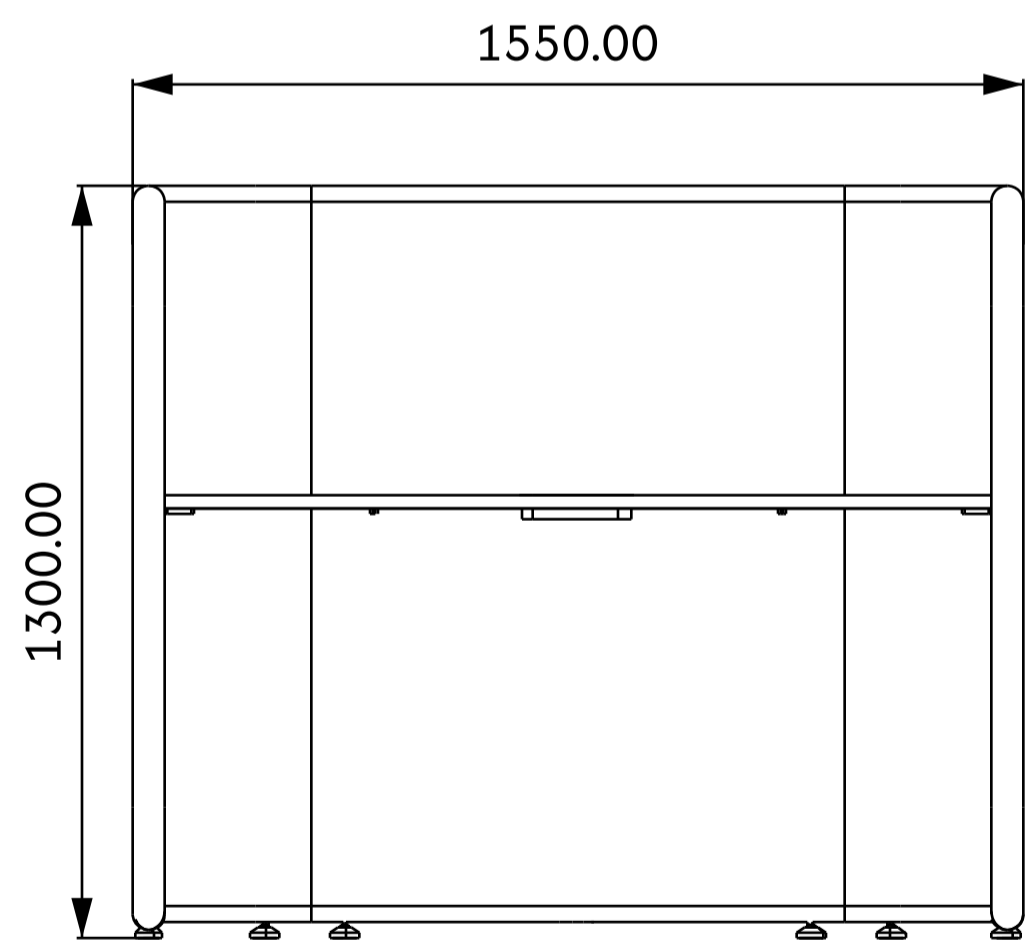
<b>Centre</b>	1550 x 1300 x 56 mm (L x H x T)
<b>Sides</b>	1550 x 1300 x 56 mm (L x H x T) / Both sides
<b>Corner radius</b>	212 mm
<b>Worktop</b>	1442 x 942 x 20 mm (L x W x T)
<b>Worktop height</b>	760 mm



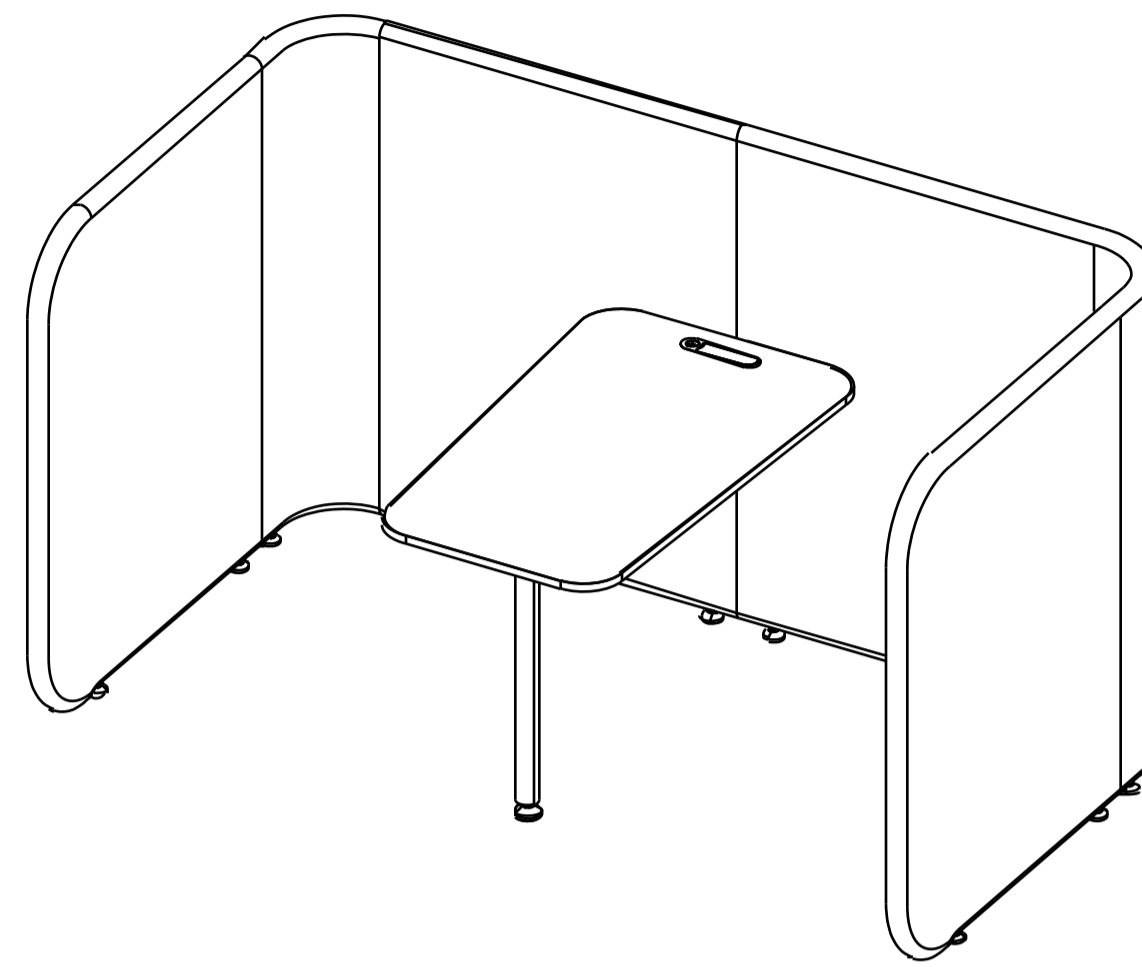
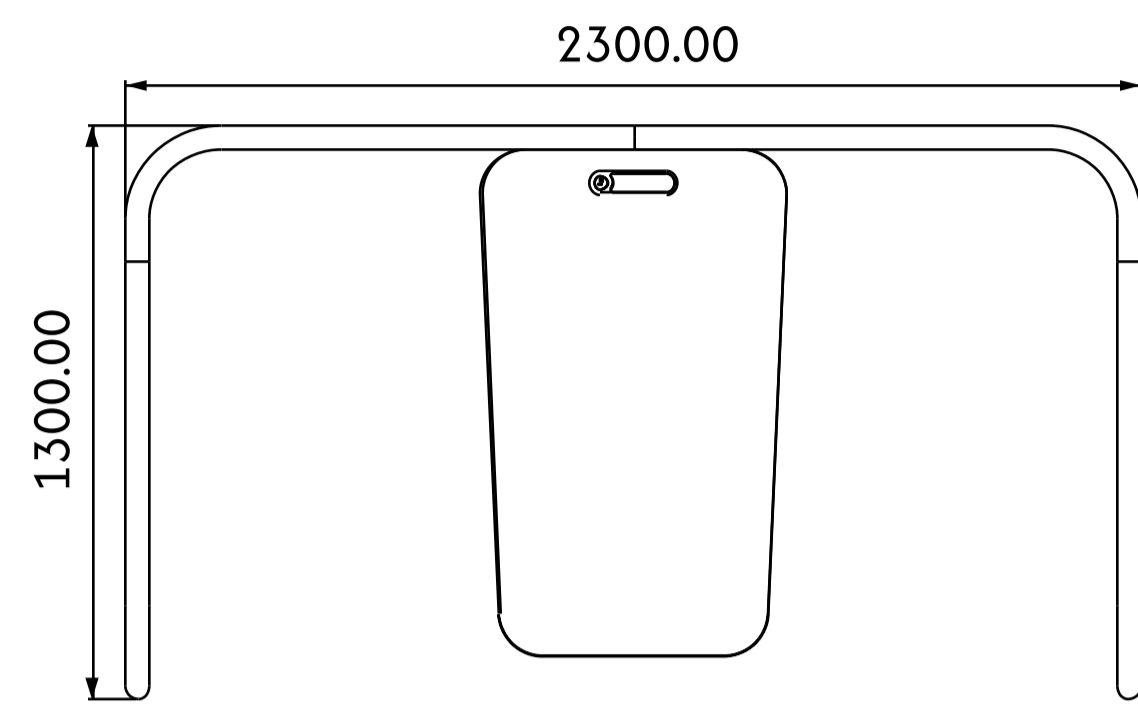
## Variant 6: Work



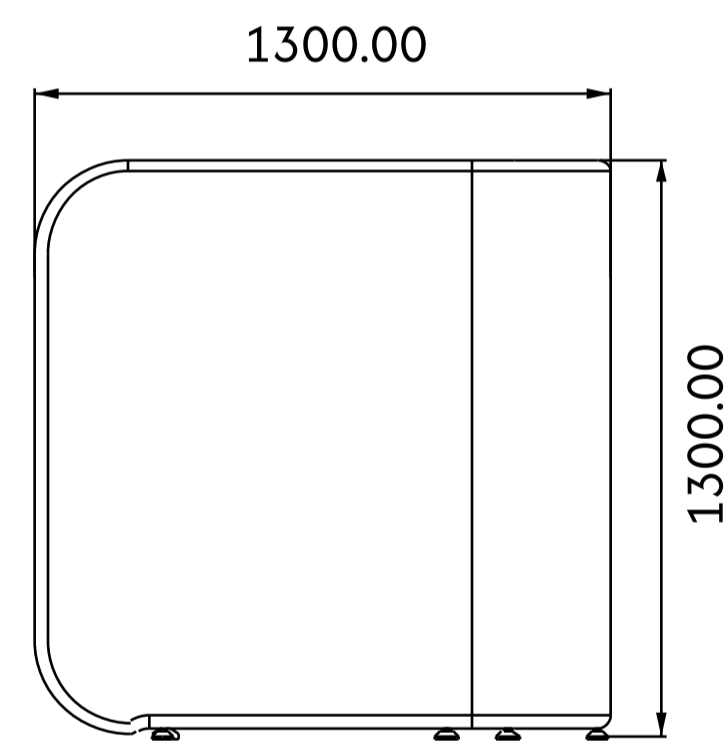
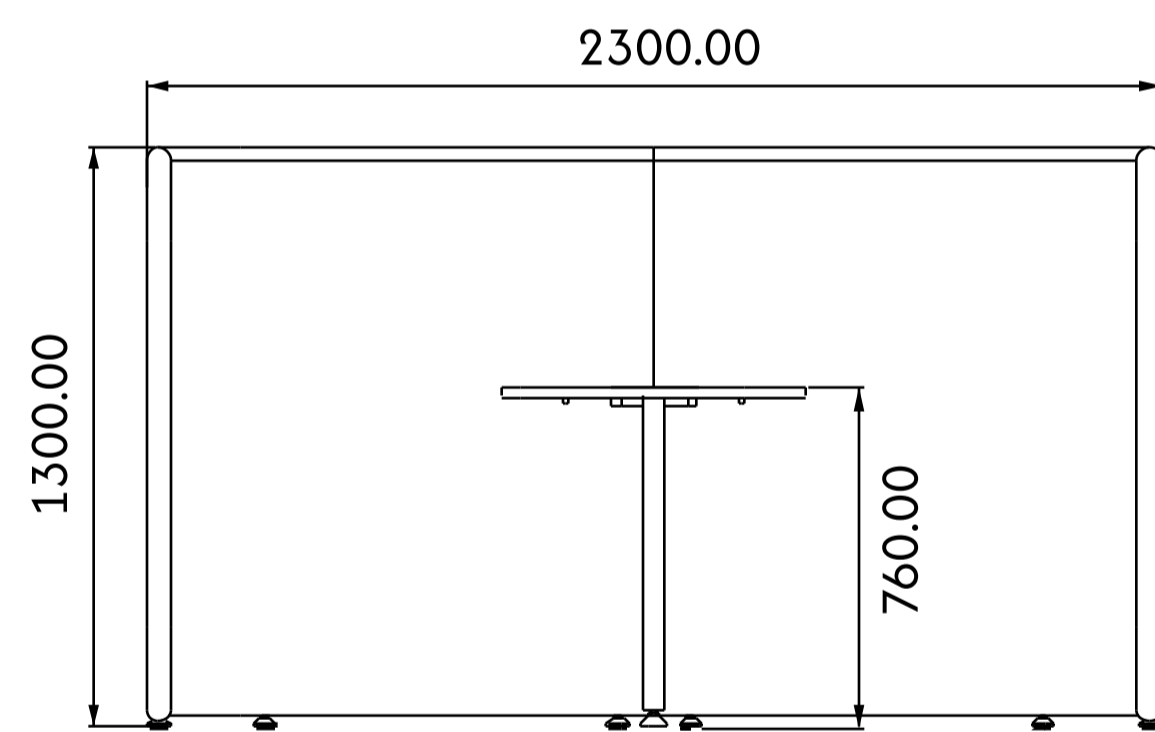
<b>Centre</b>	1550 x 1300 x 56mm (L x H x T)
<b>Sides</b>	1150 x 1300 x 56 mm (L x H x T) / Both sides
<b>Corner radius</b>	212 mm
<b>Worktop</b>	1442 x 590 x 20 mm (L x W x T)
<b>Worktop height</b>	760 mm



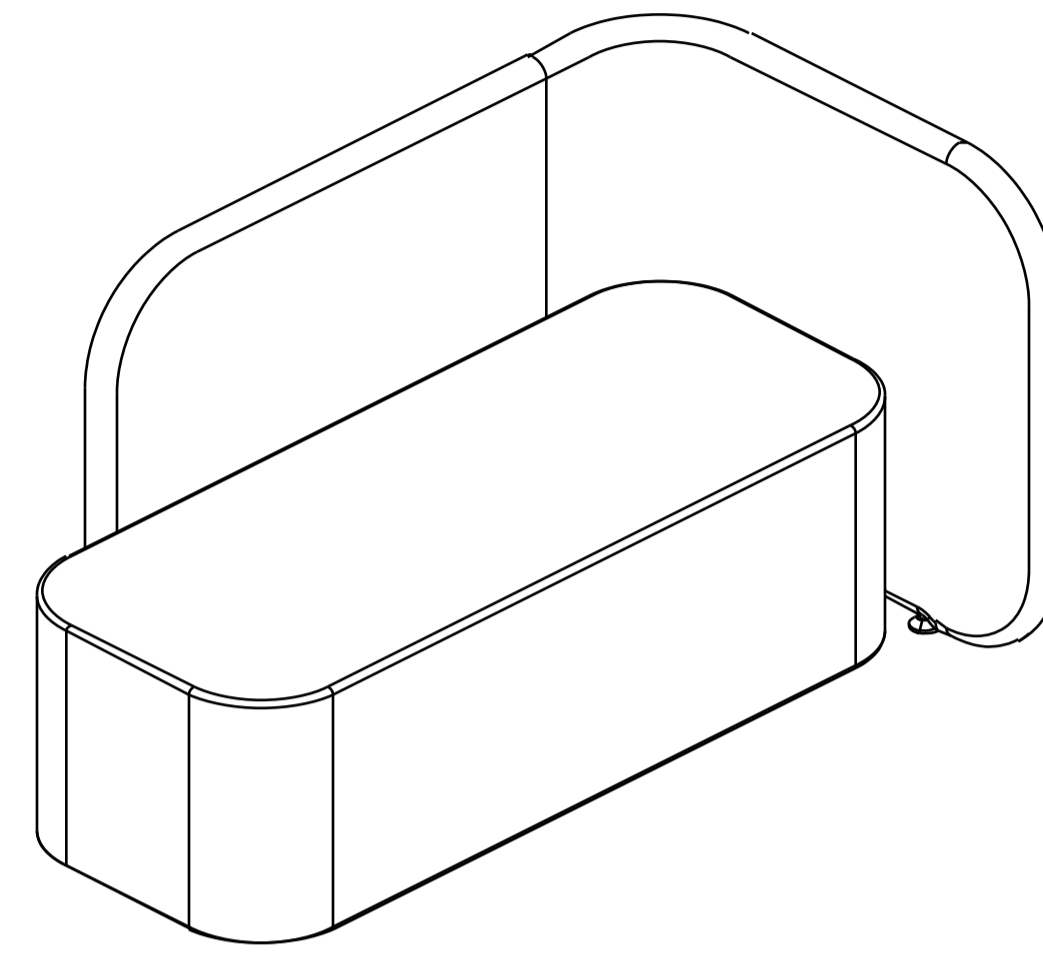
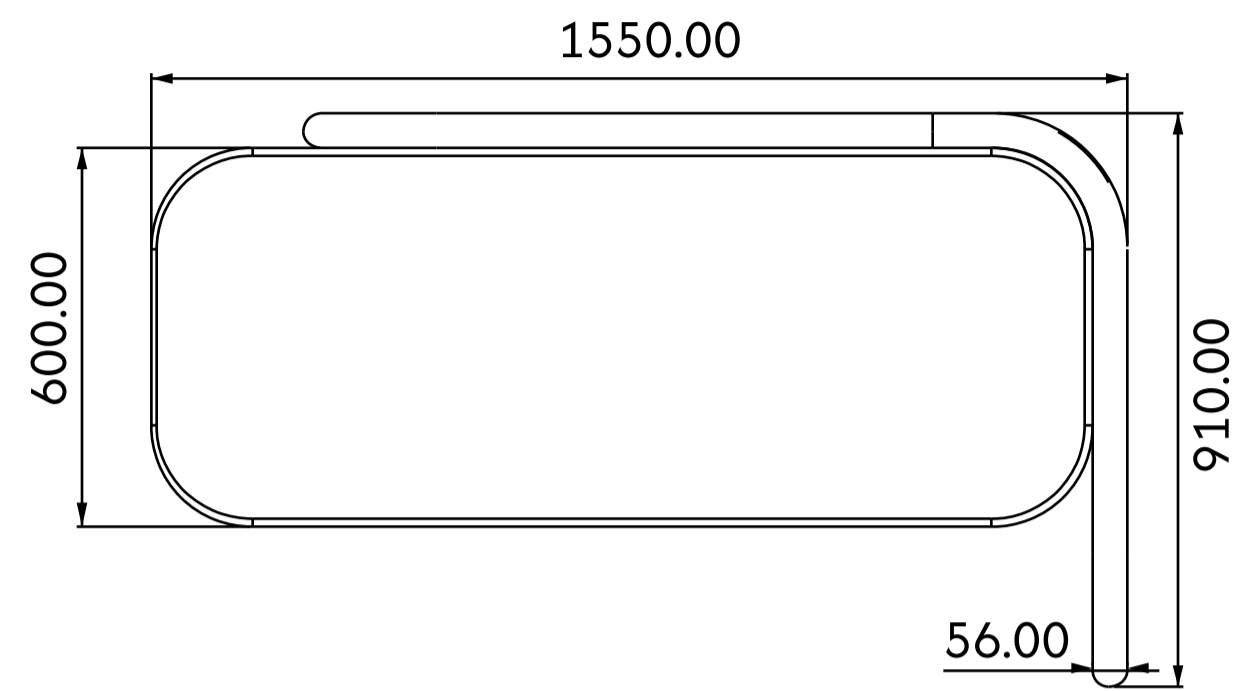
## Variant 7: X - Press



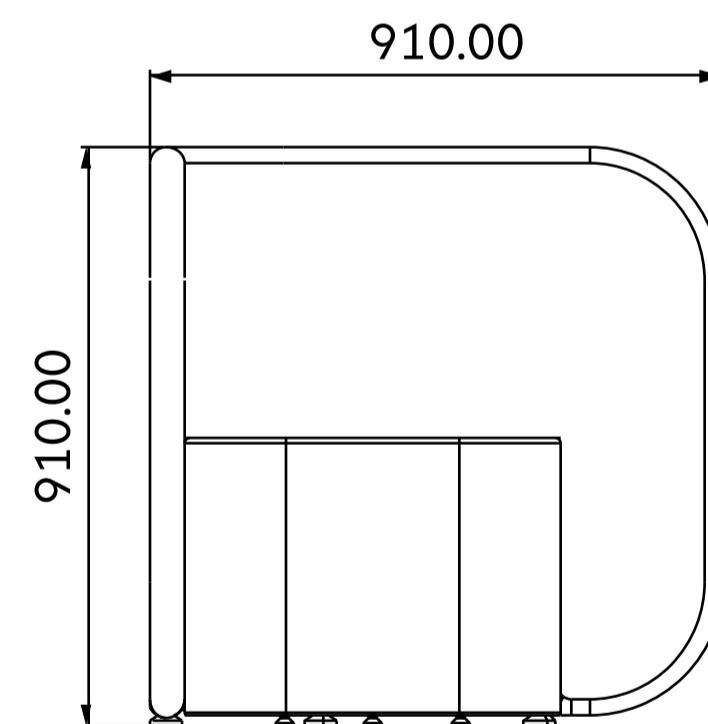
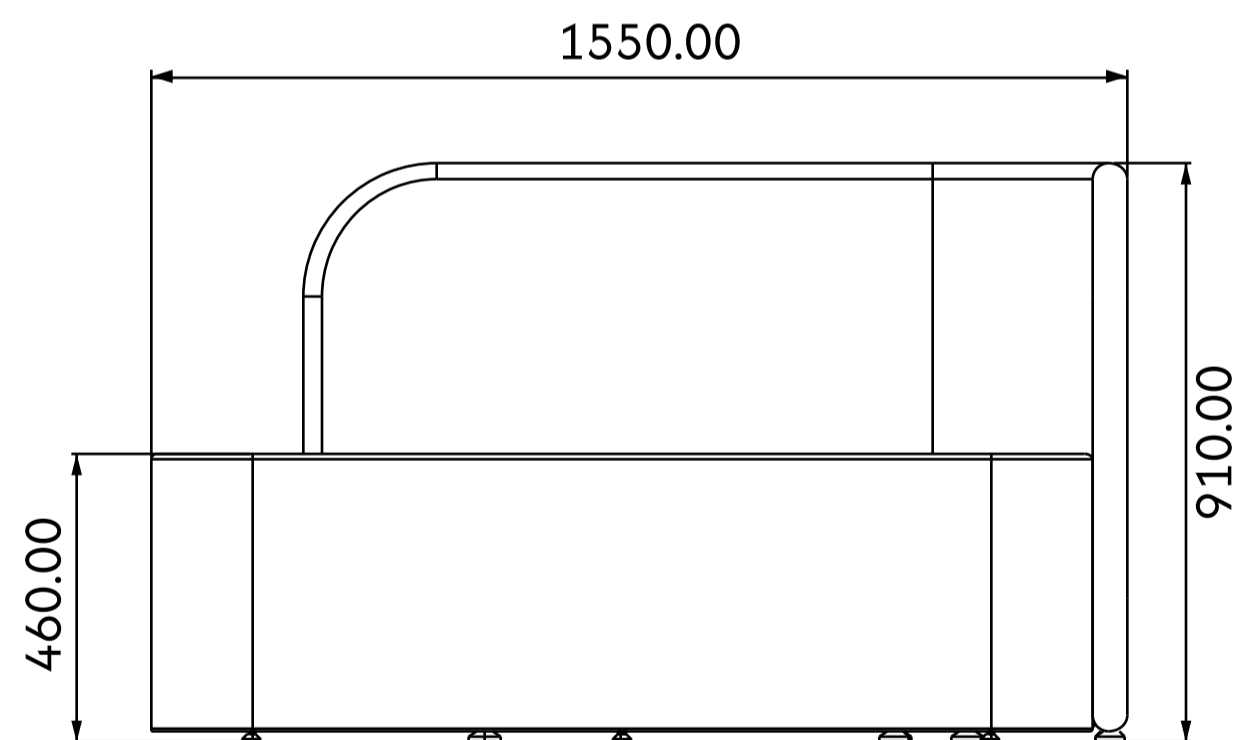
<b>Centre</b>	2300 x 1300 x 56 mm (L x H x T)
<b>Sides</b>	1300 x 1300 x 56 mm (L x H x T) / Both sides
<b>Corner radius</b>	212 mm
<b>Worktop</b>	1150 x 700 x 20 mm (L x W x T)
<b>Worktop height</b>	760 mm



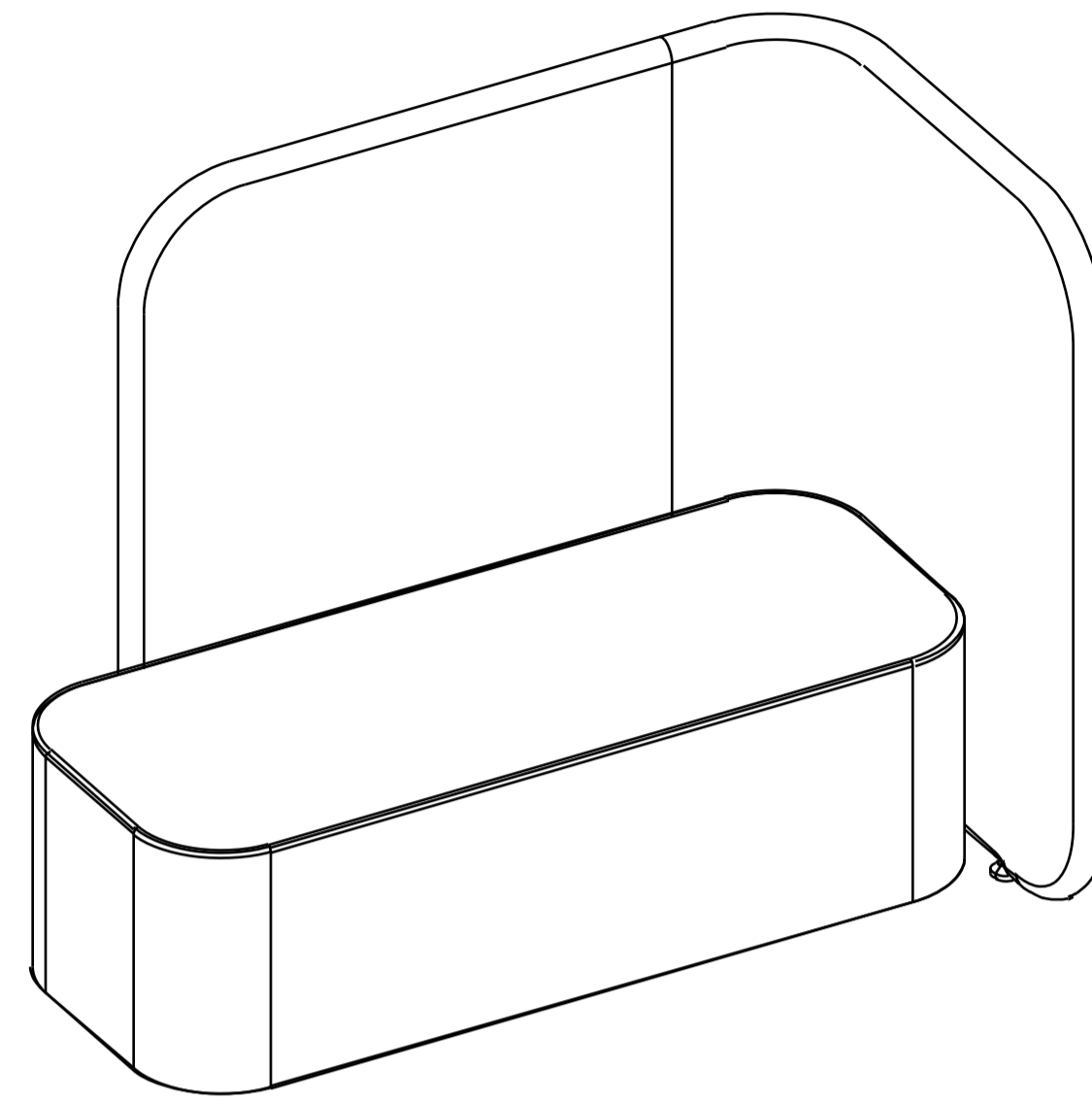
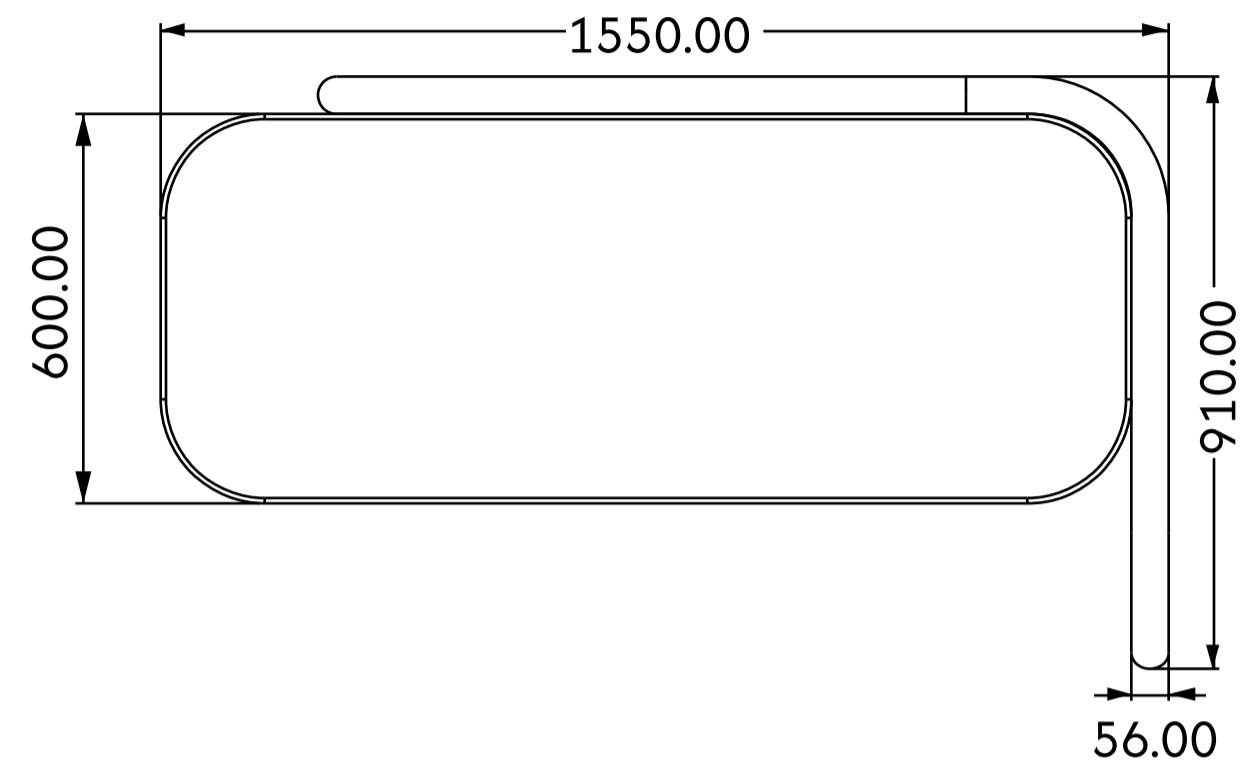
## Variant 8: Lounge 910 H



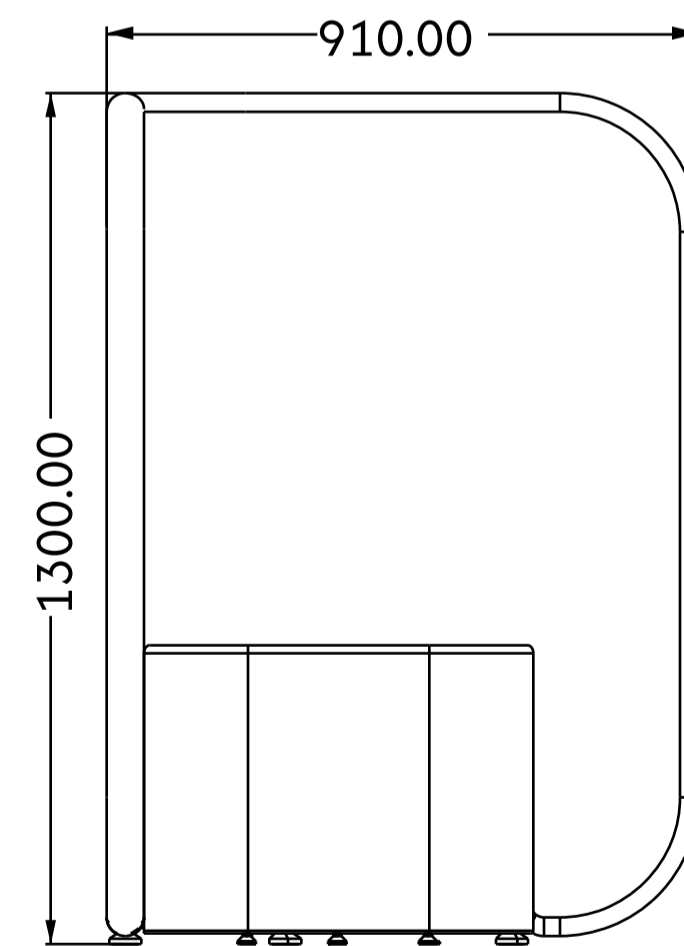
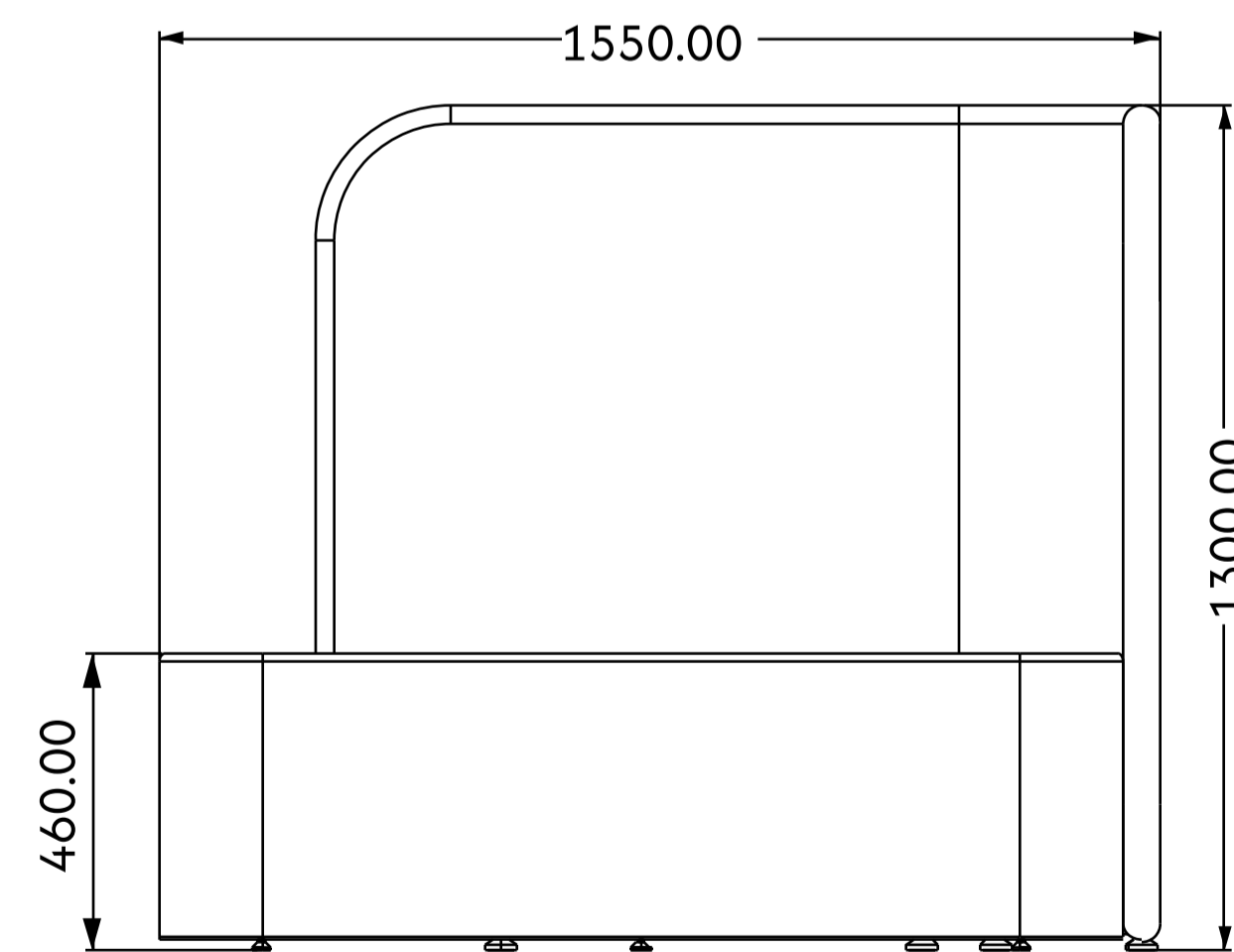
<b>Back Side</b>	1310 x 910 x 56 mm (L x H x T)
<b>Read Sides</b>	910 x 910 x 56 mm (L x H x T)
<b>Corner radius</b>	212 mm
<b><u>Seatings</u></b>	
<b>Base</b>	Plywood
<b>Core</b>	Acoustic Foam (Polyurethane)
<b>Finish</b>	Fabrics
<b>Dimensions</b>	1500 x 600 x 460 mm (L x W x H)



## Variant 9: Lounge 1300 H



<b>Back Side</b>	1310 x 1300 x 56 mm (L x H x T)
<b>Read Sides</b>	910 x 1300 x 56 mm (L x H x T)
<b>Corner radius</b>	212 mm
<b><u>Seatings</u></b>	
<b>Base</b>	Plywood
<b>Core</b>	Acoustic Foam (Polyurethane)
<b>Finish</b>	Fabrics
<b>Dimensions</b>	1500 x 600 x 460 mm (L x W x H)



# Performance

## Fire Resistance:

### 1. Plywood

IS 5509:2000 (With Amendments) | Time for second ignition: > 30 minutes | Conforms to Indian Fire-resistance standard for interior plywood

### 2. Acoustic Foam (Polyurethane)

CA TB 117-2013 Section III | Flammability of Resilient fire material – Pass | Flame retardant in Upholstered Furniture – Pass

BS 5852 (Part 2):1982 | Flammability Test – Pass

### 3. Fabrics

- **Category A+**

BS 5852 Part 1: 1979 Ignition Source 0 & 1 | Details: Cigarette Test & Match Test | Result: PASS on both tests | Test Number: 423681

- **Category A**

BS 5852 Part 1: 1979 Ignition Source 0 & 1 | Details: Cigarette Test & Match Test | Result: PASS on both tests | Test Number: 187662

- **Category B**

AS/NZS 1530.3:1999 | Details: Simultaneous test for Ignitability, Flame Propagation, Heat Release & Smoke Release | Result: Passed | Test Number: 19-001329

## Sustainability

## Certifications & Compliance:

- LEED v4: Supports EQ Credit (Low-Emitting Materials)
- Certified Low VOC materials
- EPD & HPD certified
- Declare Label compliant
- USGBC LEED compliant



**Declare.**



# Variants



4 PAX (1300 - H)



4 PAX (1700 - H)



6 PAX (1300 - H)



6 PAX (1700 - H)



X - Press



I - Work



Lounge (910 - H)



Lounge (1300 - H)

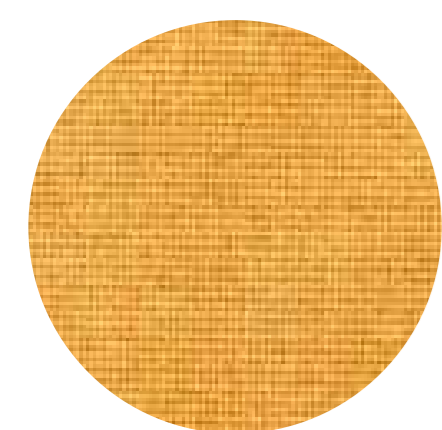


Work

## Fabrics

### CAT A+ : COLORWAYS

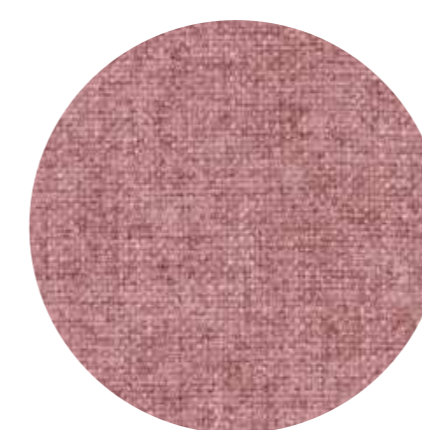
#### SOHO



<b>Composition</b>	100% Polyester
<b>Weight (per surface)</b>	420 gsm
<b>Width</b>	145 cm (min. usable 138 cm)
<b>Abrasion resistance</b>	100,000+ Wyzenbeek   90,000 Martindale
<b>Flammability</b>	CA TB 117 - 2013   BS 5852: Part 1(1979)
<b>Fastness to light</b>	5
<b>Fastness to rubbing</b>	Wet - 4   Day - 4/5
<b>Pilling</b>	Piling on Martindale - 3/4   Brush pilling - 5
<b>Seam Slippage</b>	Warp - 2.5 mm   Weft - 3 mm

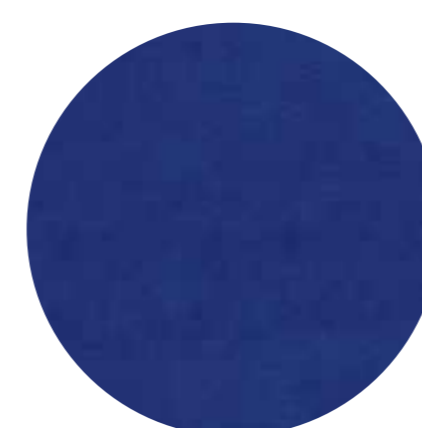
### CAT A : COLORWAYS

#### SHETLAND



<b>Composition</b>	100% Polyester
<b>Weight (per surface)</b>	280 gsm
<b>Width</b>	145 cm (min. usable 138 cm)
<b>Abrasion resistance</b>	>100,000 Wyzenbeek   45,000 Martindale
<b>Flammability</b>	BS 5852: Part 1 (1979)   CA TB 117 - 2013
<b>Fastness to light</b>	5
<b>Fastness to rubbing</b>	Wet - 4   Dry - 4/5
<b>Pilling</b>	Martindale Pilling - 4   Brush Pilling - 5
<b>Seam Slippage</b>	Warp - 1.67 mm   Weft - 2 mm

#### TWEED



<b>Composition</b>	100% Polyester
<b>Weight (per surface)</b>	240 gsm
<b>Width</b>	142 cm (min. usable 138 cm)
<b>Abrasion resistance</b>	54,000 Wyzenbeek   100,000 Martindale
<b>Flammability</b>	CA TB 117 - 2013 BS 5852 Source 0,1 (cigarette & match) EN 1021 Part1,2 (cigarette & match)
<b>Fastness to light</b>	5
<b>Fastness to rubbing</b>	Wet - 4   Dry - 4/5
<b>Pilling</b>	3/4
<b>Seam Slippage</b>	Warp - 2 mm   Weft - 2 mm

CAT B : COLORWAYS

ELTON



<b>Composition</b>	100% Polyester
<b>Weight (per surface)</b>	275 gsm
<b>Width</b>	140 cm
<b>Abrasion resistance</b>	70,000 Wyzenbeek
<b>Flammability</b>	AS/NZS 1530.3 - 1999
<b>Fastness to light</b>	5
<b>Fastness to rubbing</b>	Wet - 4/5   Dry - 4/5
<b>Pilling</b>	5
<b>Seam Slippage</b>	Warp - 3.3 mm   Weft - 3 mm
<b>Attributes</b>	Halo Easy Care, Oekotex Standard 100

FELIX



<b>Composition</b>	100% Polyester
<b>Weight (per surface)</b>	380 gsm
<b>Width</b>	142 cm
<b>Abrasion resistance</b>	100,000 Wyzenbeek
<b>Flammability</b>	AS/NZS 1530.3 - 1999
<b>Fastness to light</b>	6
<b>Fastness to rubbing</b>	Wet - 5   Dry - 5
<b>Pilling</b>	5
<b>Seam Slippage</b>	Warp - 2 mm   Weft - 1.5 mm
<b>Attributes</b>	Halo Easy Care, Oekotex Standard 100

