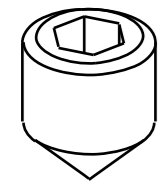




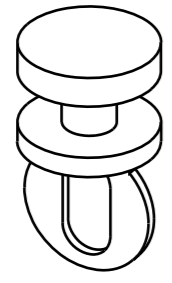
# Installation Steps

Variant: H88

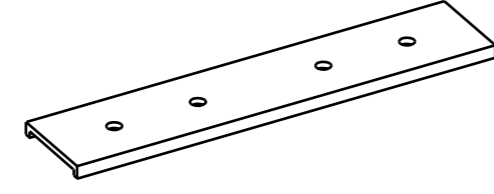
## Parts Included



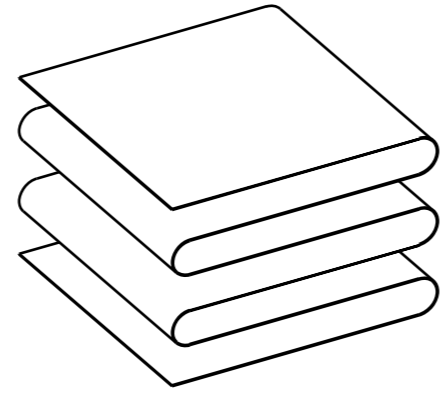
Grub Screw  
M4 x 4mm



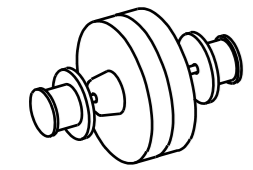
Carrier



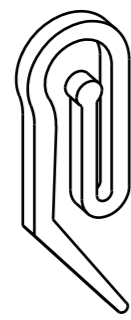
Profile Connector



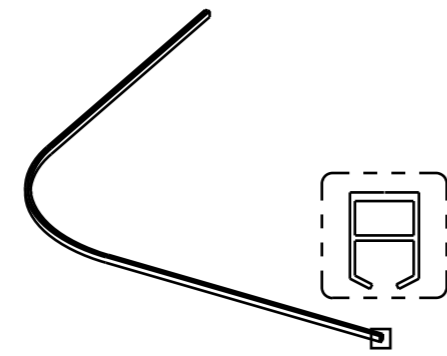
Curtain



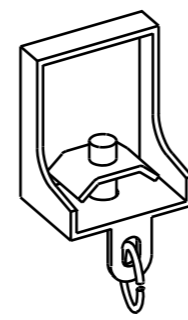
Magnet (4 set)



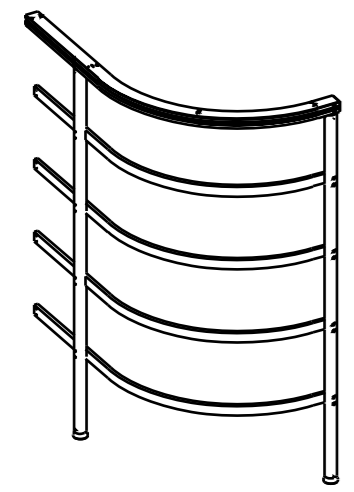
Fish Curtain Hook



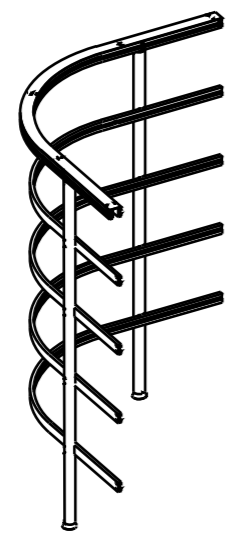
Curtain Profile



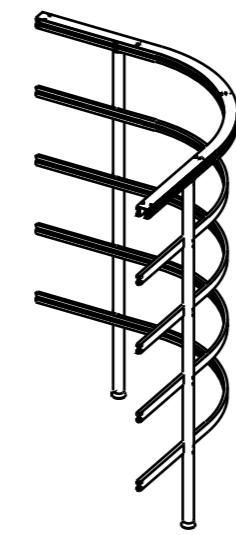
End Cap (2 set)



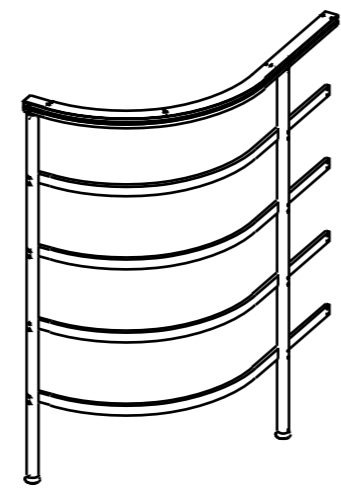
Al. Structure  
Part A



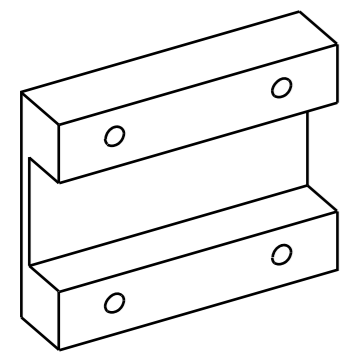
Al. Structure  
Part B



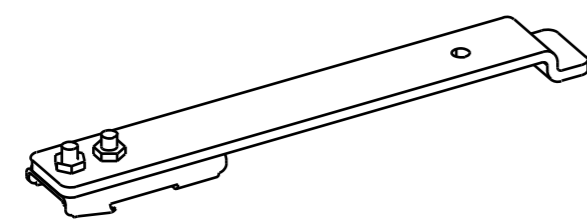
Al. Structure  
Part C



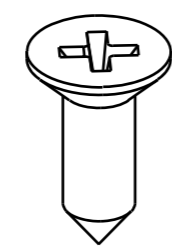
Al. Structure  
Part D



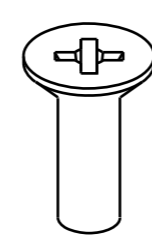
Connector  
(18 nos)



Profile Track Mount  
Connector (12nos)



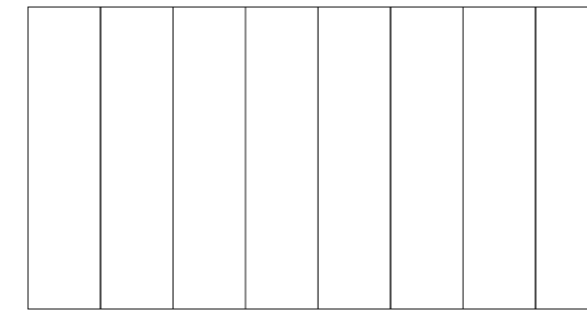
M4 x13 screw  
(12 nos)



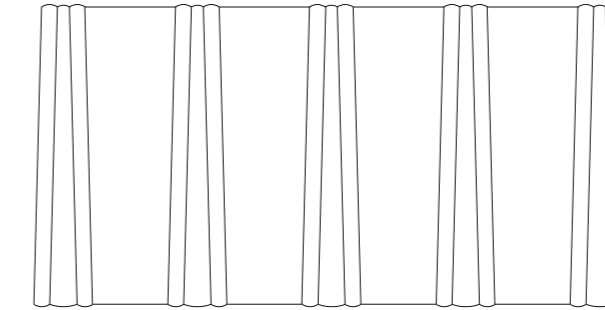
M4 x12 screw  
(72 nos)

## Pick Point Layout

### Curtain Pleat Options

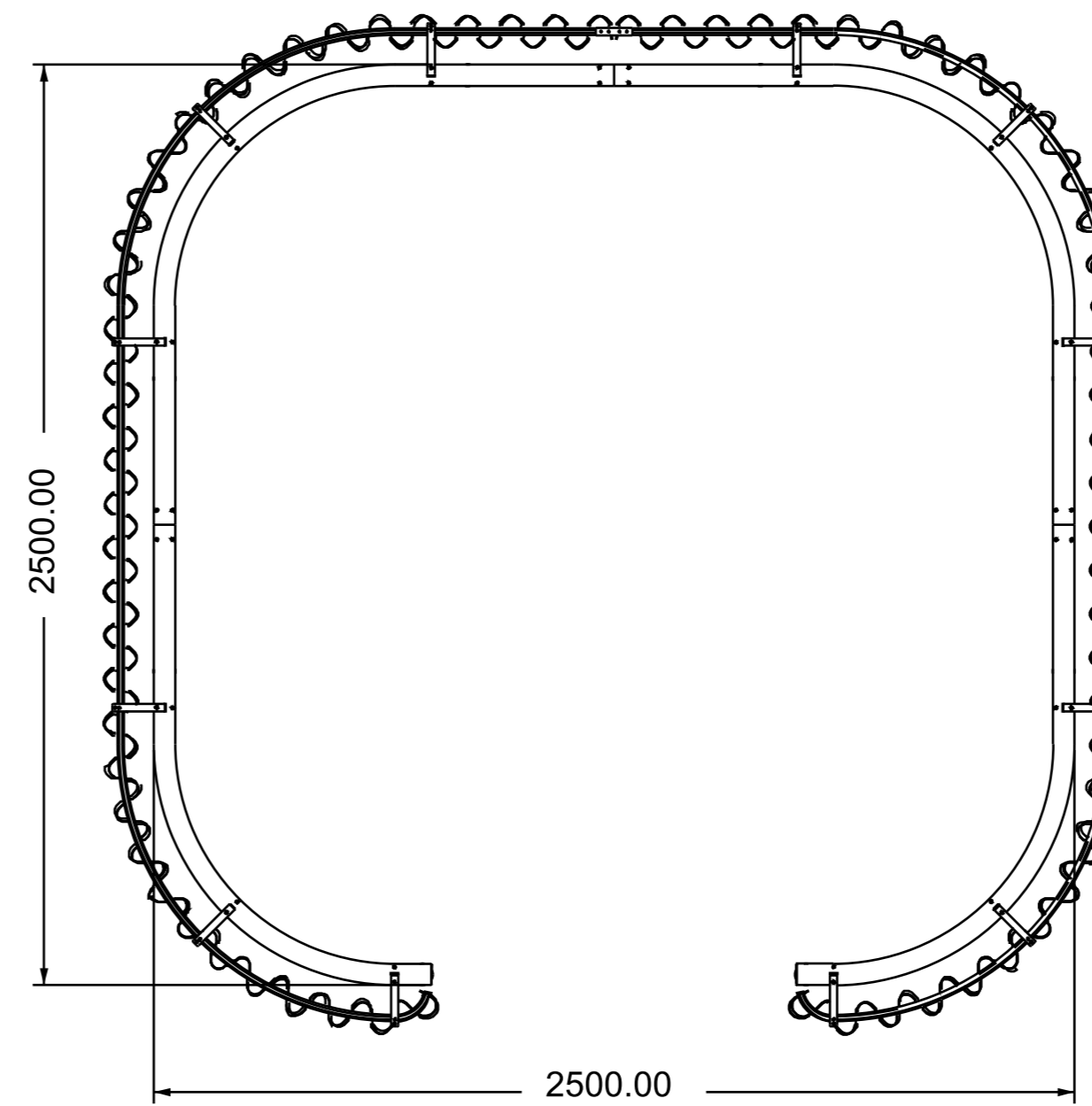


Wave



Triple Pleat

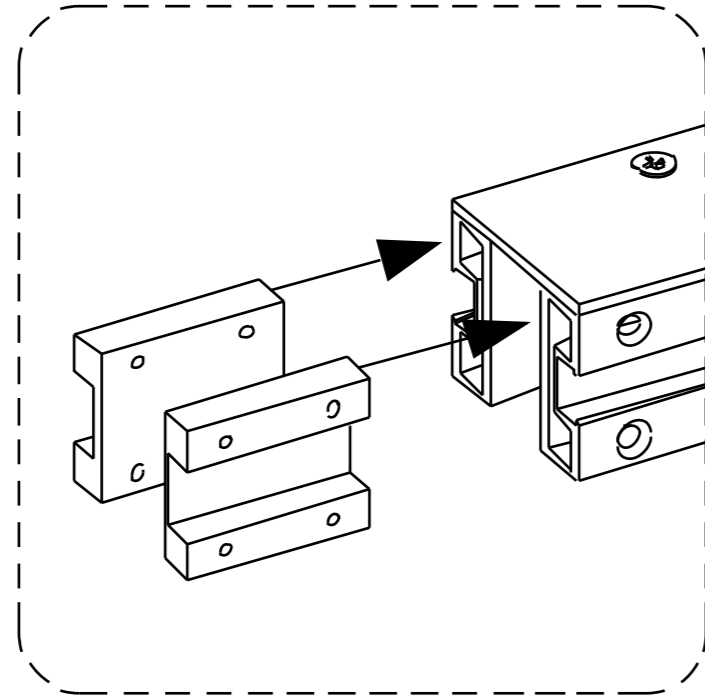
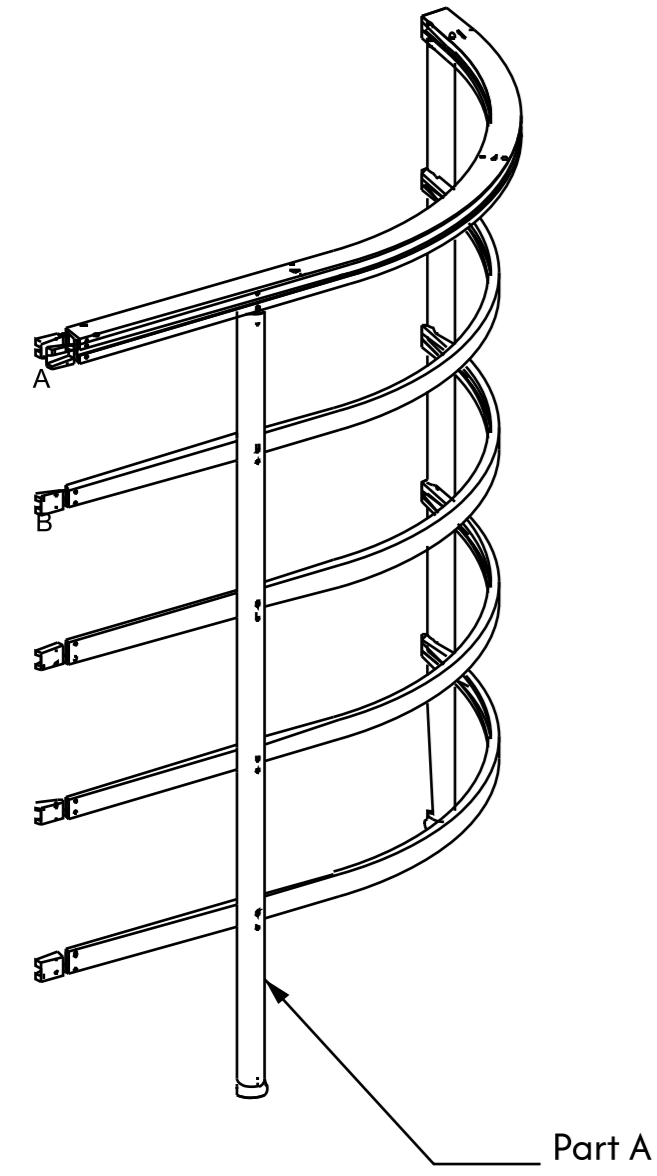
### Design Module



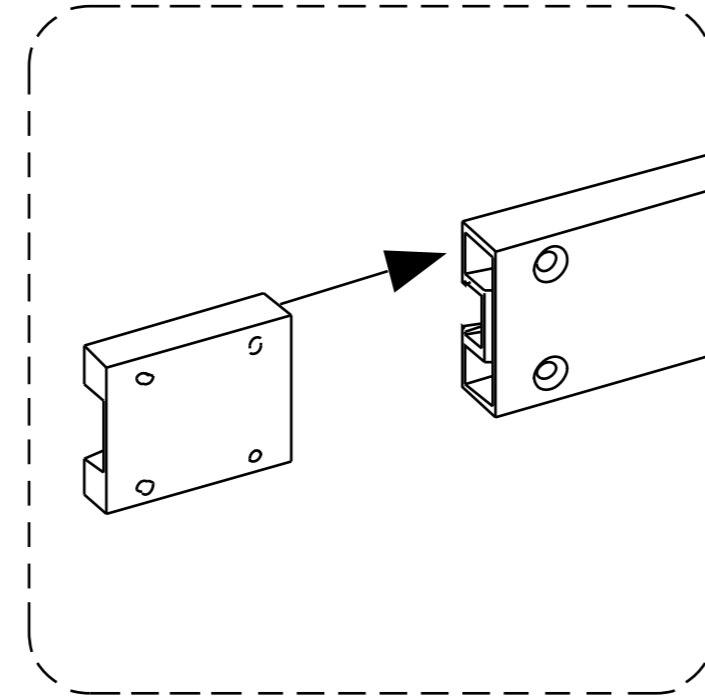
# Assembly

## Step A:

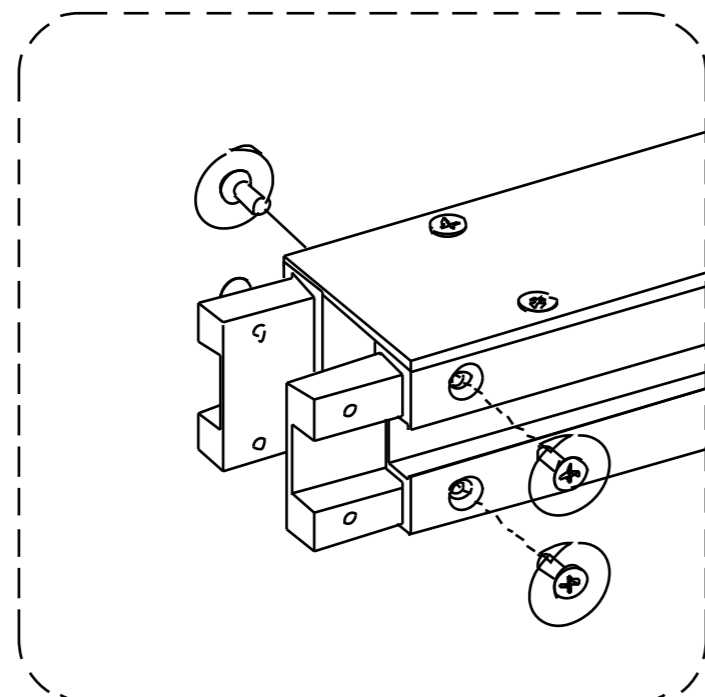
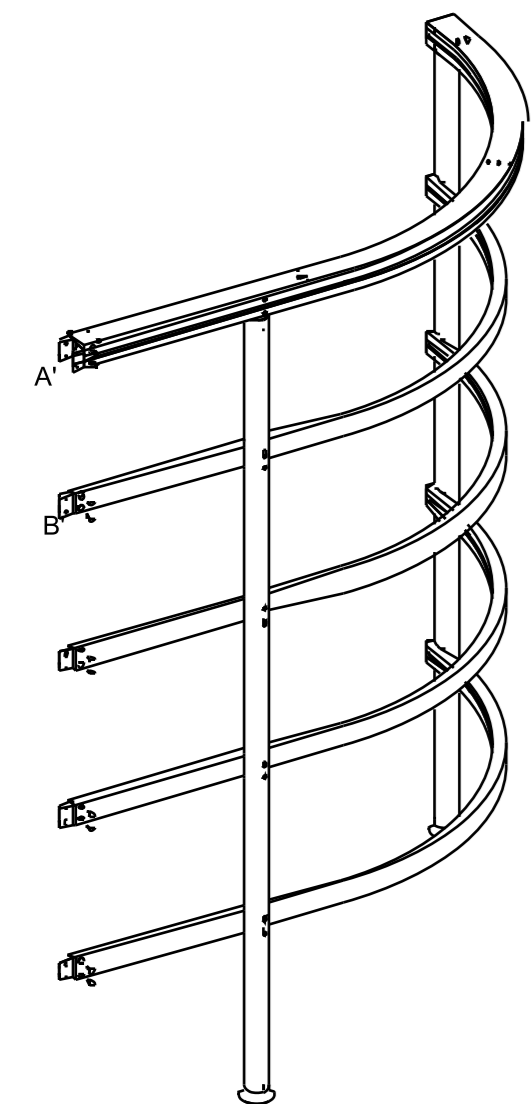
Insert the connector half way and tighten with M4 x 12 flat head screw as illustrated in the enlarged view.



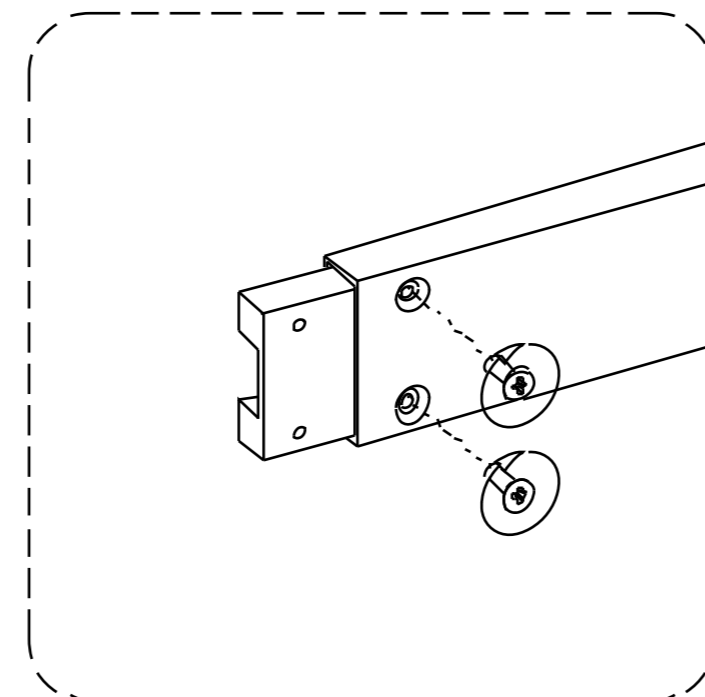
Detail-A



Detail-B



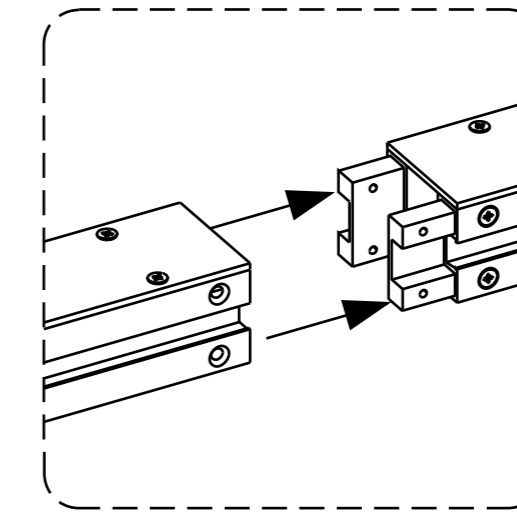
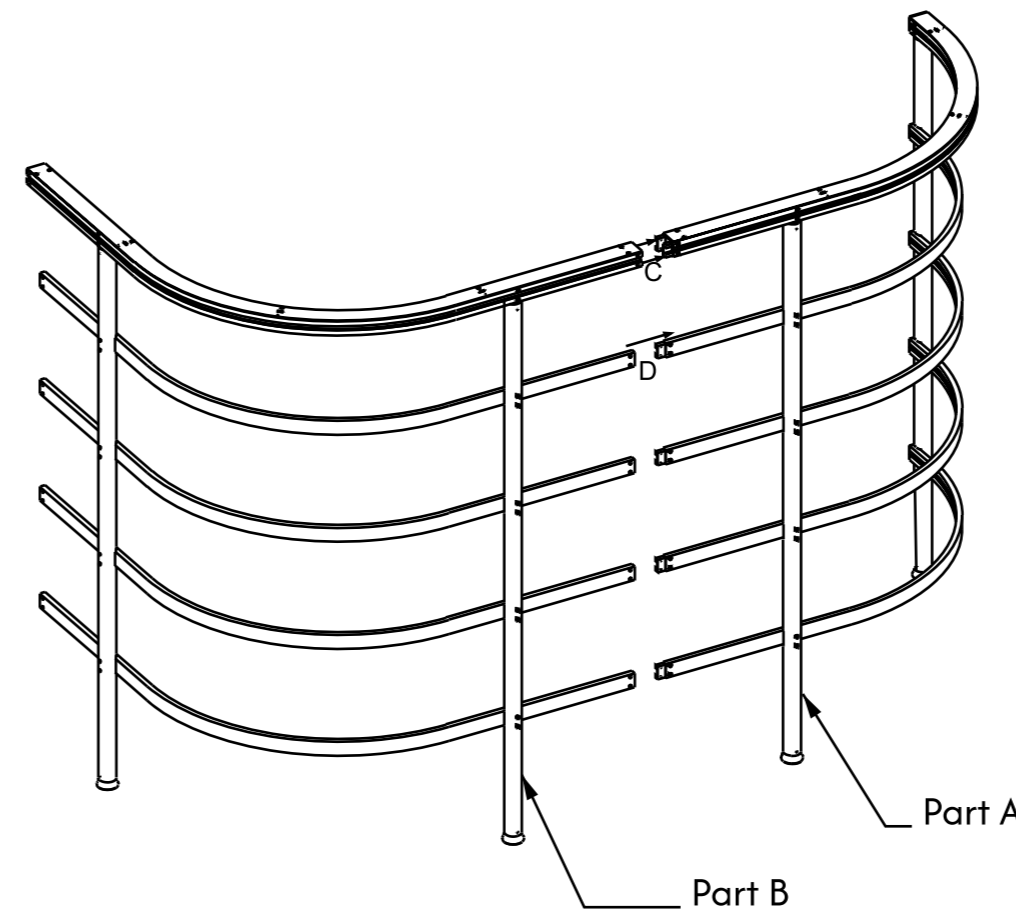
Detail-A'



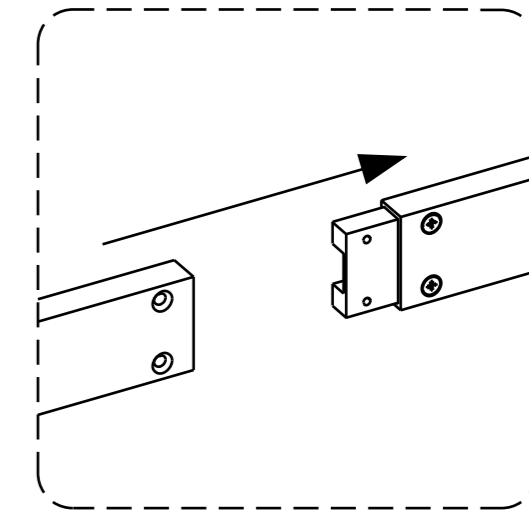
Detail-B'

## Step B:

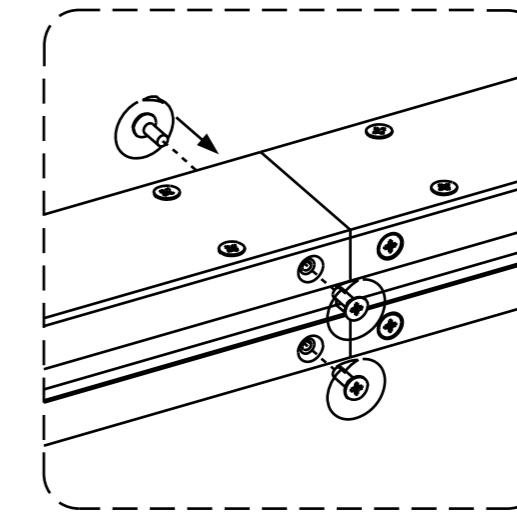
Connect Part B to Part A using the secured connector, and fasten it with M4 x 12 mm flat head screws, as illustrated in the detail views.



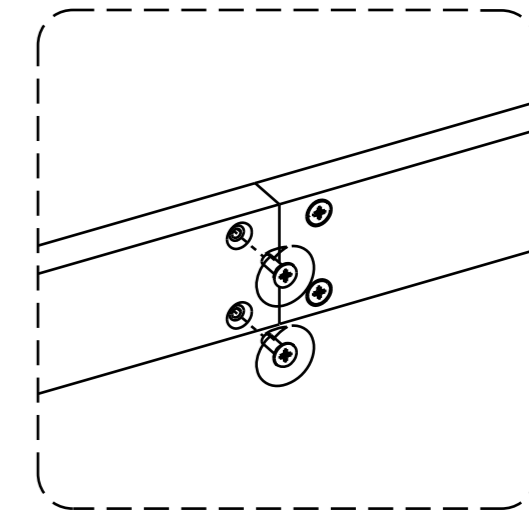
Detail-C



Detail-D

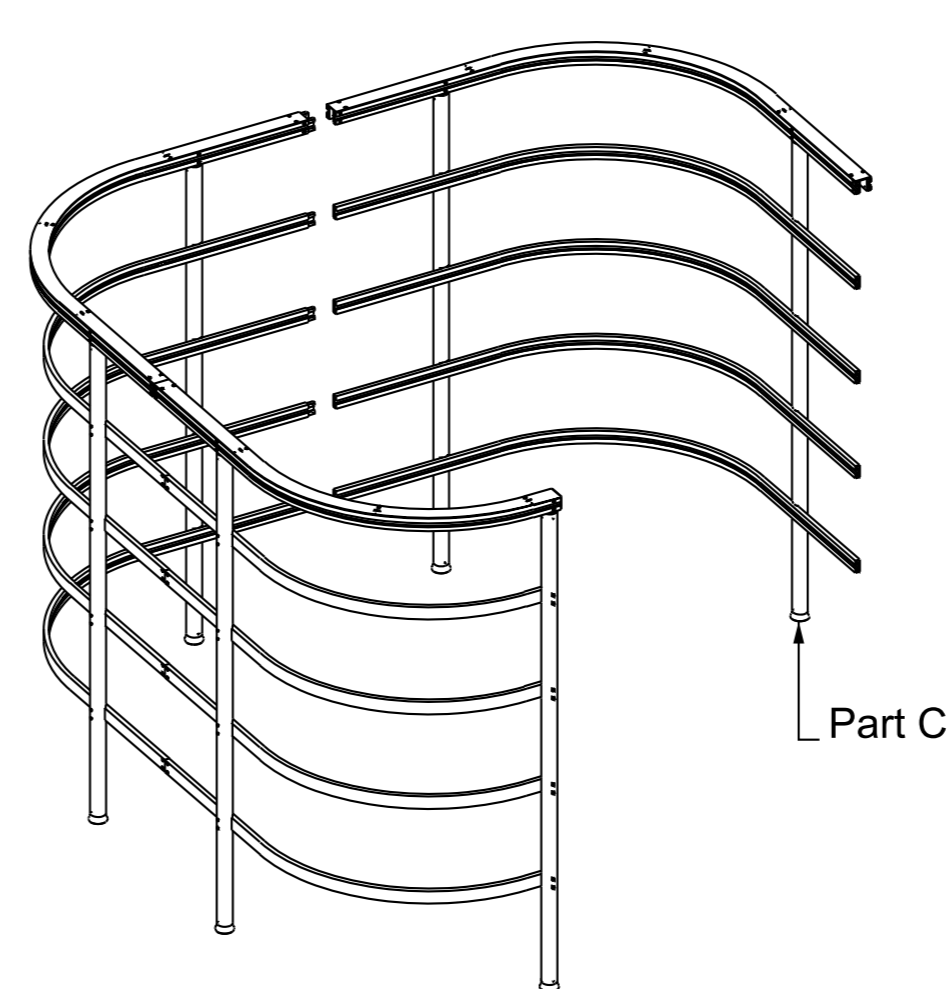


Detail-C'

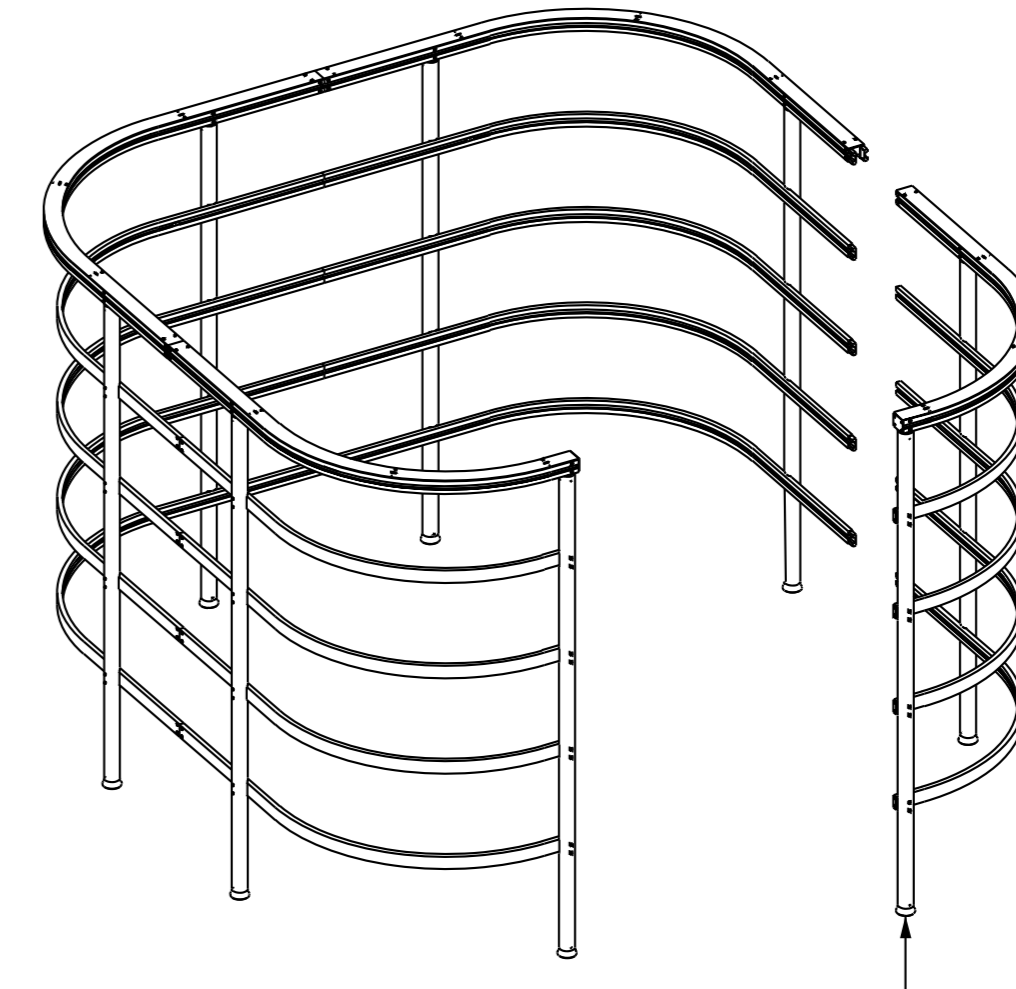


Detail-D'

Repeat the step for Parts C and D to complete the assembly of the entire structure.



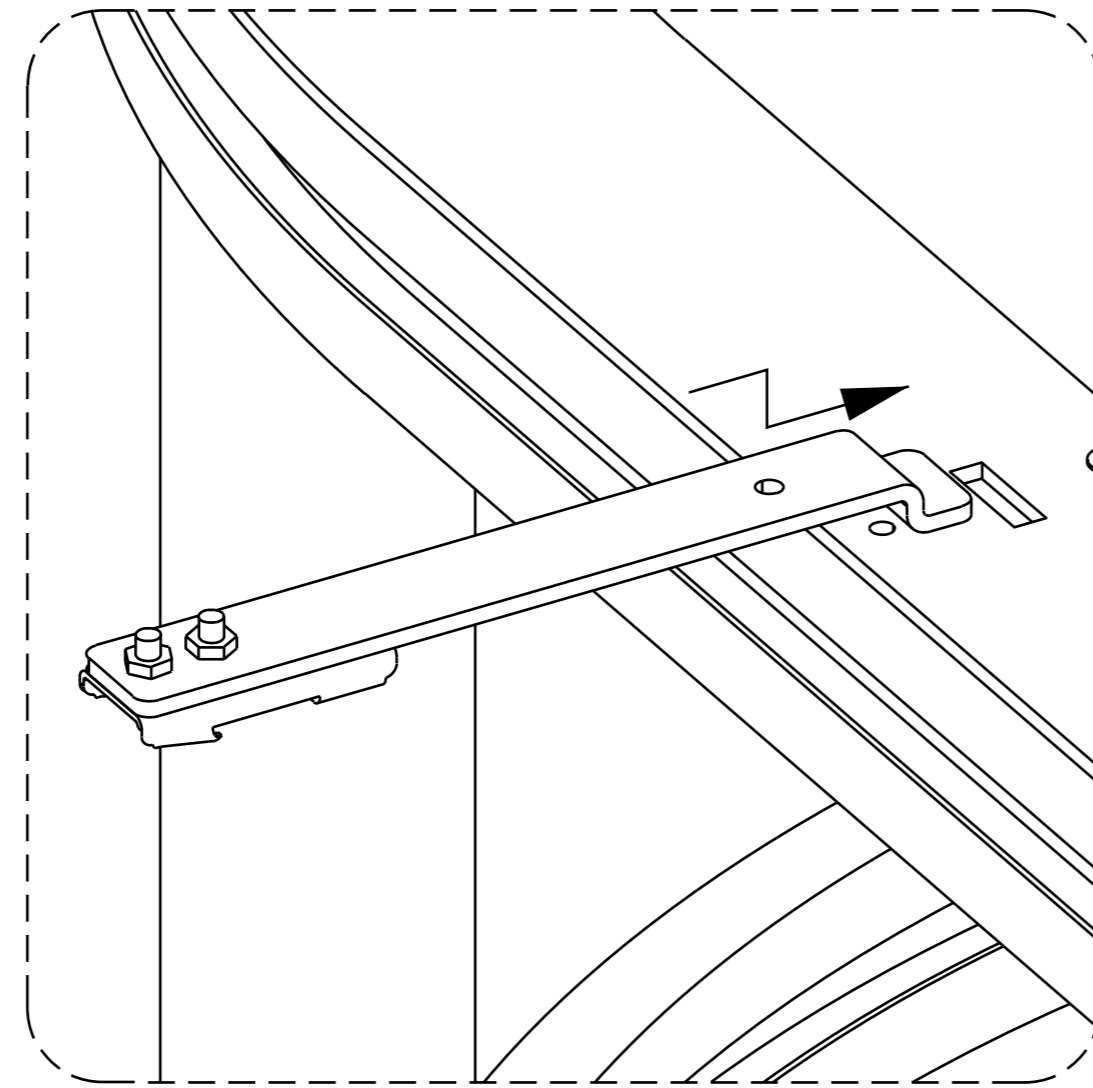
Part C



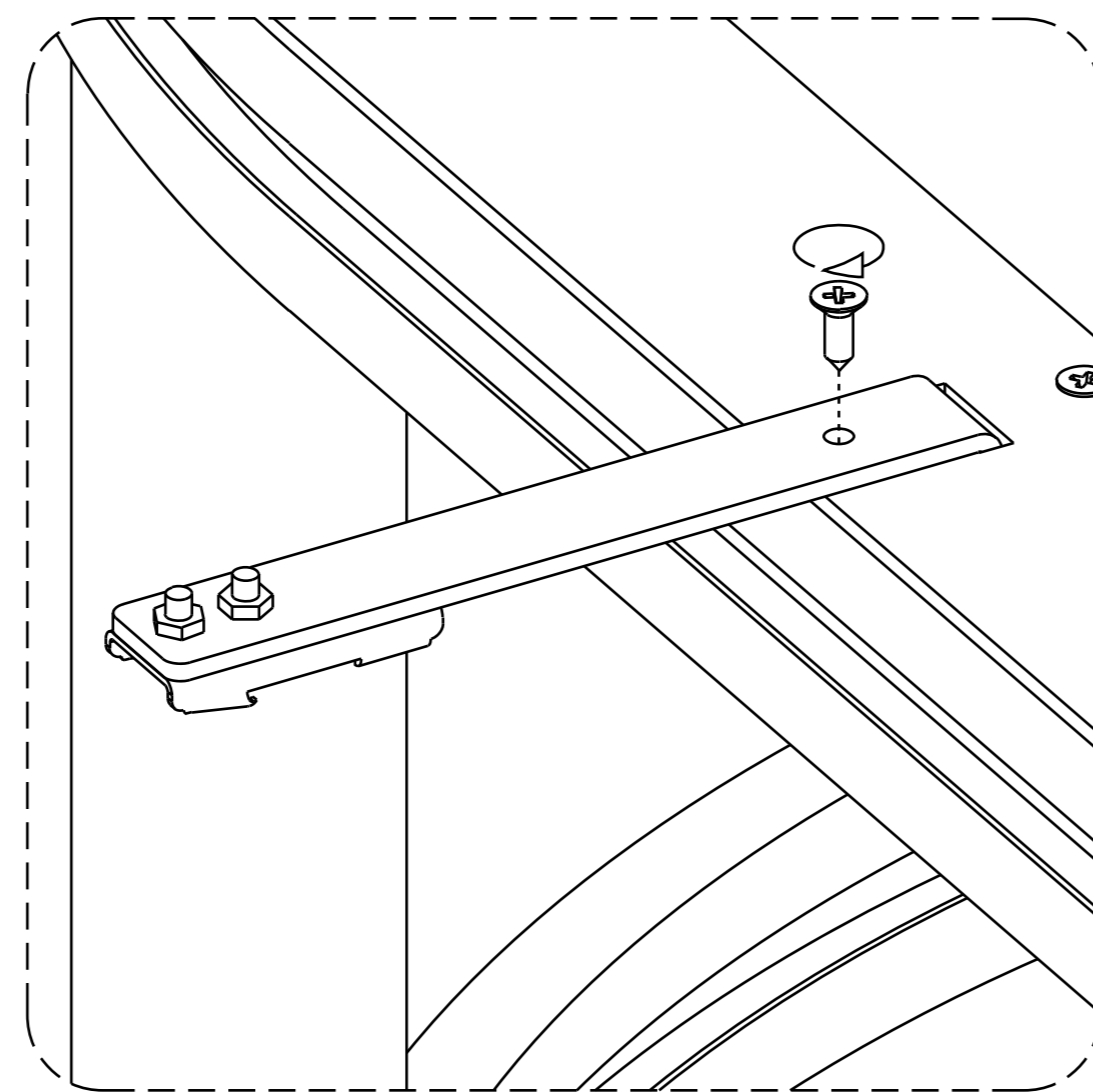
Part D

### Step C:

Insert the profile track mount connector as illustrated in the enlarged view.

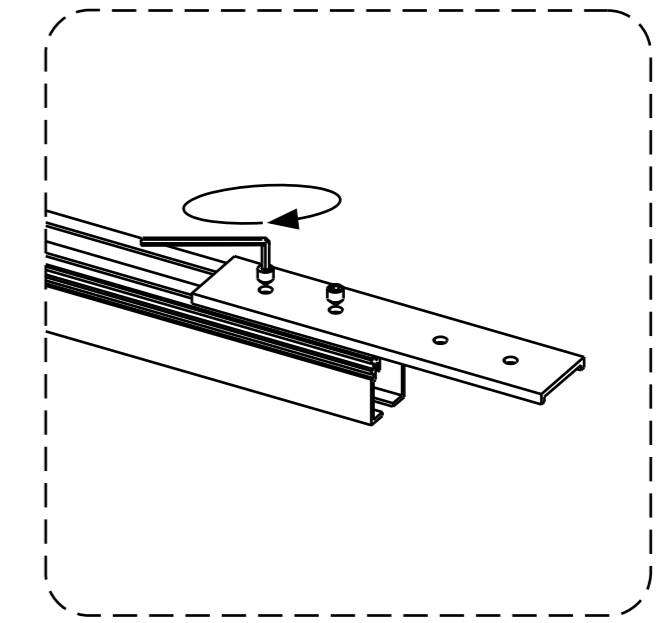


Secure the profile track mount connector with the screw (M4 x 13mm) as shown in enlarged view.

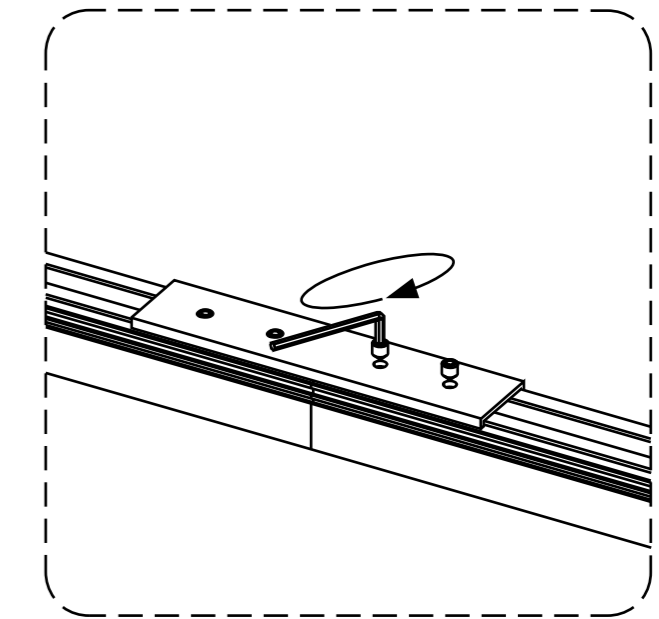


### Step D:

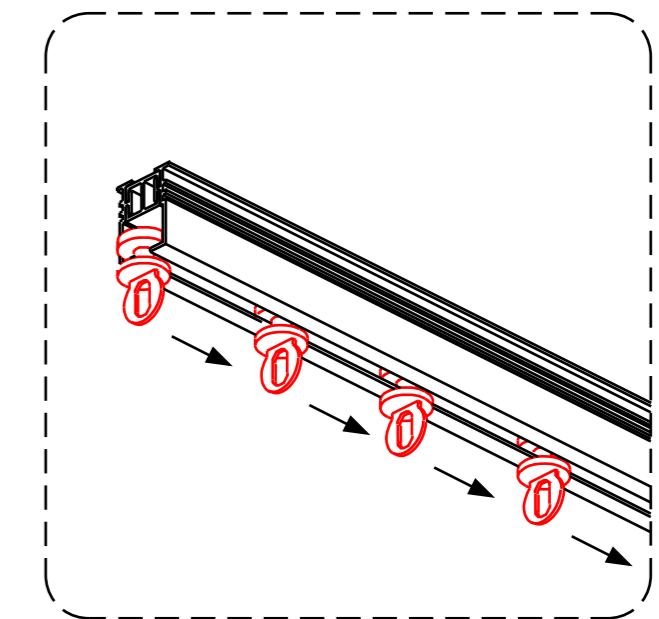
Insert the profile connectors halfway and tighten the two set grub screws.



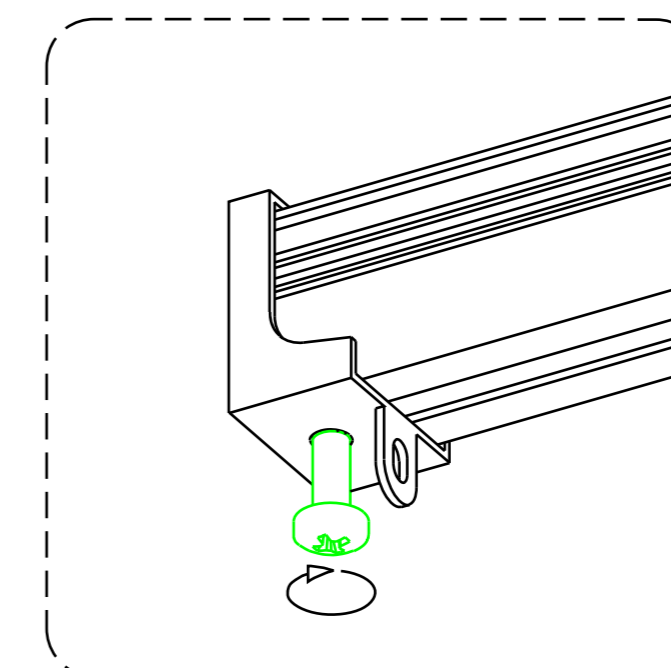
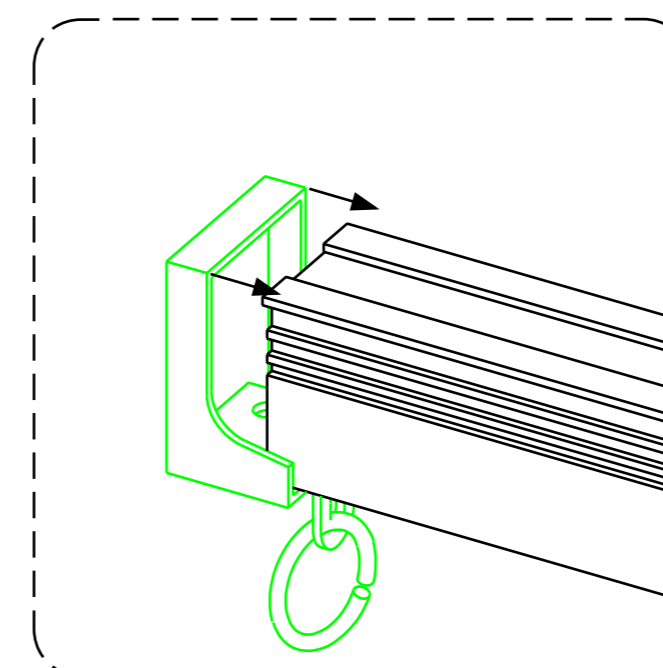
Attach the second running rail to the first one. Tighten the remaining two set grub screws.



Please do not forget to insert the carriers if the tracks form a closed shape.

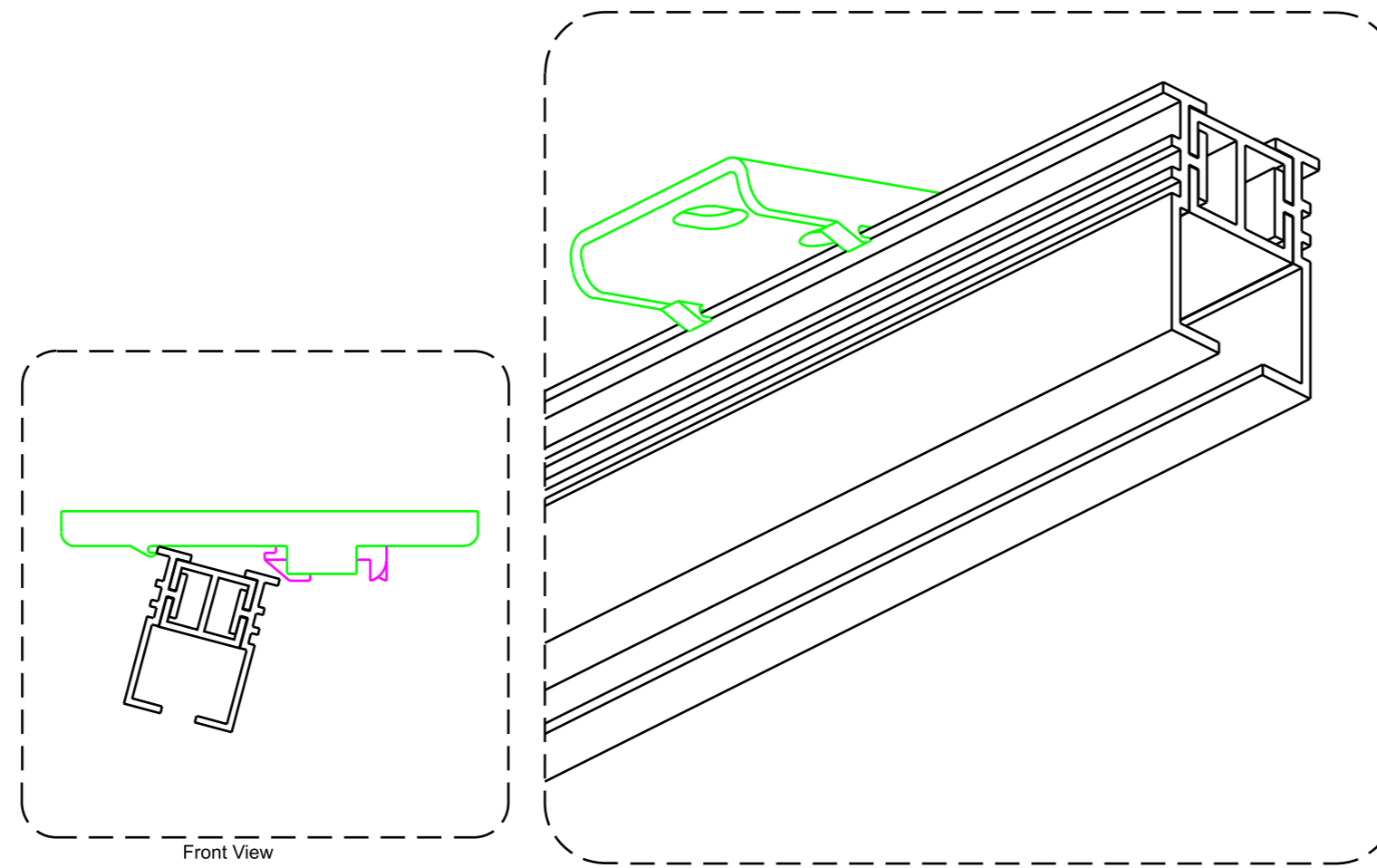


Secure the end cap to both ends using appropriate fasteners, as shown in the enlarged view.

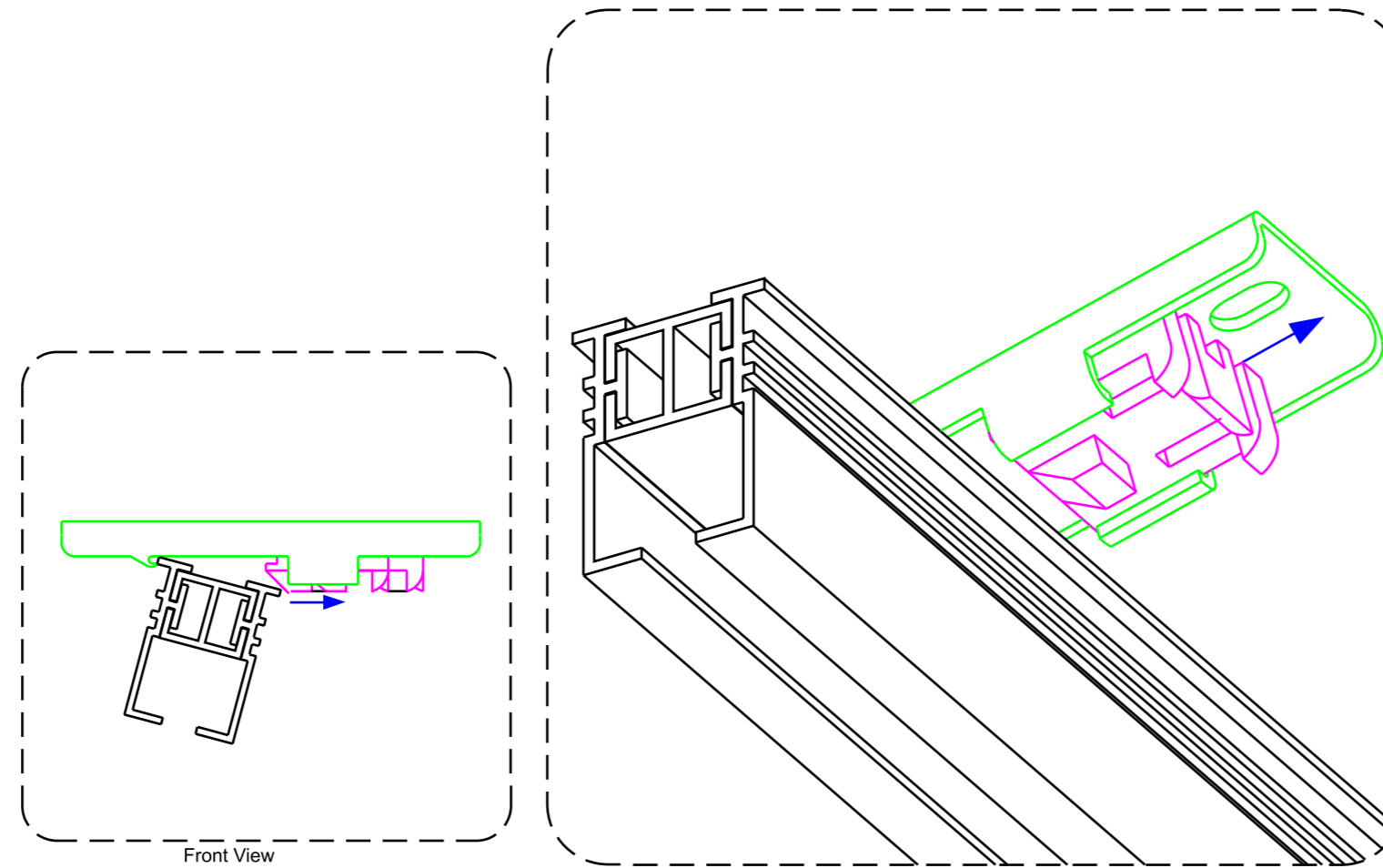


## Step E:

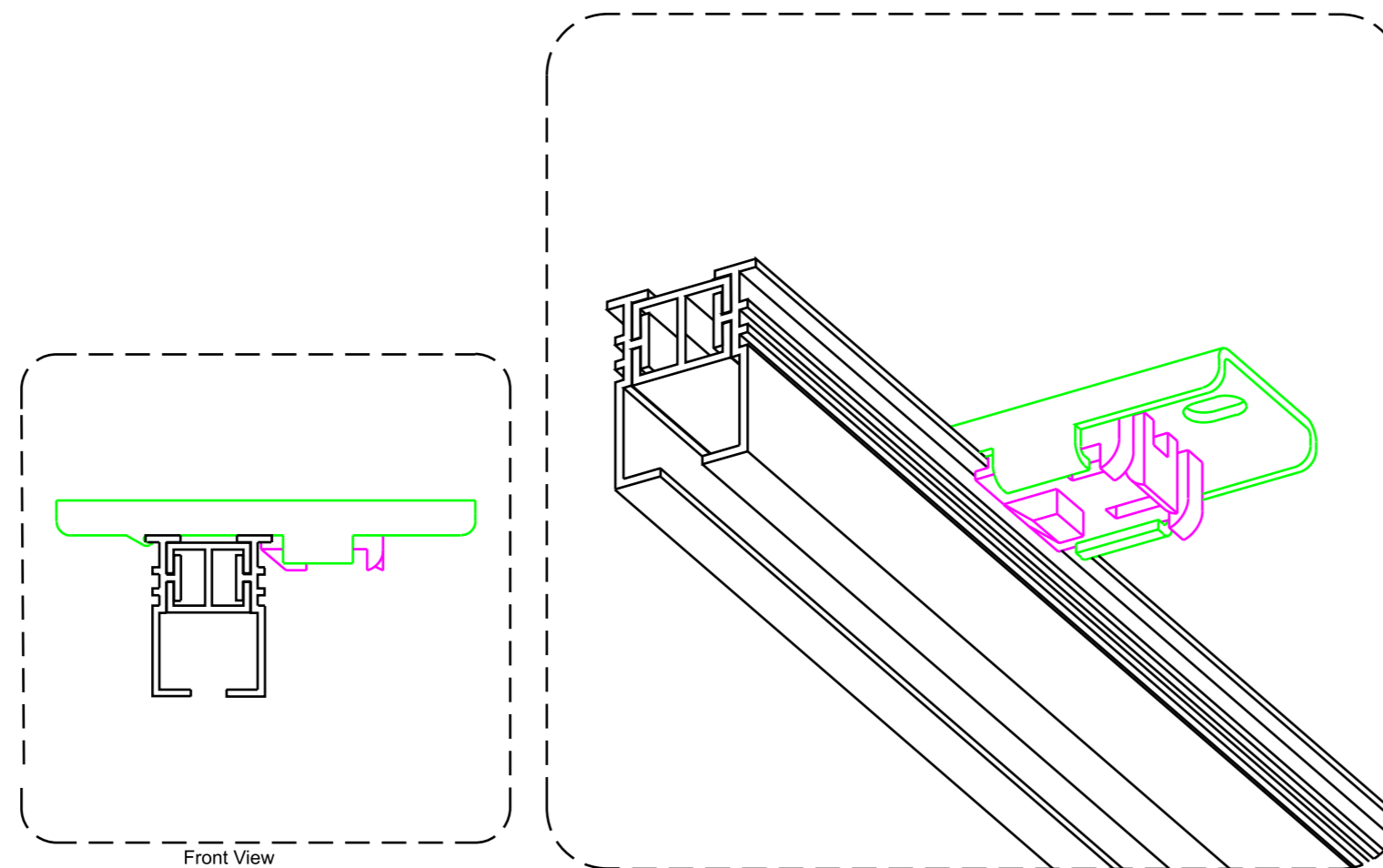
Secure the connector as shown in the front view.



Slide the button located below, indicated in pink, in the direction shown in the front view.

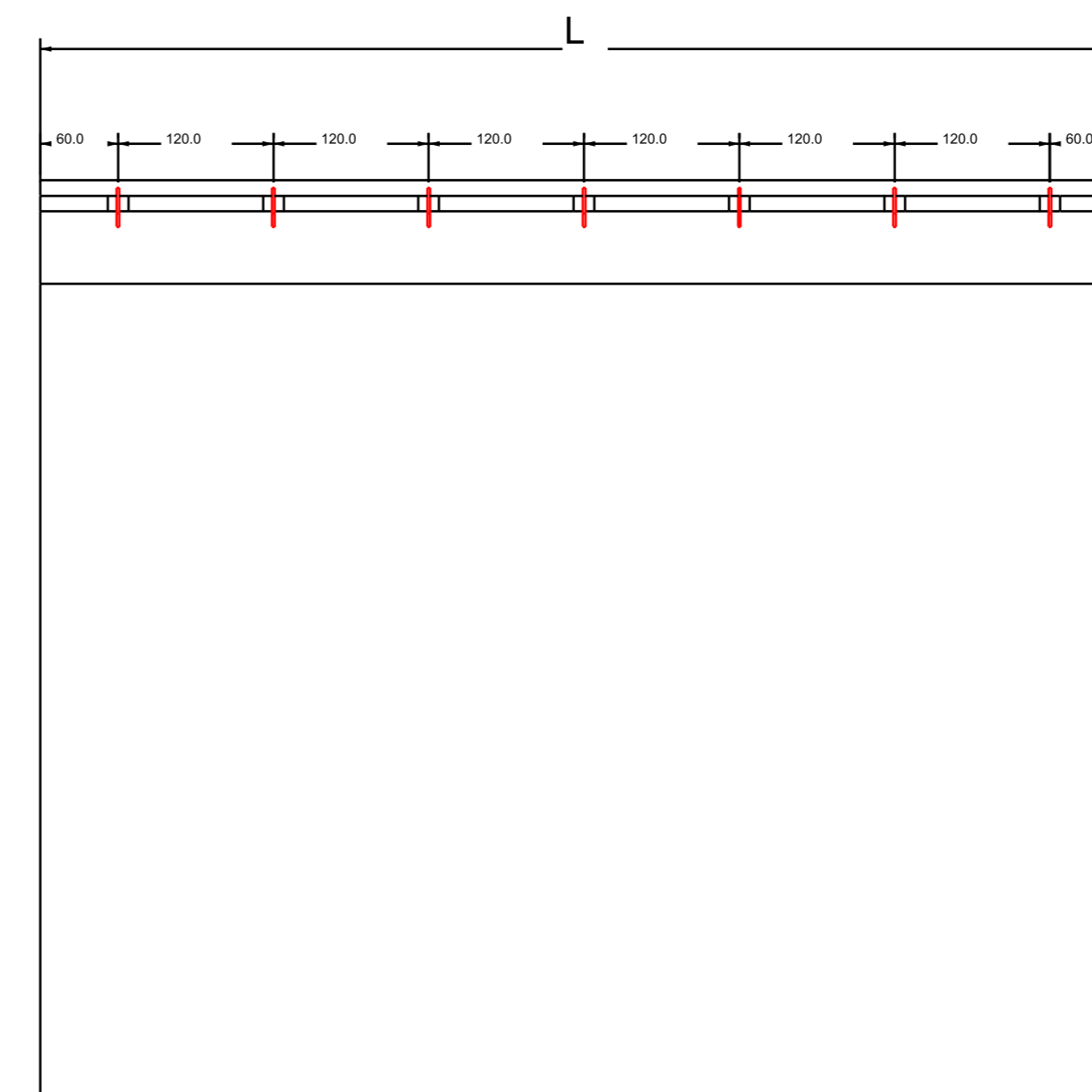
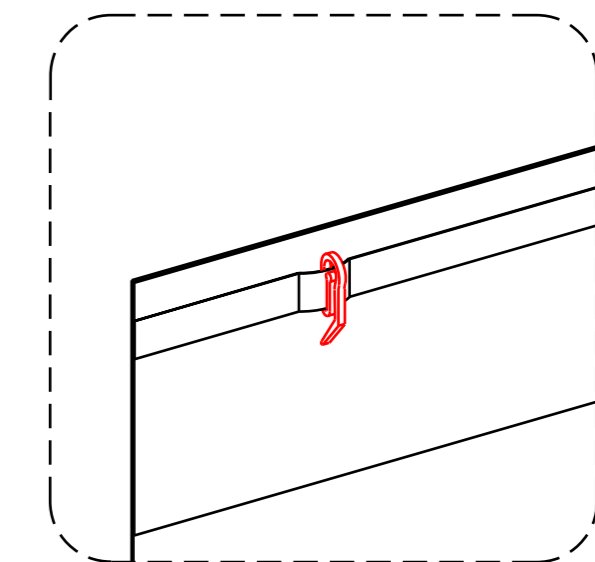
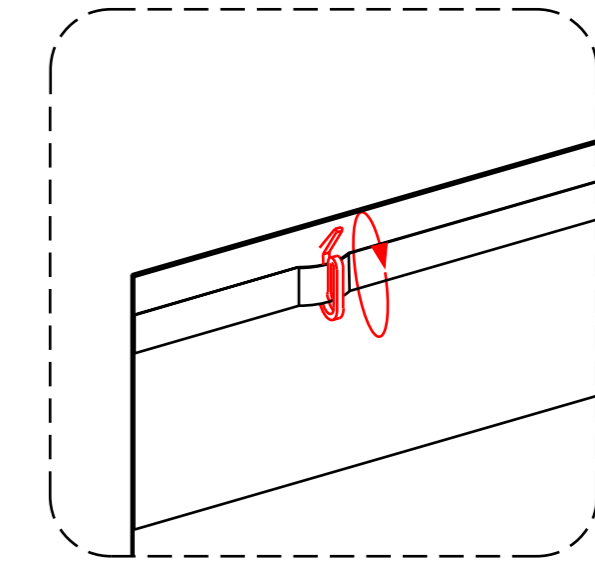
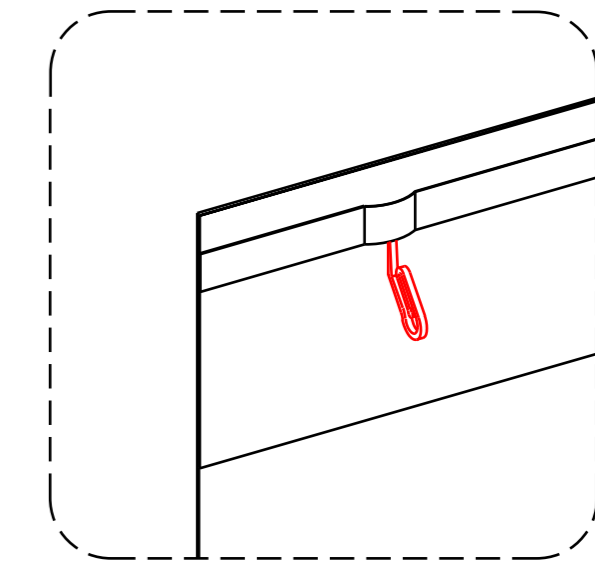
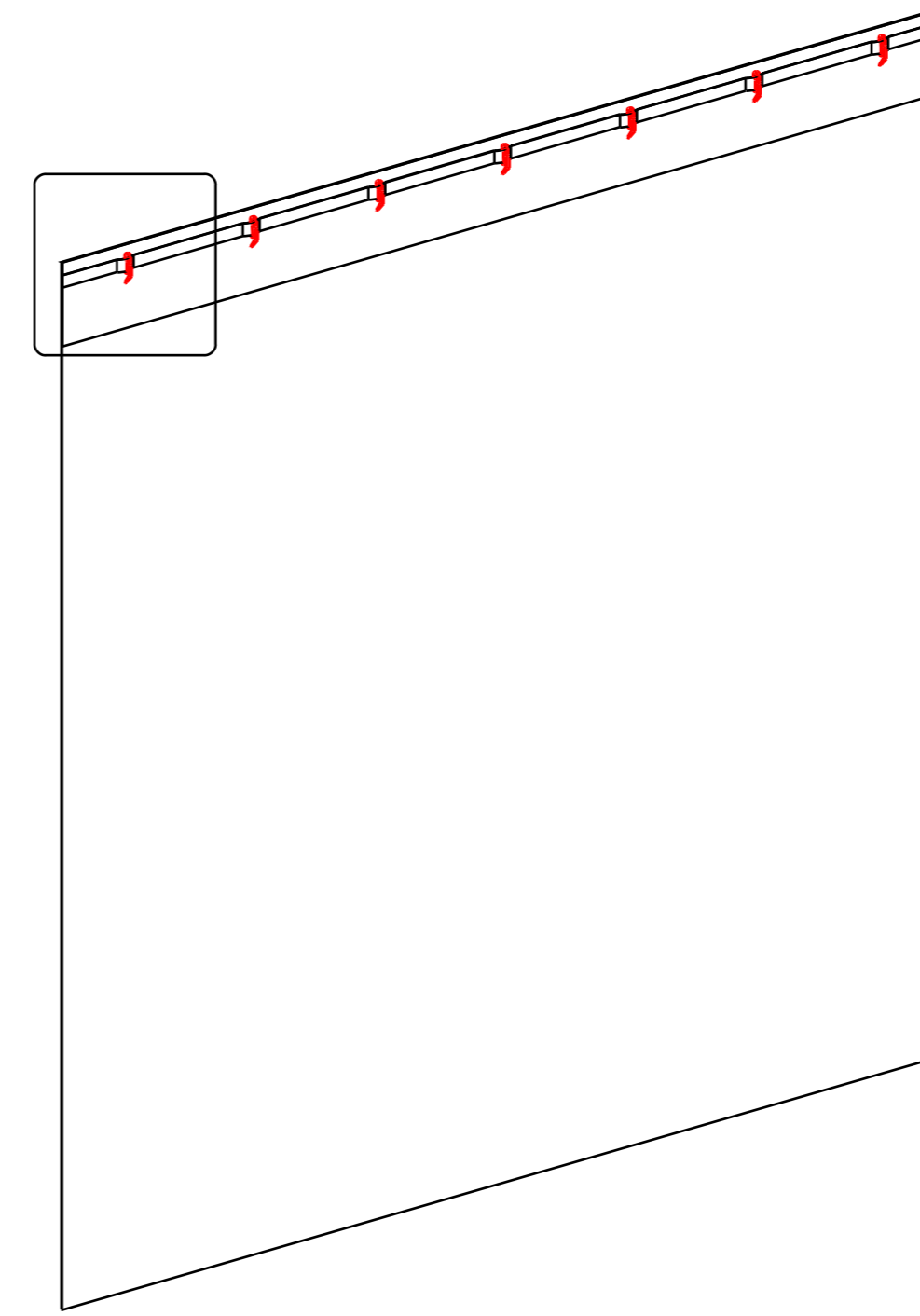


By sliding the button, fix the connector firmly into place until you hear a clicking sound, as shown in the front view.



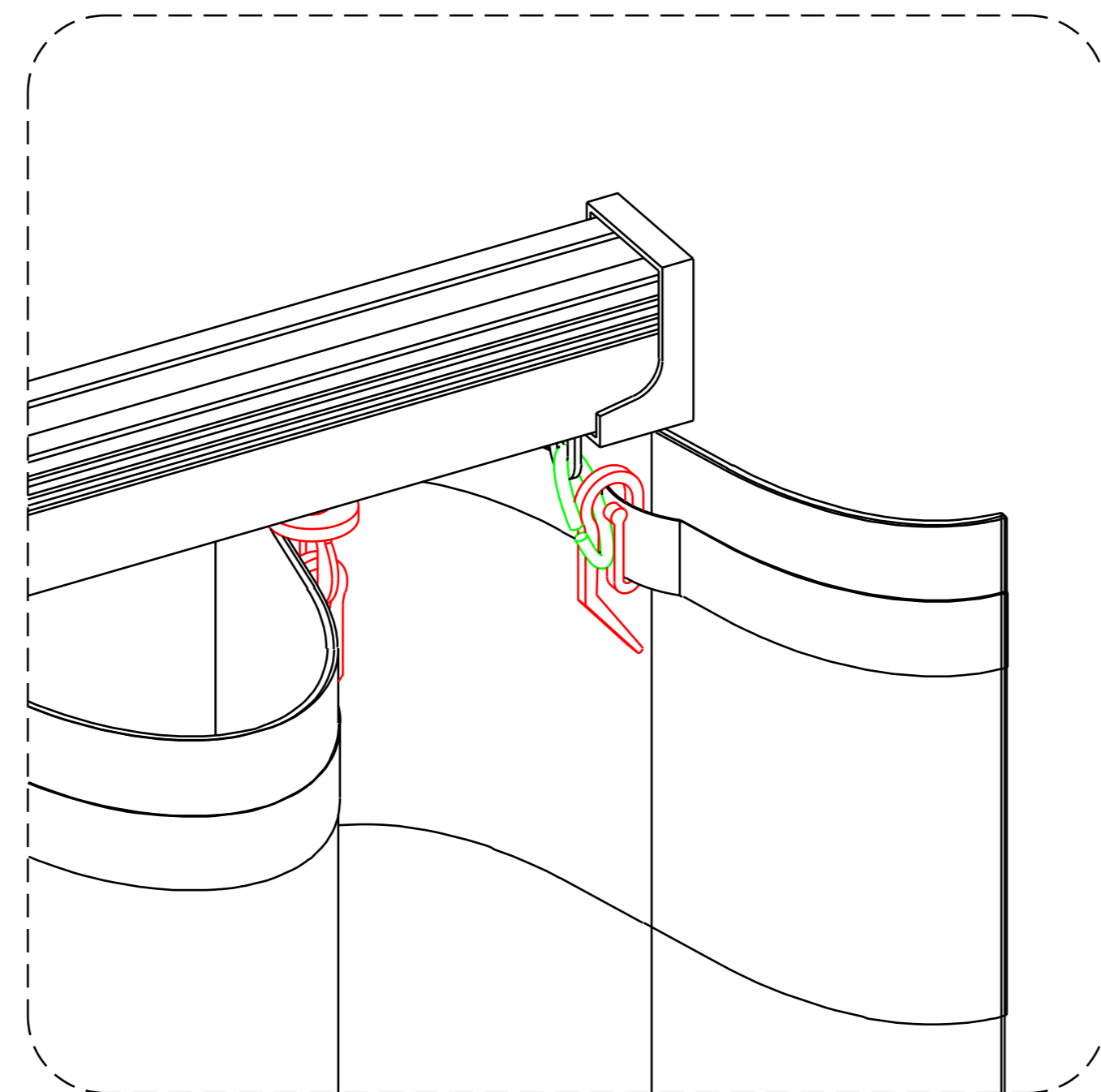
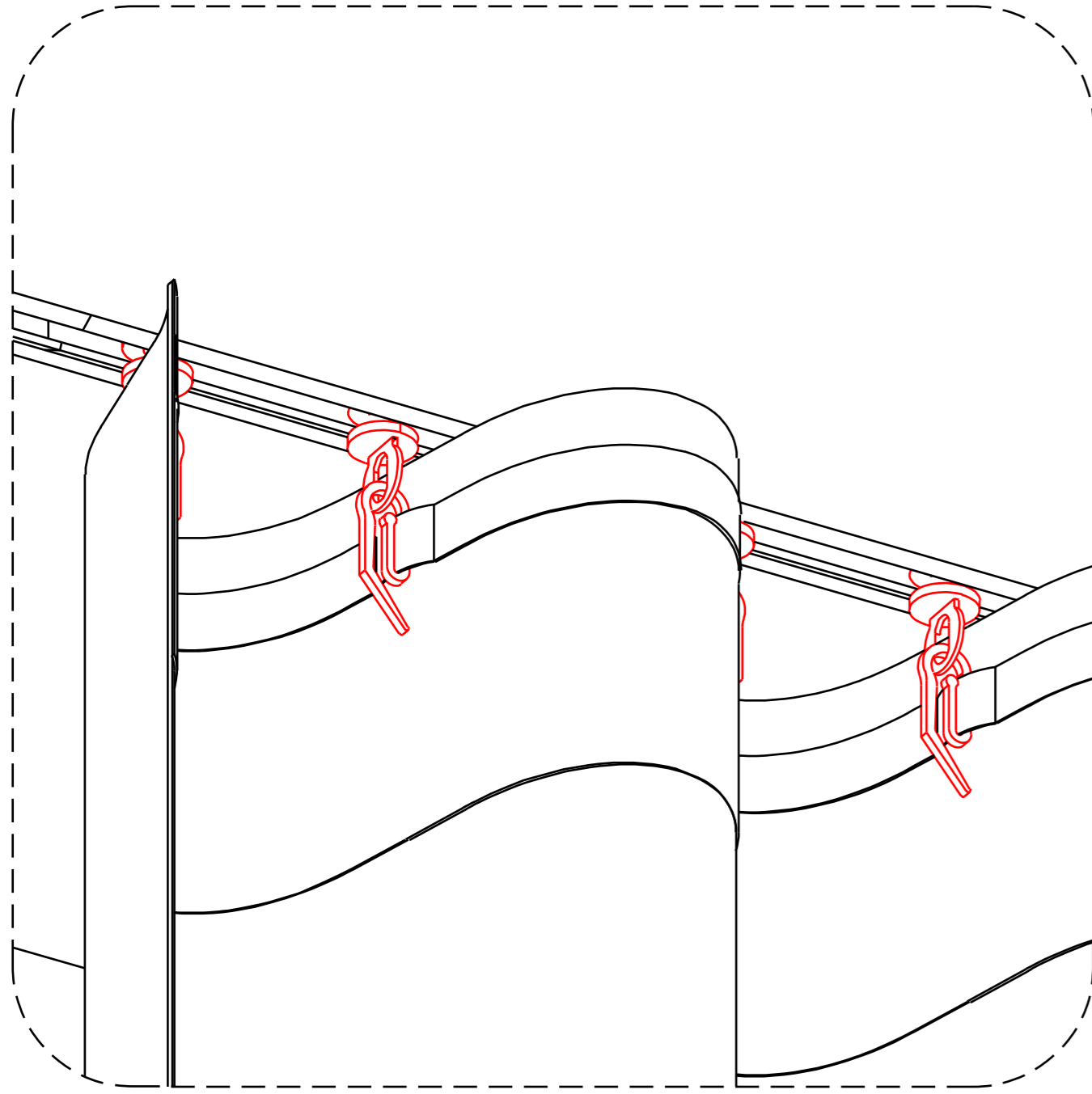
## Step E:

Mount curtain hooks onto the curtain band in accordance with the arrangement shown in the enlarged view. Maintain hook spacing as specified in the dimensioned details of the drawing.



## Step G:

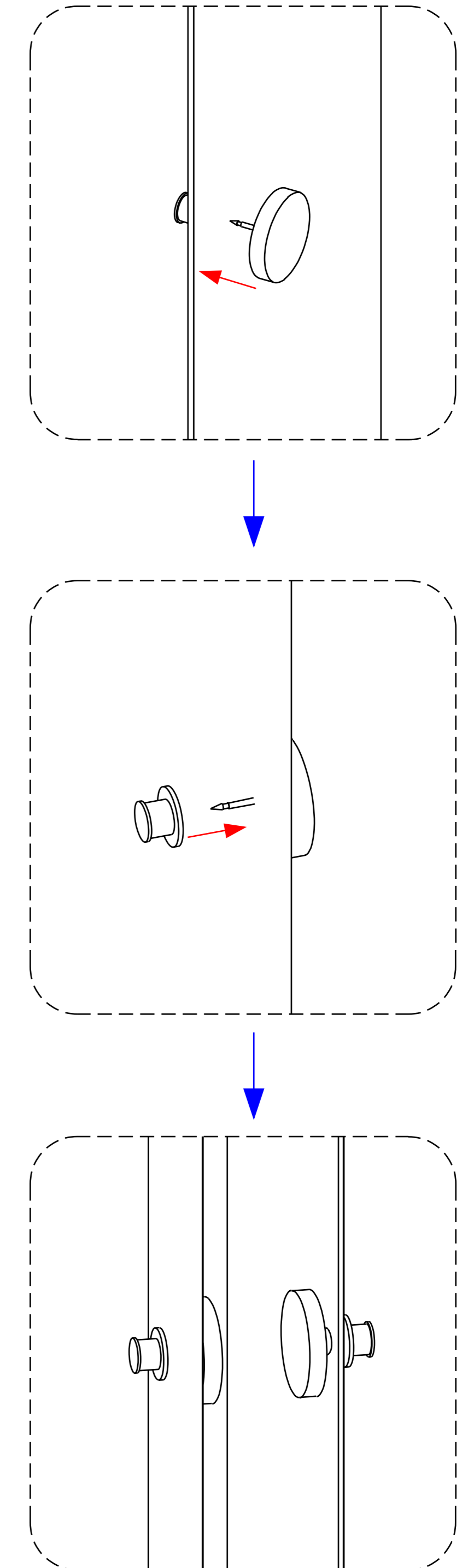
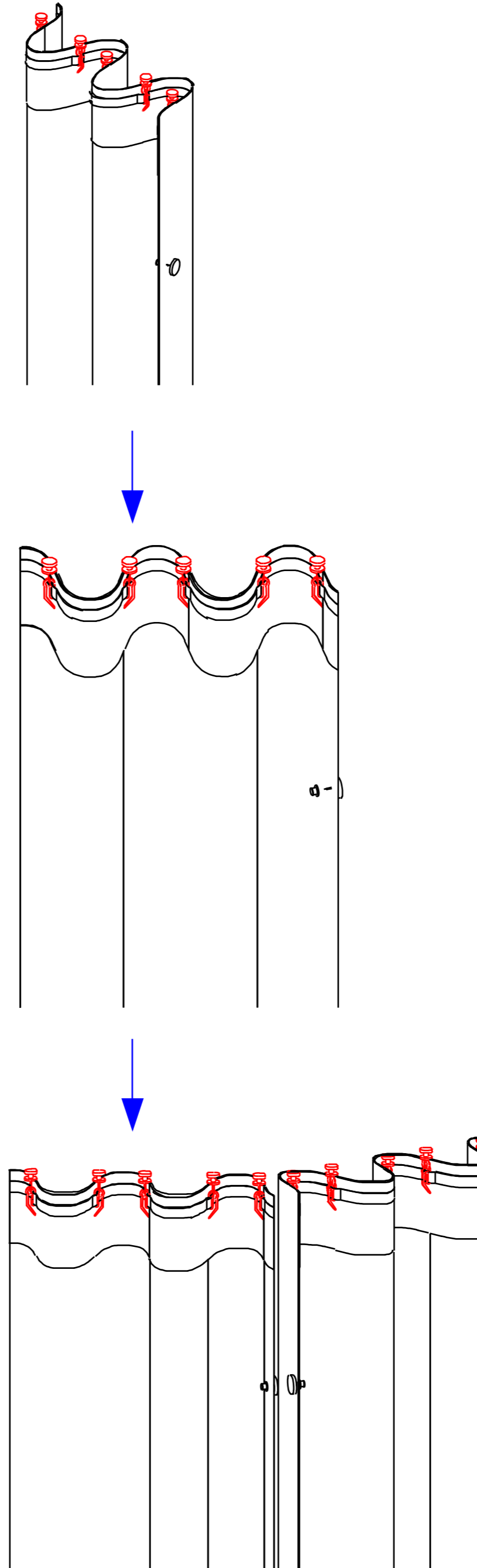
Hang the curtain by securing each hook to the corresponding carrier, starting from one end and proceeding sequentially to the other, ensuring consistent spacing and proper alignment throughout.



Affix the curtain to the end cap at either termination point of the track

## Step H:

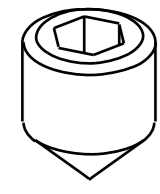
Install the magnet at the specified location and secure it firmly.



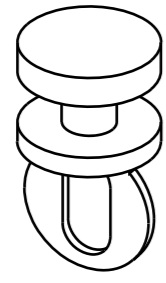
# Installation Steps

Variant: H64 & H84

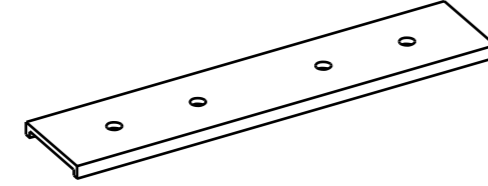
## Parts Included



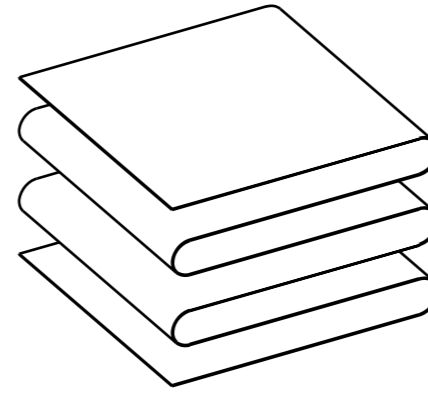
Grub Screw  
M4 x 4mm



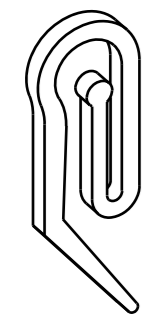
Carrier



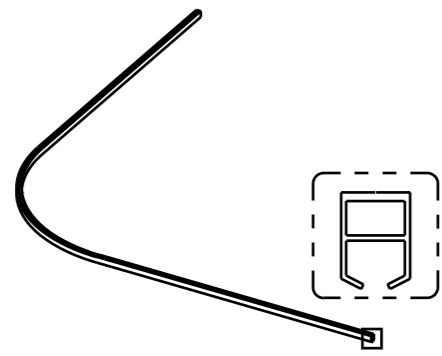
Profile Connector



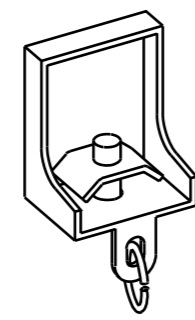
Curtain



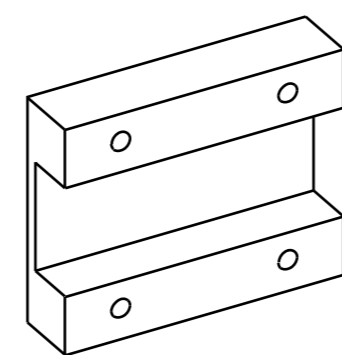
Fish Curtain Hook  
(Wave Pleat)



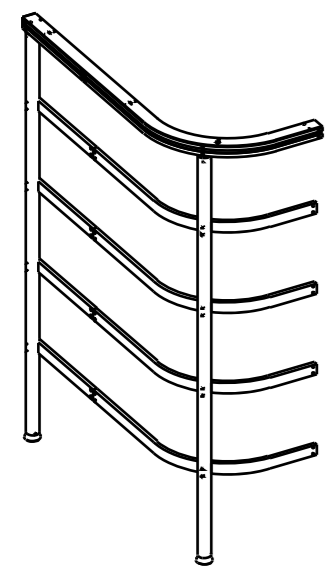
Curtain Profile



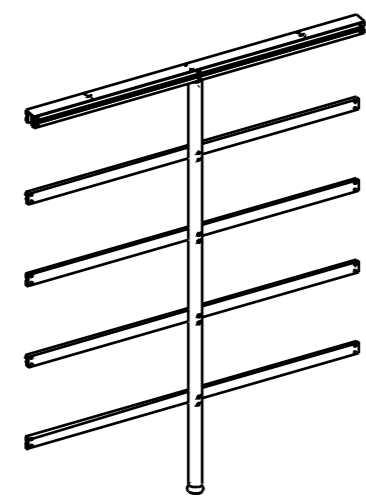
End Cap (2 set)



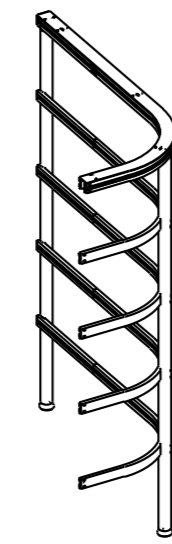
Connector  
(12 nos)



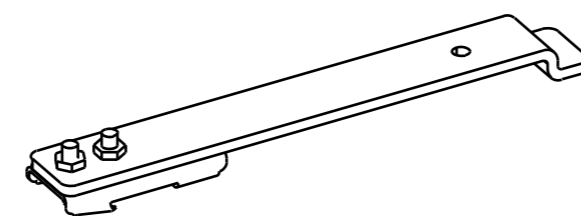
Al. Structure  
Right



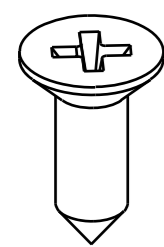
Al. Structure  
Centre



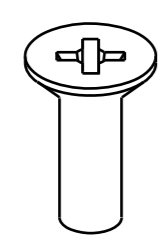
Al. Structure  
Left



Profile Track Mount  
Connector (8nos)



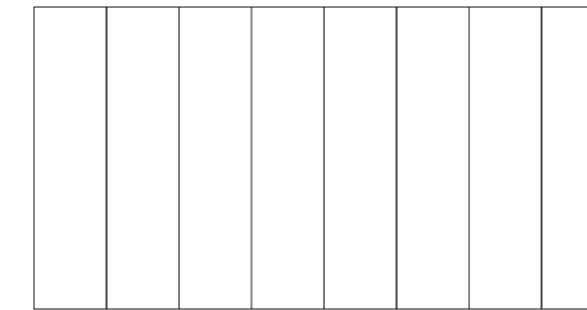
M4 x13 screw  
(8 nos)



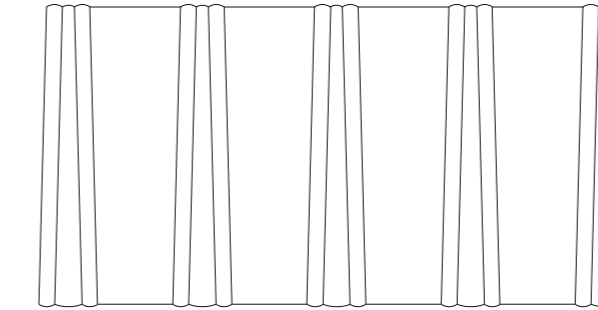
M4 x12 screw  
(48 nos)

## Pick Point Layout

### Curtain Pleat Options



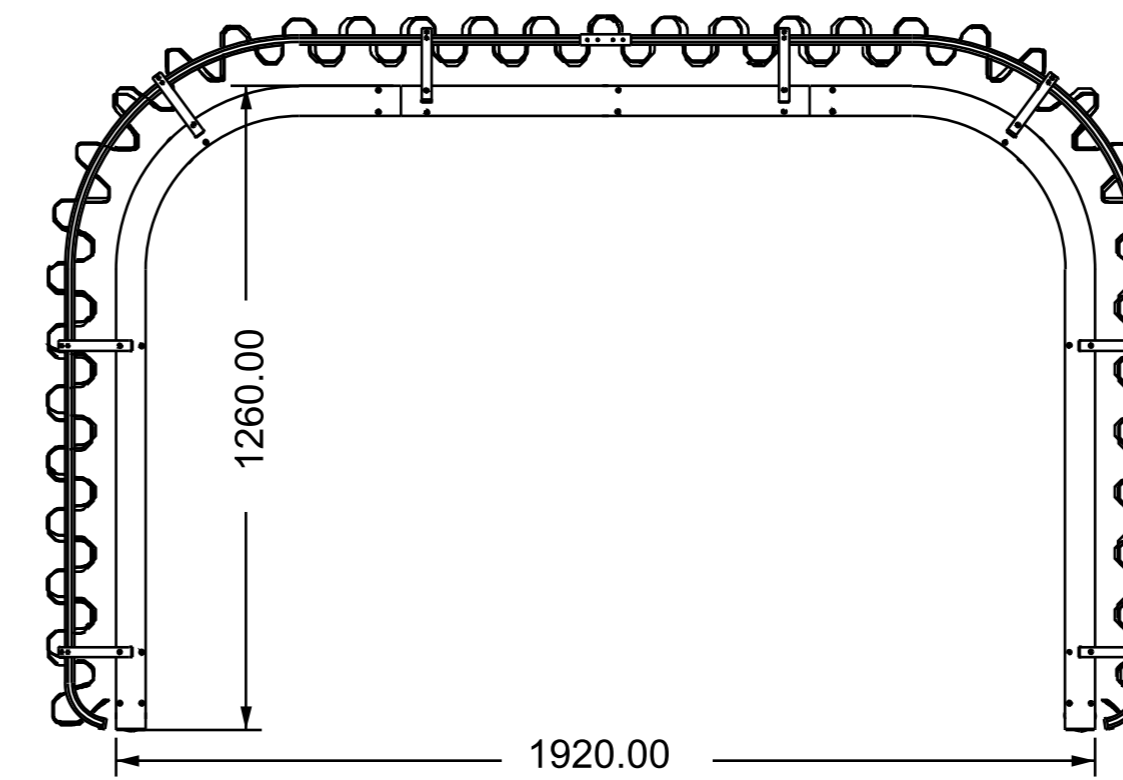
Wave



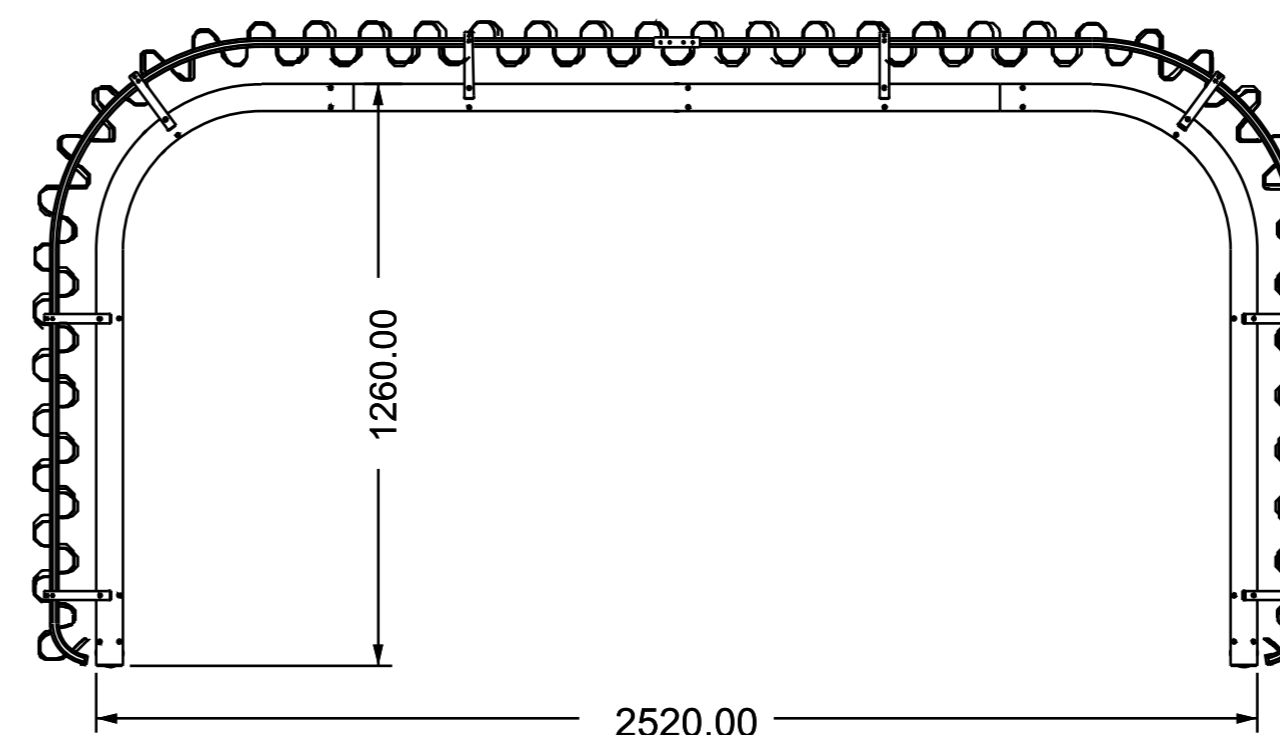
Triple Pleat

### Design Module

#### Rectangle M



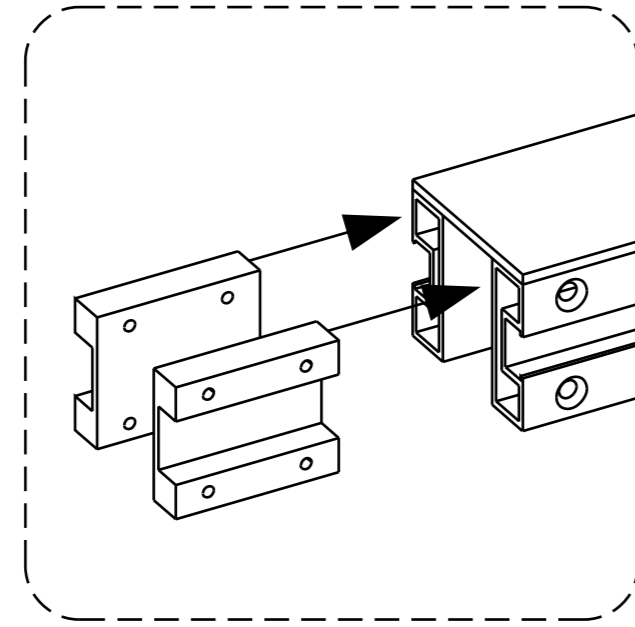
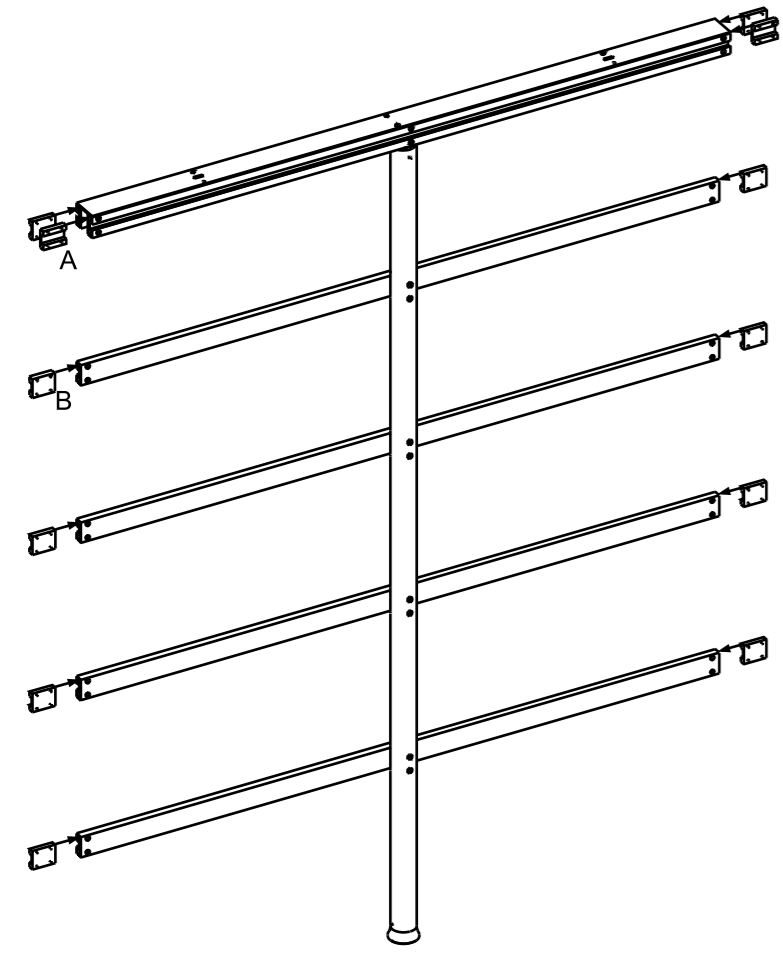
#### Rectangle L



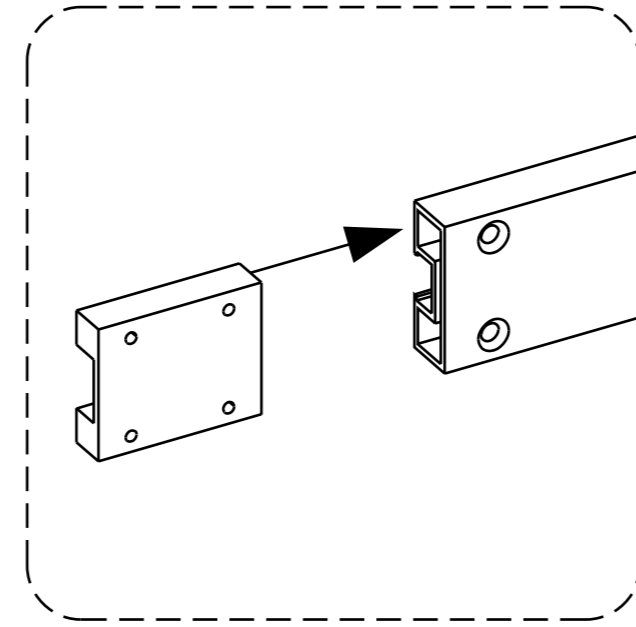
# Assembly

## Step A:

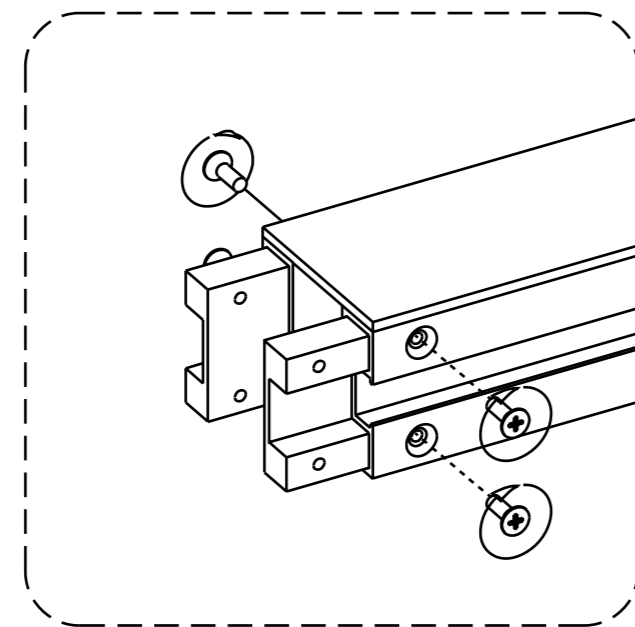
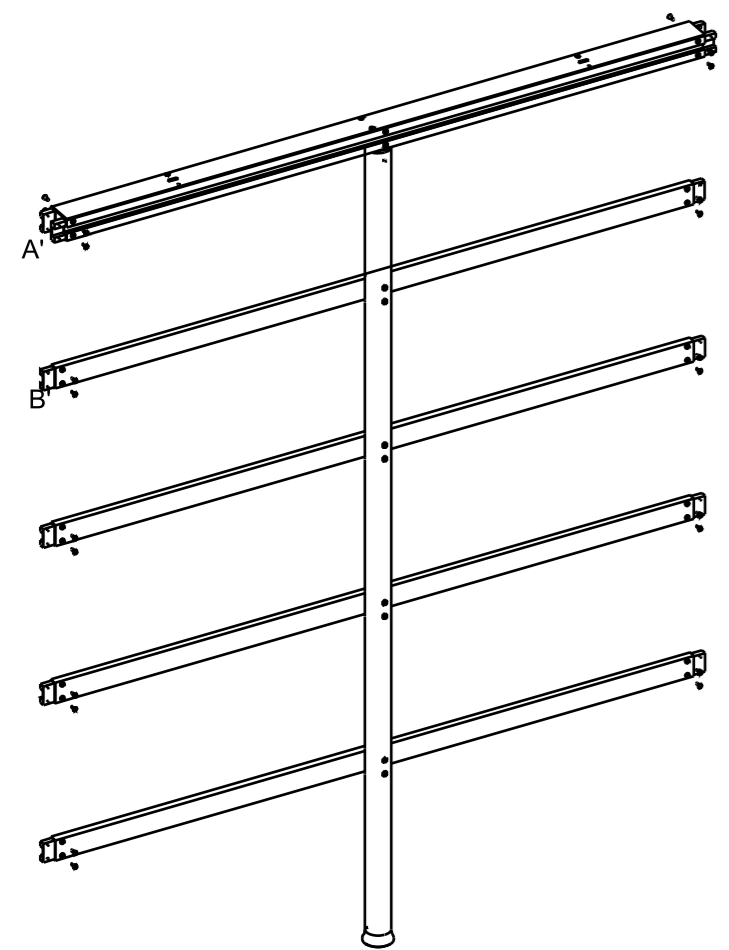
Insert the connector half way and tighten with M4 x 12 flat head screw as illustrated in the enlarged view.



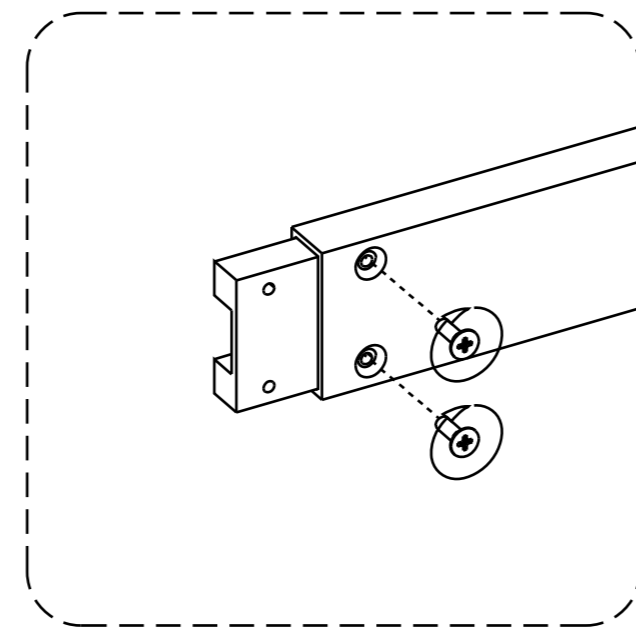
Detail-A



Detail-B



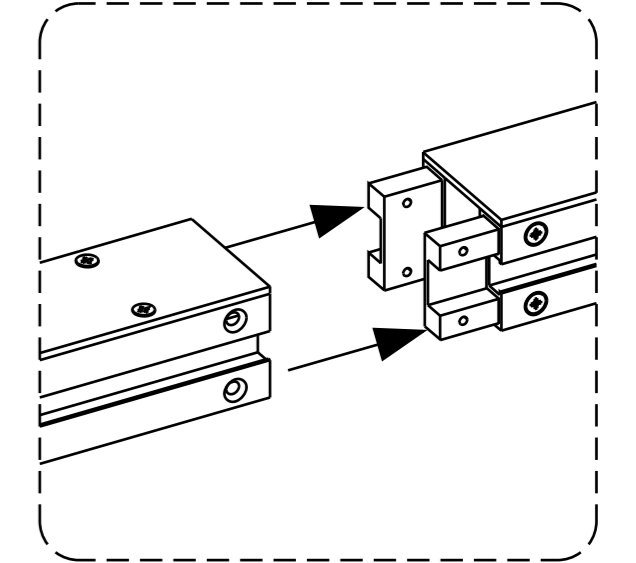
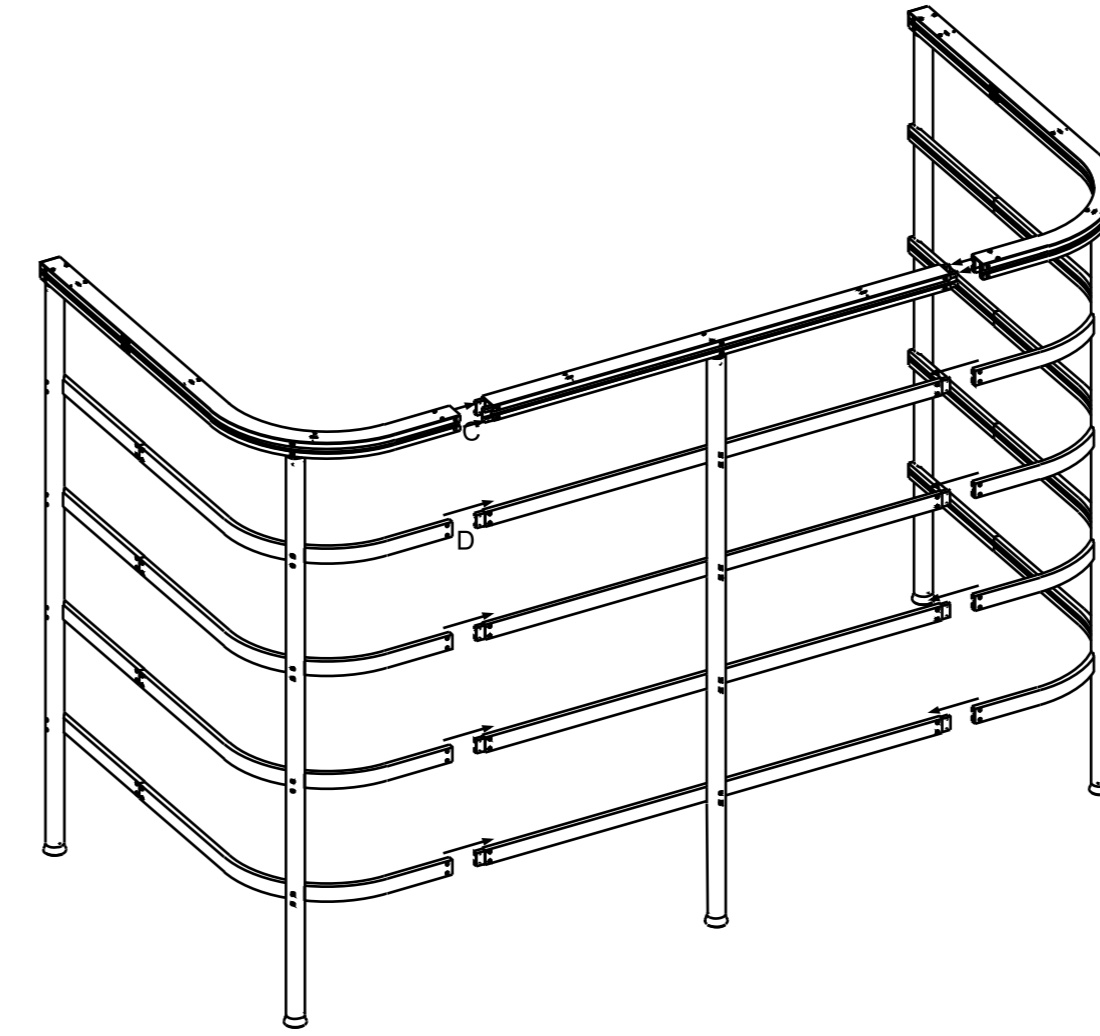
Detail-A'



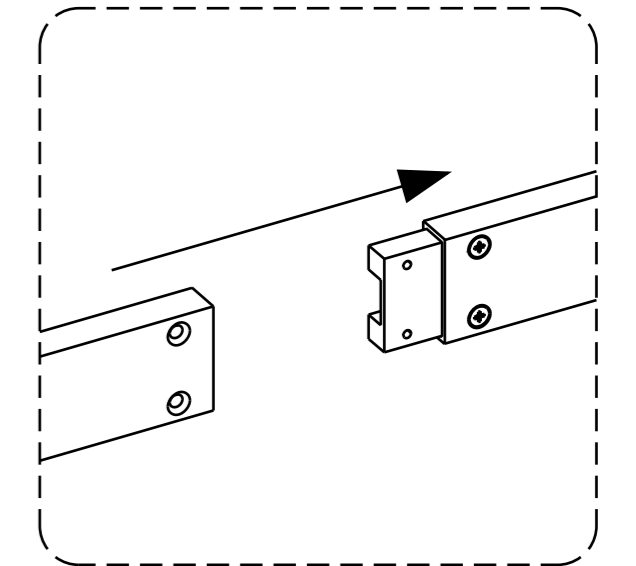
Detail-B'

## Step B:

Connect the aluminum structure to the adjacent one using the secured connector as shown in Details C and D.

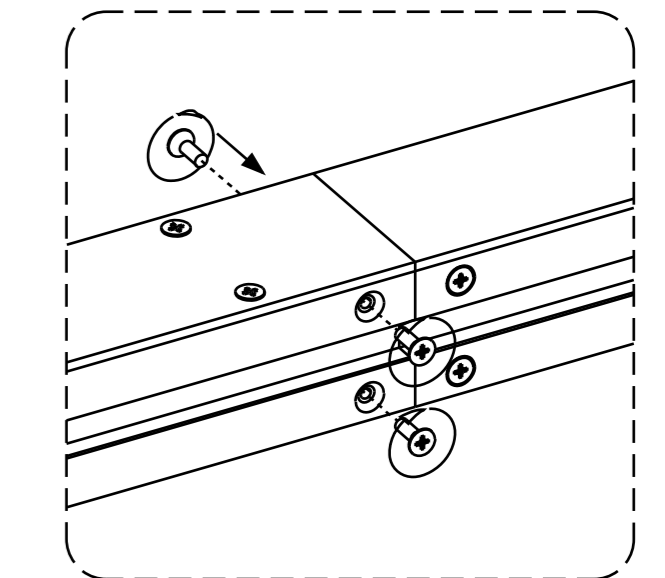
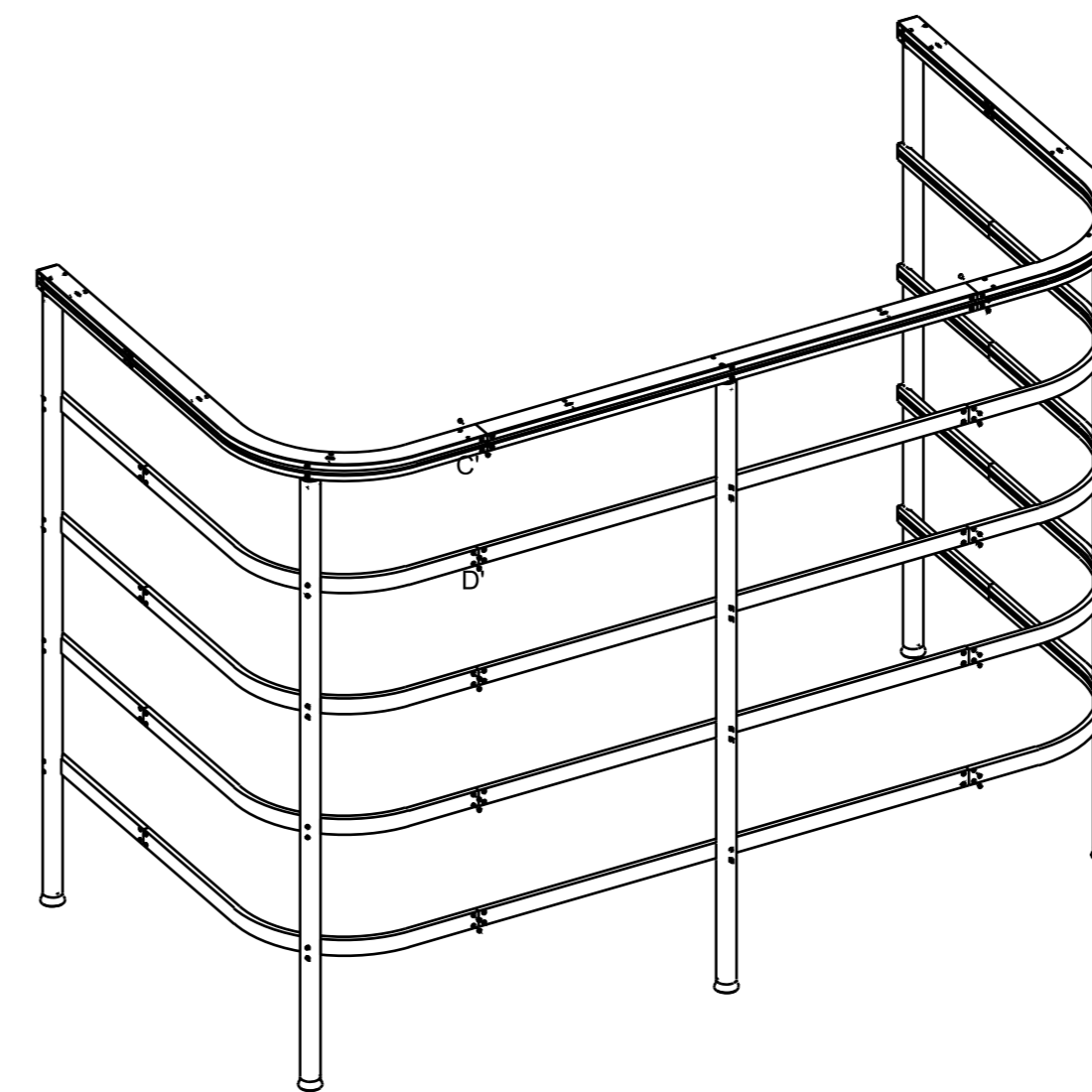


Detail-C

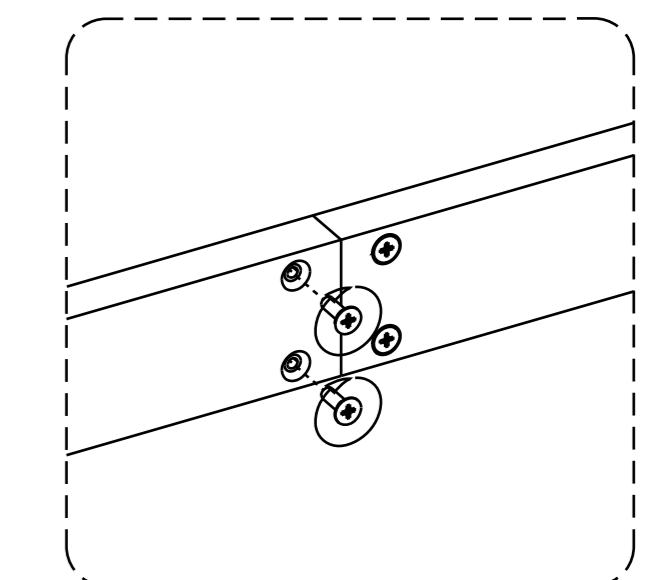


Detail-D

Fasten the aluminum structure with M4 x 12 flat head screws, as illustrated in Detail C' and D'.



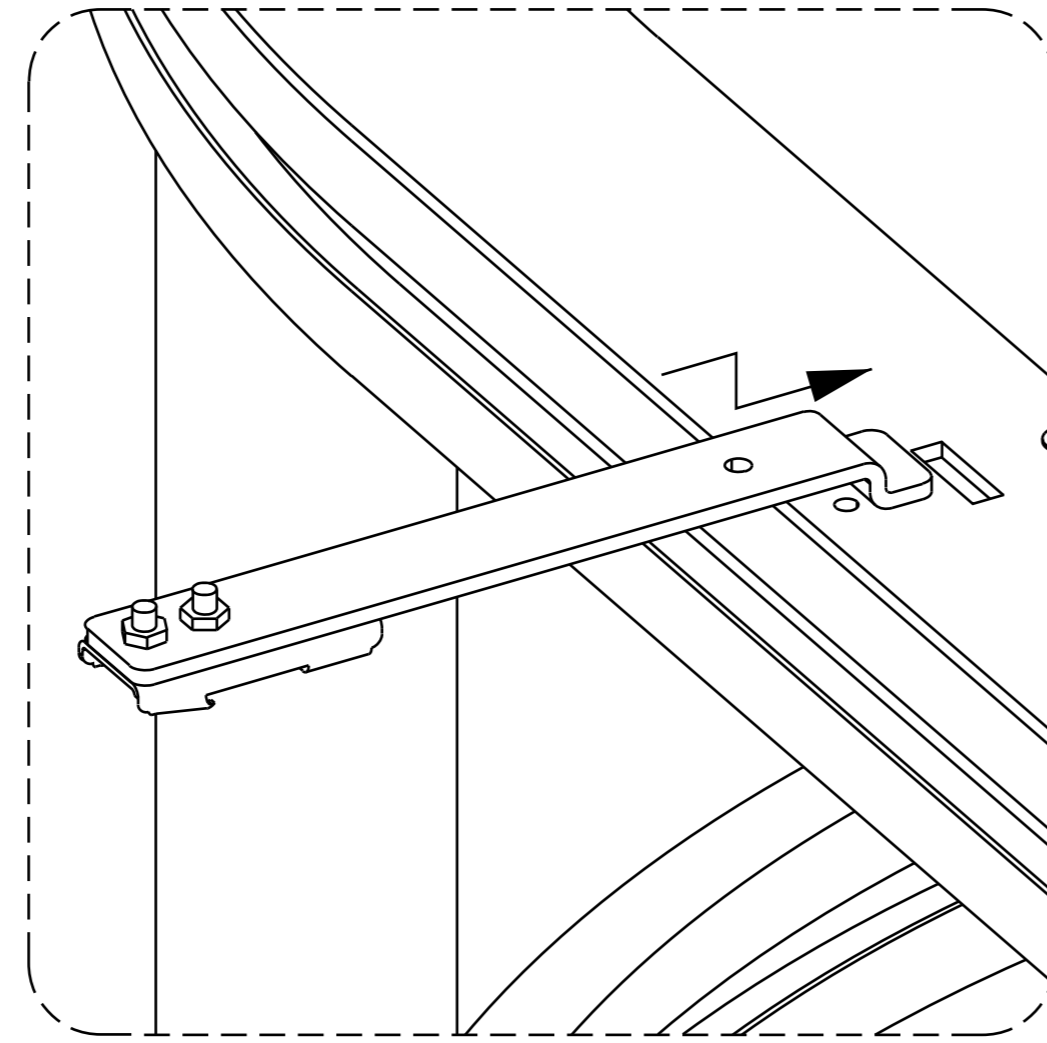
Detail-C'



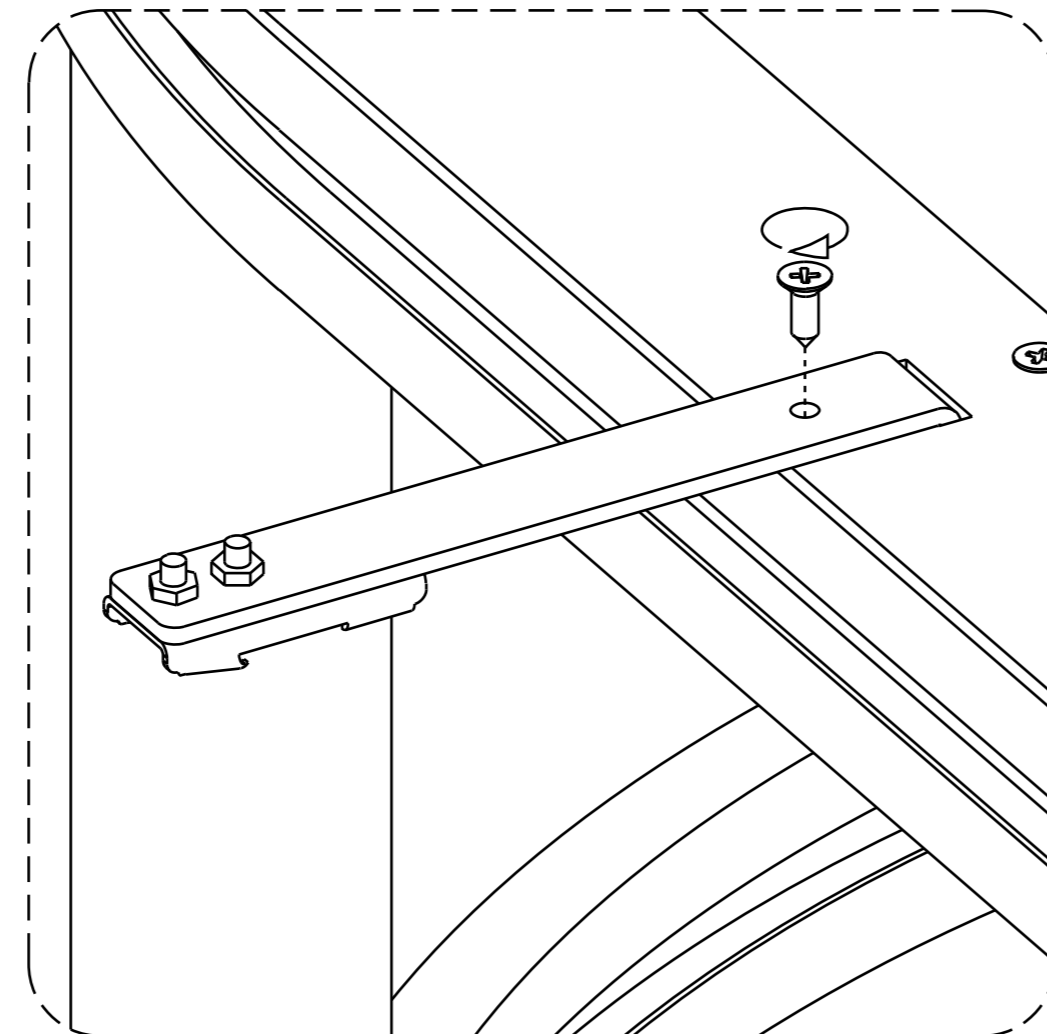
Detail-D'

## Step C:

Insert the profile track mount connector as illustrated in the enlarged view.

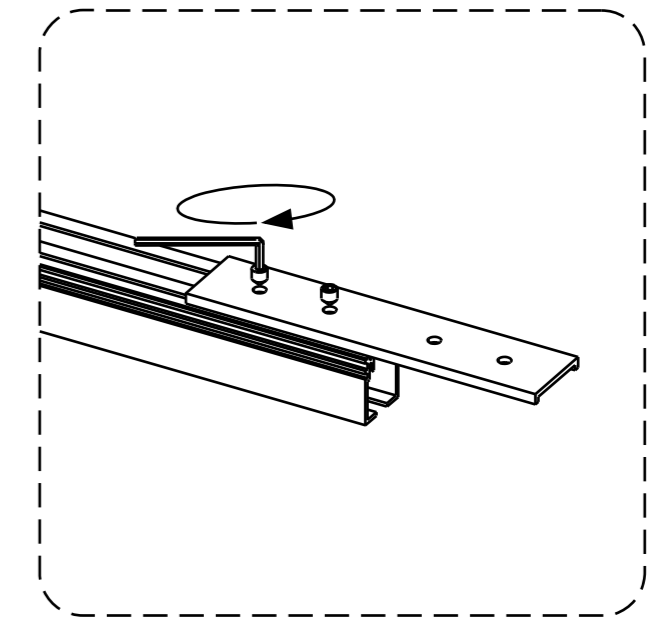


Secure the profile track mount connector with the screw as shown in enlarged view.

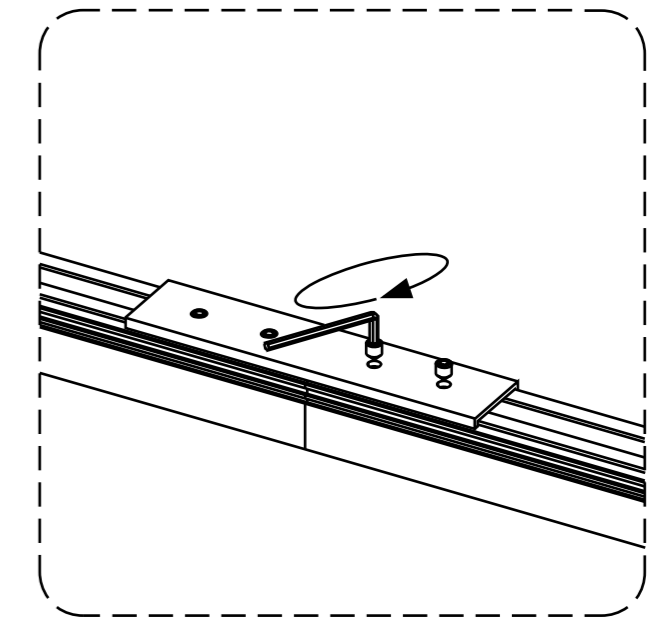


## Step D:

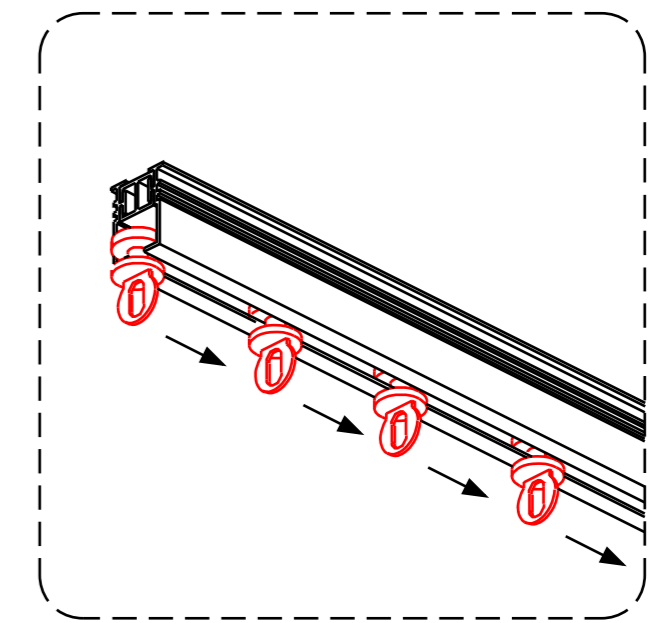
Insert the profile connectors halfway and tighten the two set grub screws.



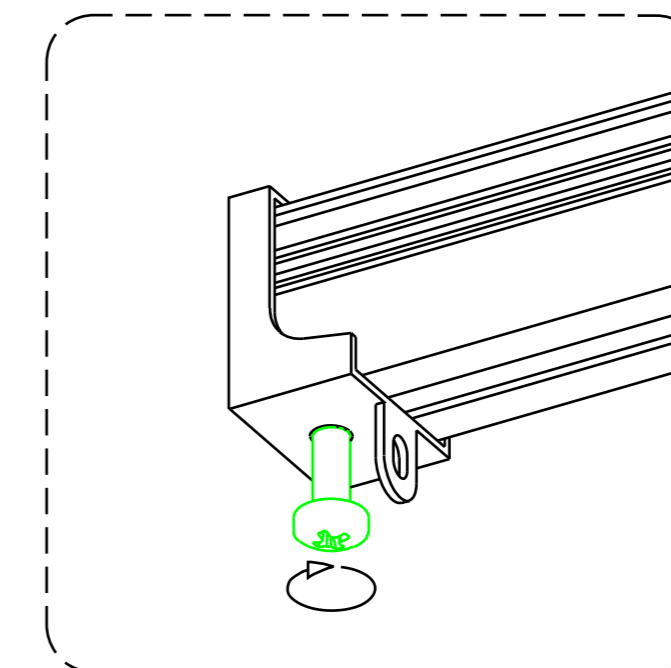
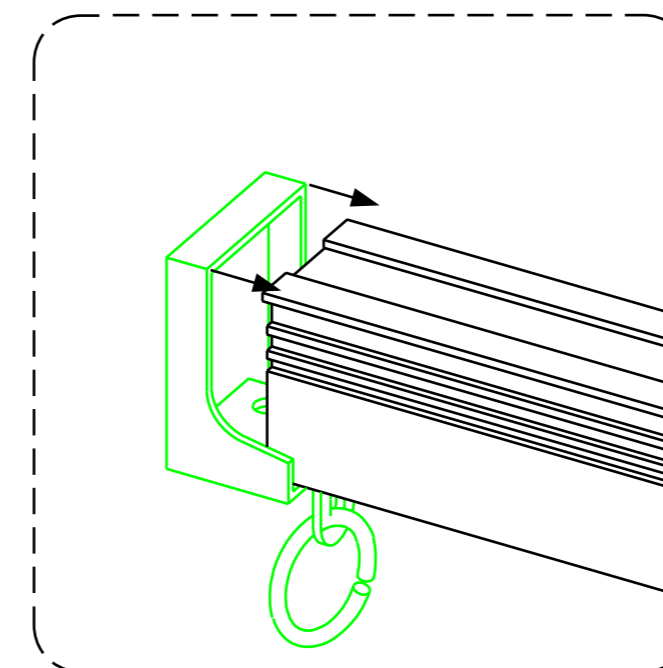
Attach the second running rail to the first one. Tighten the remaining two set grub screws.



Please do not forget to insert the carriers if the tracks form a closed shape.

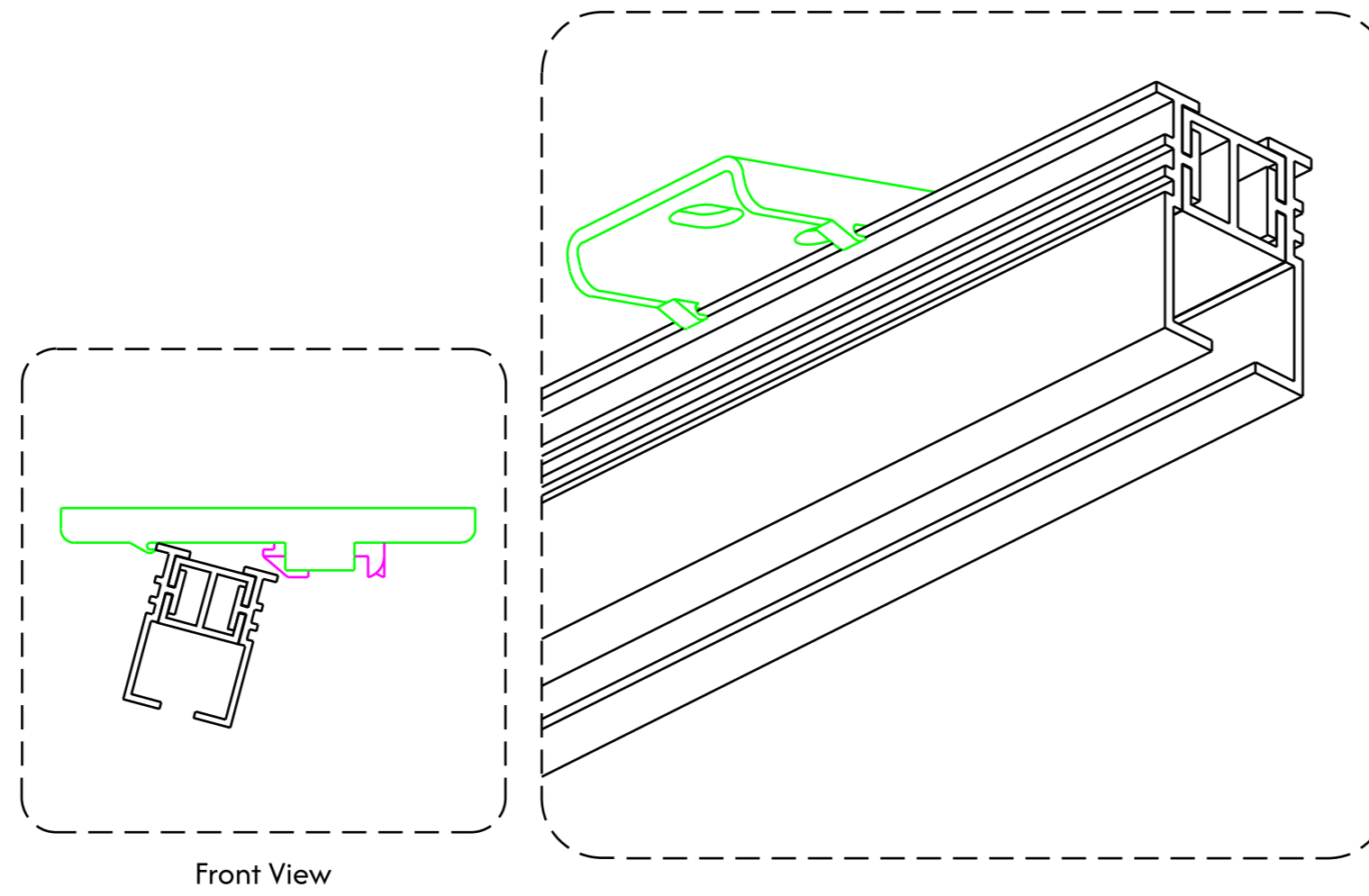


Secure the end cap to both ends using appropriate fasteners, as shown in the enlarged view.



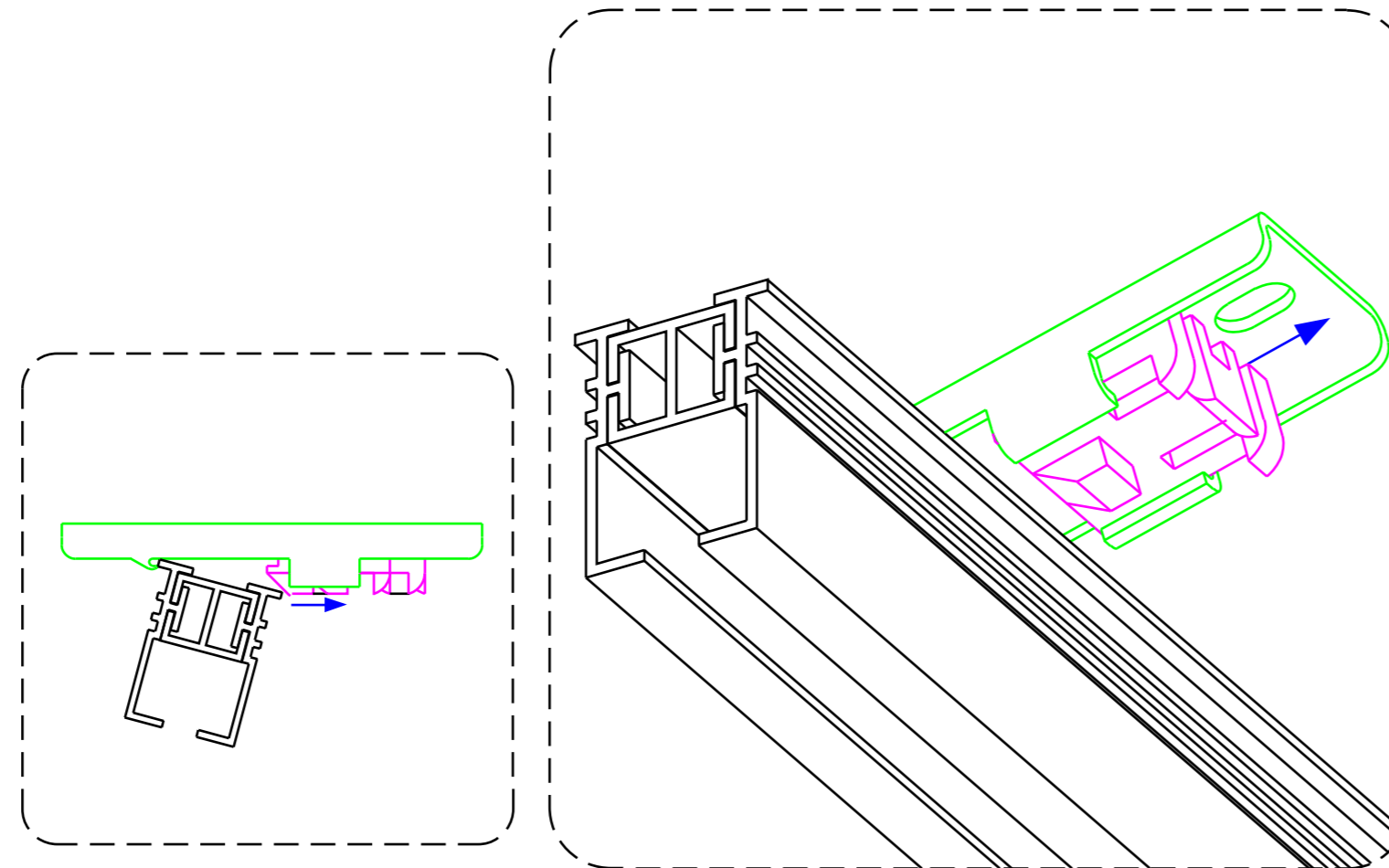
## Step E:

Secure the connector as shown in the front view.



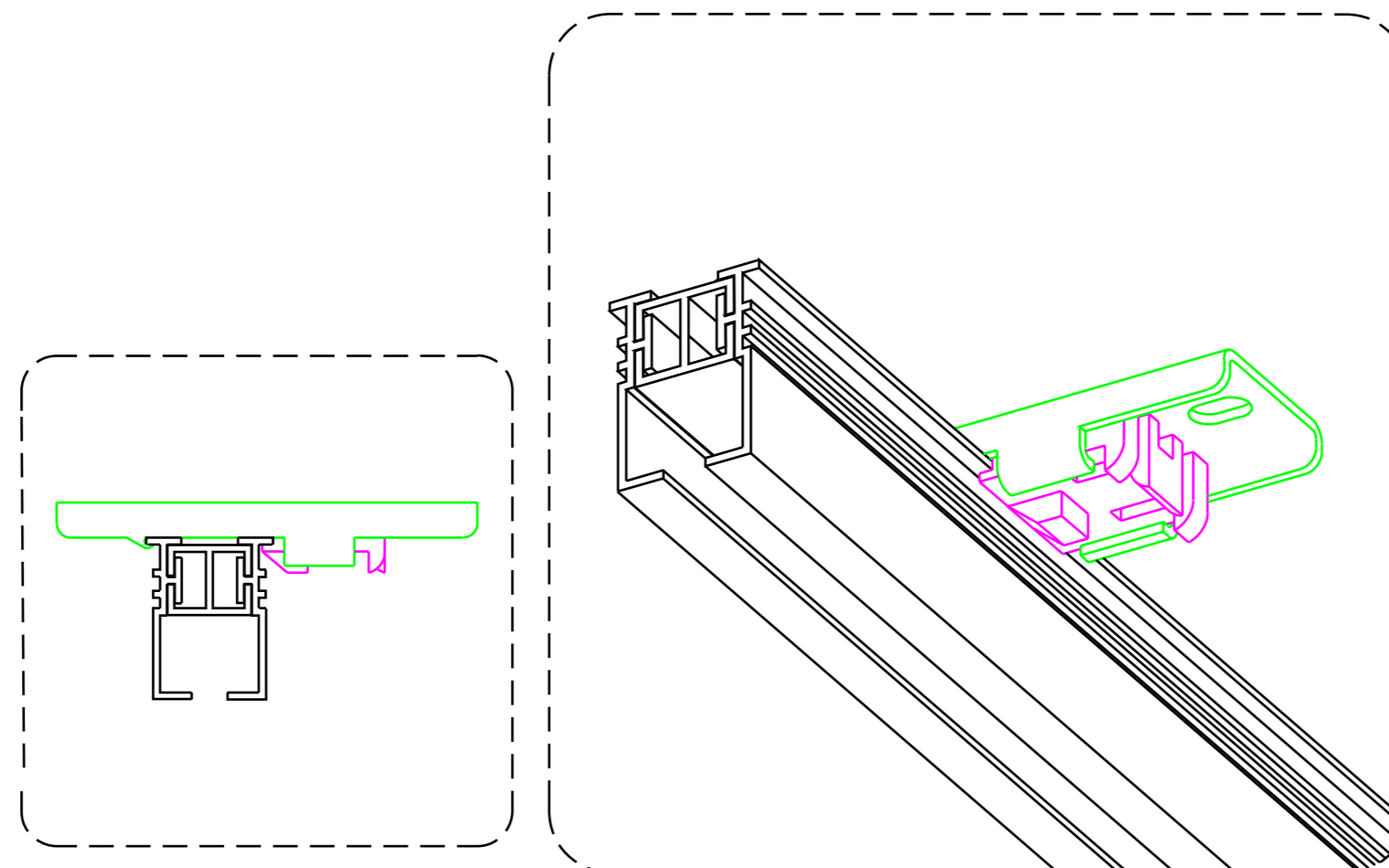
Front View

Slide the button located below, indicated in pink, in the direction shown in the front view.



Front View

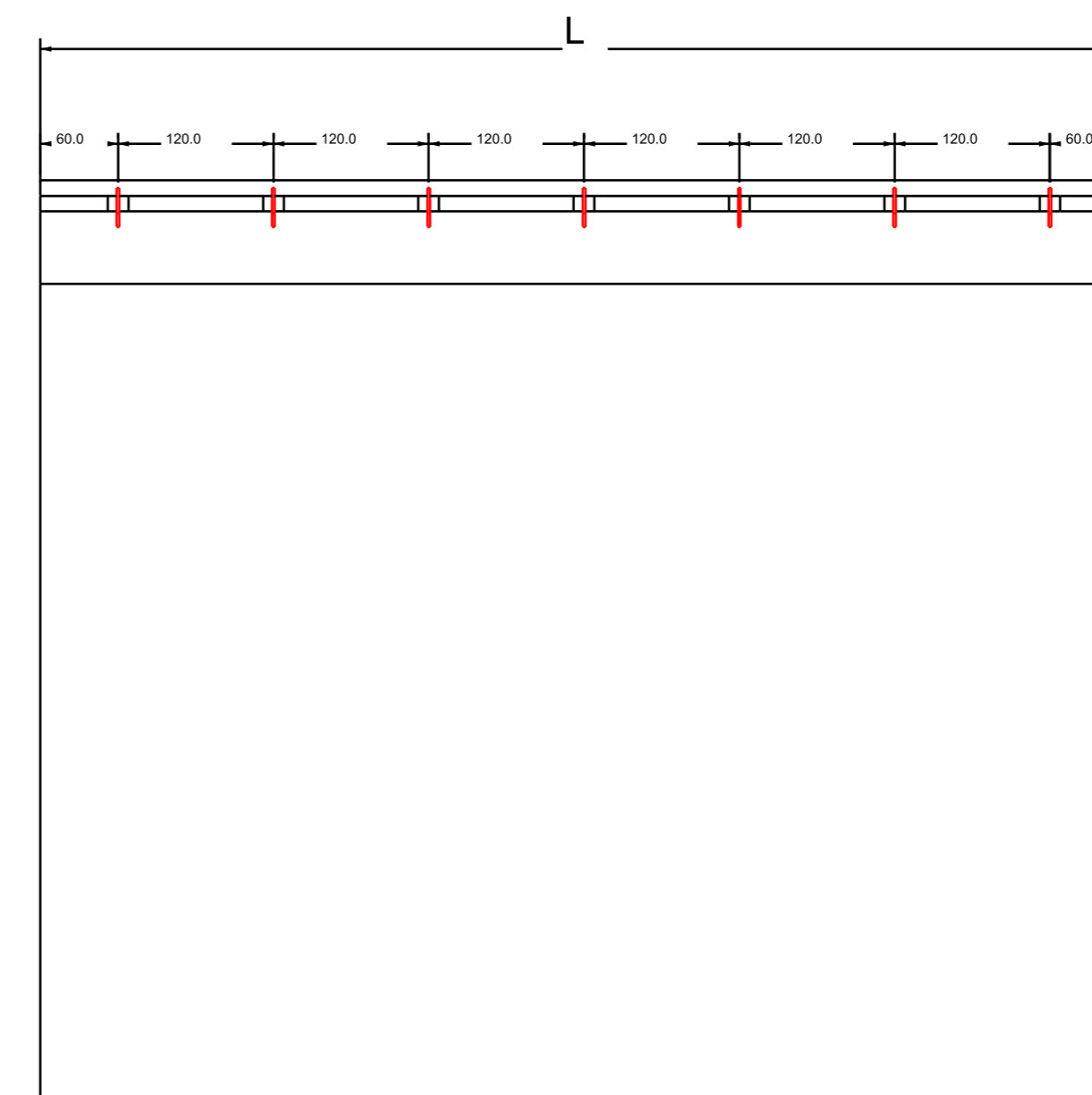
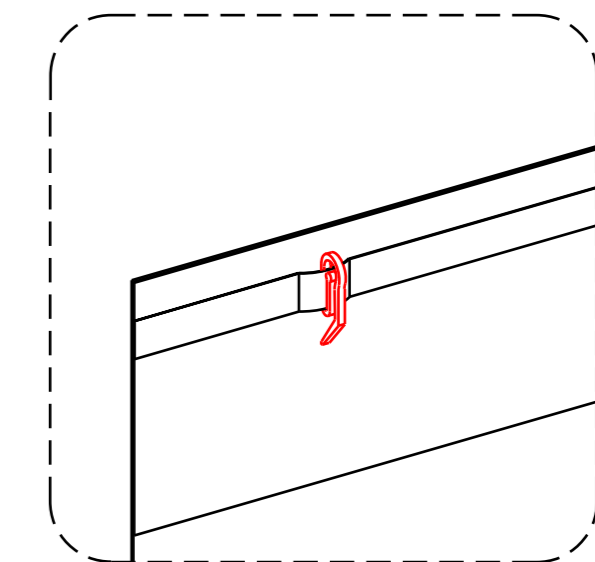
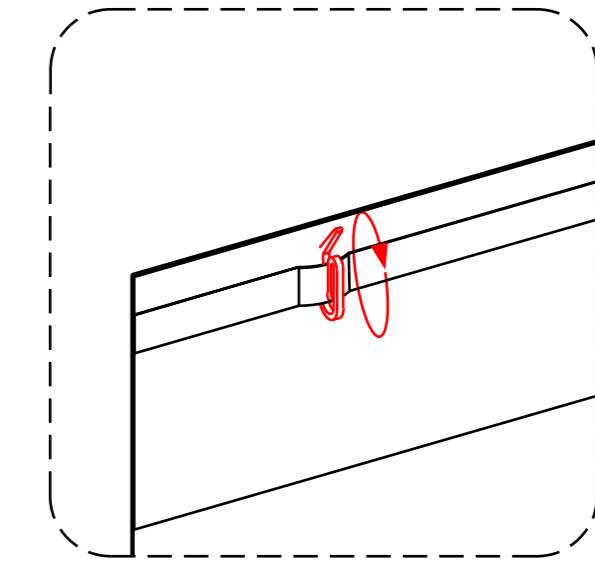
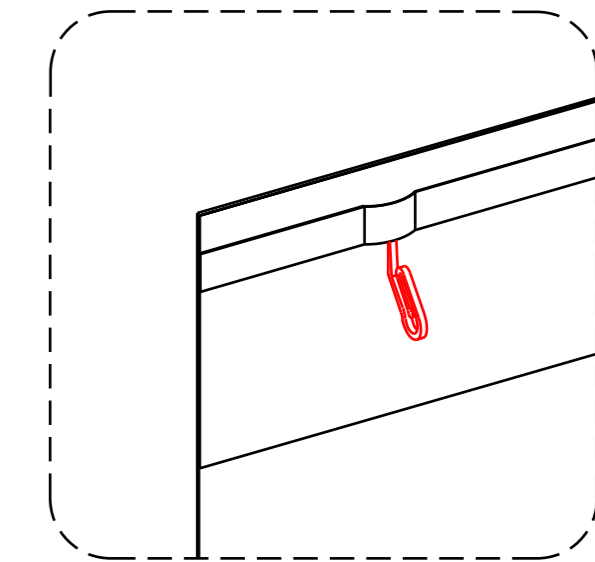
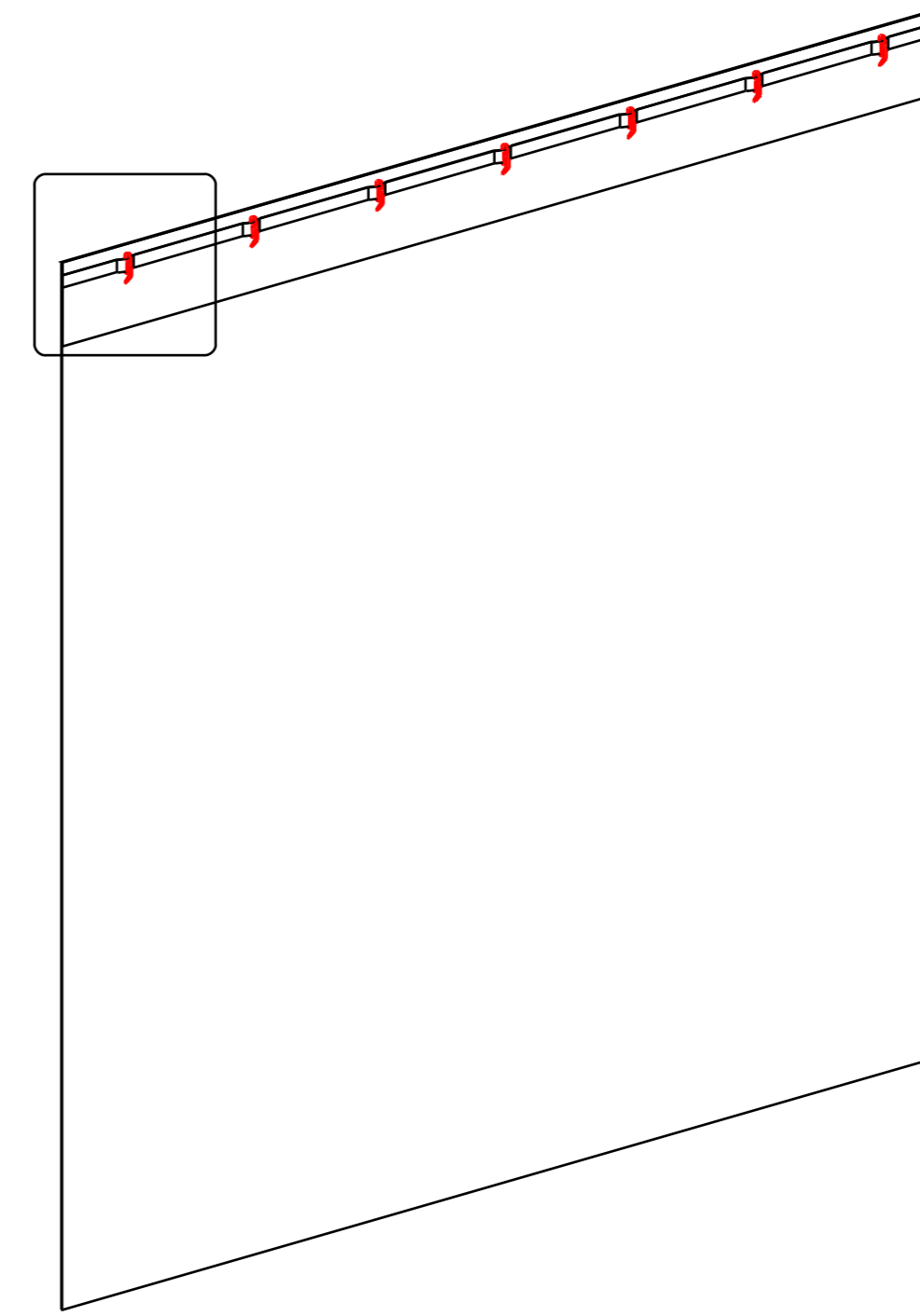
By sliding the button, fix the connector firmly into place until you hear a clicking sound, as shown in the front view.



Front View

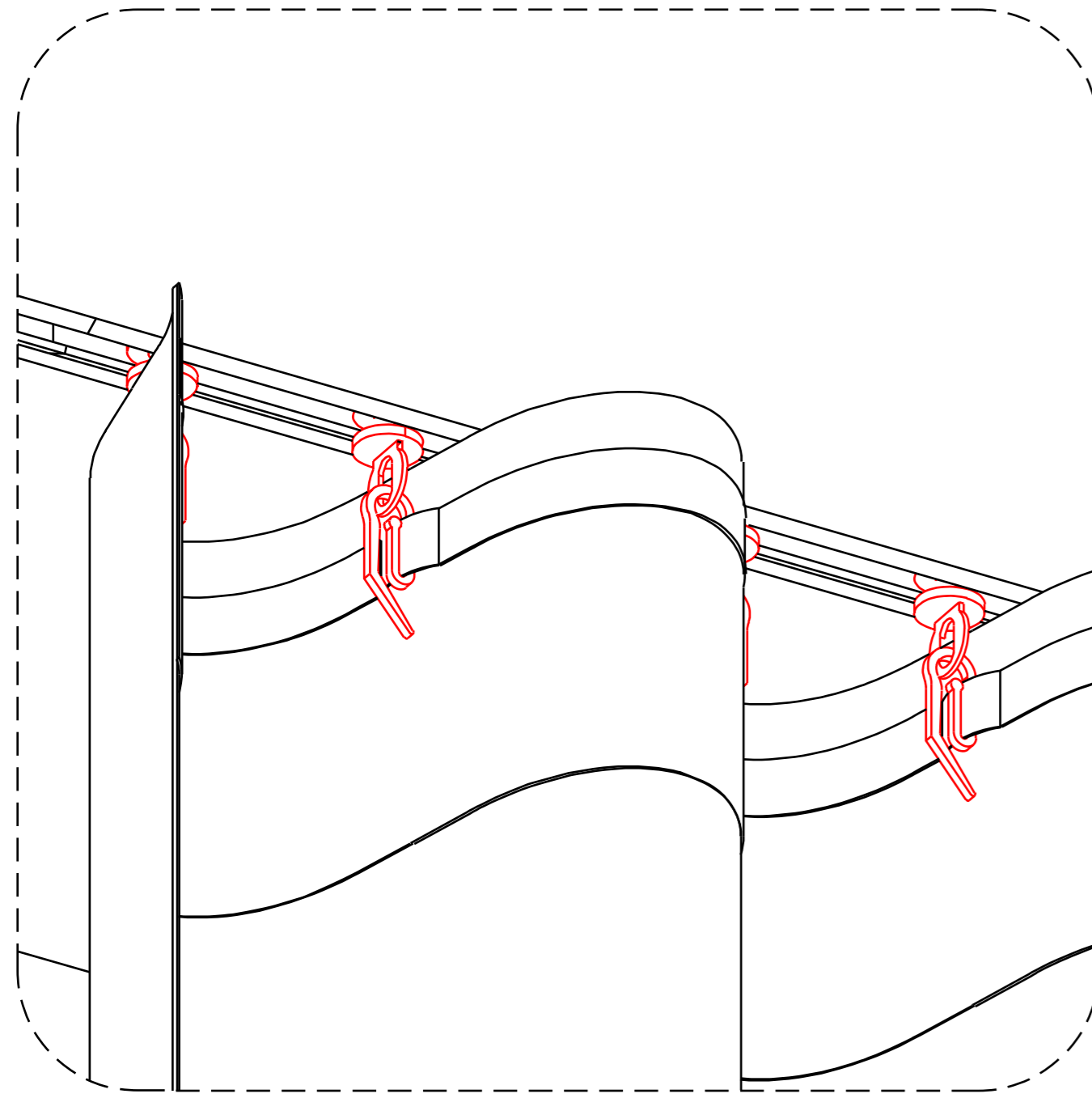
## Step F:

Mount curtain hooks onto the curtain band in accordance with the arrangement shown in the enlarged view. Maintain hook spacing as specified in the dimensioned details of the drawing.

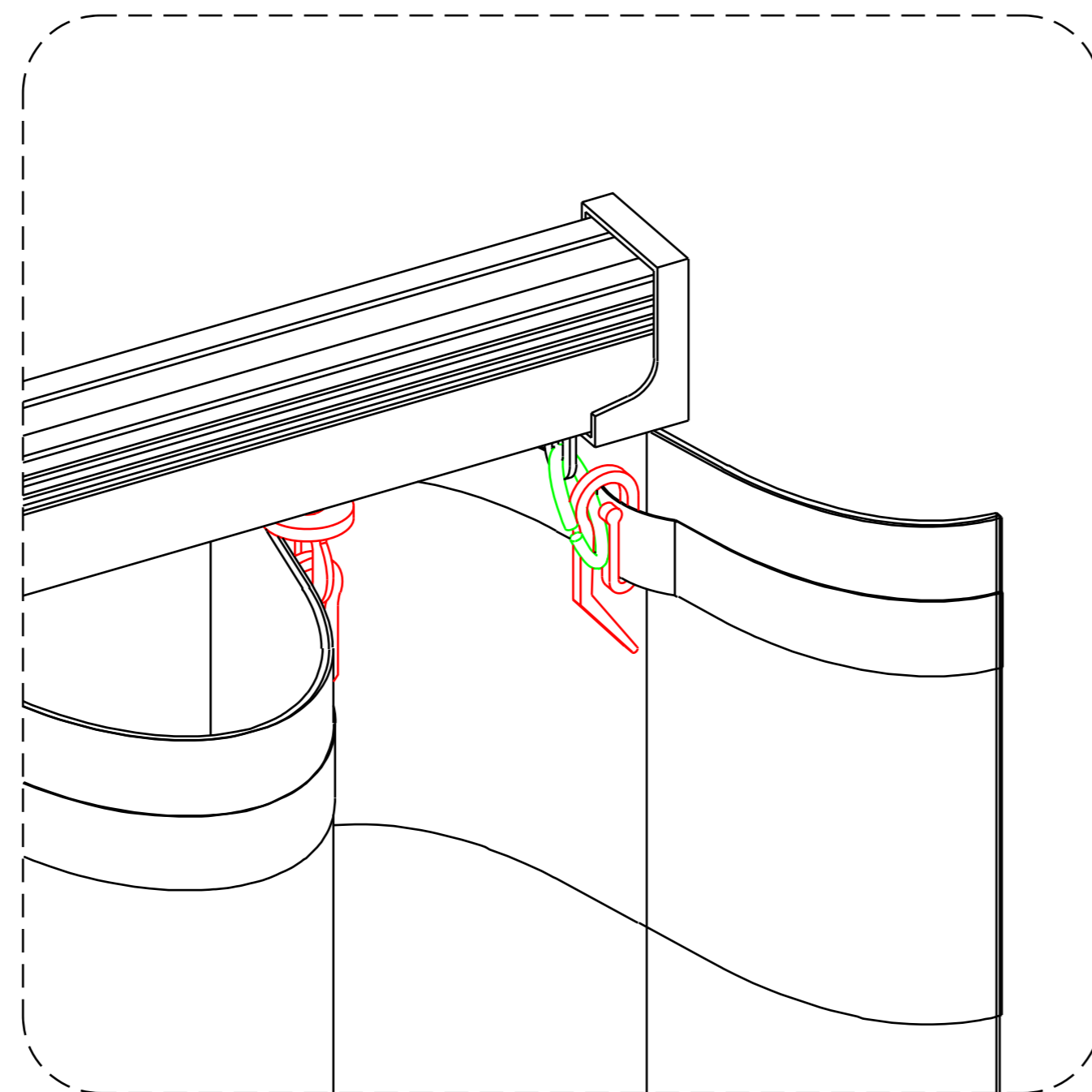


## Step G:

Hang the curtain by securing each hook to the corresponding carrier, starting from one end and proceeding sequentially to the other, ensuring consistent spacing and proper alignment throughout.



Affix the curtain to the end cap at either termination point of the track

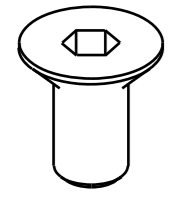


# Installation Steps

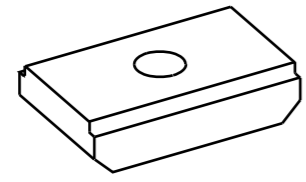
## Accessories

### Parts Included

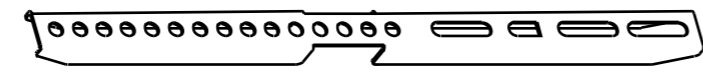
#### Universal TV Mount



M6 x 12mm  
CSK Allen Screw  
(2 Nos)

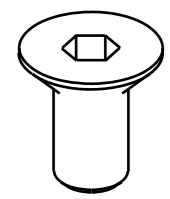


T-nut (M5)  
(2 Nos)

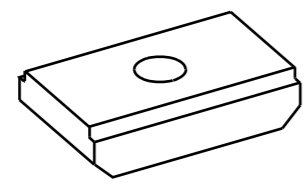


Mounting Channel  
(2 nos)

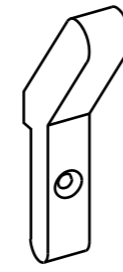
#### Hanger Hook



M6 x 23mm  
CSK Allen Screw  
(1 Nos)

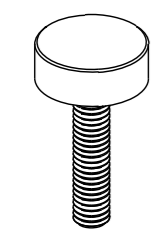


T-nut (M5)  
(1 Nos)

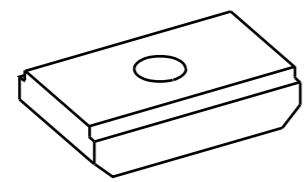


Hanger Hook  
(1 nos)

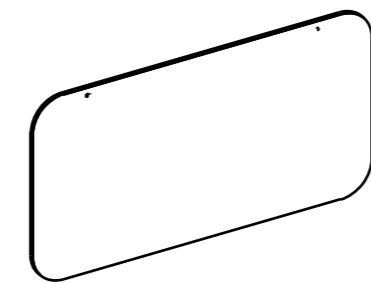
#### White Board



M5 Stud  
(2 Nos)



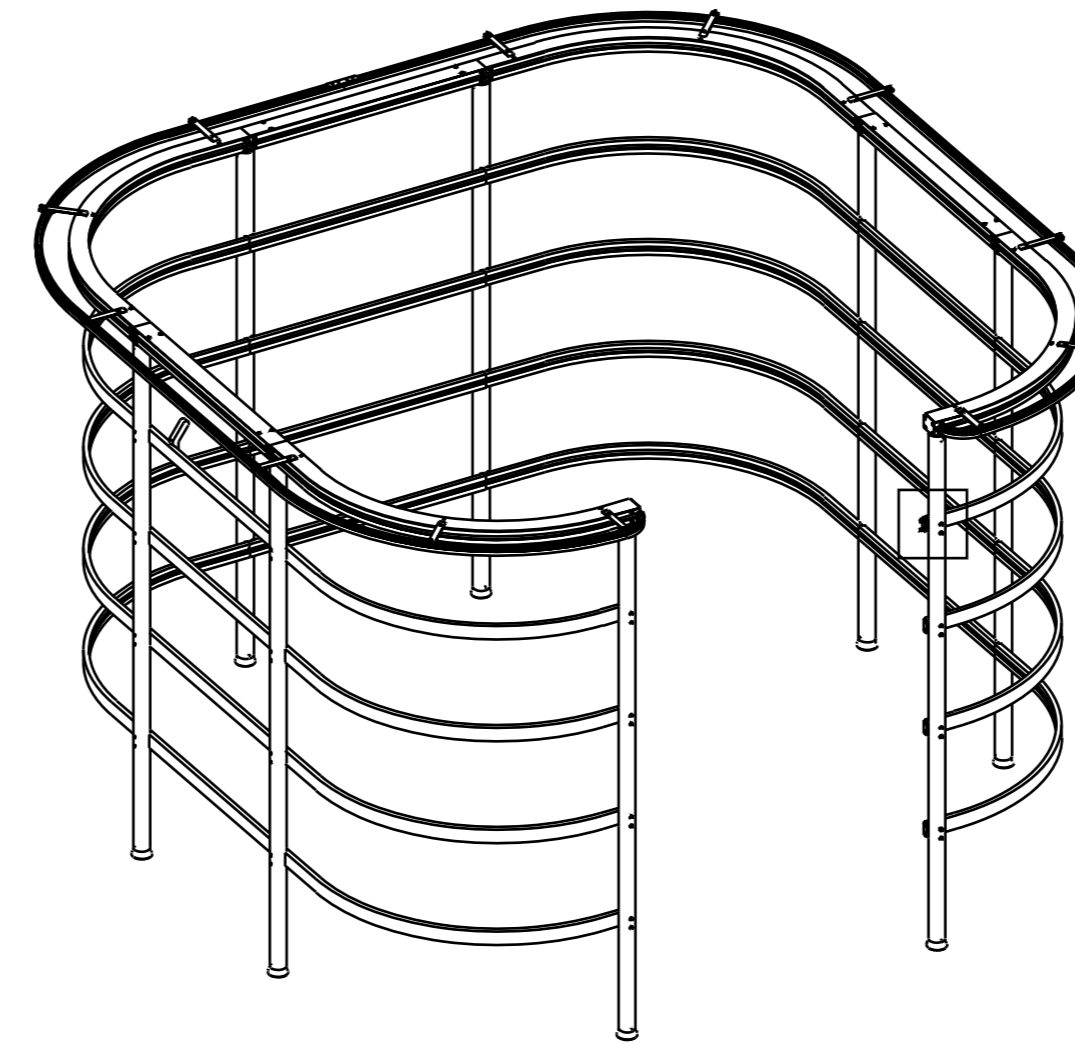
T-nut (M4)  
(2 Nos)



White Board  
(1 nos)

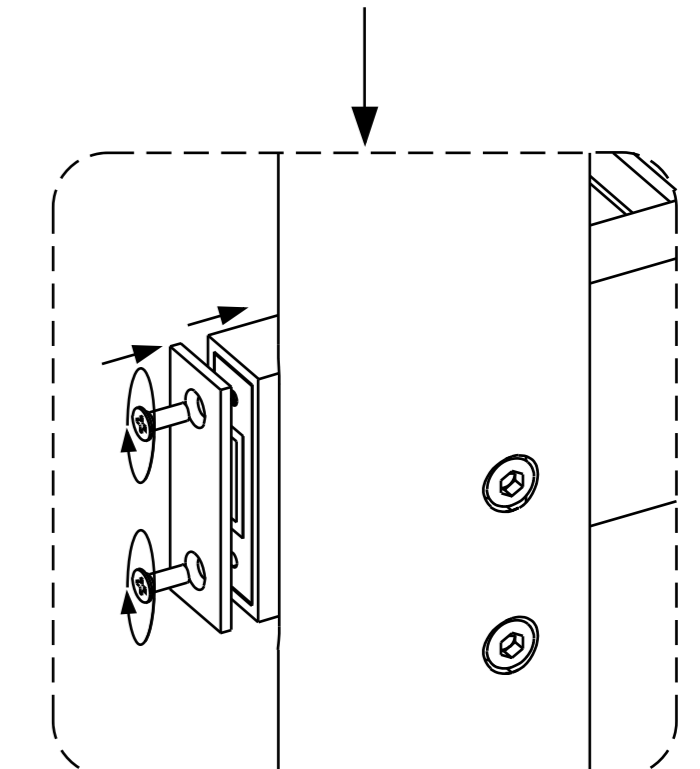
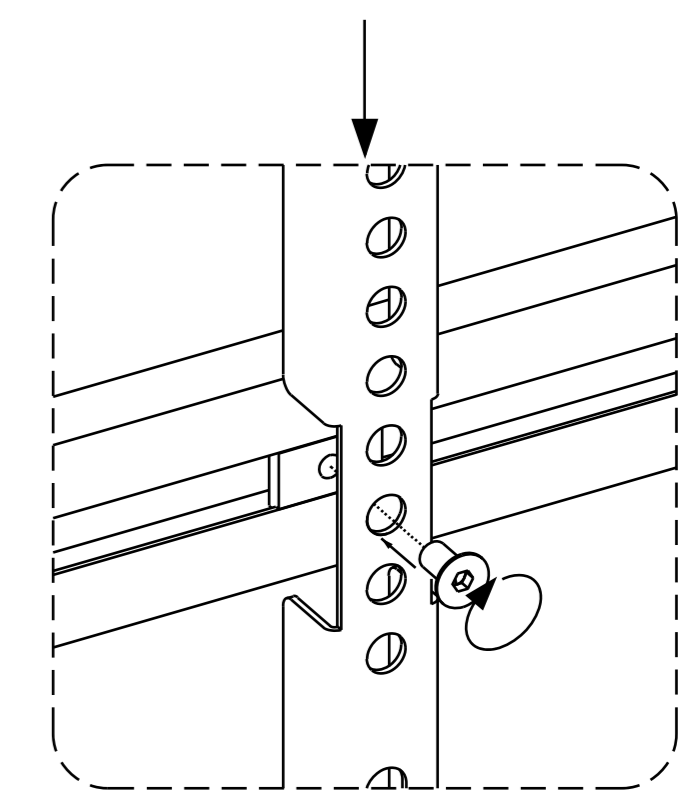
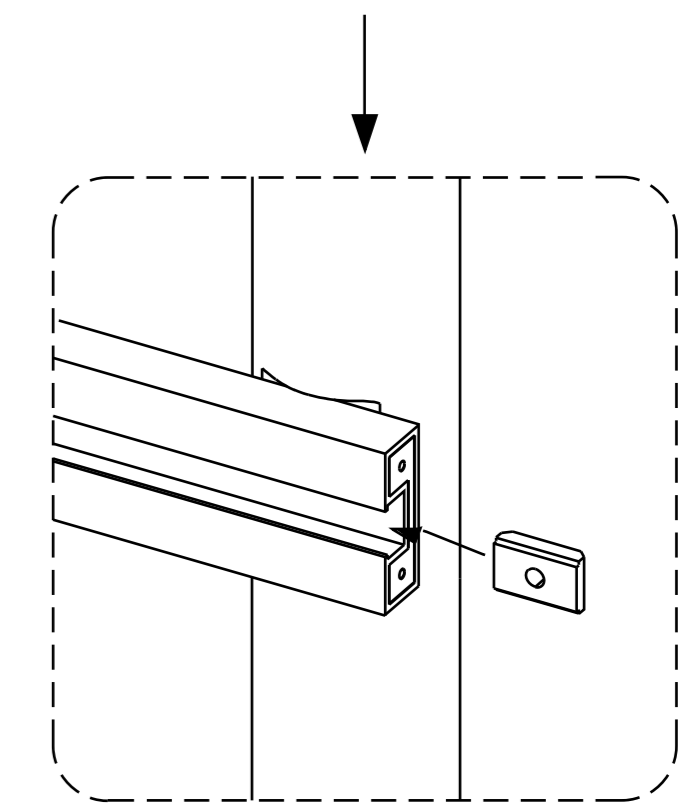
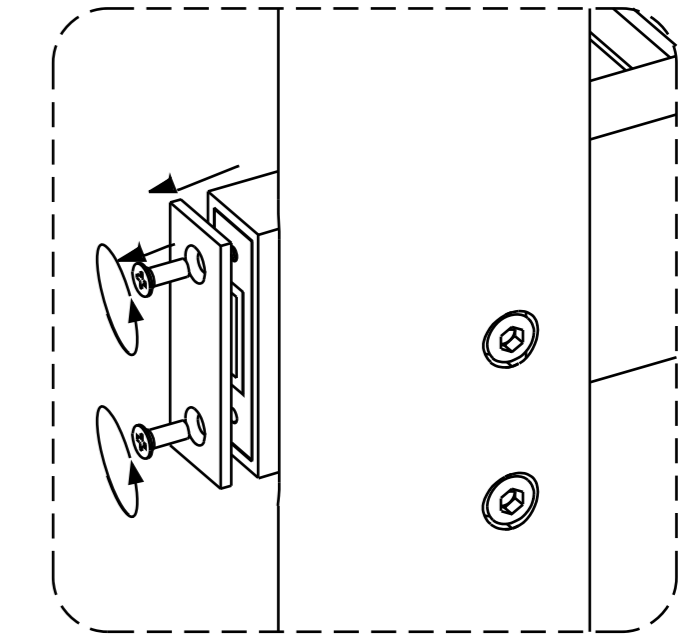
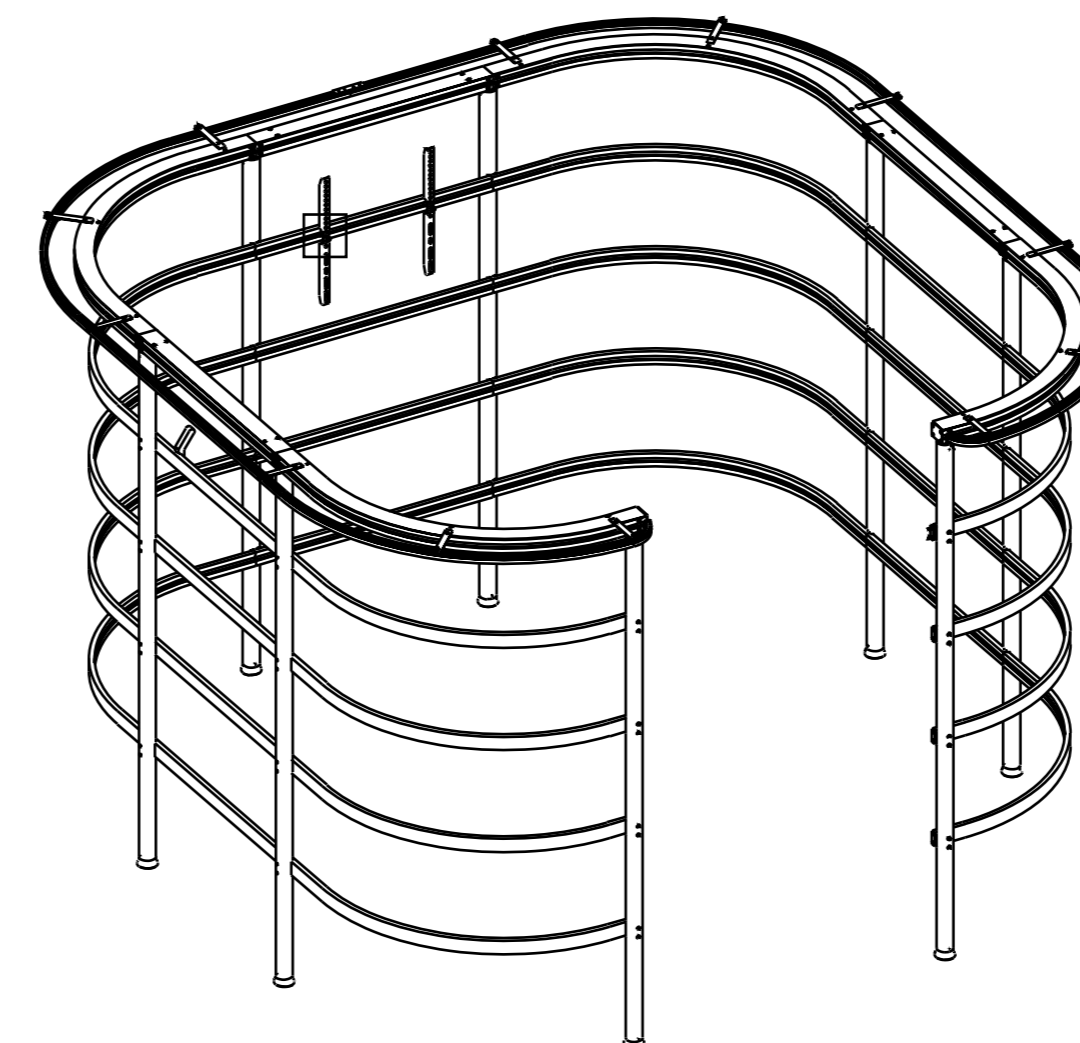
## Universal TV Mount

Remove the screw from the component, then insert the M5 T-nut (2 nos) into the mounting slot and again secure the removed screw as shown in enlarged view.



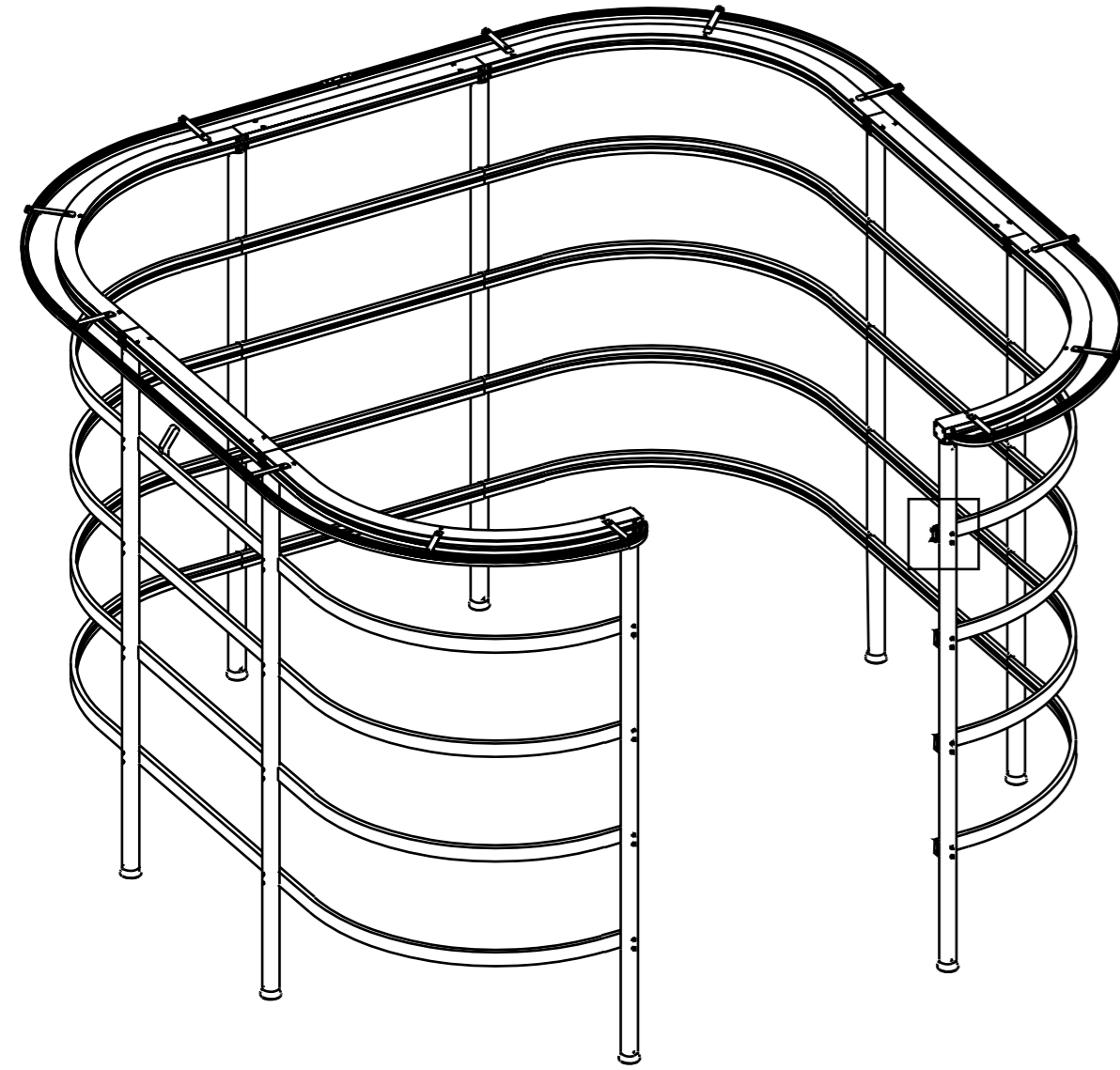
Align the universal tv mount channel and tighten it using M6 x 12mm CSK Allen screw.

As per TV, maintain c/c distance between to channel for mounting.

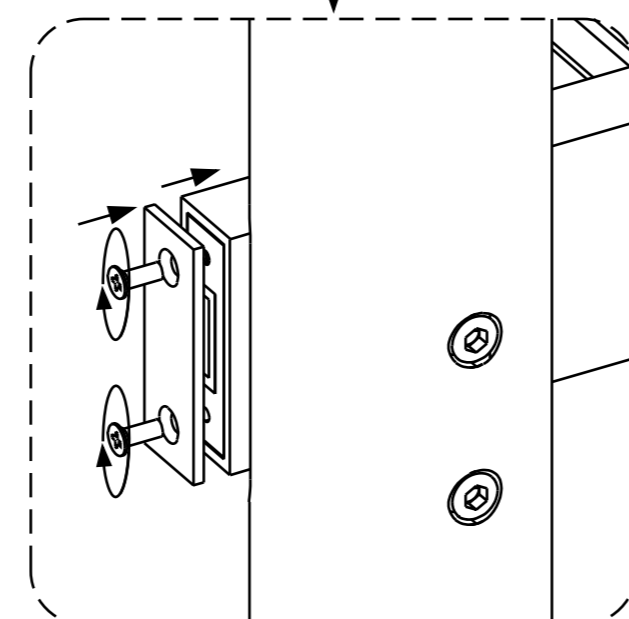
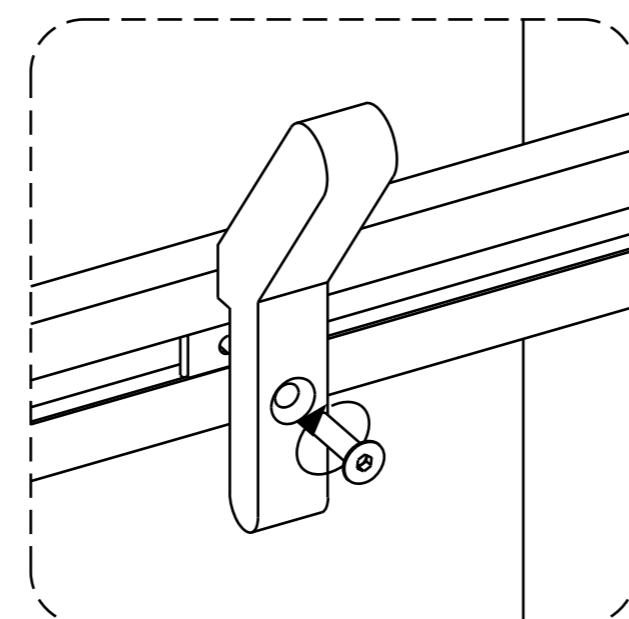
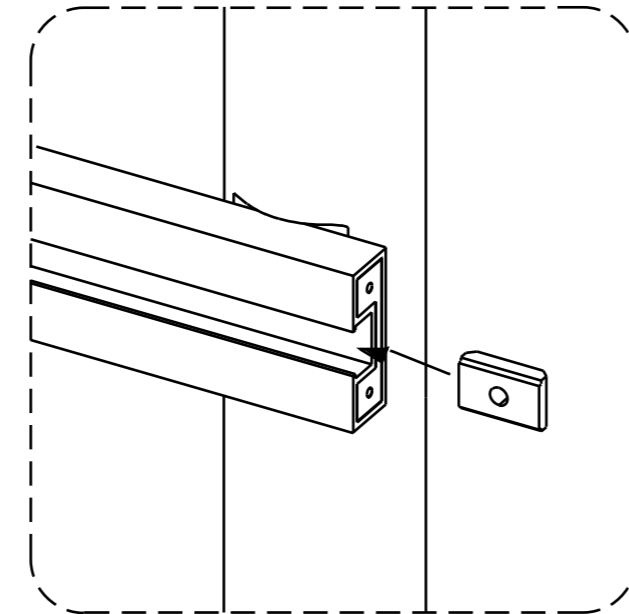
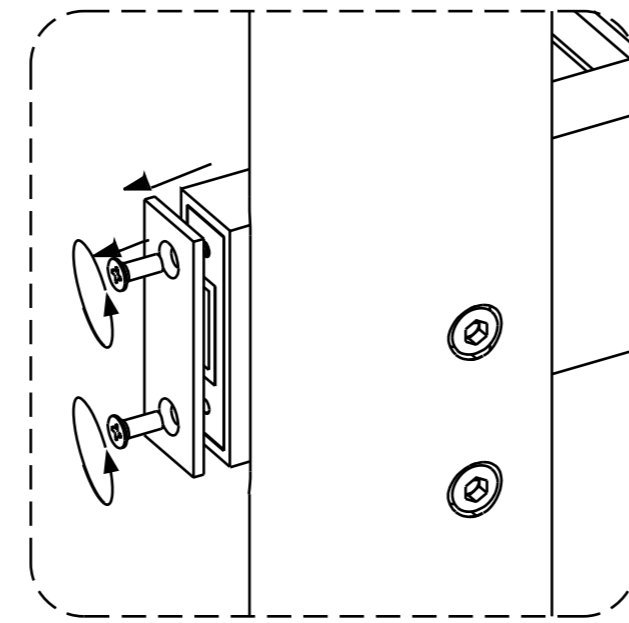
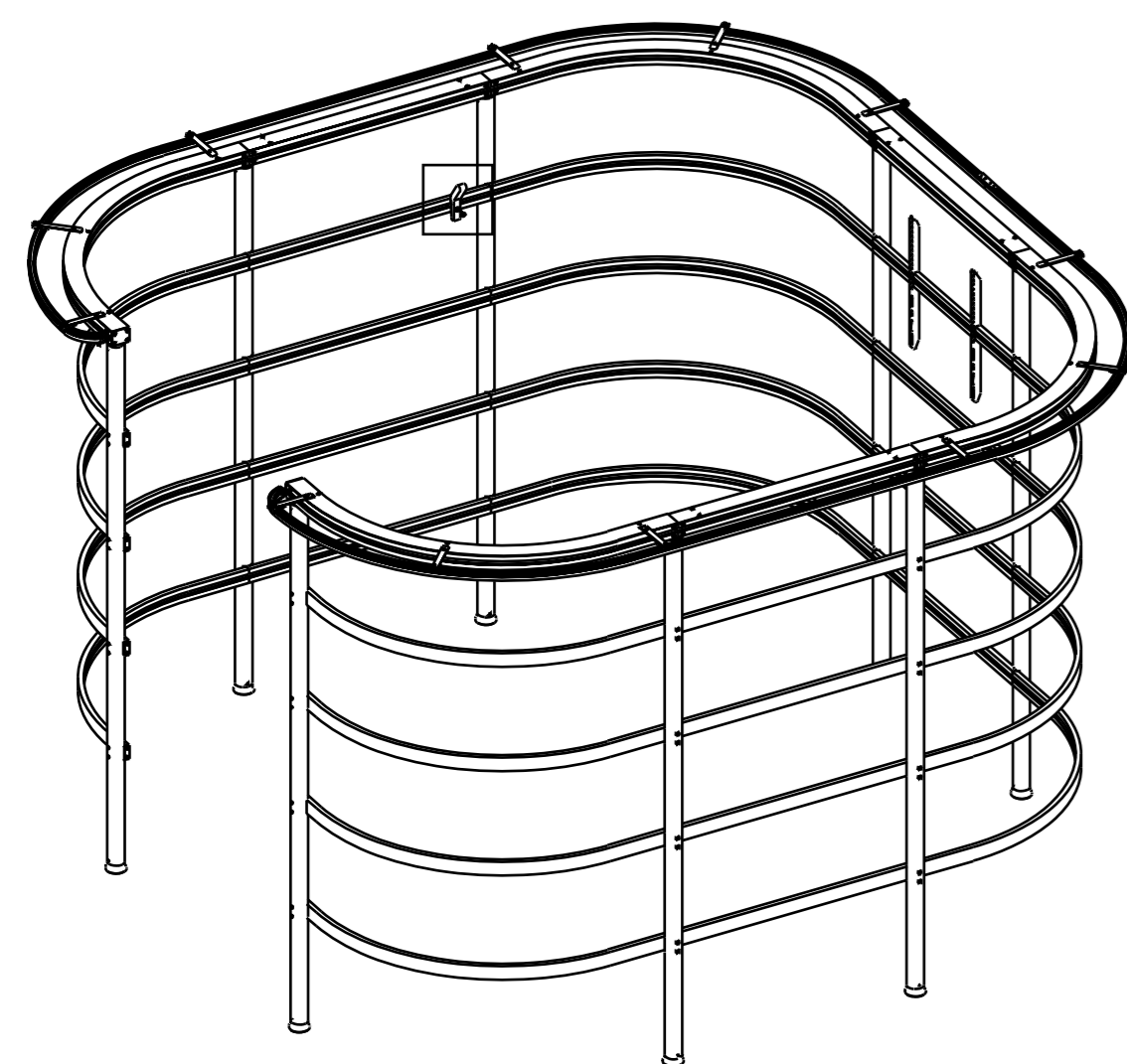


## Hanger Hook

Remove the screw from the component, then insert the M5 T-nut (1 nos) into the mounting slot and again secure the removed screw as shown in enlarged view.

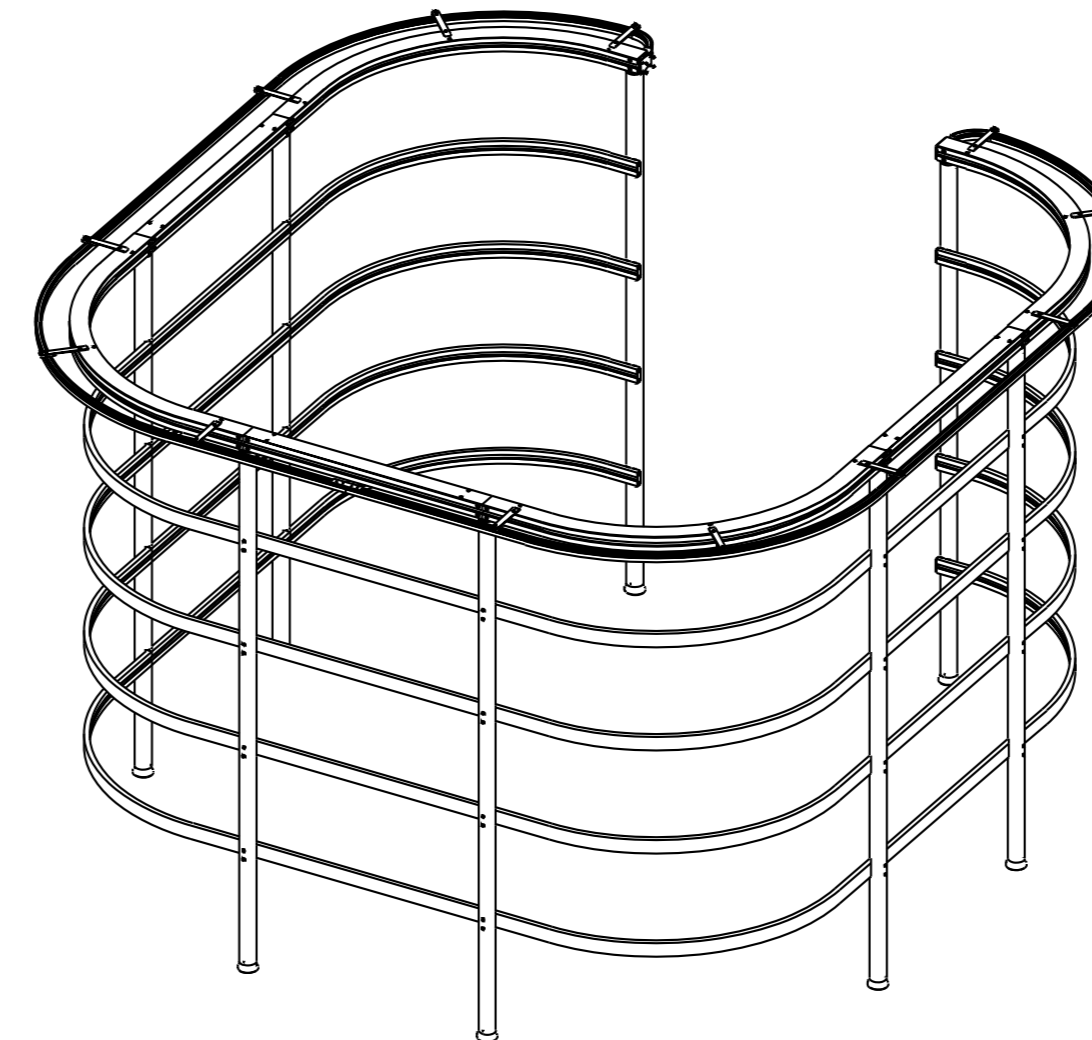


Align the hook and tighten it using M6 x 23mm CSK Allen screw.

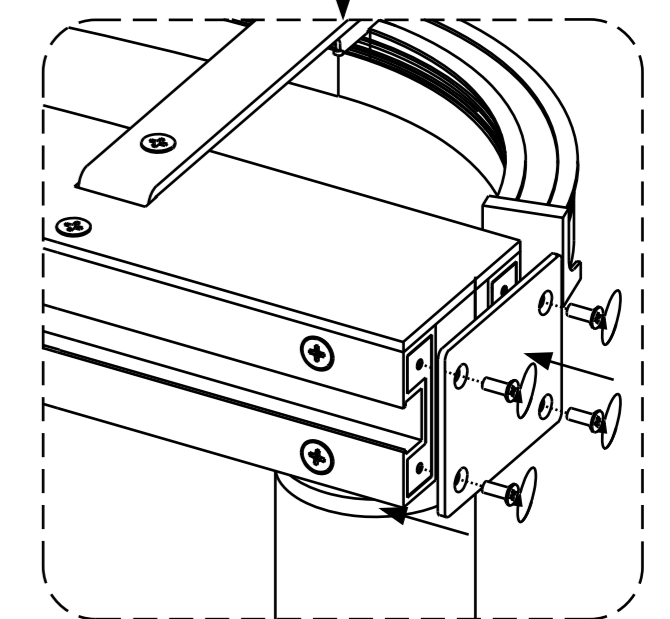
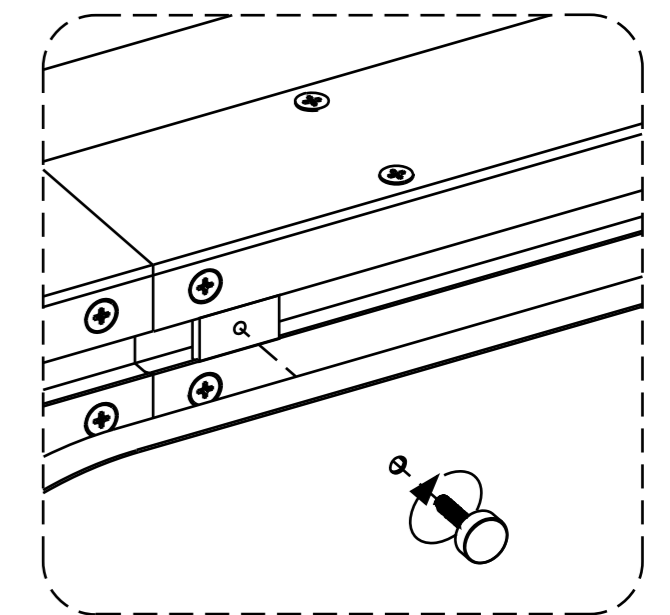
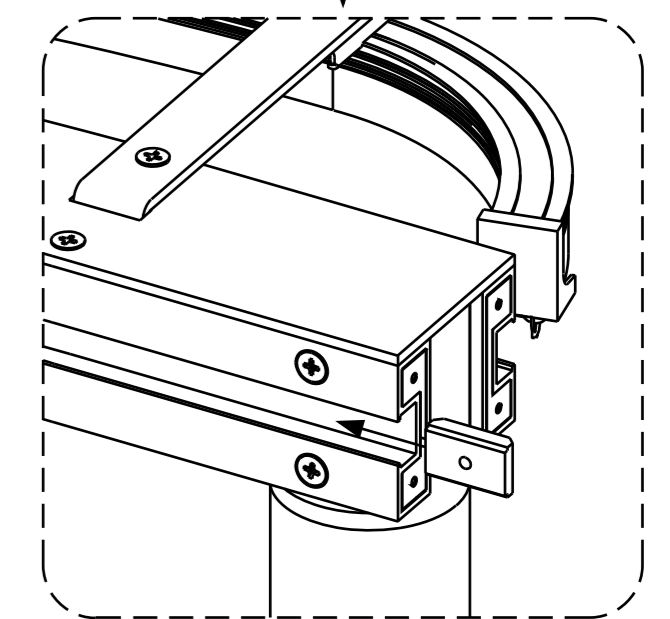
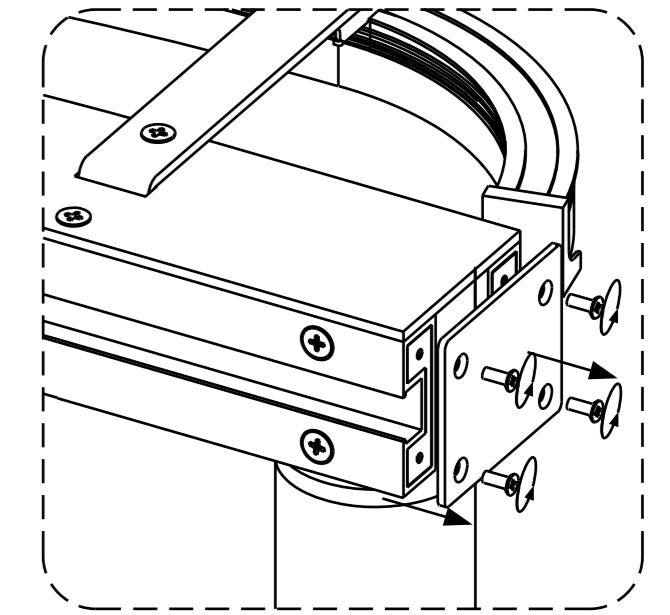
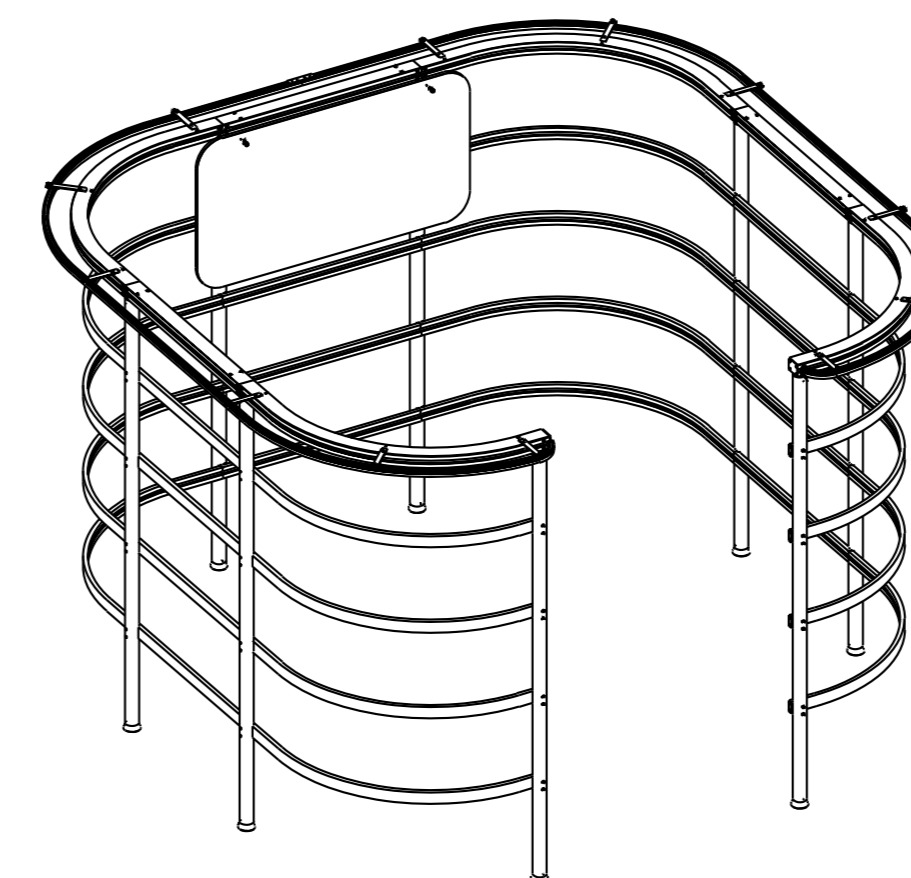


## White Board

Remove the screw from the component, then insert the M4 T-nut (2 nos) into the mounting slot and again secure the removed screw as shown in enlarged view.



Align the white board and tighten it using M5 Stud.



## Table and Stool

### Parts Included

#### Table

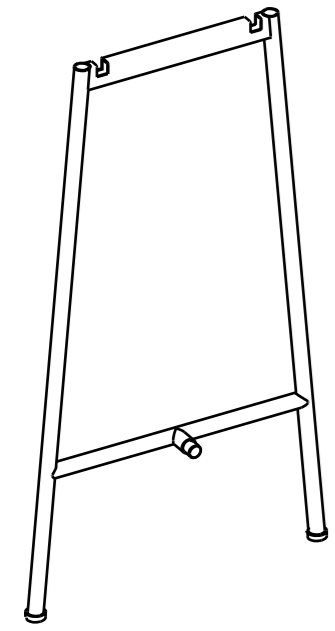
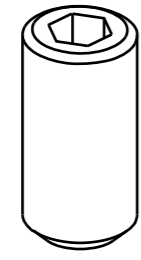
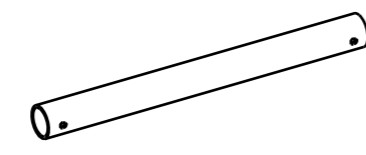


Table Leg Frame  
(2 Nos)



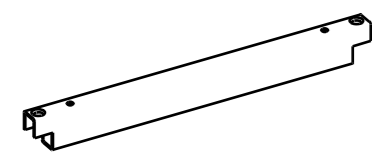
M5 x 10mm  
Grub Screw  
(2 nos)



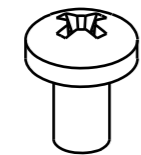
Ø25.5mm Pipe  
(1 nos)



M6 x 40mm  
CSK Screw  
(4 nos)



40 x 20mm  
Pipe (2nos)



M6 x 15mm  
Pan Head Screw  
(4 nos)

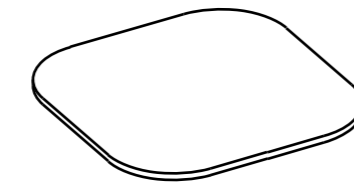
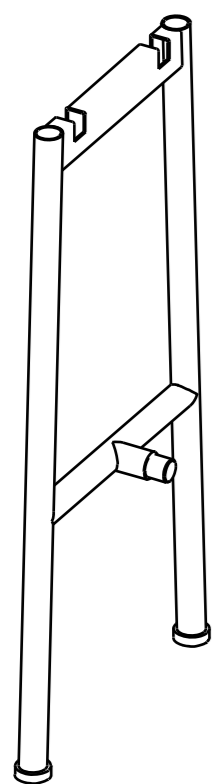
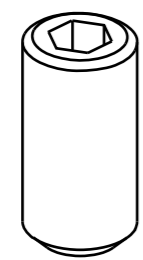


Table Top

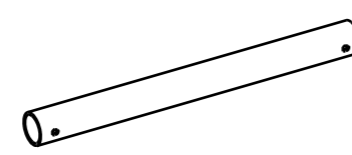
#### Stool



Stool Leg Frame  
(2 Nos)



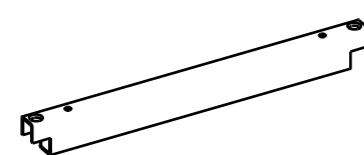
M5 x 10mm  
Grub Screw  
(2 nos)



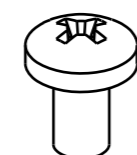
Ø25.5mm Pipe  
(1 nos)



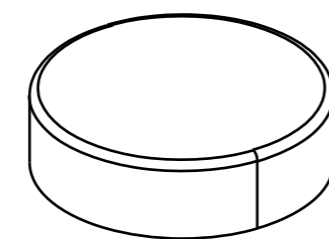
M6 x 40mm  
CSK Screw  
(4 nos)



40 x 20mm  
Pipe (2nos)



M6 x 15mm  
Pan Head Screw  
(4 nos)

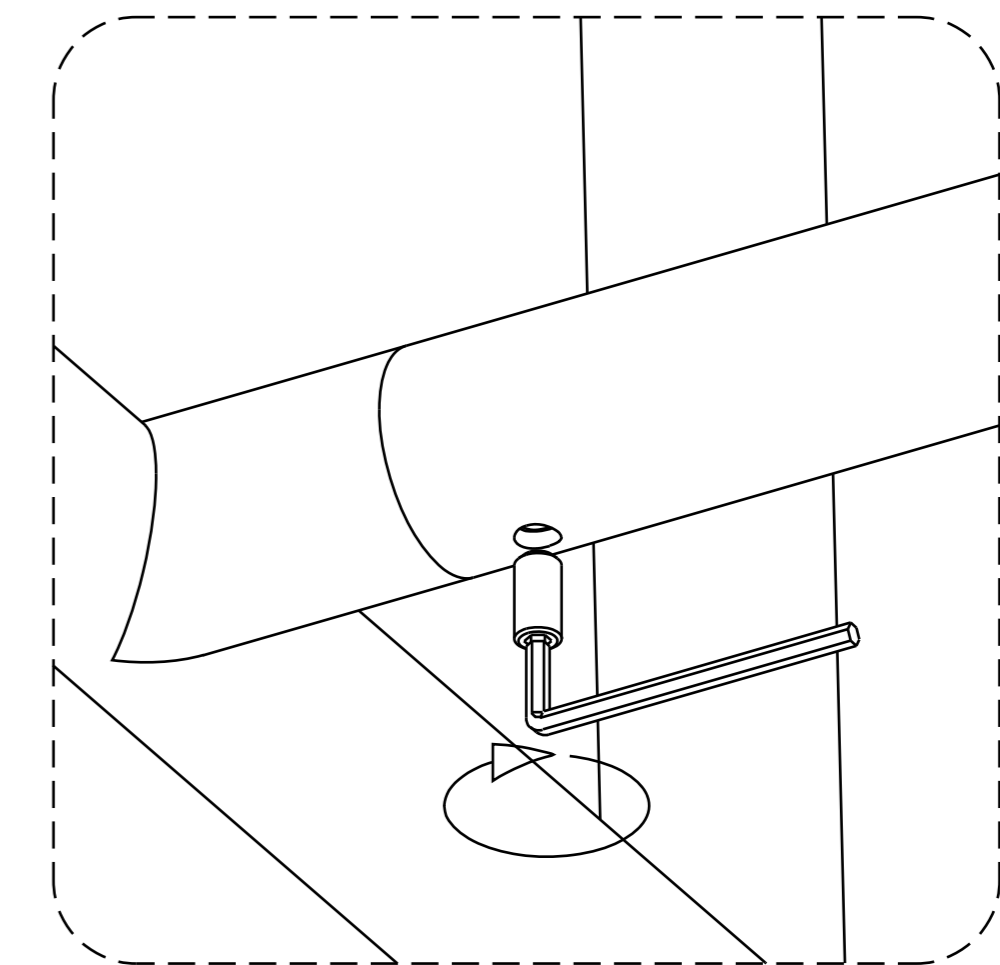
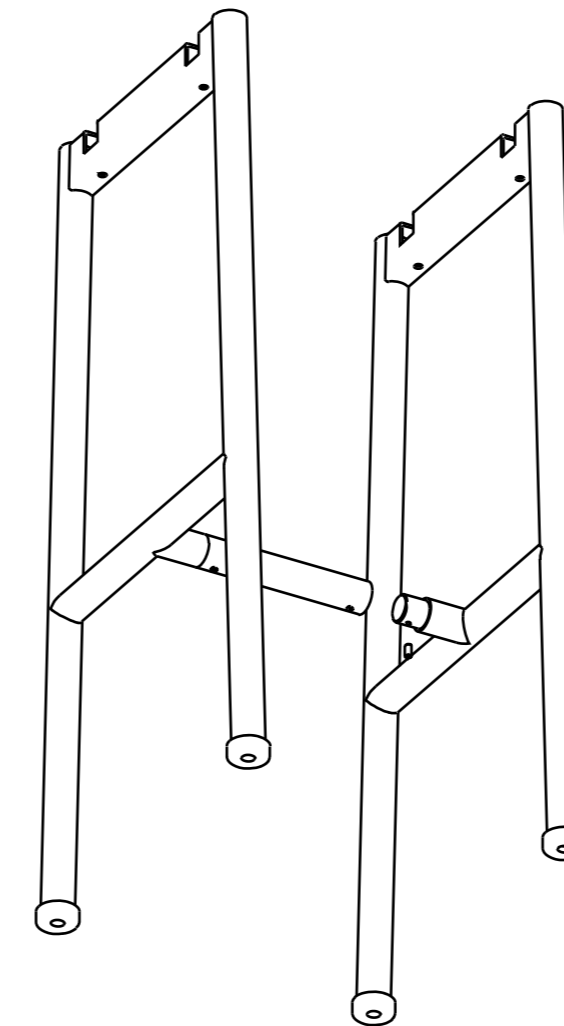
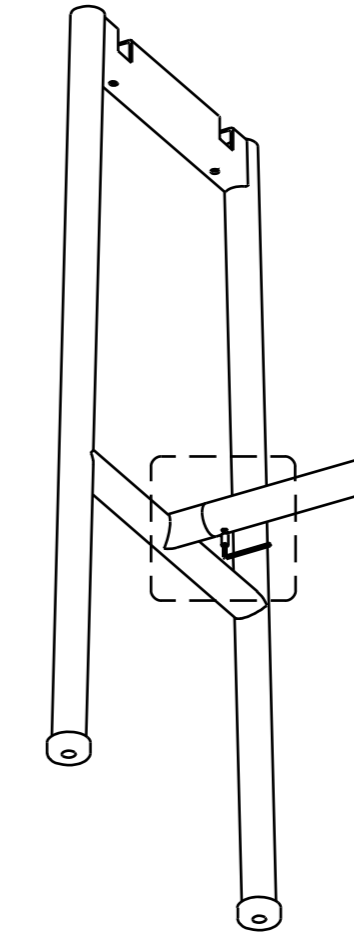
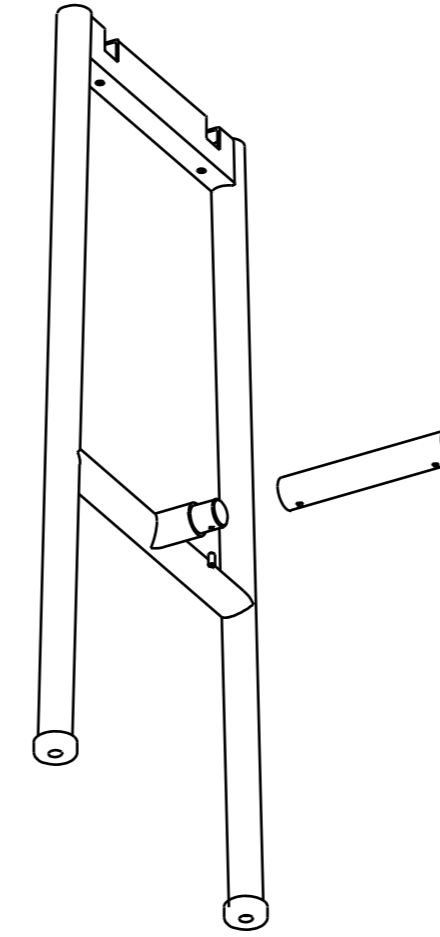


Stool Seat

## Stool

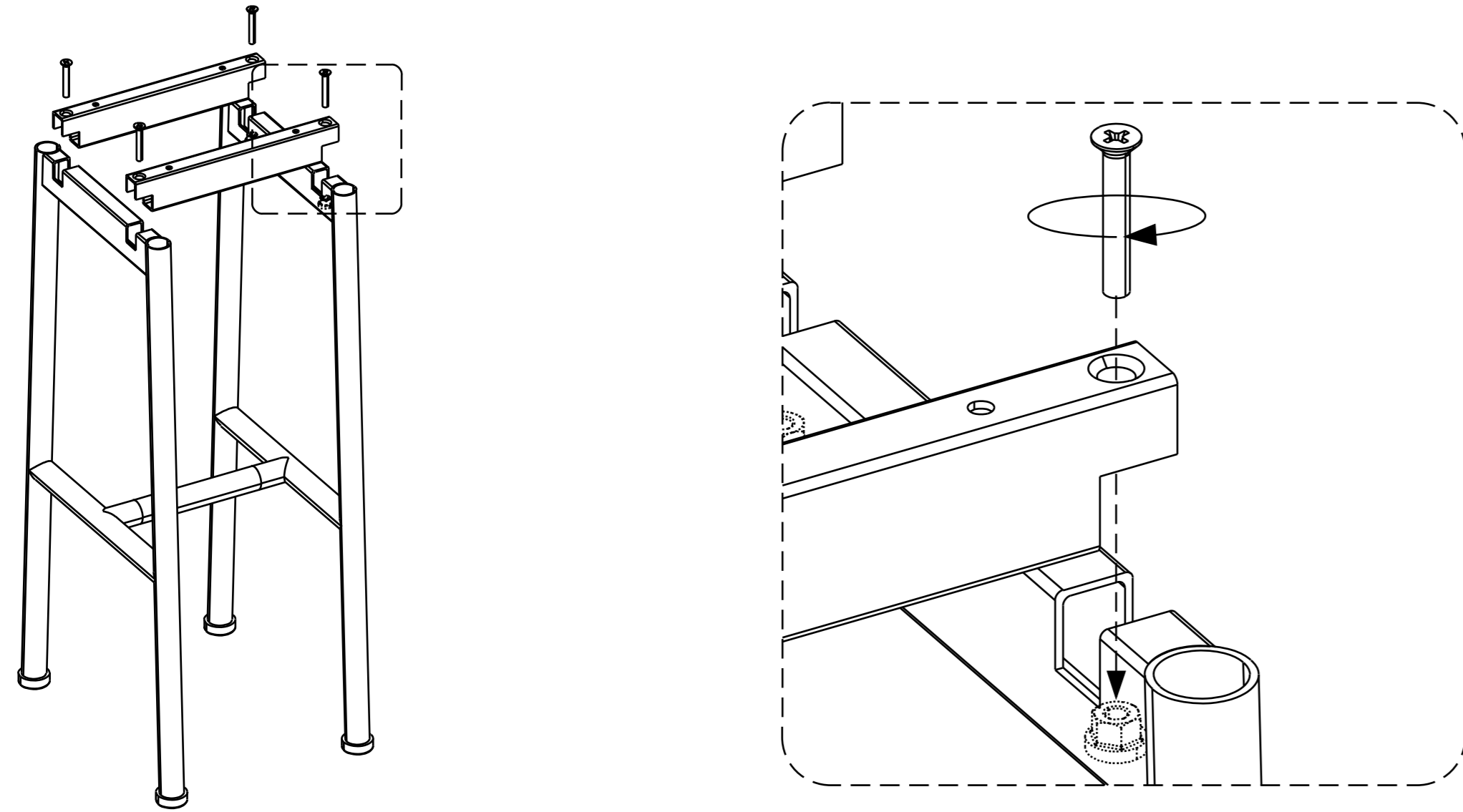
### Step A:

Secure the Stool base to the round pipe by tightening the M5 × 10 mm grub screw as shown in the enlarged view.

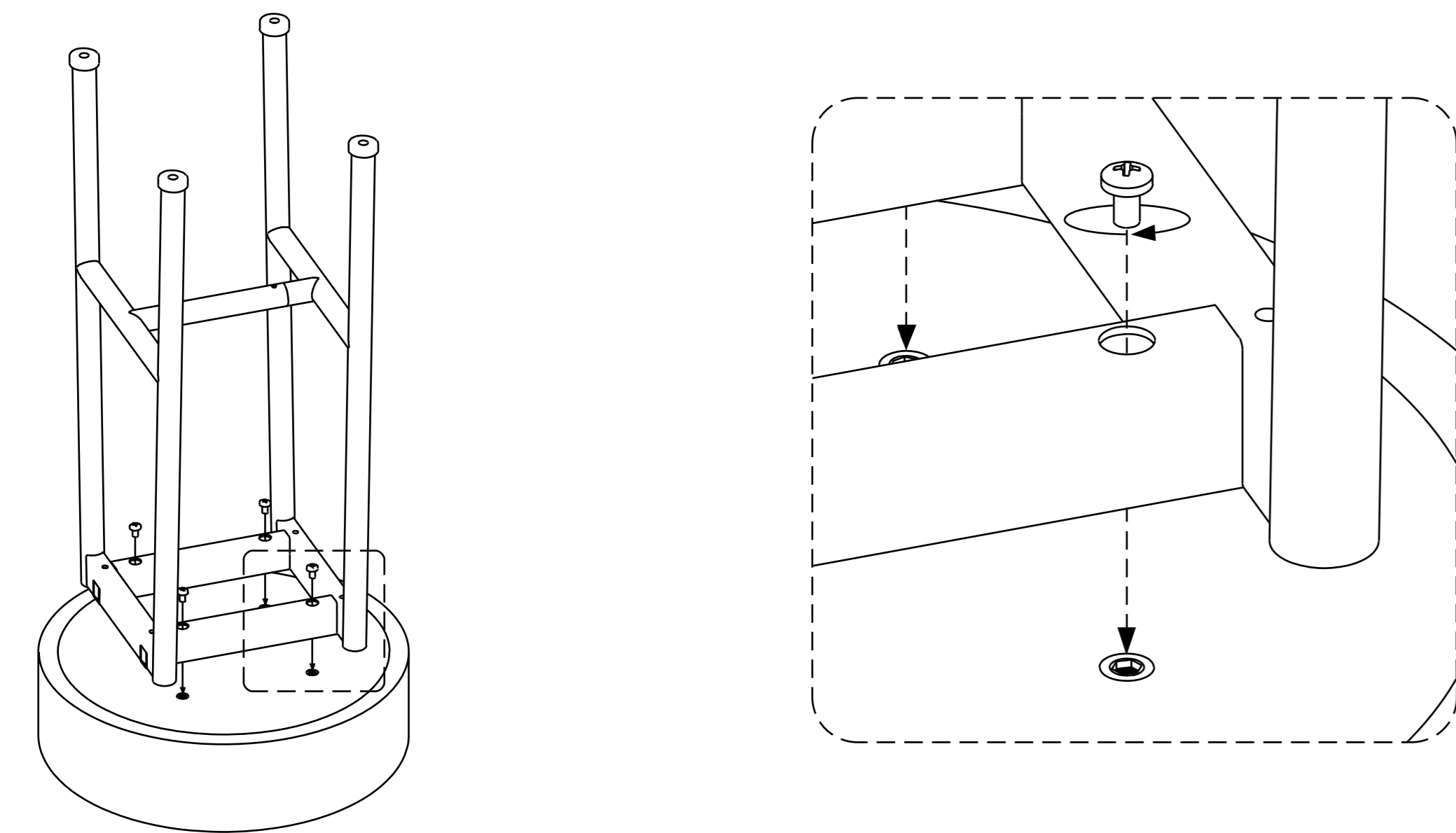


### Step B:

Secure the Rectangular Pipe to the Stool frame by tightening the M6 x 40mm screw as shown in enlarged view.



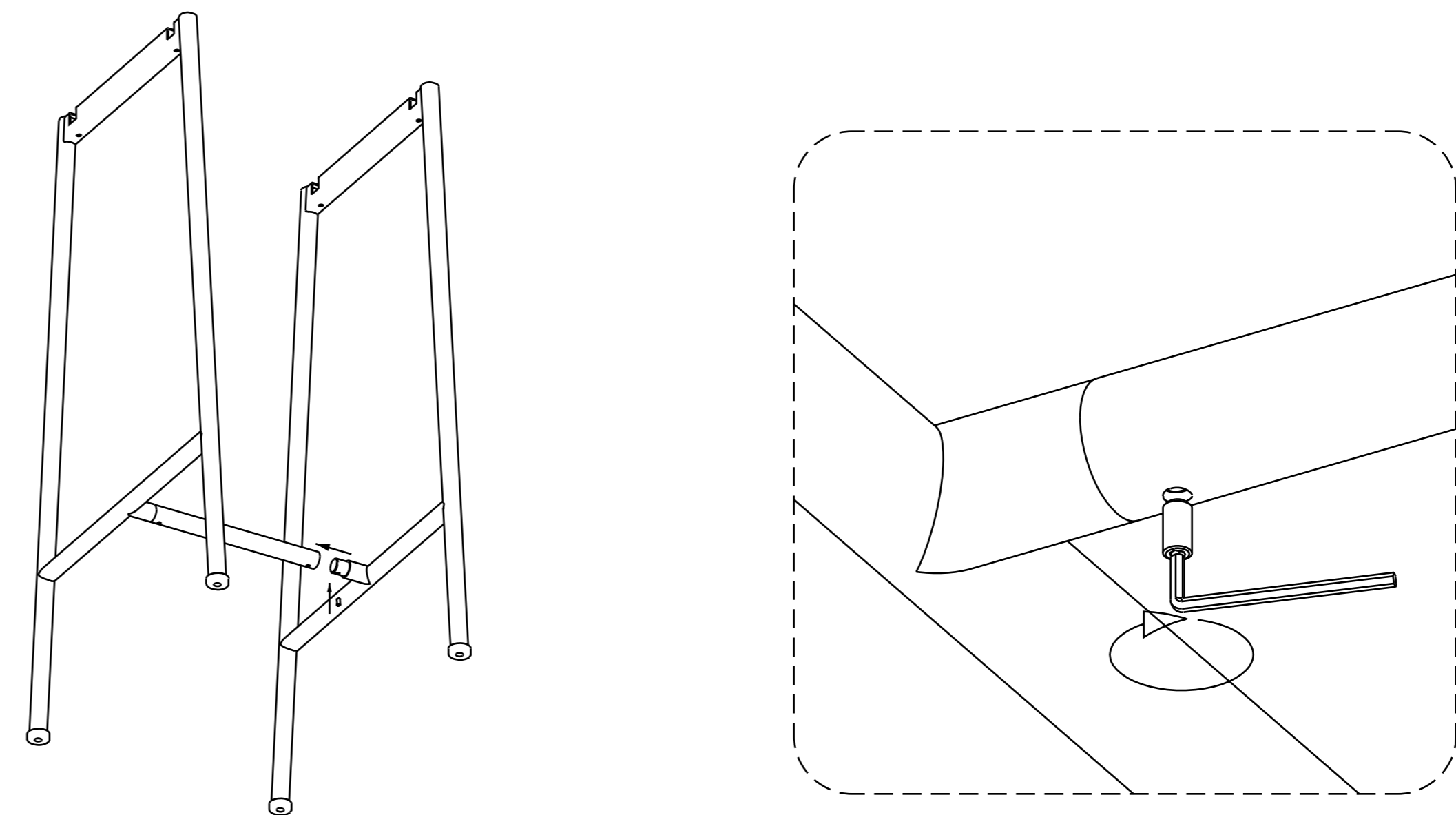
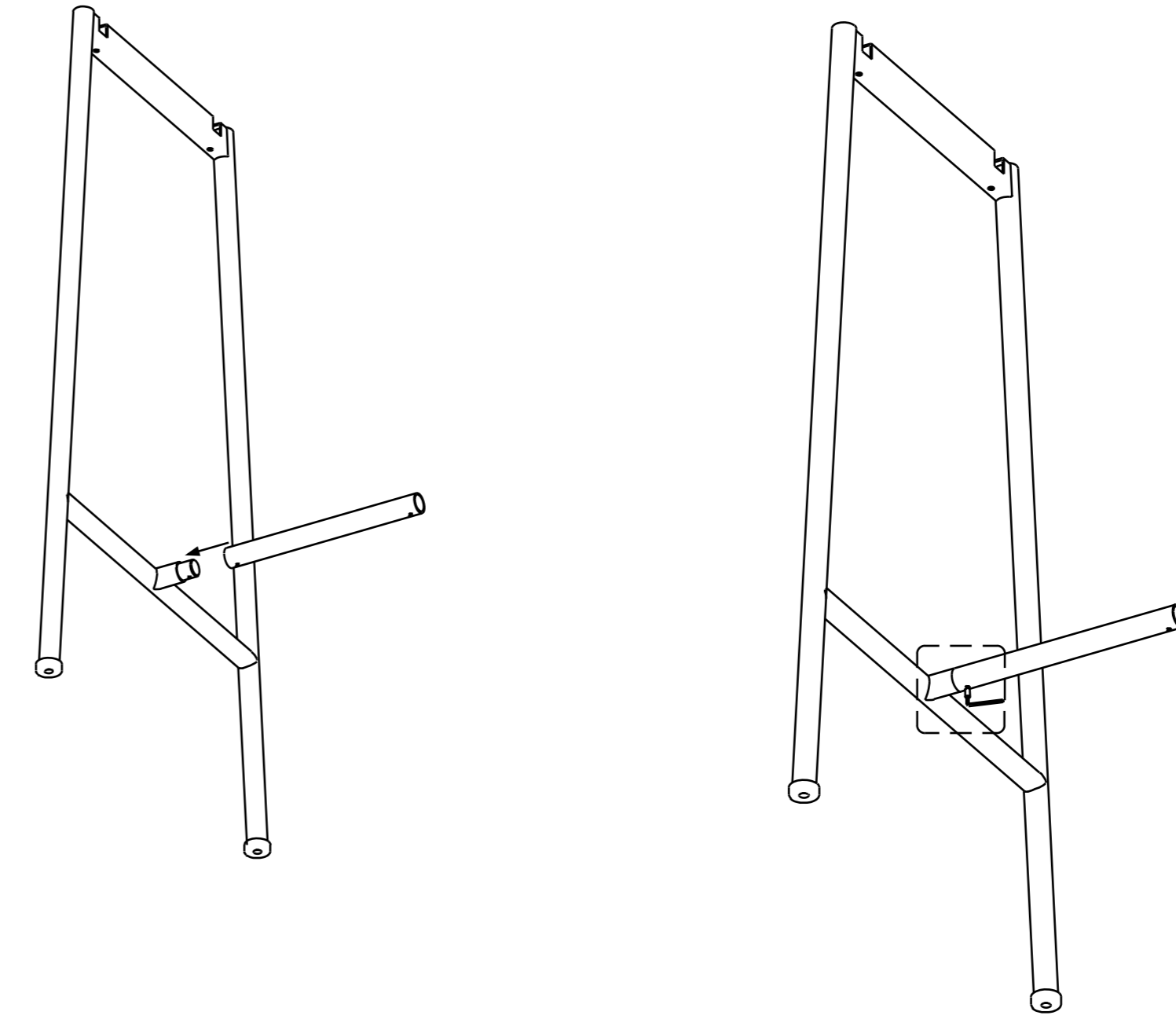
Align holes and secure the stool base with M6 x 15 mm screws as shown in enlarged view.



### Table

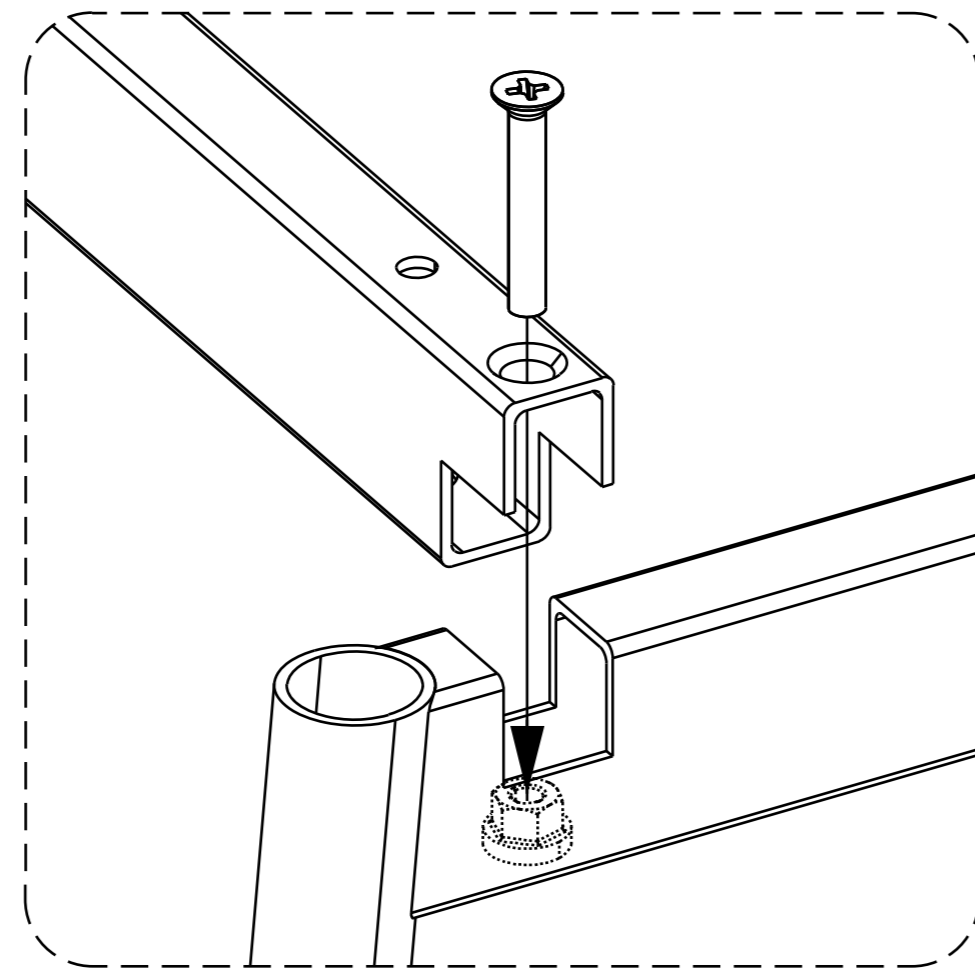
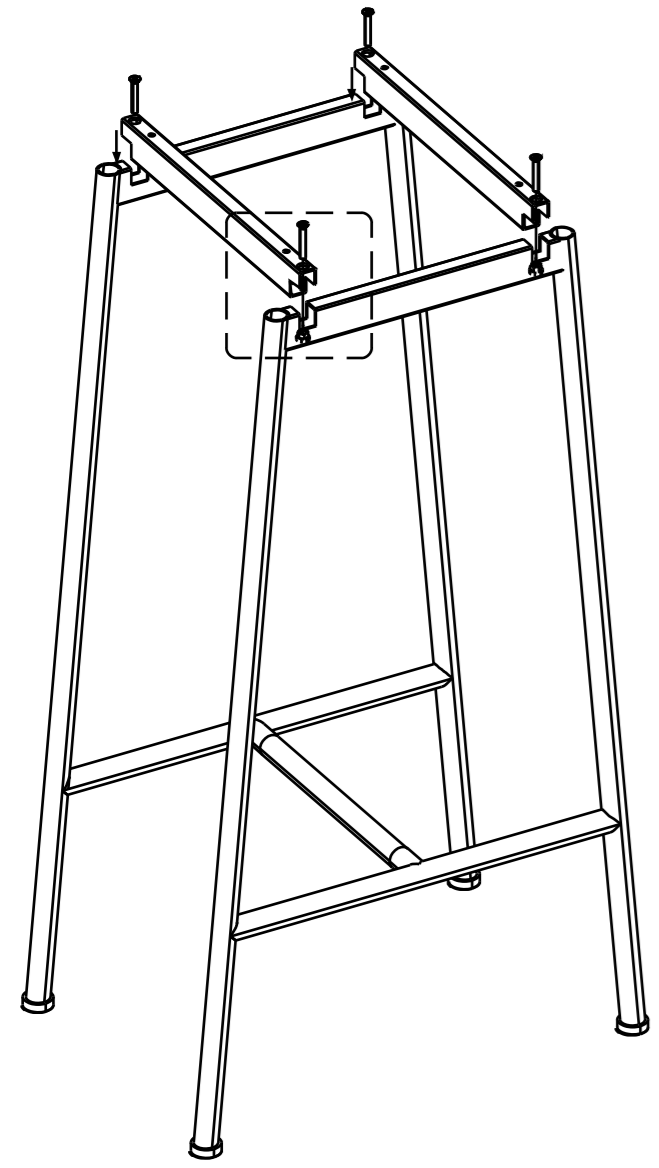
### Step A:

Secure the table base to the round pipe by tightening the M5 x 10 mm grub screw as shown in the enlarged view.

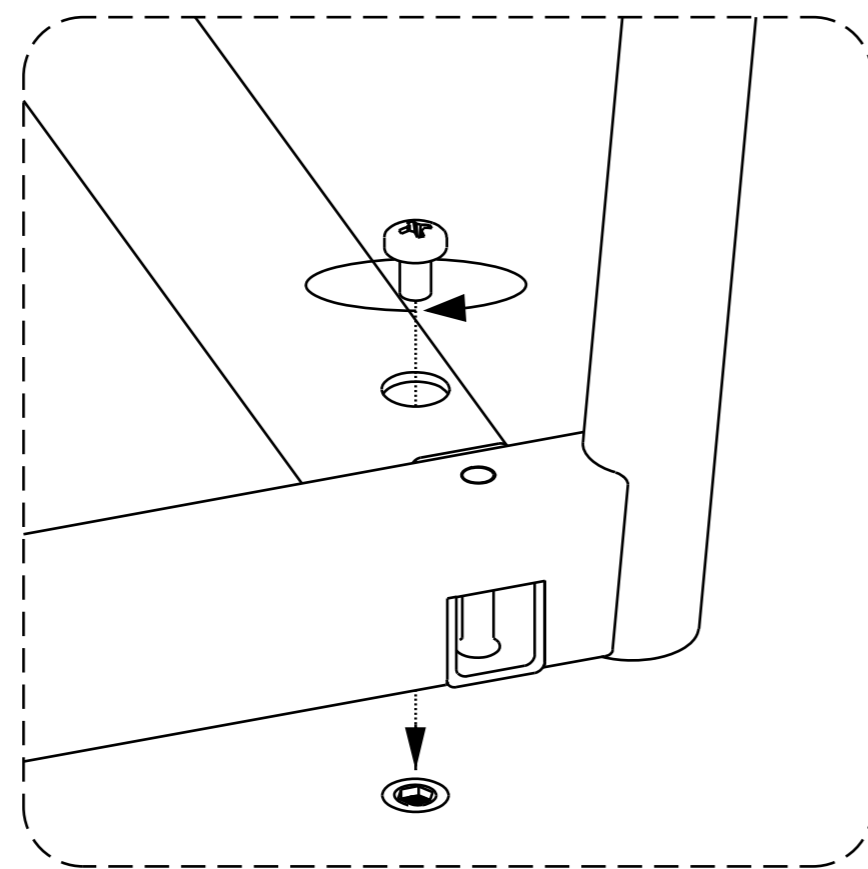
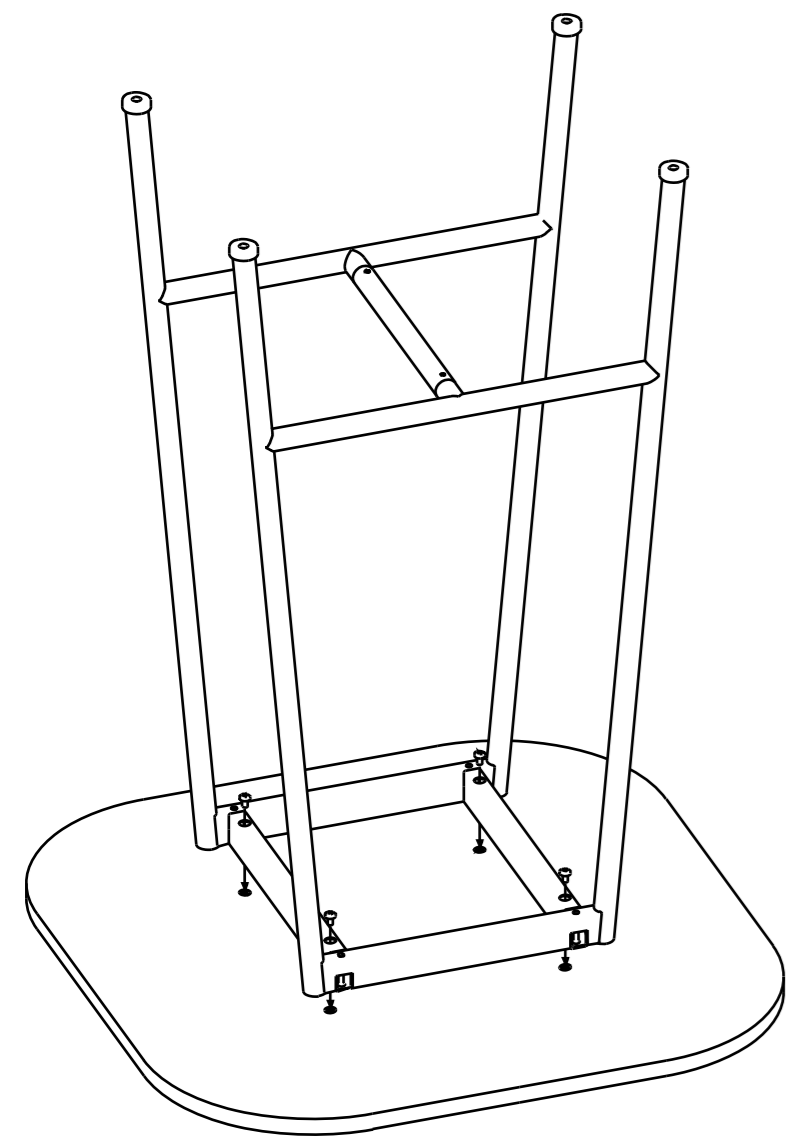


**Step B:**

Secure the Rectangular Pipe to the table frame by tightening the M6 x 40mm screw as shown in enlarged view.



Align holes and secure the base with M6 x 15 mm screws as shown in enlarged view.



 [info@sensesakustik.com](mailto:info@sensesakustik.com)

 [www.sensesakustik.com](http://www.sensesakustik.com)