





## Table of content

---

<b>KOLO Acoustic Solutions</b>	<b>1</b>	<b>Built-in Charging</b>	<b>6</b>
<b>Solo Single Pod</b>	<b>1</b>	<b>Sustainable Interior</b>	<b>6</b>
<b>Midi Studio Pod</b>	<b>2</b>	<b>Hygiene Ready</b>	<b>7</b>
<b>Duo Meeting Pod</b>	<b>2</b>	<b>Move with Ease</b>	<b>7</b>
<b>Duo DDA / ADA</b>	<b>4</b>	<b>Dimensions</b>	<b>9</b>
<b>Acoustic Solution</b>	<b>4</b>	<b>Add-ons</b>	<b>13</b>
<b>Personalised Lighting</b>	<b>5</b>	<b>Maintenance &amp; Care</b>	<b>19</b>
<b>Ventilated Space</b>	<b>5</b>	<b>Placement Guide</b>	<b>21</b>



## Kolo

Acoustic solutions

---

Col.lo.quy  
[ˈkɛləkwɪ] *noun*  
a conversation

The Kolo acoustic collection, inspired by the word “Colloquy” – a dialogue, provides a level space that creates conversation and discussion. The range is designed to offer a protected environment to speak in private or to focus on work. Kolo is the solution to blocking out disturbance and to boosting productivity in any modern workspace.



## Solo

Single Pod

---

**A privacy on-demand personal space designed for quick confidential calls and video conferences.** The booth allows you to keep conversation private and lets your colleagues focus on work undisturbed. Kolo solo is the ideal sound management solution in an open-plan workspace.

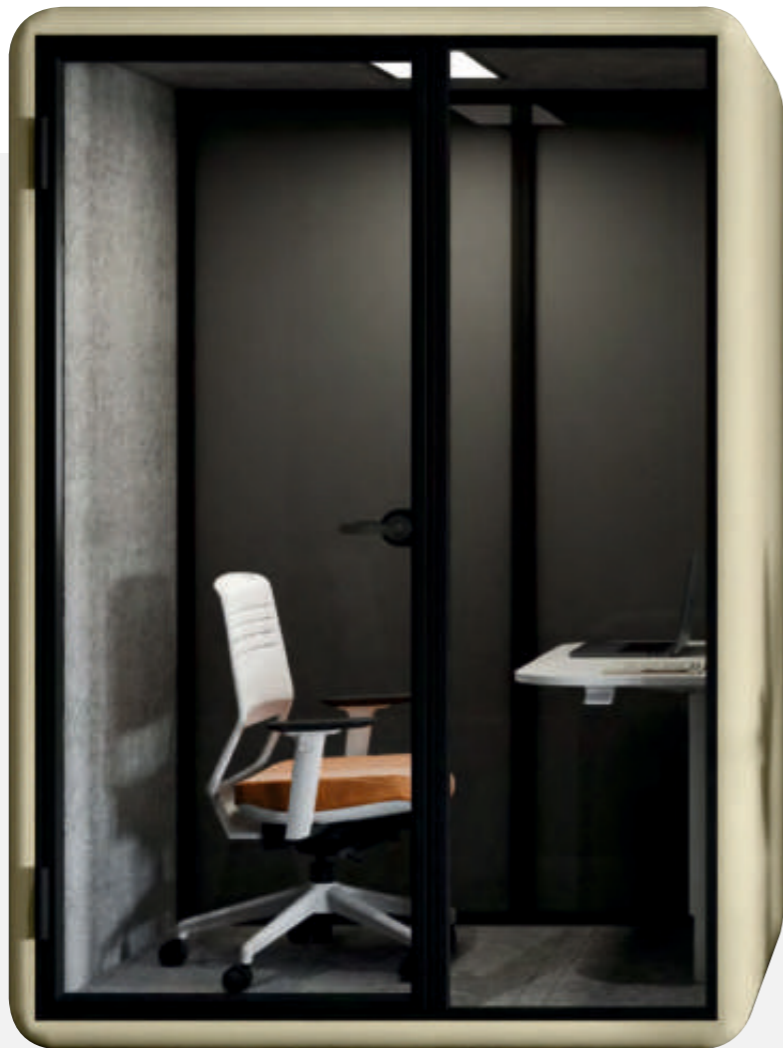


## Midi

### Studio Pod

---

**A self-contained individual studio space designed for private work in an open-plan workspace.** Kolo midi offers ample room to fit in a work desk and a chair. So, you can settle in comfortably and focus on work without outside distraction. Create your personal space at work with the Kolo Midi studio booth.



## Duo

### Meeting Pod

---

**A flexible meeting room innovated for the modern open workstyle.** Kolo Duo features a modular design that accommodates up to 4 people per unit. The configuration can be extended into Duo+ with two units and Duo++ with three units to provide a more formal meeting venue for up to 8 people. The space can be used as a meeting room, a media room, an exercise space or a resting area. Kolo Duo is adaptable to any open-plan workspace.





## Duo DDA / ADA

---

**A model of commitment to put user experience at the centre of our design process.** Koplus believes Kolo is a level space for all users; Duo DDA / ADA is the universal design that is accessible for all. The floor is lowered to 1 cm height with a ramp entrance and an auto-motorised door. The interior is equipped with a set of flip bench and desk to make the space versatile for movement.



## Acoustic Solution

---

Made with class-leading soundproofing materials and structural detailing to mitigate noise.



## Personalised Lighting

**Adjustable LED light brightness and temperature with automatic motion detector.**

The LED lights are dimmable from 1800 lumens and the colour temperature can be controlled in the range of 2700 to 6500K.



## Ventilated Space

Custom-designed airflow vents provide constant natural air circulation. The controlled airflow details of the ventilation fans in each Kolo model are in the table.

Model	Airflow (m <sup>3</sup> /h)
solo	30.8
midi	61.6
duo	61.6
duo +	123.2
duo ++	184.8
duo DDA / ADA	61.6



## Built-in Charging

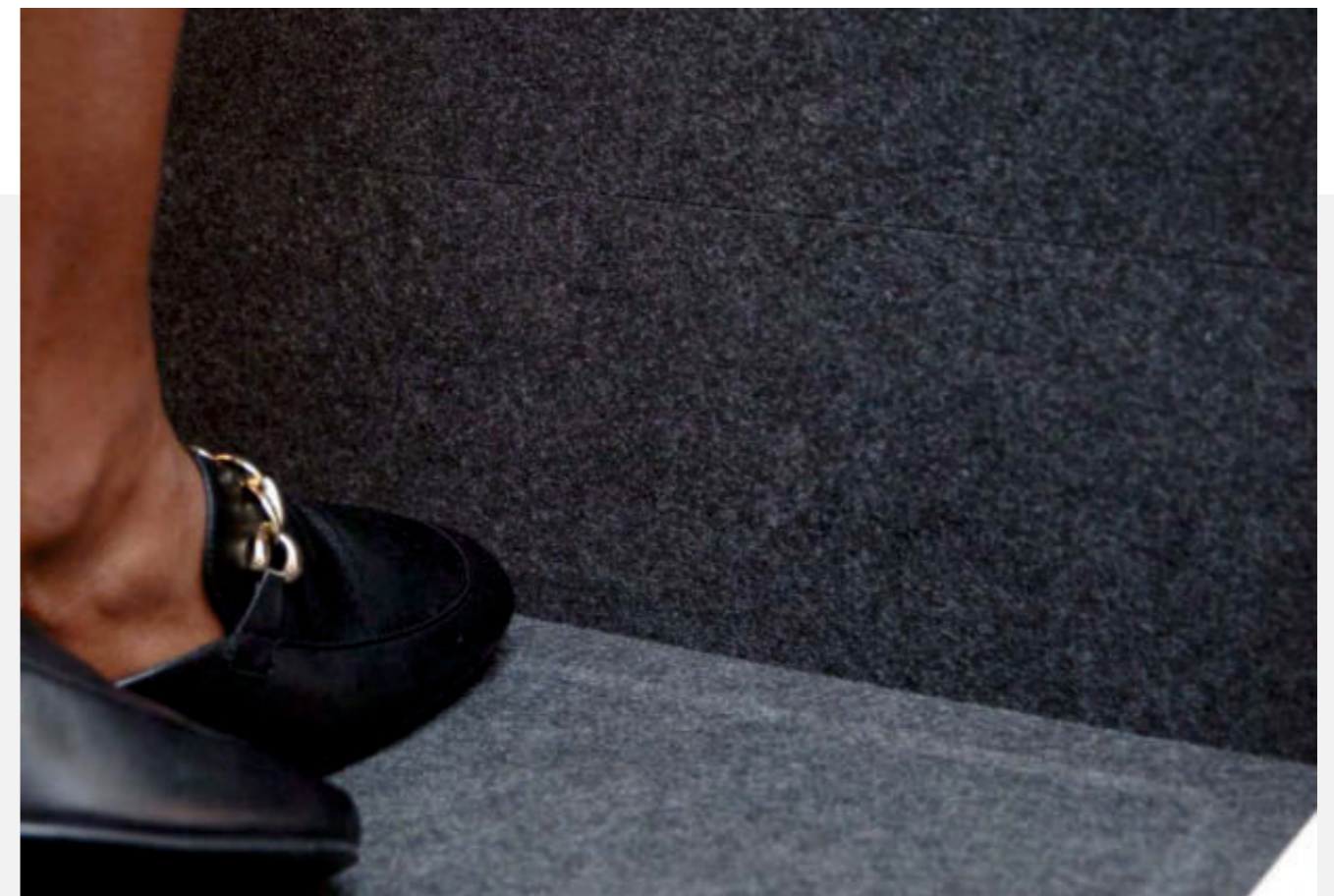
**User-friendly charging ports placed at table level for easy access.** UL and CE certified charging station with two AC outlets, two USB chargers and one CAT-6 port. Input: 110-240 VAC, 10.1 A, 50-60 Hz. Output: DC 5V, 2.1A.



## Sustainable Interior

Eco-innovative Polyester (PET) Acoustics Panels installed in all Kolo models. SCS Global Services Recycled Content Certified PET interior uses a minimum 50% post-consumer recycled polyester staple fibre content.

Model	Recycled Bottle (Qty.)
solo	341
midi	473
duo	534
duo +	1068
duo ++	1618
duo DDA / ADA	534



## Hygiene Ready

---

Custom designed UV-C light powered by Philips TUV PL-L 36W that delivers 99.9% sterilisation rate in 5 minutes. This add-on accessory can be retrofitted into all Kolo models to offer a safe and clean work environment.



## Move with Ease

---

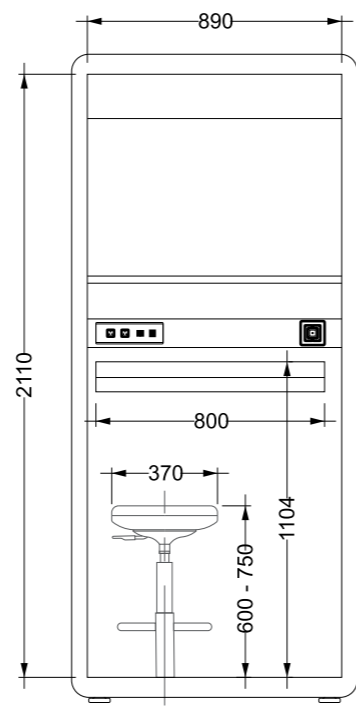
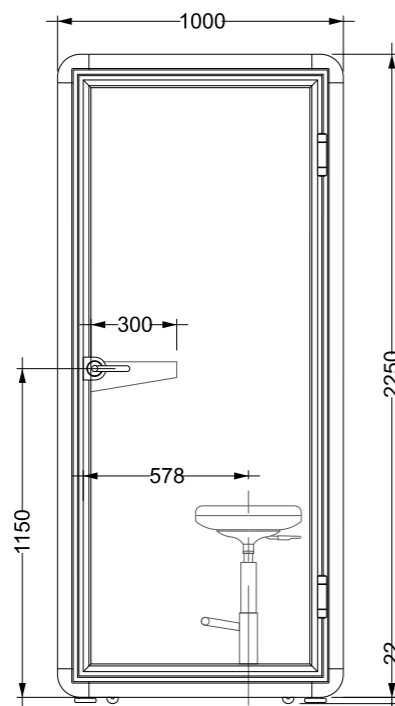
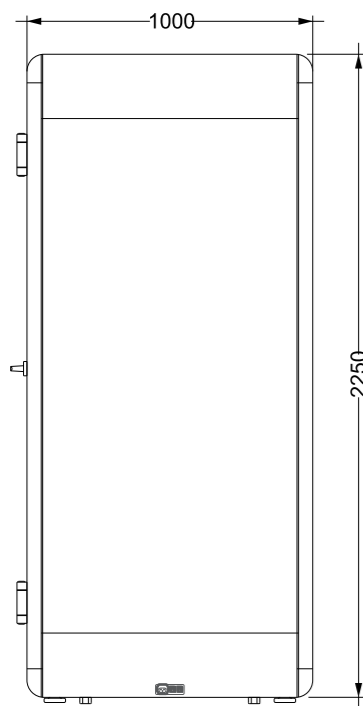
Kolo booths are equipped with levelling feet that can be lowered to access the rollers for horizontal movement. This feature provides the flexibility to move the booth easily in a workspace when needed.





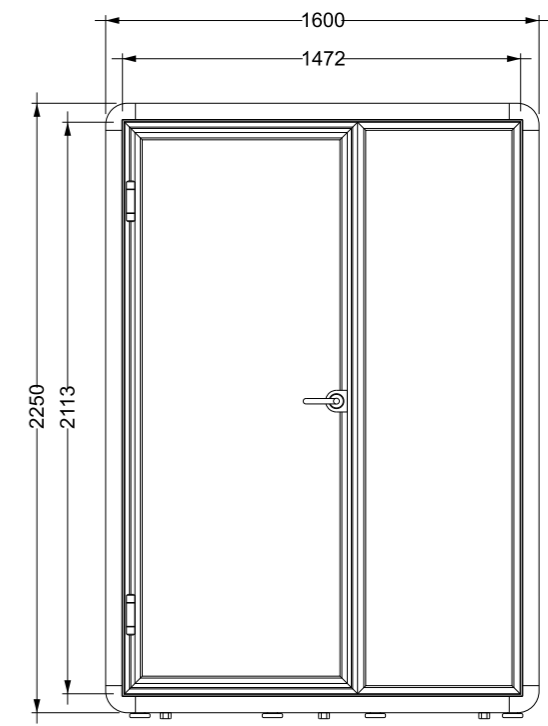
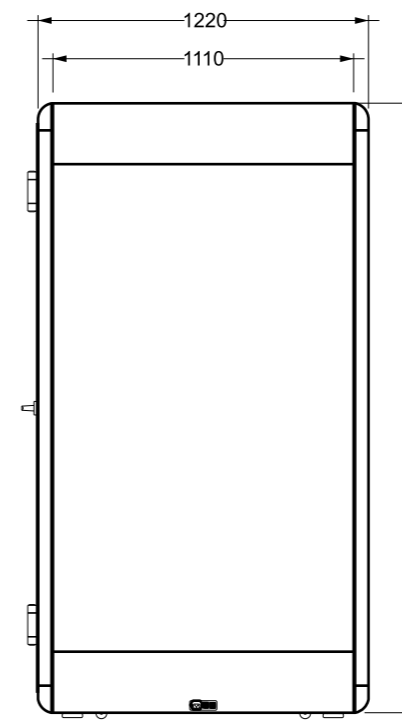
## Dimension

### Solo



## Dimension

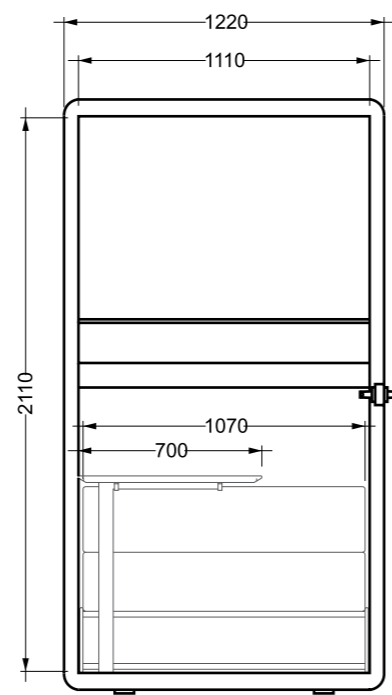
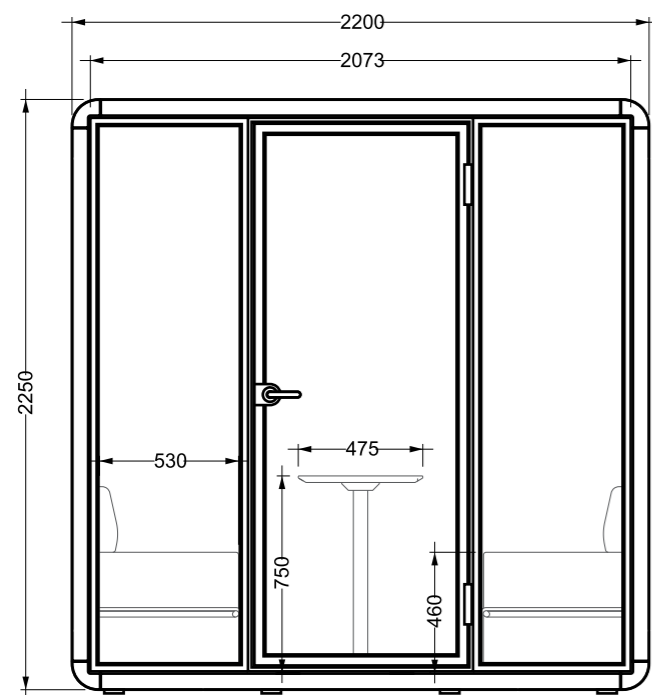
### Midi



## Dimension

### Duo

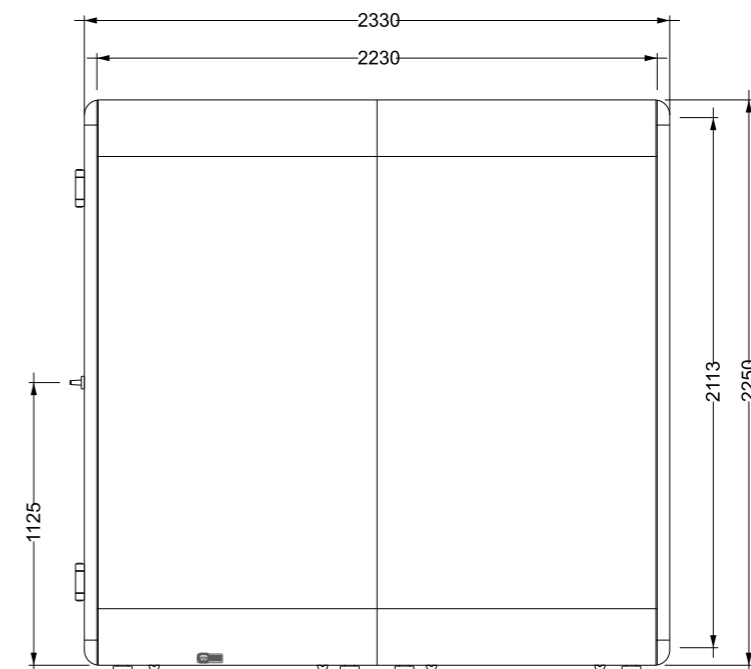
---



## Dimension

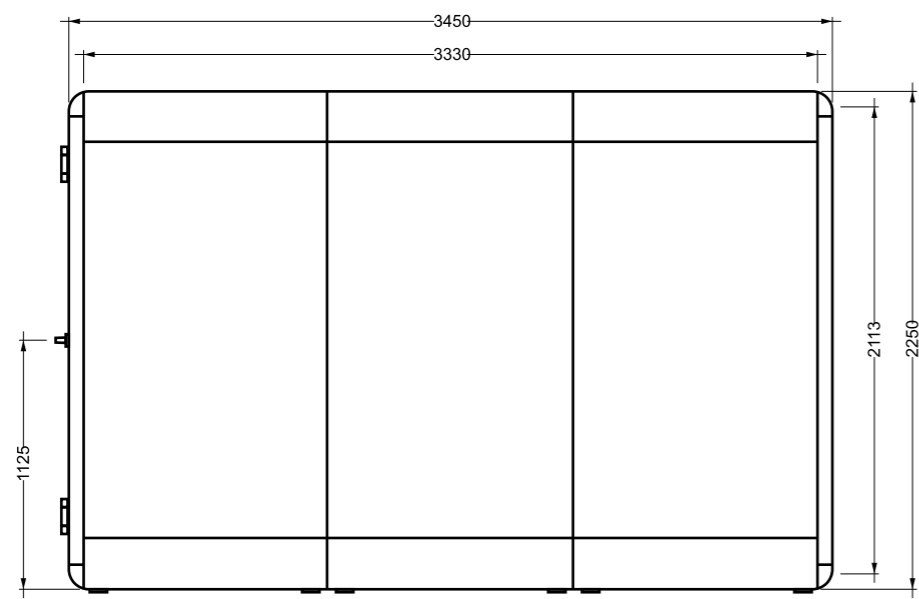
### Duo +

---



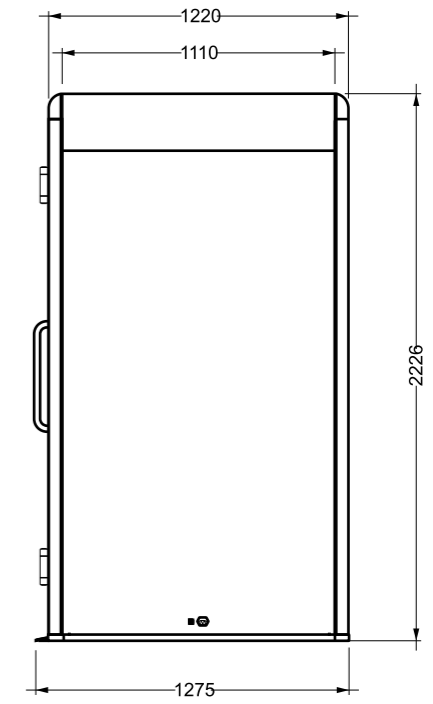
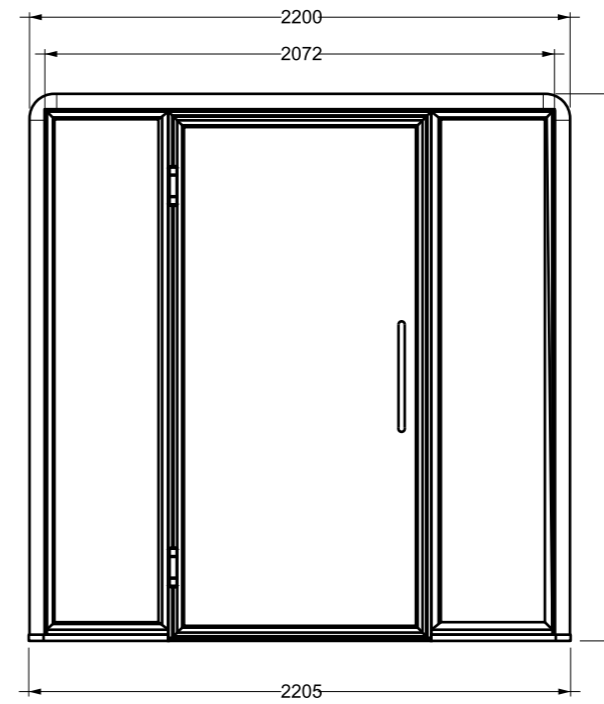
## Dimension

Duo ++



## Dimension

Duo DDA / ADA



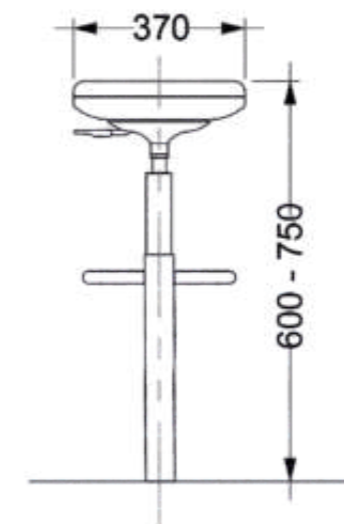




## Add-ons

Grace stool

---

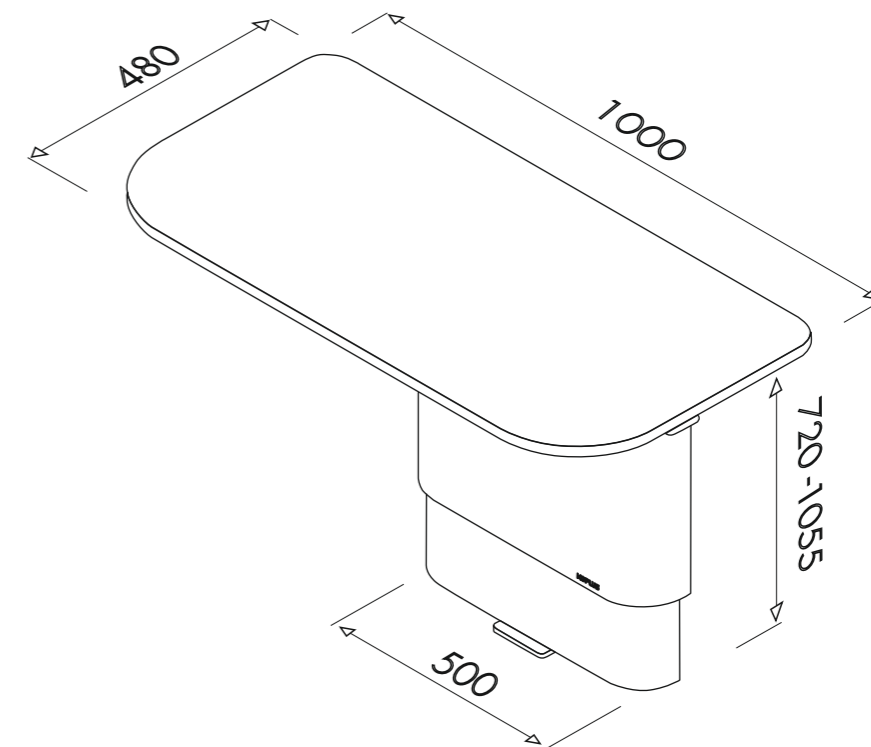




## Add-ons

### Focus Desk

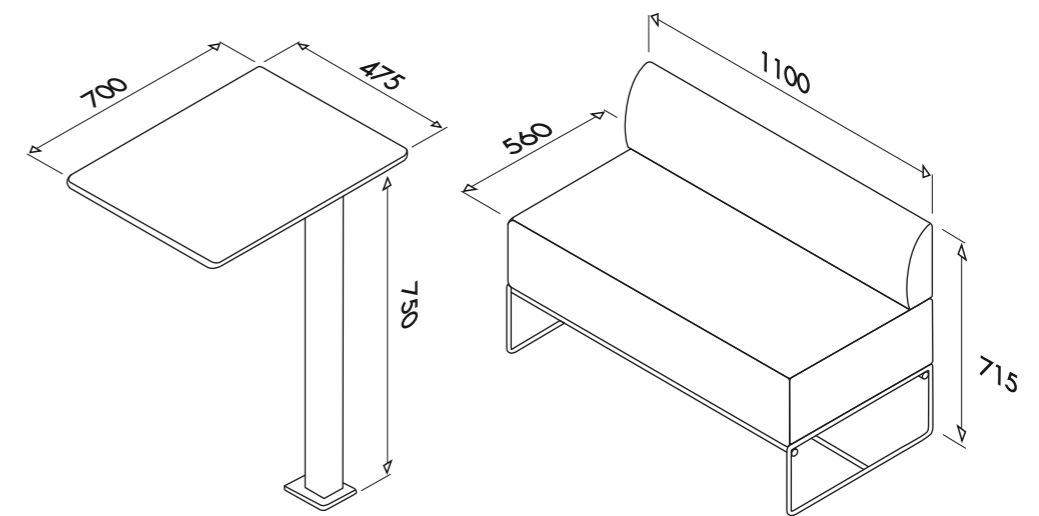
---





## Add-ons

Discuter Set  
2 Kolo Sofas + Side Table



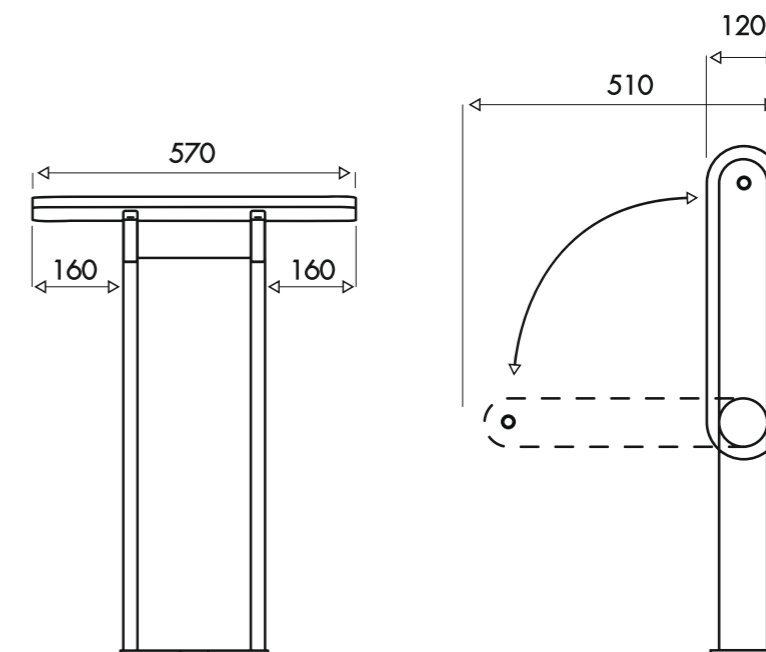
unit : mm

## Add-ons

DDA / ADA

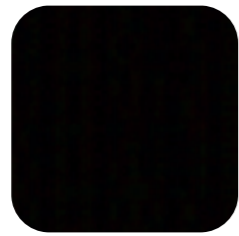
Flip Desk + Flip Bench

---



# Colors Available

## Door Frame



Black



White



Black



White



Graphite Grey



Brick Red

## Body Frame & Exterior



Forest Green



Navy Blue



Purple



Bright Red



Dusty Rose



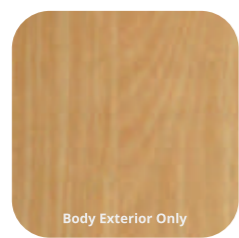
Light Blue



Yellow

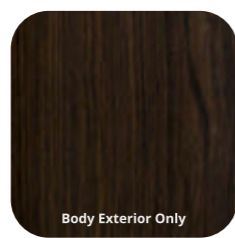


Cappuccino



Body Exterior Only

Light Oak



Body Exterior Only

Dark Walnut

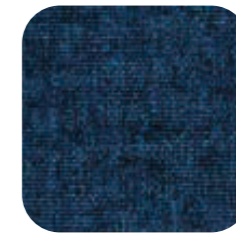
## Gabriel Medley Fabric



Dark Grey



Khaki



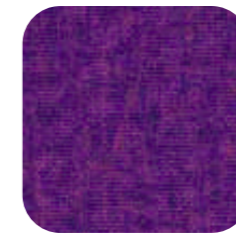
Navy Blue



Light Blue



Burgundy



Purple



Grass Green



Yellow

## PET Interior



Taupe



Green



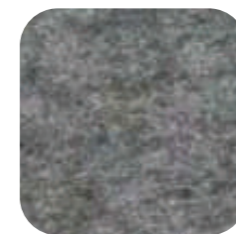
Burgundy



Blue



Blended White



Light Grey

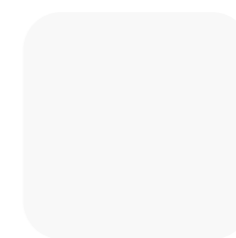


Dark Grey

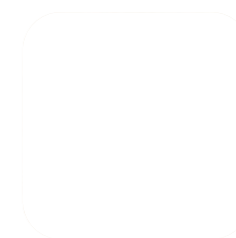
## Table Top



Black



White



Light Ash



# Maintenance & Care

## LED Light

The LED light is activated by a PIR (Passive Infrared) sensor and turns off automatically after 5 minutes of inactivity. It is dimmable from 1800 lumens and the colour temperature can be controlled in the range 2700 to 6500K. The light is FCC certified, cULus listed and DLC (DesignLights Consortium®) certified.

### Use & Care:

1. To adjust colour temperature, press "+" for warmer lights and "-" for cooler lights.
2. To adjust brightness, press "+" for brighter lights and "-" for dimmer lights.
3. Dust and wipe clean the LED light surface with dry cloth.

## Door Handle

The standard door orientation is right handed, but can be modified for left-handed configuration.

### Use & Care:

1. Push the door firmly until you hear a click to close.
2. Wipe clean with water-based or all-purpose cleaner with damp cloth.

## Laminated Glass

4mm + 0.76mm + 4mm Laminated Glass with Clear PVB Interlayer.

### Use & Care:

1. Wipe clean with standard glass cleaner with damp cloth.
2. Avoid using any sharp or rigid material when cleaning to prevent scratches.

## Seismic Kit

Seismic plates and bolts are optional upon request.

### Use & Care:

1. Depending on local regulations, seismic plates from our kit can be simply attached to Kolo and placed on the floor or bolted down for additional seismic safety.
2. Wipe clean with water-based or all-purpose cleaner with damp cloth.



## Ventilation

The controlled airflow details of the ventilation fans are 30.8 m<sup>3</sup>/h for Solo; 61.6 m<sup>3</sup>/h for Midi, Duo and Duo DDA/ADA; 123.2 m<sup>3</sup>/h for Duo+; and 184.8 m<sup>3</sup>/h for Duo++. It is activated by a PIR (Passive Infrared) sensor, automatically turns off after 5 minutes of inactivity.

### Use & Care:

1. The ventilation will automatically turn on and off along with the PIR sensor.
2. Vacuum or dust clean the inner and outer vent holes periodically to prevent build ups over time.

## Cable Management

Electric cables can be accessed by removing the steel panel. There is a hidden compartment to connect and route external digital devices such as monitors.

### Use & Care

1. To remove the steel panel, simply unscrew from the top and remove the steel cover to access the cable compartment.
2. Dust clean the inner compartment when necessary, do not use any liquid cleaner around the electrical parts.
3. Wipe clean the steel cover with water-based or all-purpose cleaner with damp cloth.

## Charging Station

UL and CE certified charging station -2 AC outlets, 2 USB chargers, 1 CAT-6 port.  
Input: 110 - 240 VAC, 10.1 A, 50 - 60 Hz  
Output: DC 5V, 2.1A

### Use & Care

1. Do not plug in any electrical devices that requires more than 5 amps of electrical current.
2. The main power fuse will break for safety precautions when the charging station exceeds 5 amps. Please order replacement fuse from local dealers if surge protection is activated.
3. Dust clean and do not use any liquid cleaner around the electrical parts.

## Maintenance & Care

### Acoustic Foam

The Kolo interior is fully lined with REACH and RoHS compliant acoustic foam that effectively dampens noise.

#### Use & Care:

1. Do not remove the acoustic foams for maximum sound insulation performances.

### Steel Exterior

Powder coated finish.

#### Use & Care:

1. Only use no-residue decals.
2. Wipe clean the steel panel with water-based or all-purpose cleaner with damp cloth.

### Power Connection Point

Hidden power connection point provides the option to route cables through the table to connect monitors or additional tabletop charging station.

#### Use & Care:

1. Upon installation, route cables through the side table base to install tabletop charging station.
2. Dust clean and do not use any liquid cleaner around the electrical parts.
3. Wipe clean with water-based or all-purpose cleaner with damp cloth. performances.



### PET Fabric

The PET fabric is sound absorbing and complies to EN 1021-1:2014 (resistance to ignition by cigarettes) /BS 5852-2:1982, GB Fire Regulations (resistance to ignition by flame) /16 CFR 1610 (flammability of textiles).

#### Use & Care:

1. Dab clean with water-based or all-purpose cleaner with damp cloth and let air-dry.
2. Do not rub to prevent bald spots or colour deterioration.

### Door Hinge

The multi-functional door hinge is equipped with weight-bearing that provides smooth opening and closing. Additional features can be set for the door to lock in position at 90° and to auto-close to prevent collision against wall or surroundings.

#### Use & Care:

1. Door opening/closing weight and 90° lock-in position can be adjusted by local dealers upon installation.
2. Wipe clean with water-based or all-purpose cleaner with damp cloth.

# Placement Guide







 [info@sensesakustik.com](mailto:info@sensesakustik.com)

 [www.sensesakustik.com](http://www.sensesakustik.com)