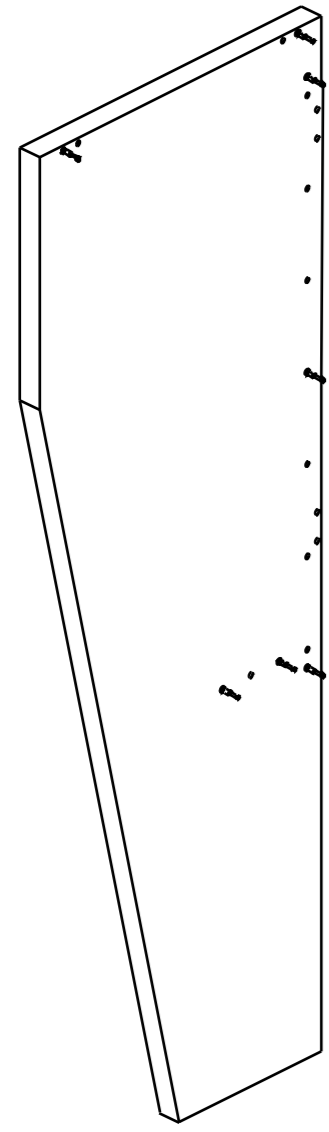


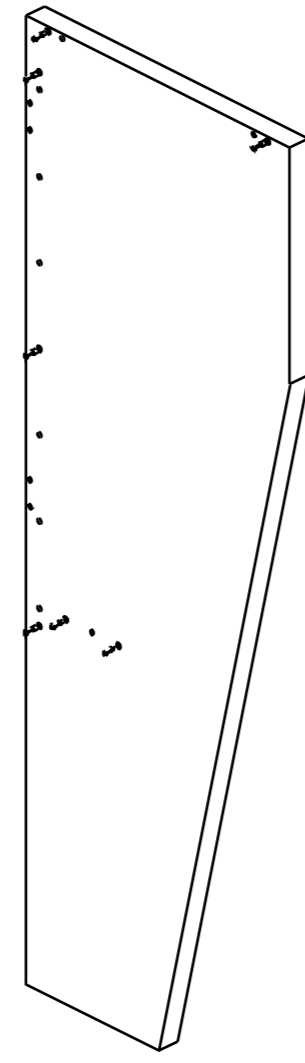


# Installation Steps

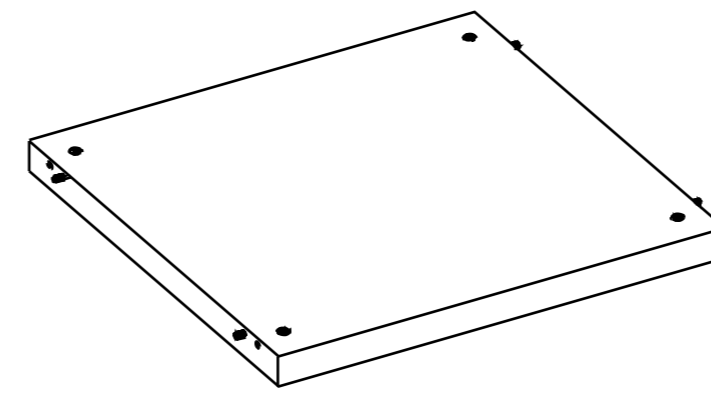
## Part Overview



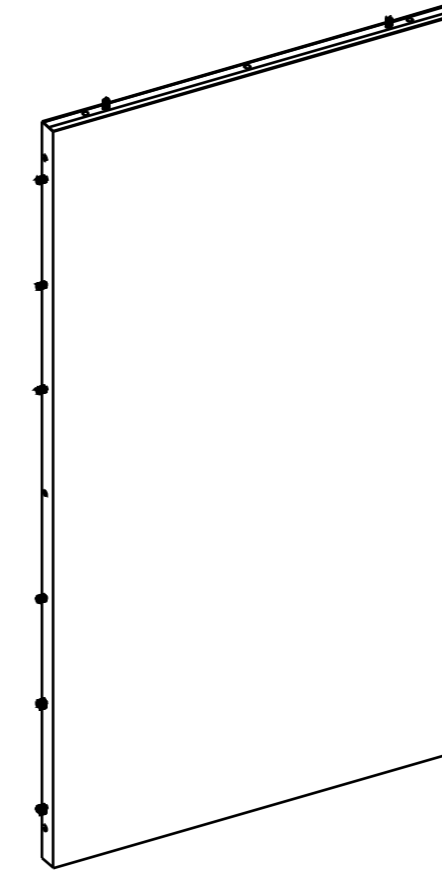
Left Side



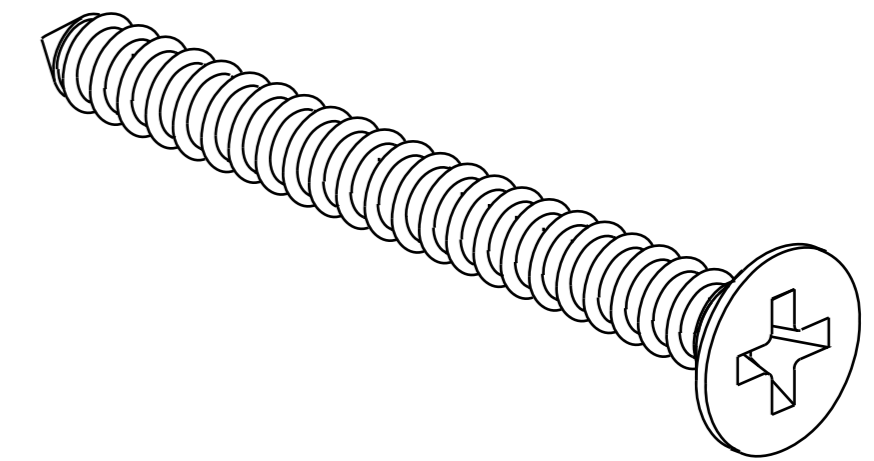
Right Side



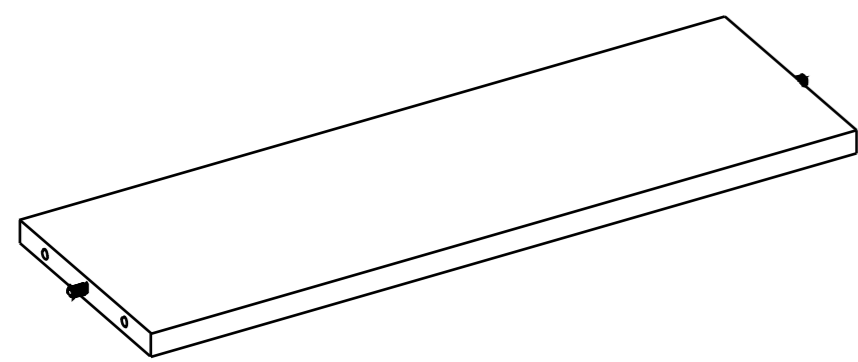
Top



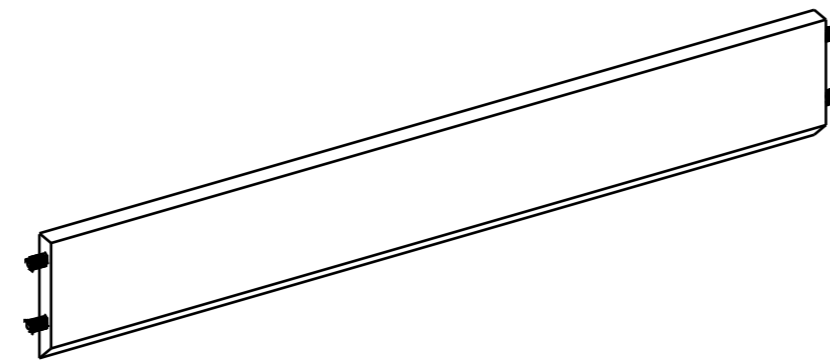
Back



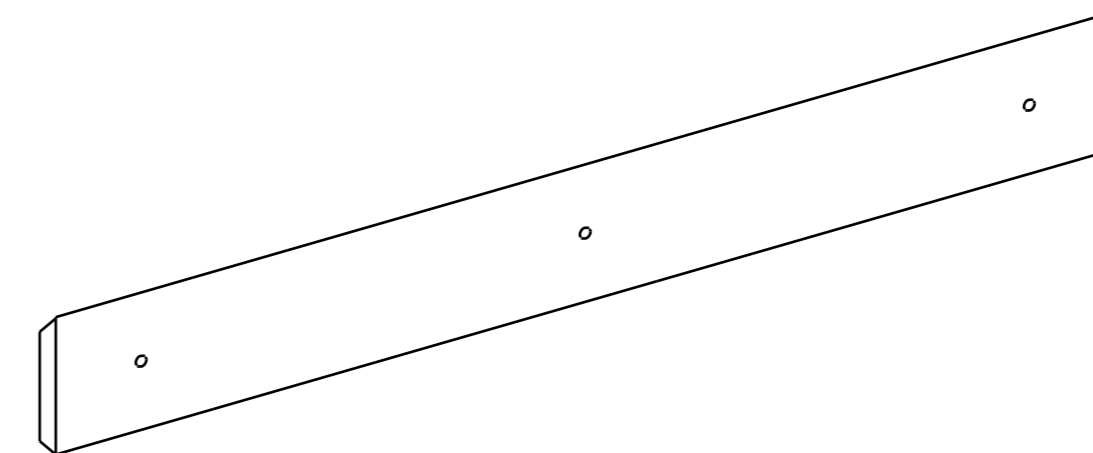
Wall Mount Screw  
M6 x 50 mm  
(6 nos)



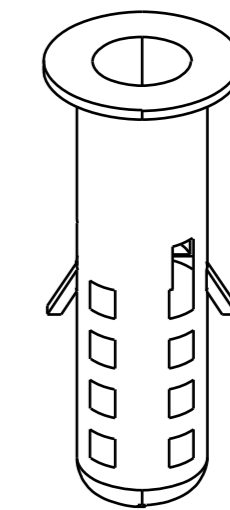
Desk



Back panel  
(2 nos)



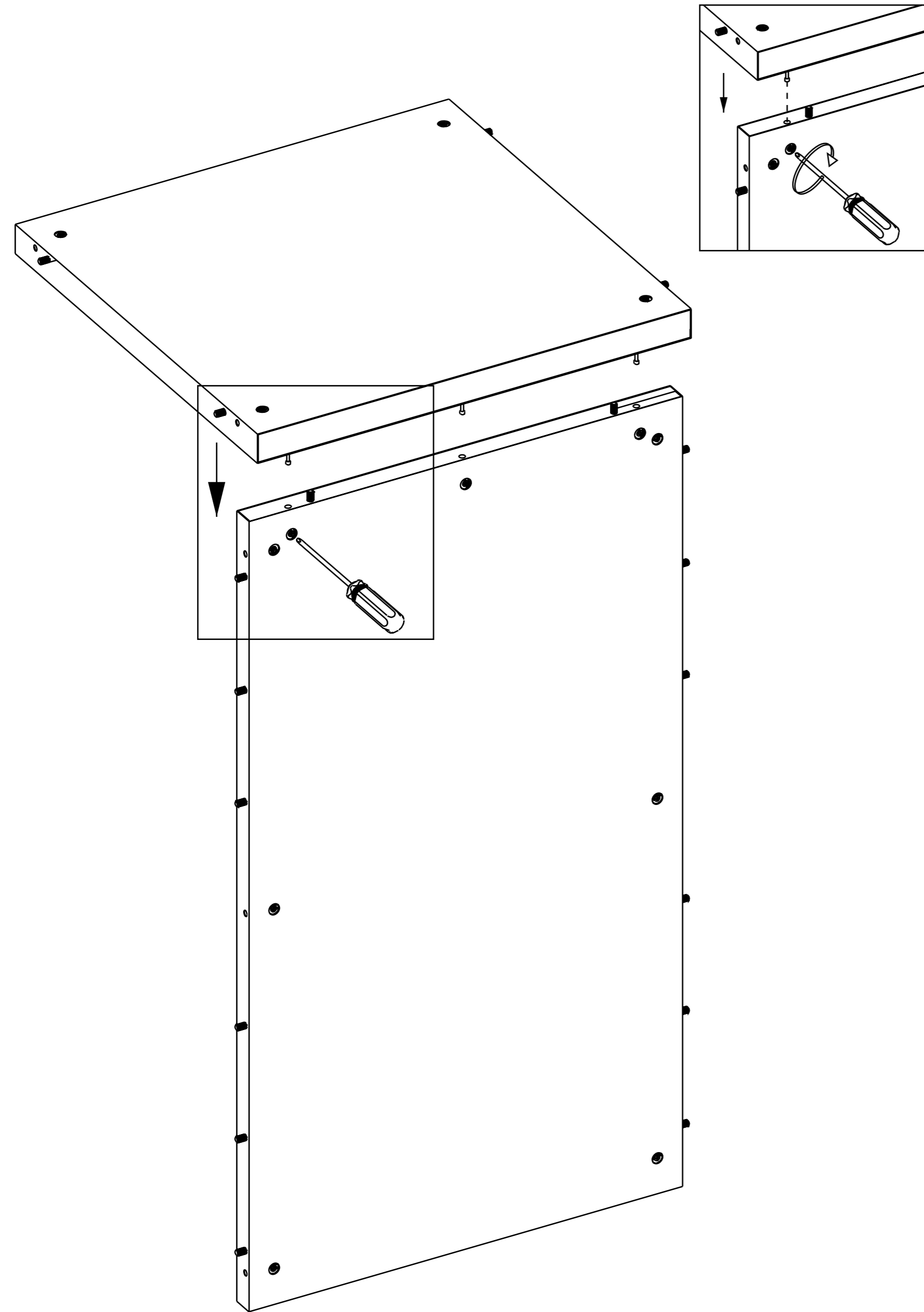
Wall panel  
(2 nos)



Plastic Screw Anchor  
(6 nos)

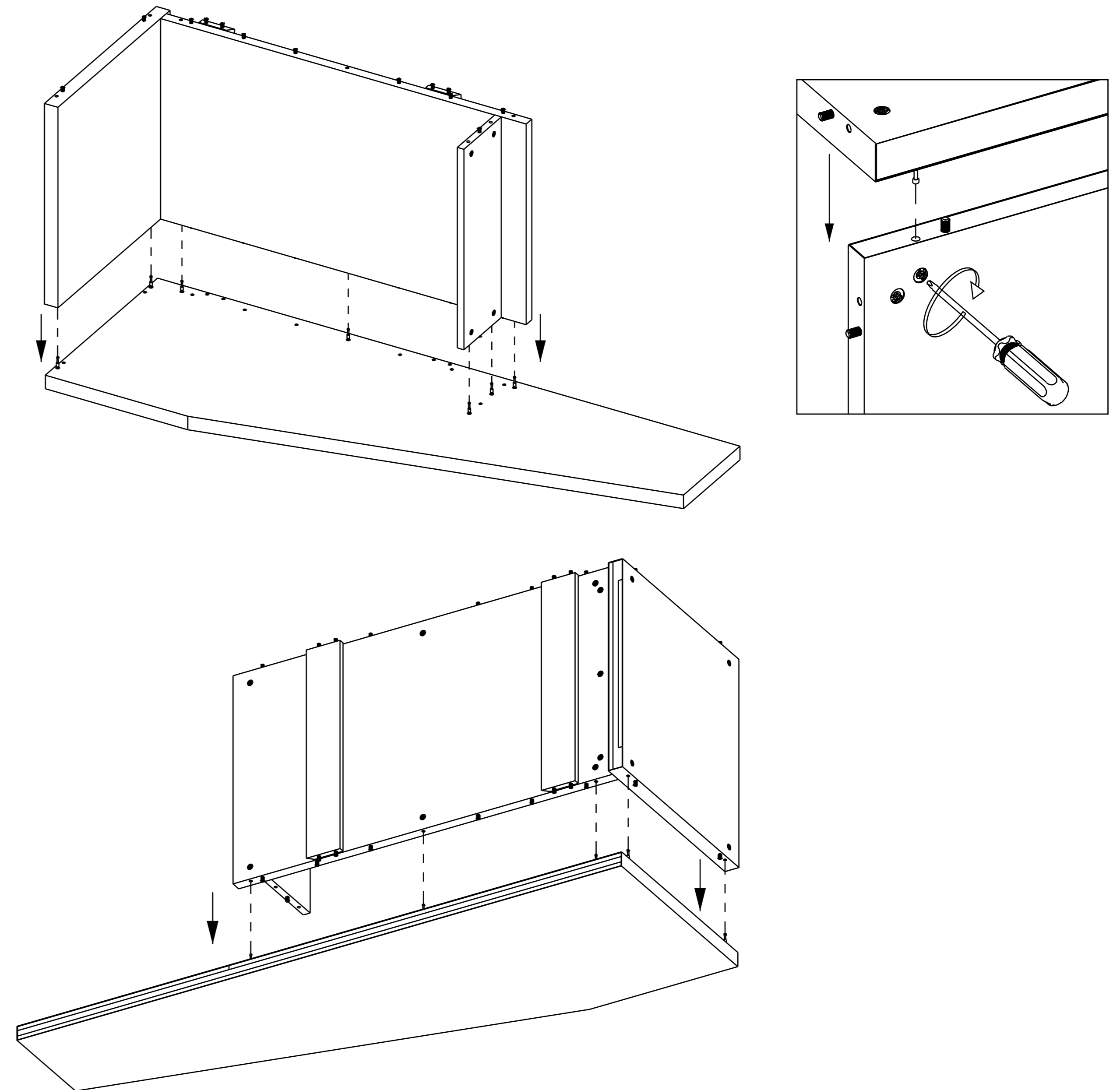
### Step A:

Place the top panel onto the back panel, aligning the Minifix dowels with the holes. Once aligned, press down gently. Use a screwdriver to rotate the Minifix housing and lock the top panel in place.



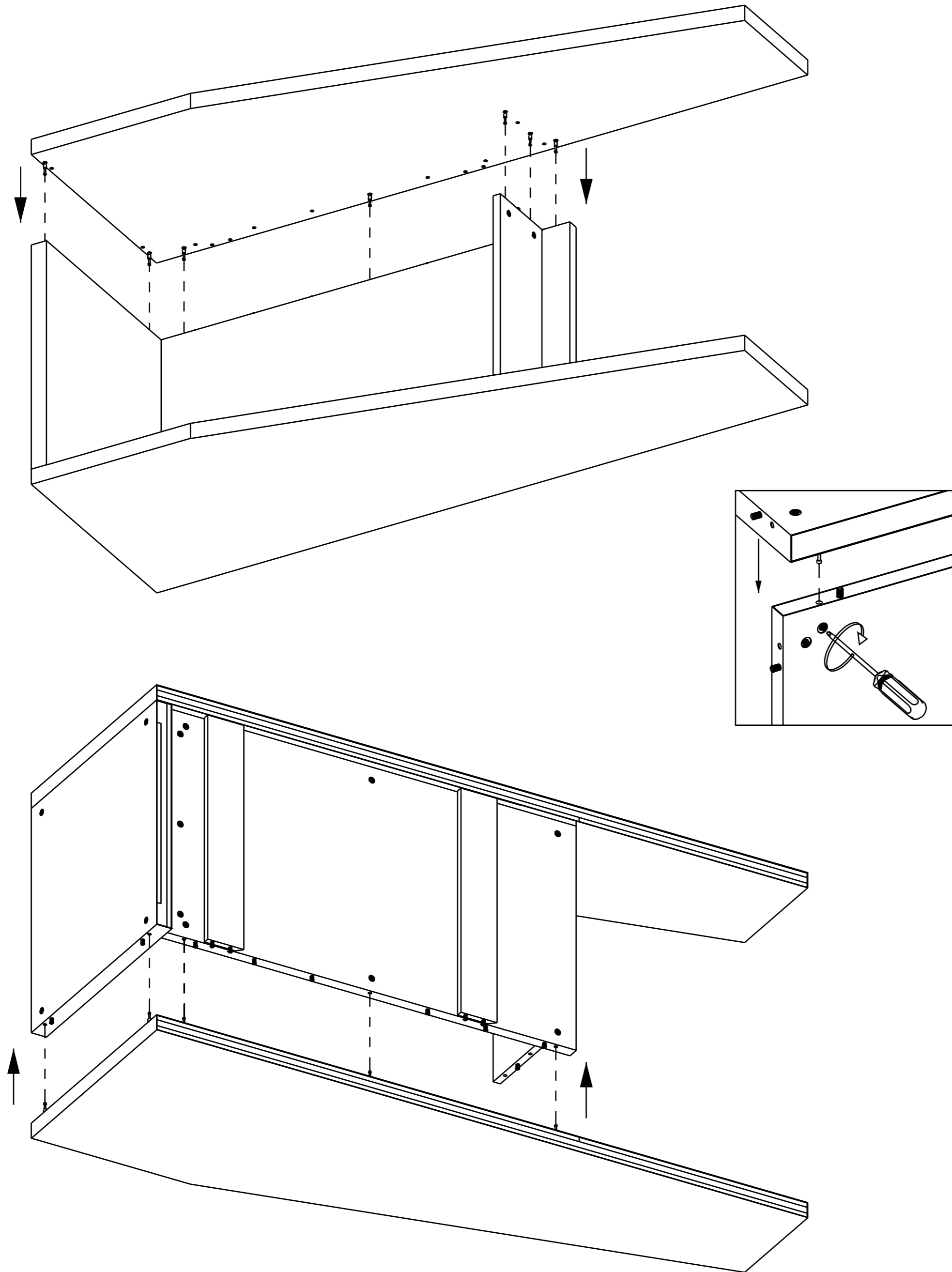
### Step B:

Fix the desk, product bracket, and the back-top assembly to the left side panel using the same Minifix method: align, press down, and lock with a screwdriver.



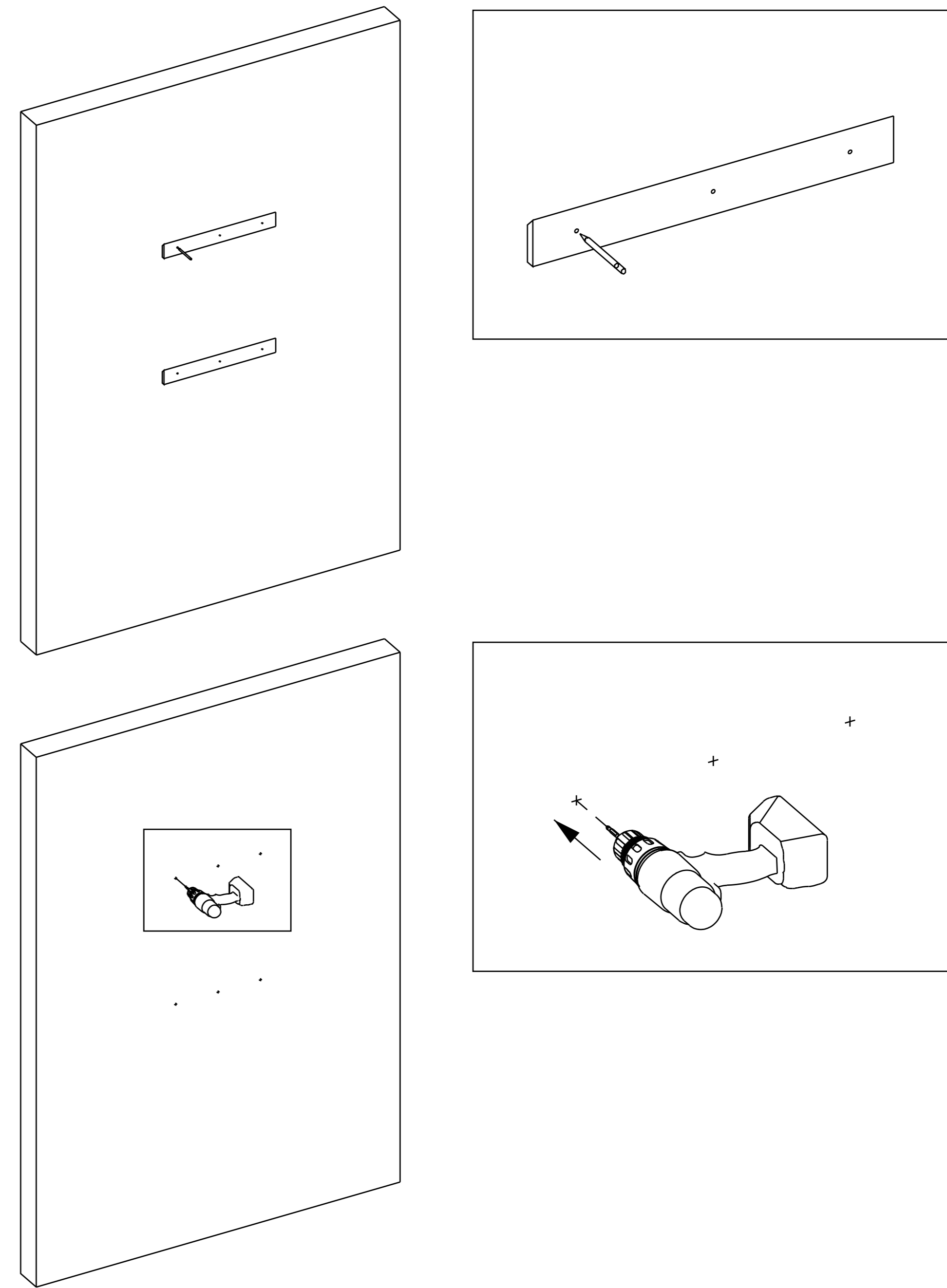
### Step C:

Attach the right side panel to the assembly using the same Minifix method: align, press down, and lock with a screwdriver.



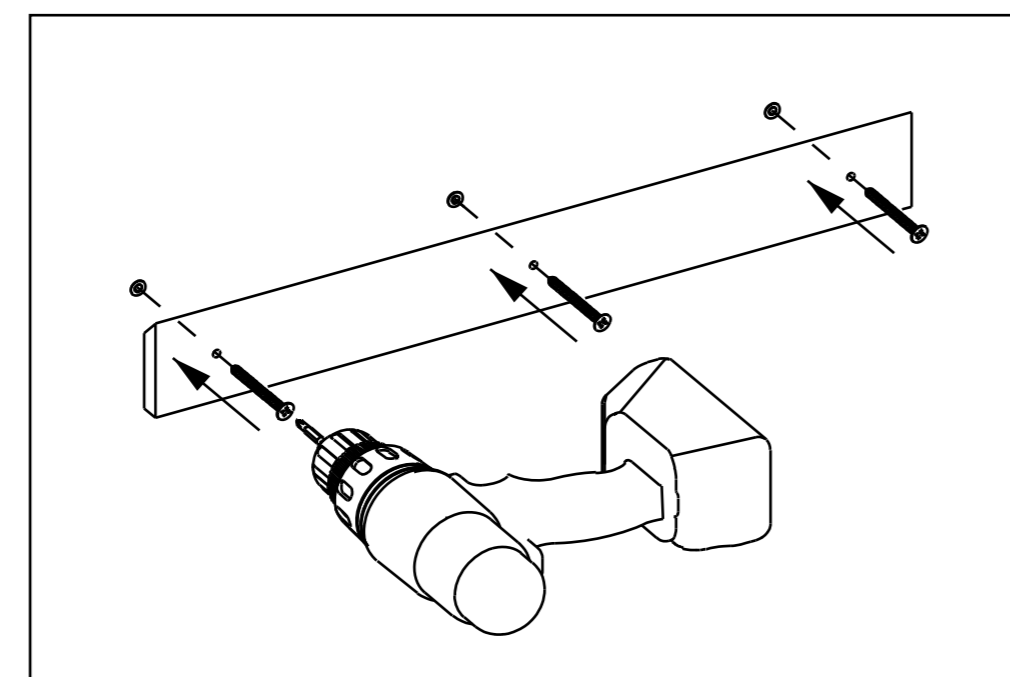
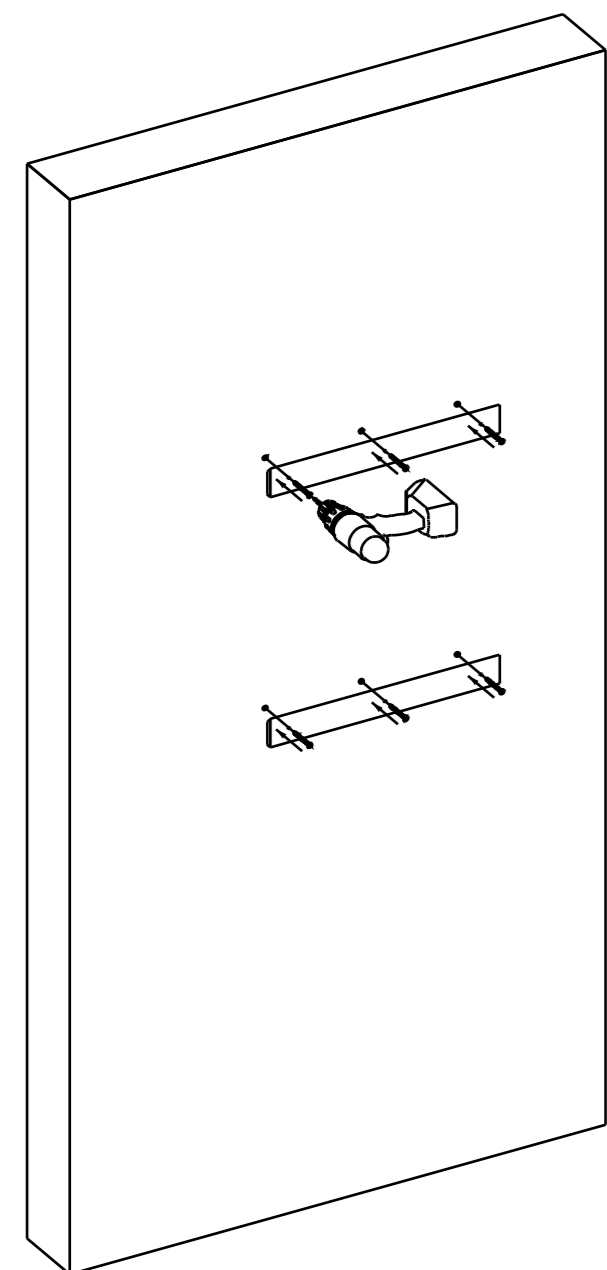
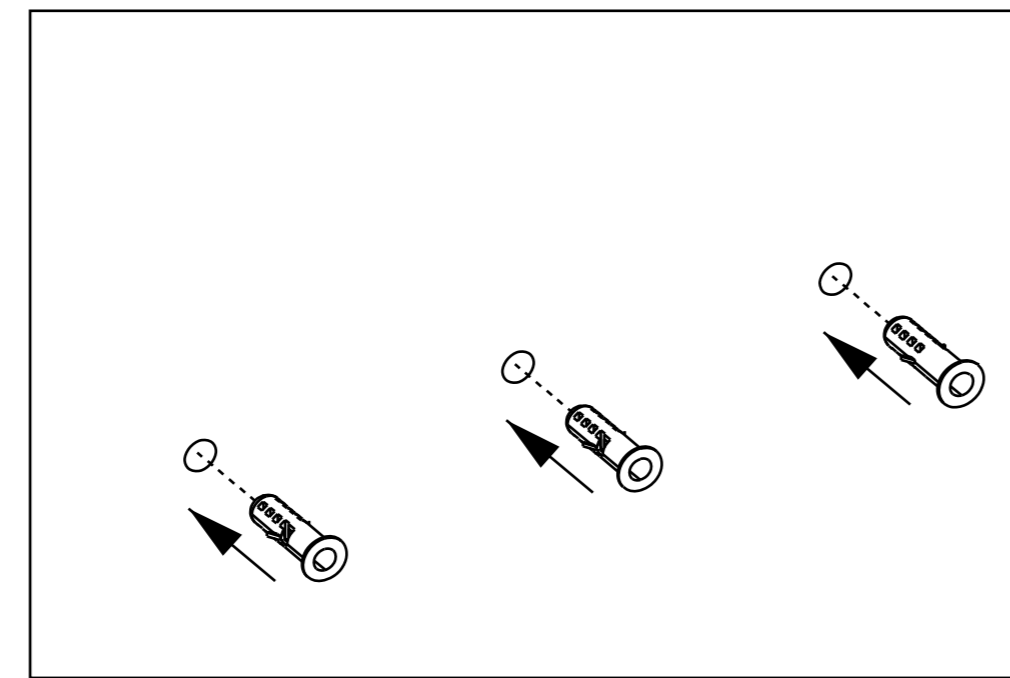
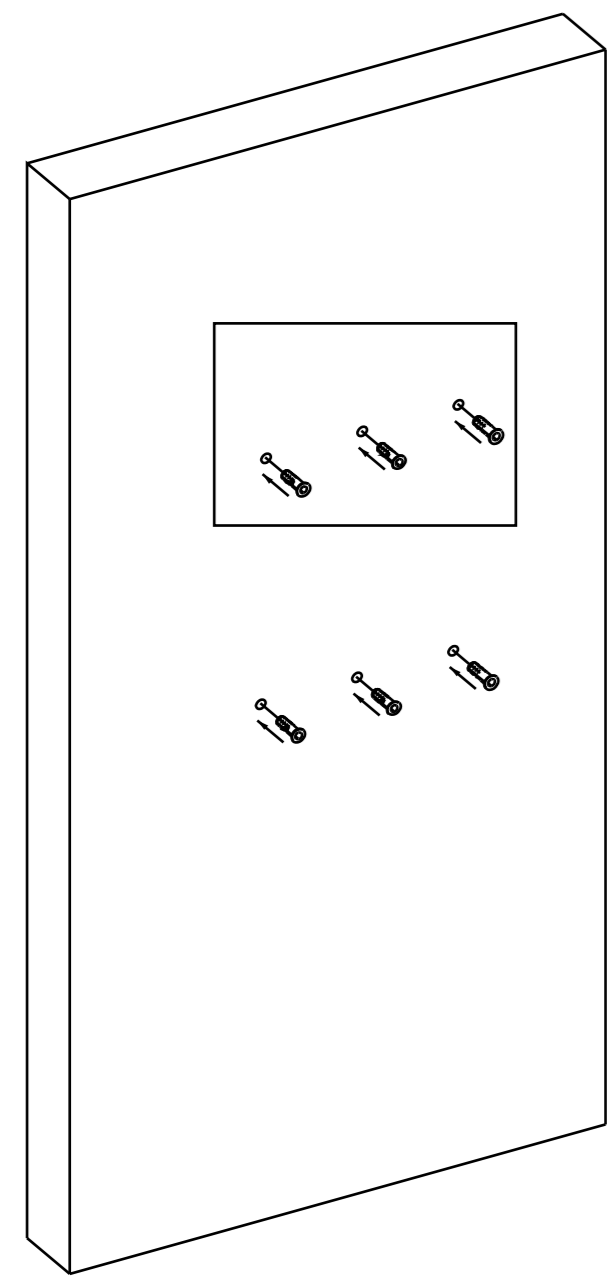
### Step D:

Hold the wall cleat against the wall at the desired mounting location. Use a pencil to mark the screw positions through the holes in the cleat.



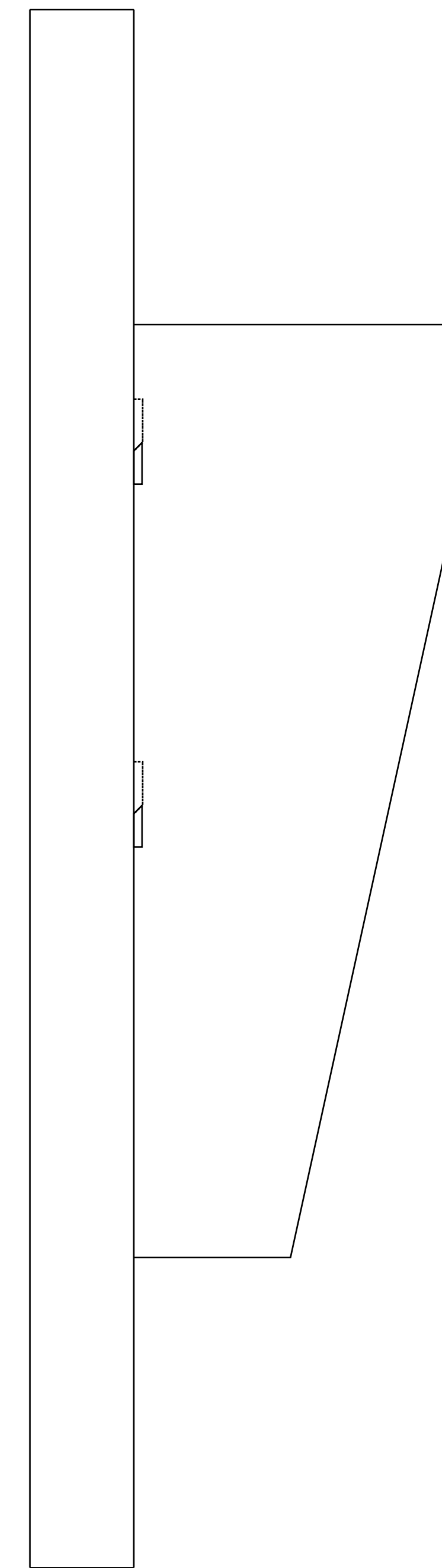
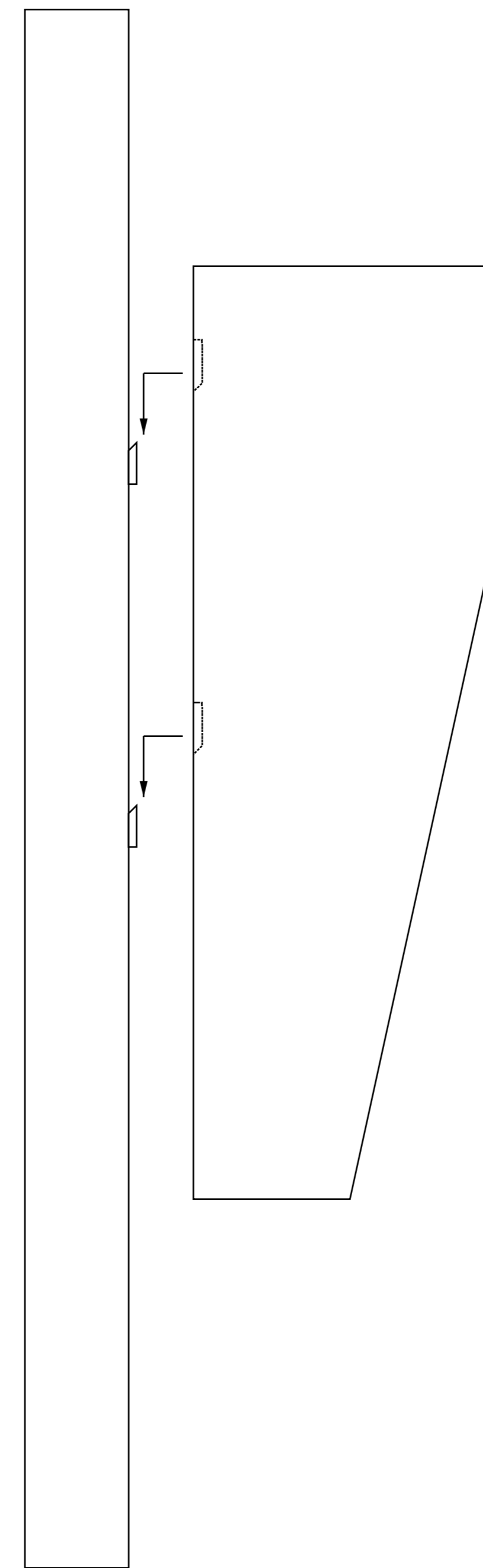
### Step E:

Drill holes at the marked positions. Fix the wall cleat to the wall using self-tapping screws.



### Step F:

Mount Zest onto the wall by matching the product bracket with the fixed wall cleat.



 [info@sensesakustik.com](mailto:info@sensesakustik.com)

 [www.sensesakustik.com](http://www.sensesakustik.com)