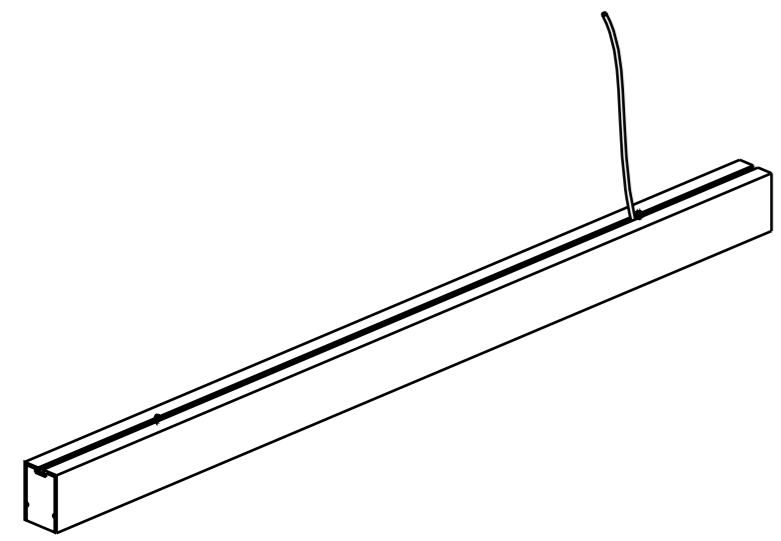


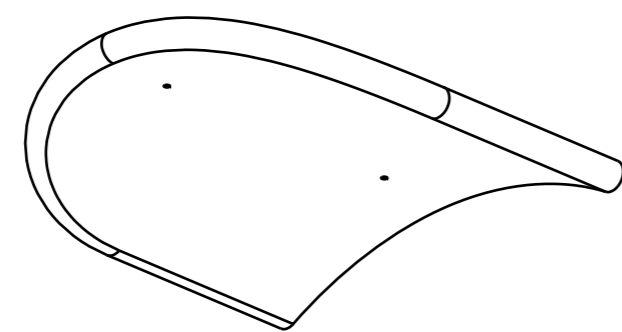


# Installation Steps

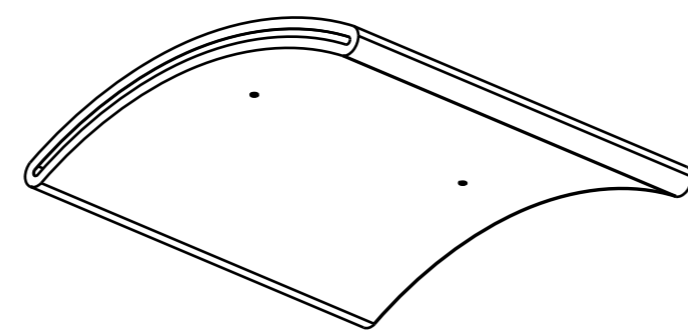
## Part Overview



Light



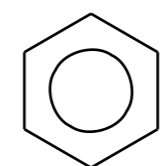
Blade Baffle(2 Nos)  
(First & Last)



Blade Baffle  
(Center)



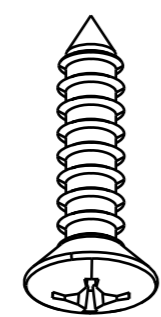
Connector  
(6 nos)



Hex nut(M8)  
(12 nos)



Wood Dowel(M8 x 40 mm)  
(10 nos)



Self Tapping  
Screw M4 x 38 (6 nos)

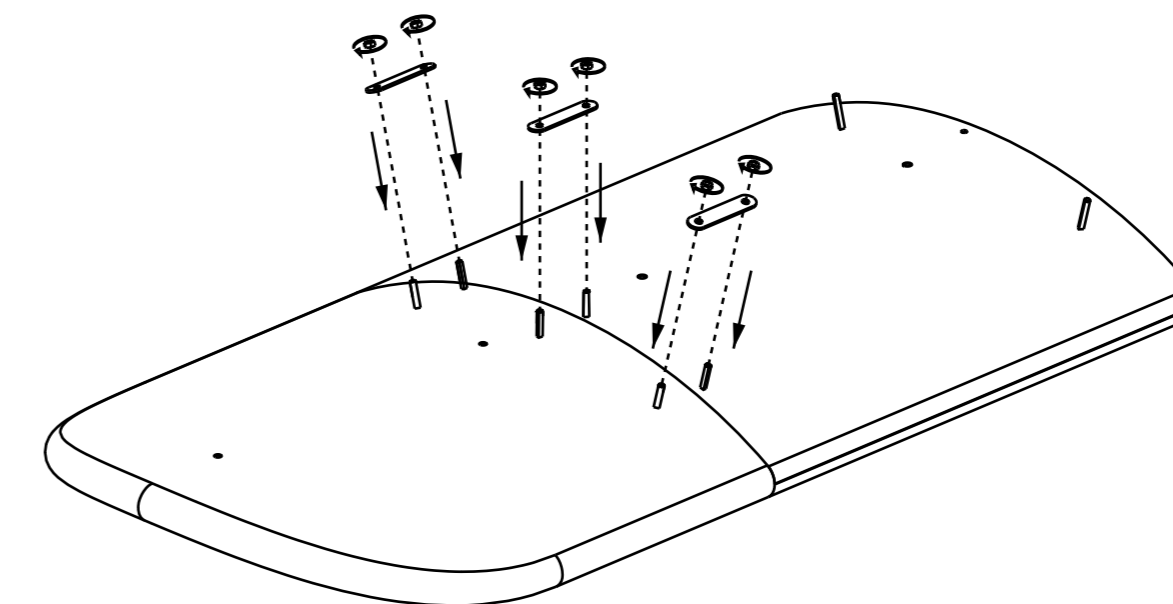
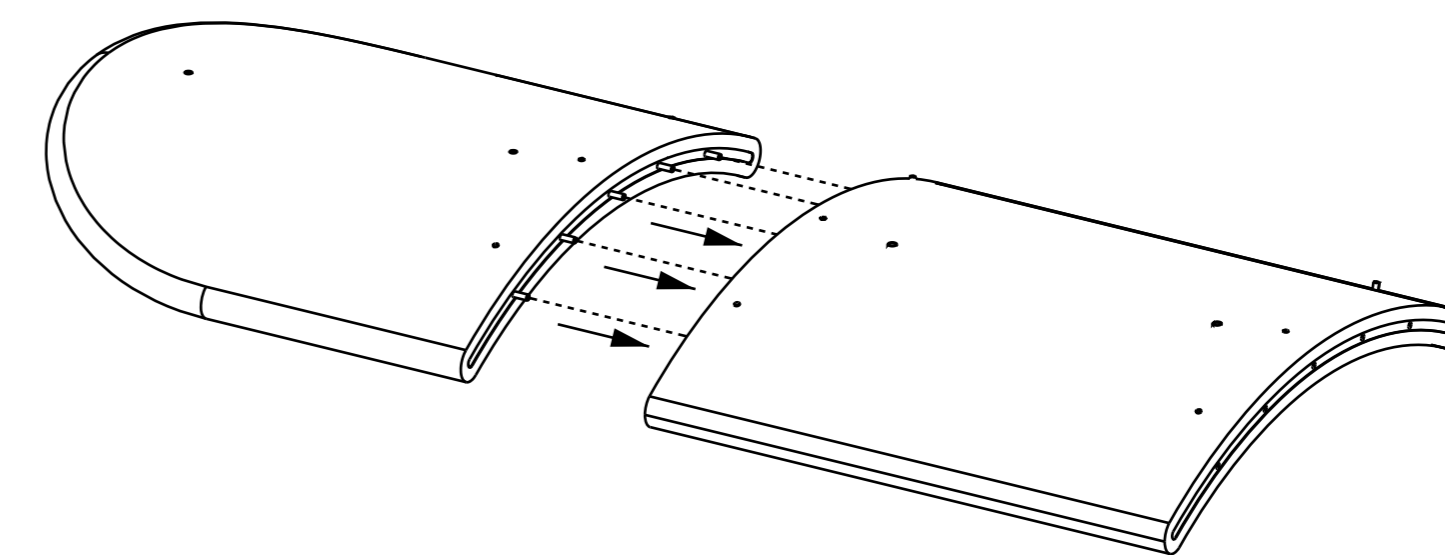
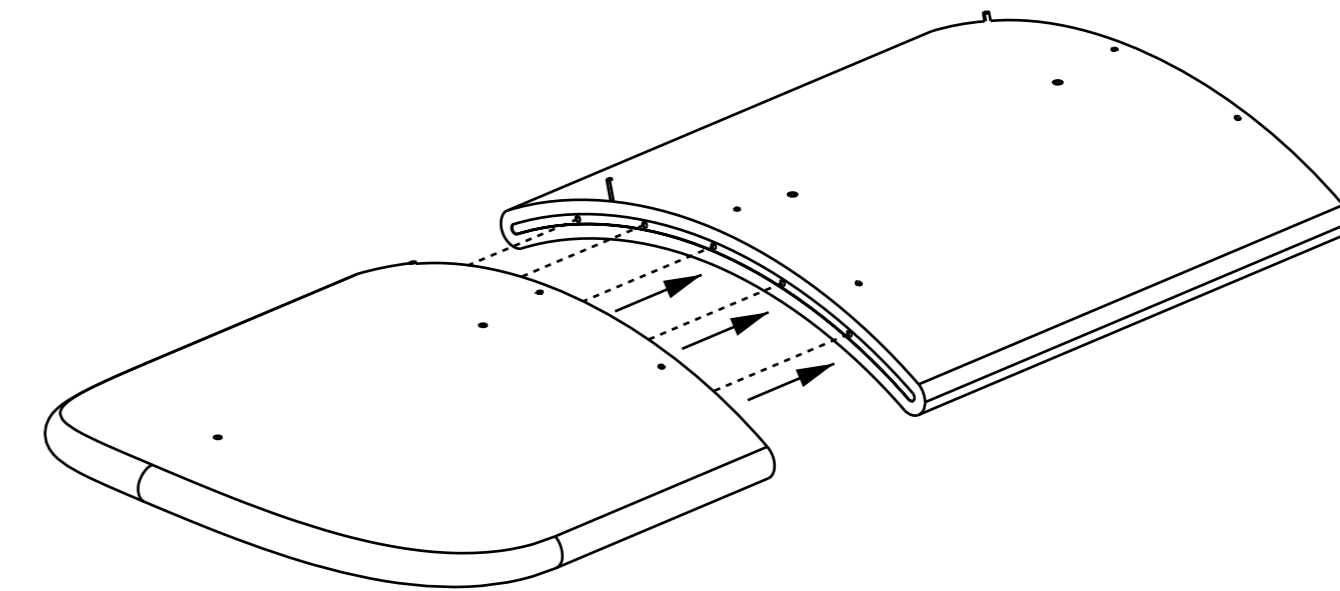
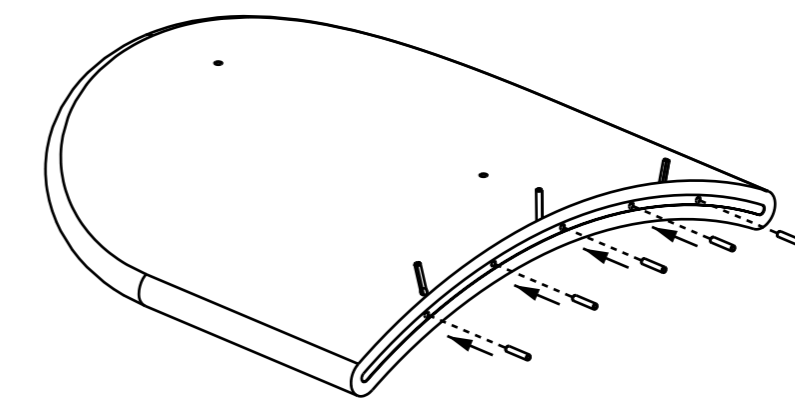


Top Bottom Hardware  
(6 set)

## Assembly

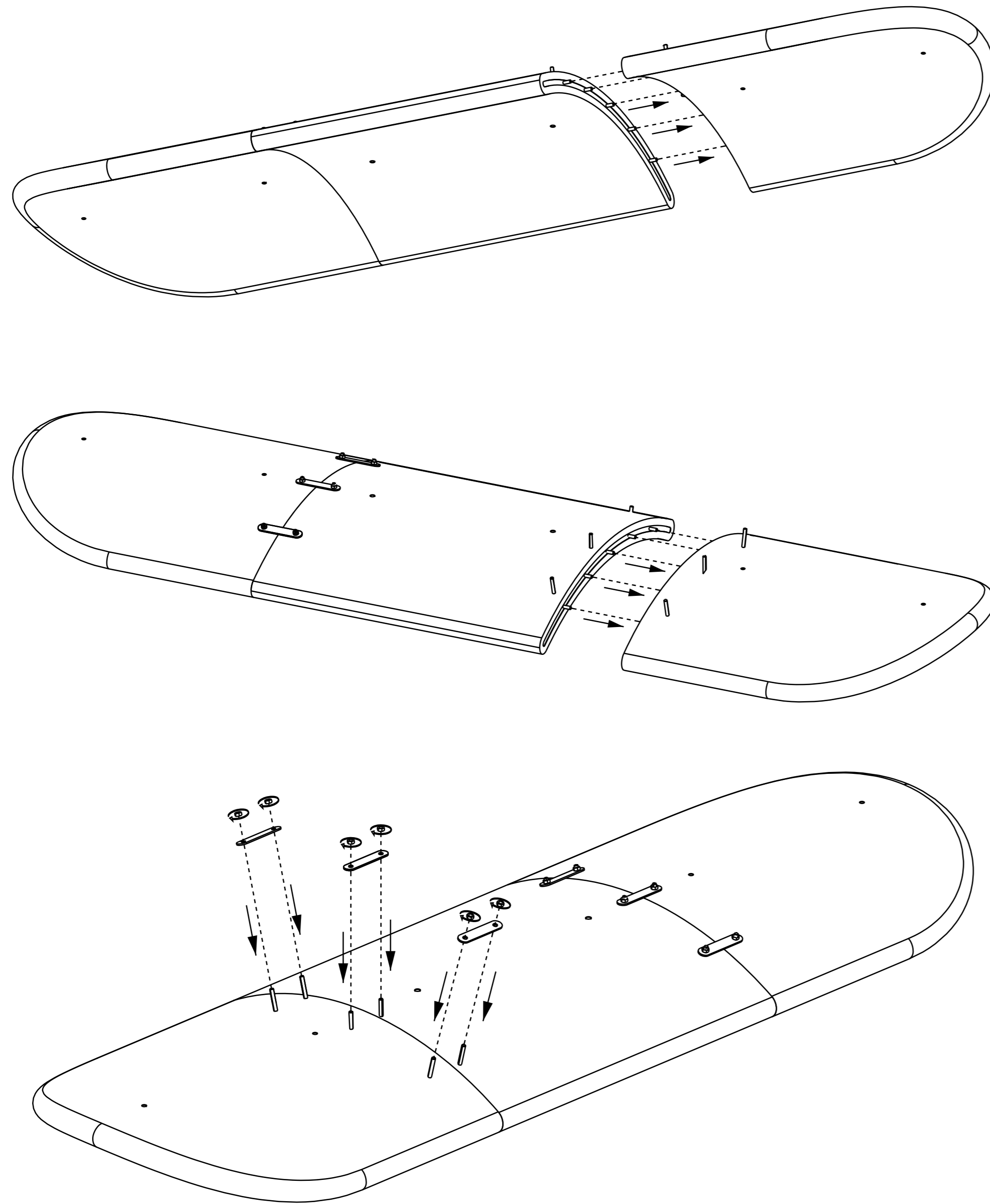
### Step A:

Insert half of the wooden dowel into the hole of the first part. Connect the first part to the centre part. Insert the connector into the thread on the top side and secure it with the nut.



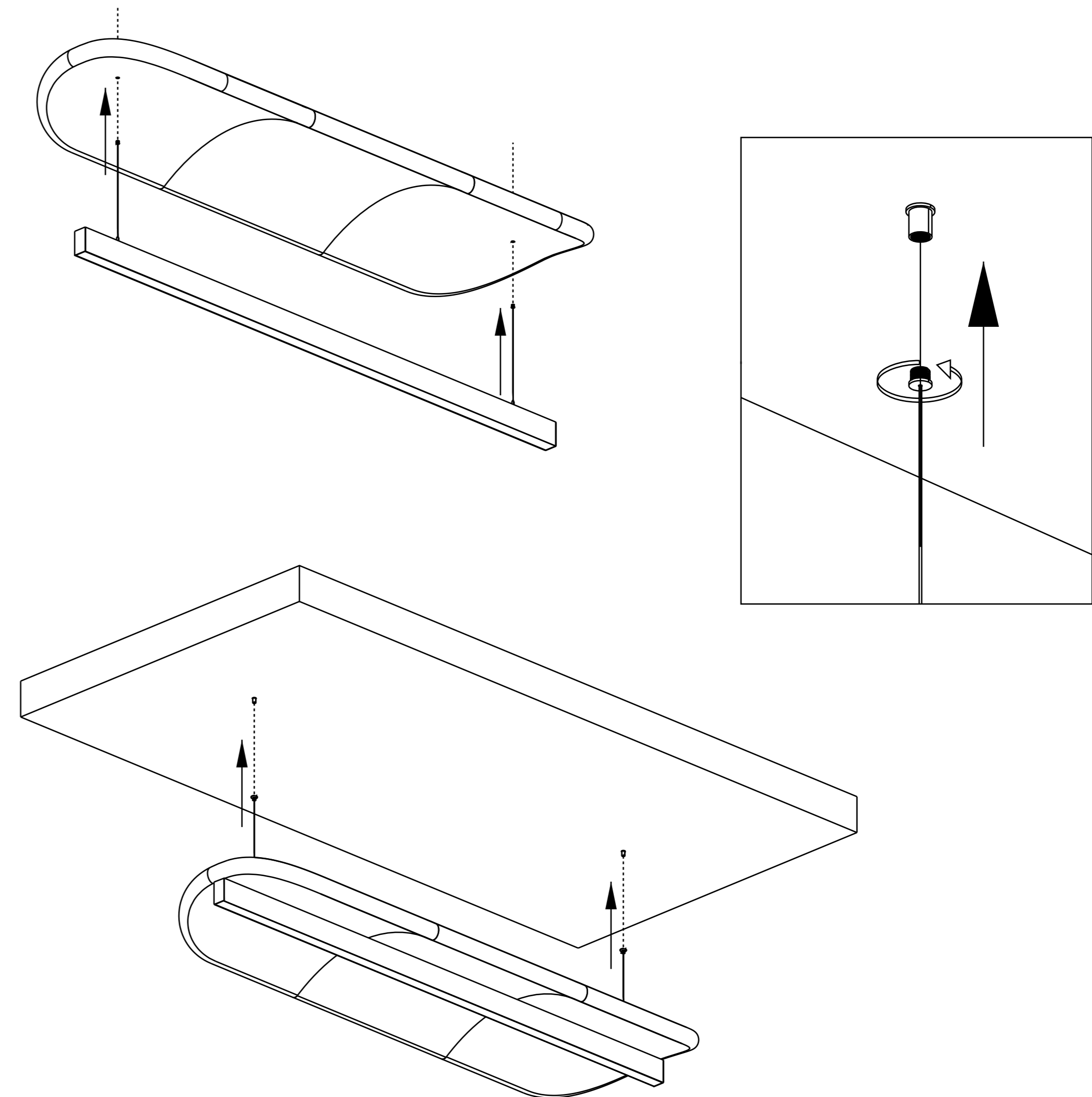
### Step B:

Insert half of the wooden dowel into the hole of the last part. Connect the second and last parts to the first part. Insert the connector into the thread on the top side and secure it with the nut.



### Step C:

Attach the baffle light to the hardware according to the close-up view provided.



 [info@sensesakustik.com](mailto:info@sensesakustik.com)

 [www.sensesakustik.com](http://www.sensesakustik.com)