



Technical Specifications

Composition

Base 100% PET (60% Recycled Content)

Applications Ceiling Mounted

Accessories Clutch Wire Systems

Patterns & Dimensions

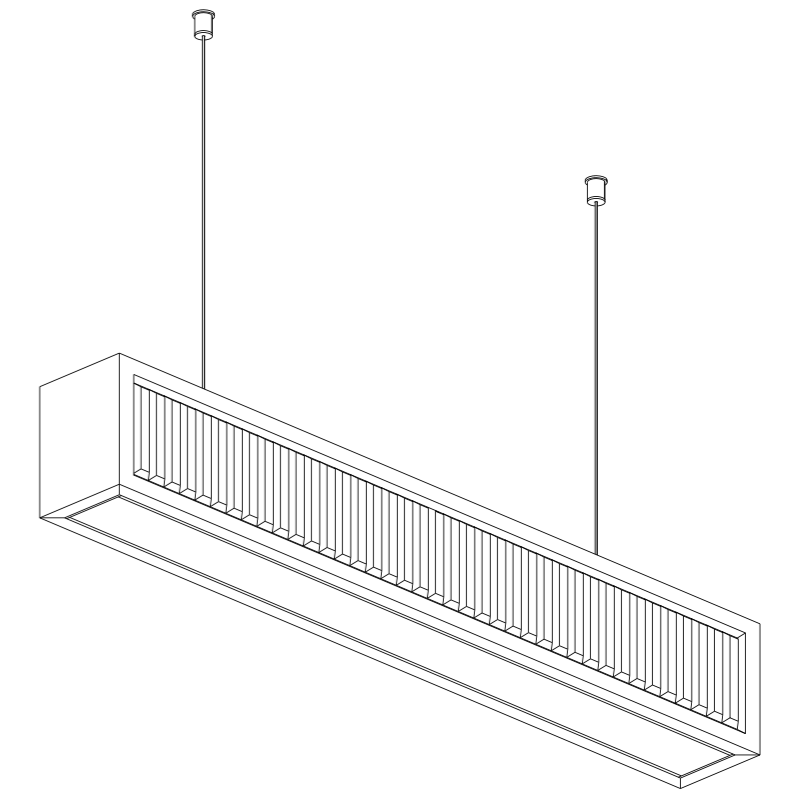
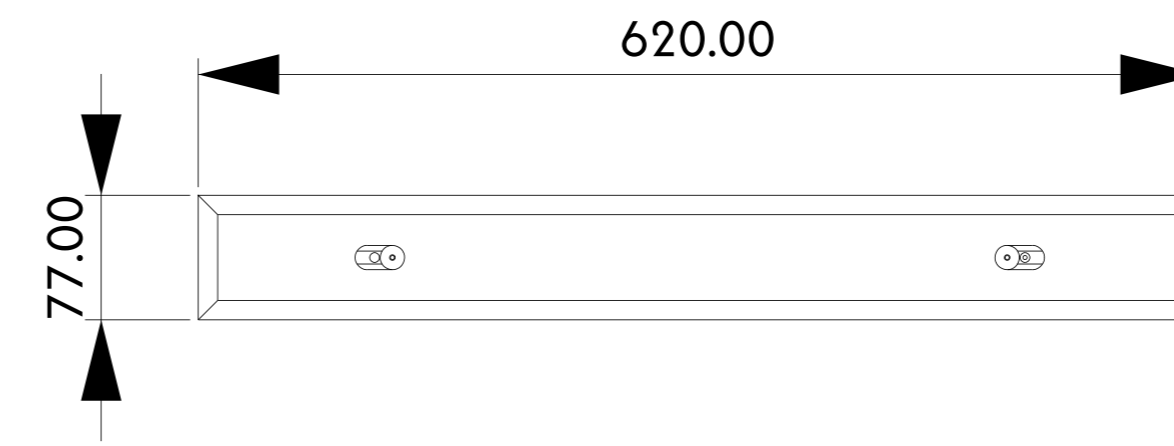
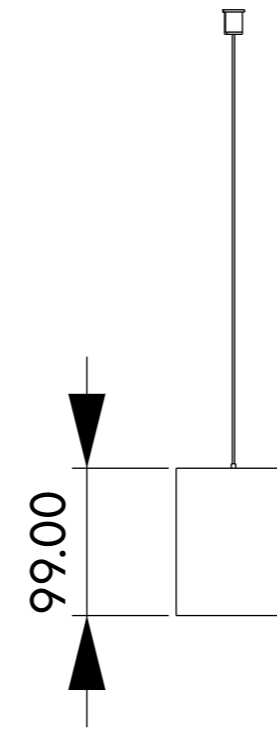
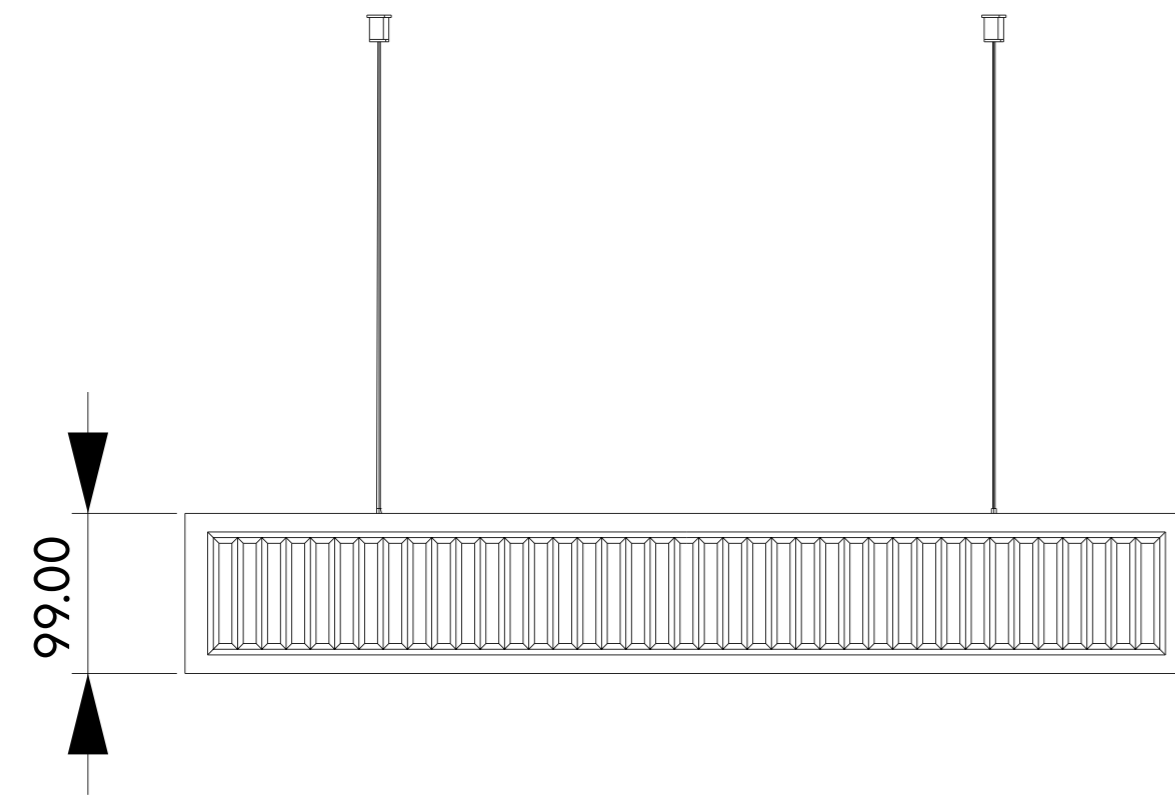
- **Standard** Vertical, Spiral, Horizontal & Flower
- **Dimension**
(S) : 620 x 77 x 99 mm (L x W x H)
(M) : 1214 x 77 x 99 mm (L x W x H)
(L) : 2390 x 77 x 99 mm (L x W x H)



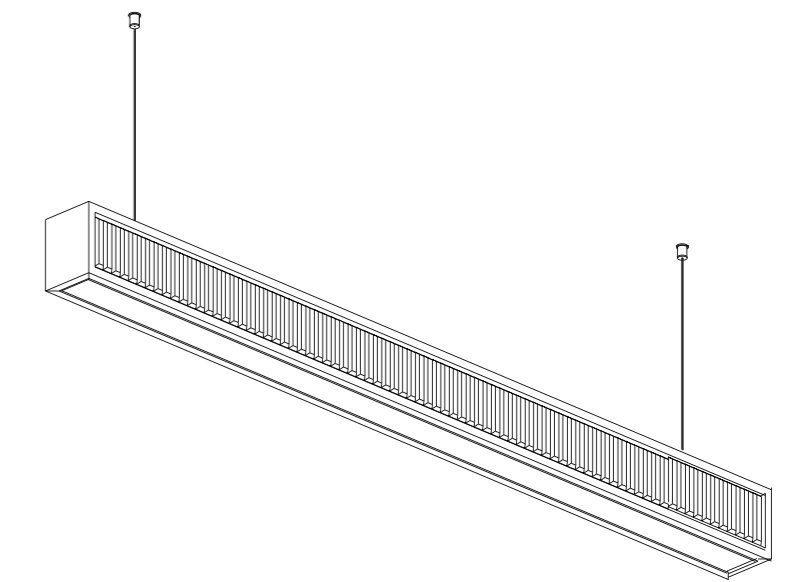
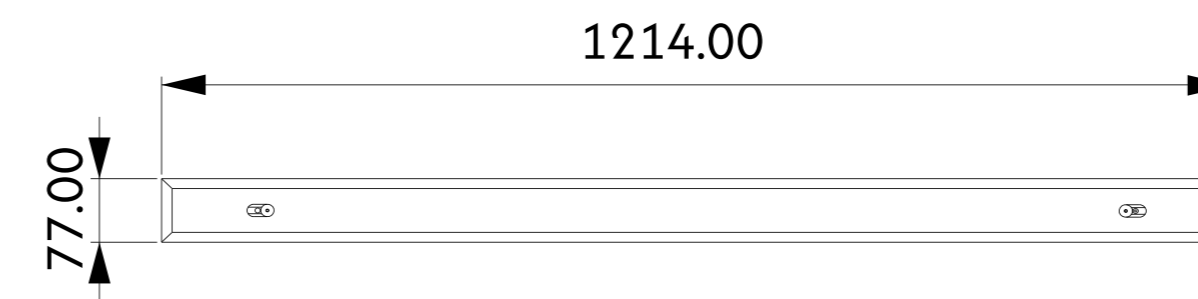
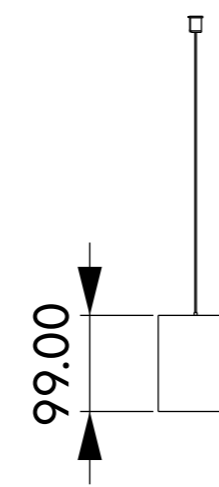
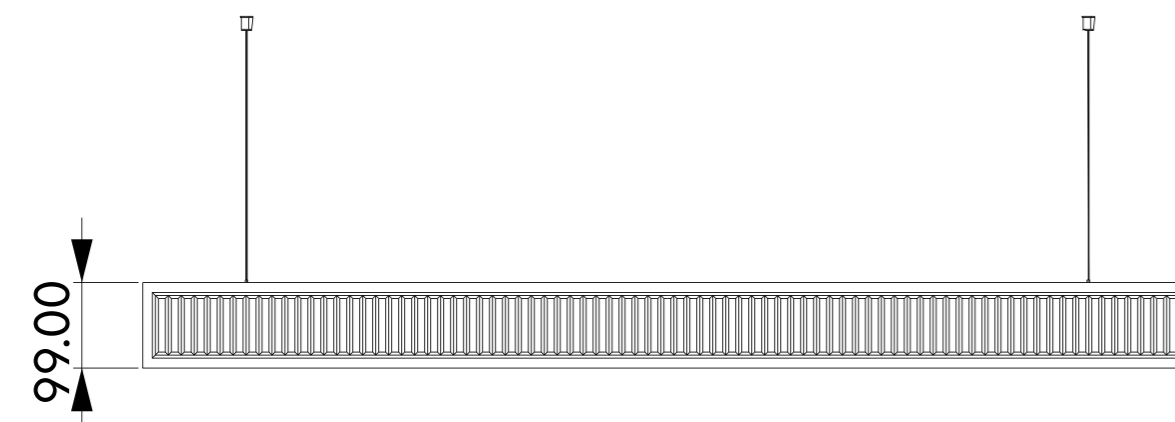
Patterns & Dimensions

Beam - Vertical

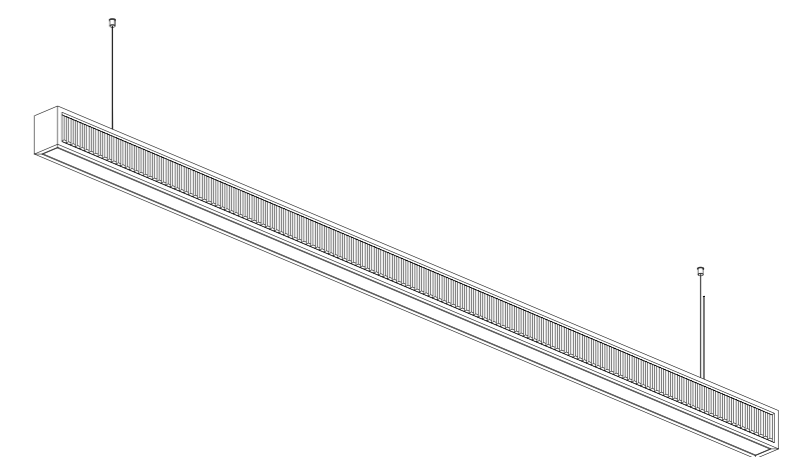
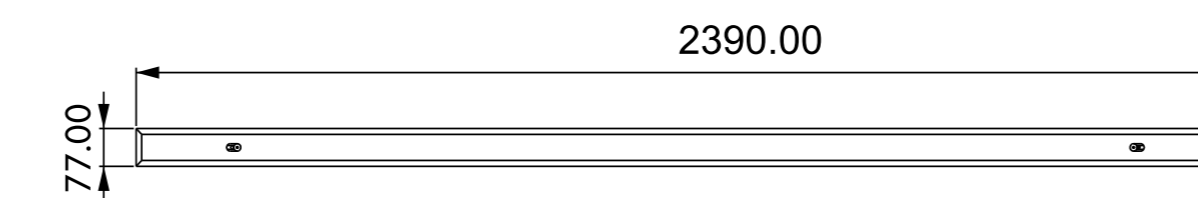
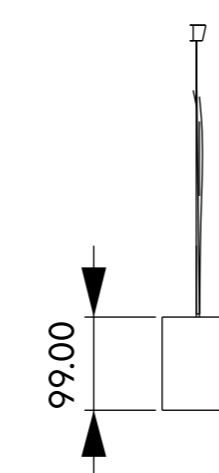
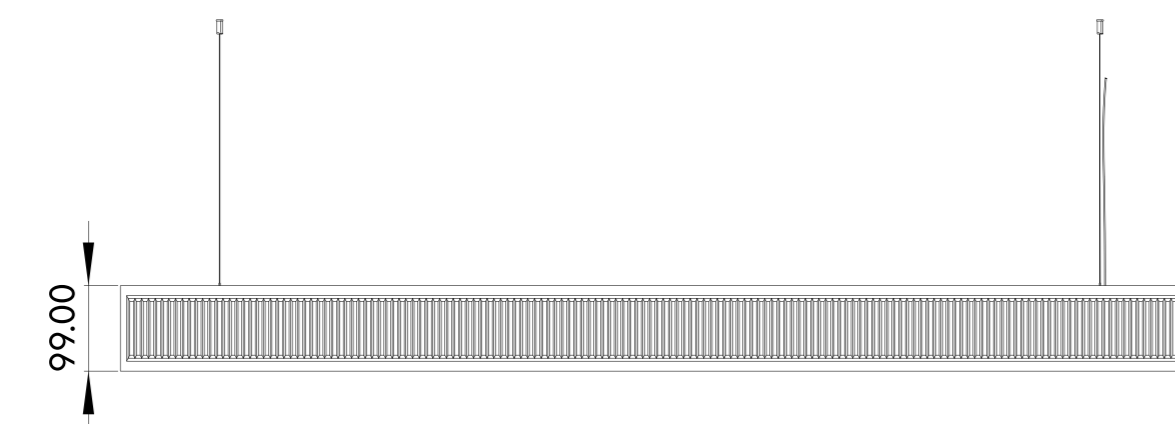
Op. 1: Small



Op. 2: Medium

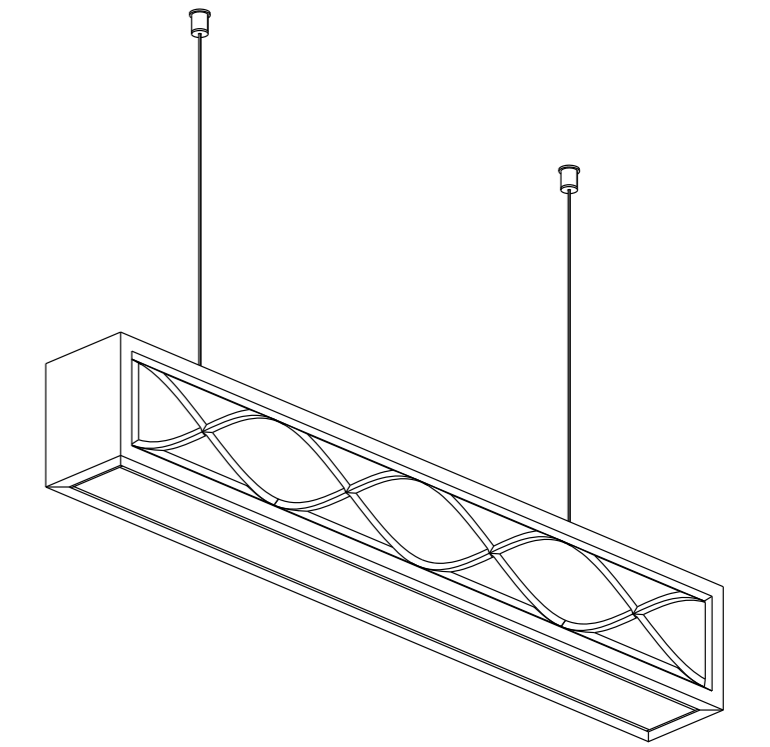
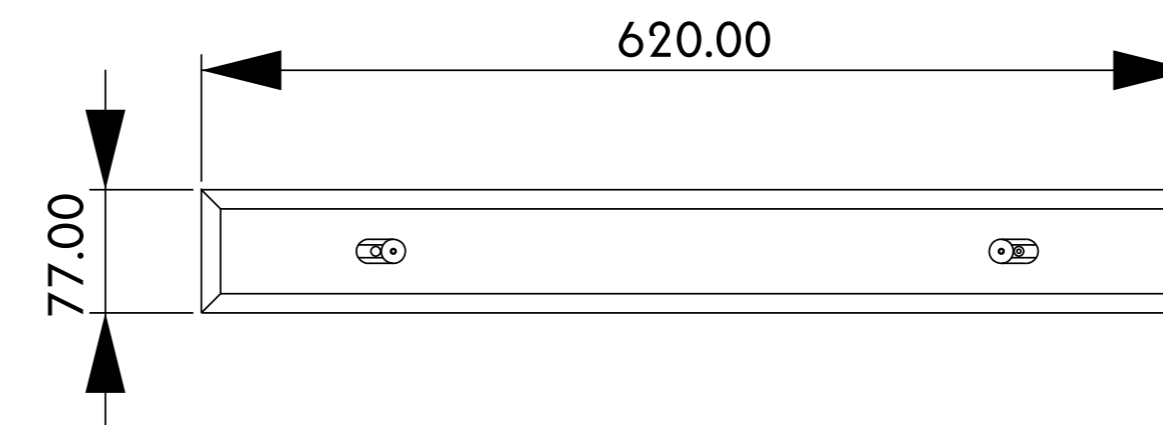
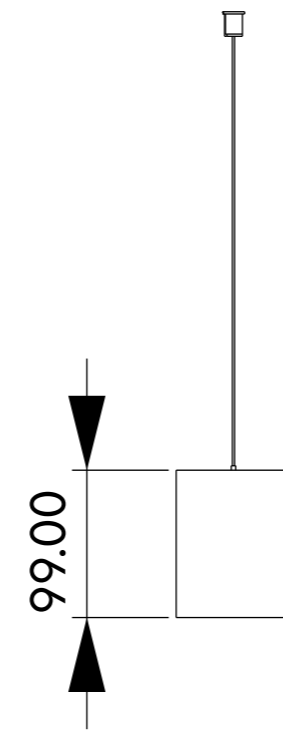
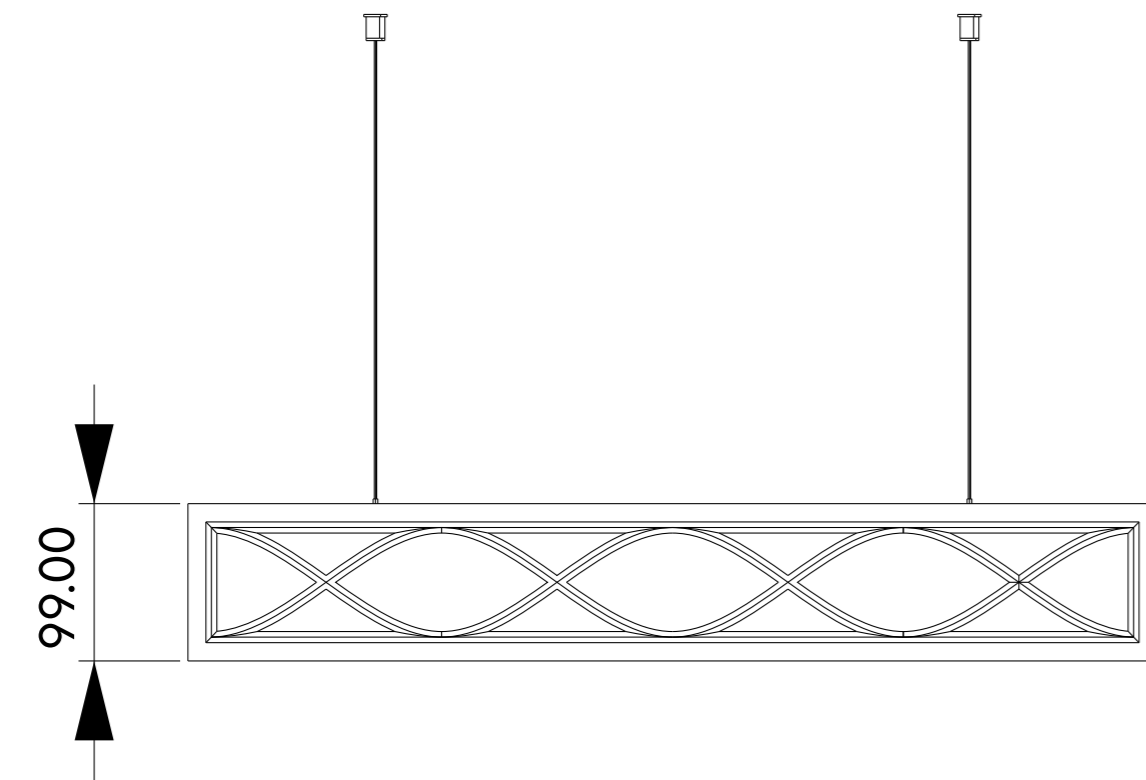


Op. 3: Large

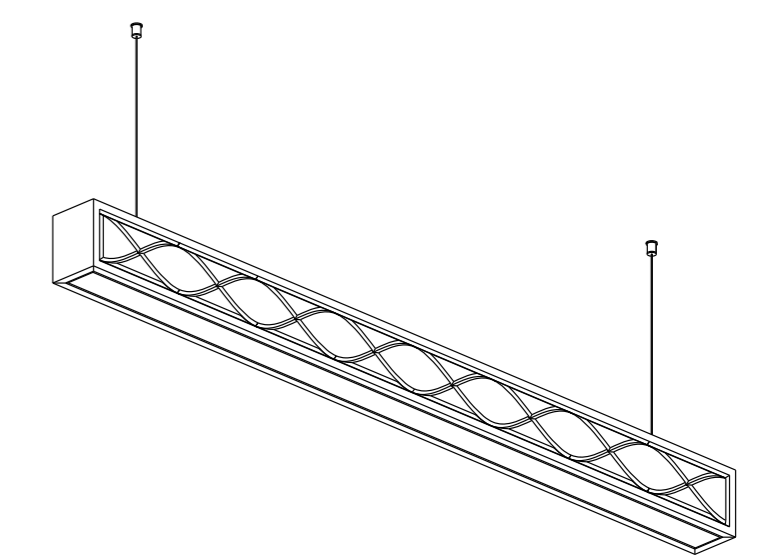
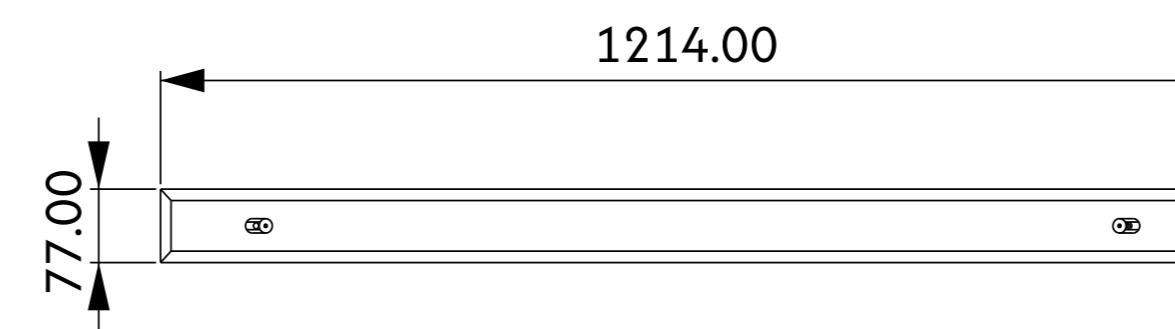
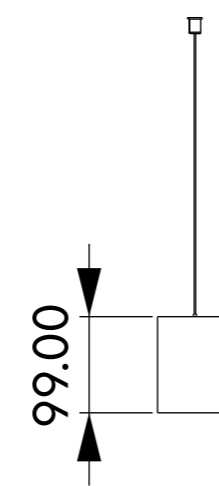
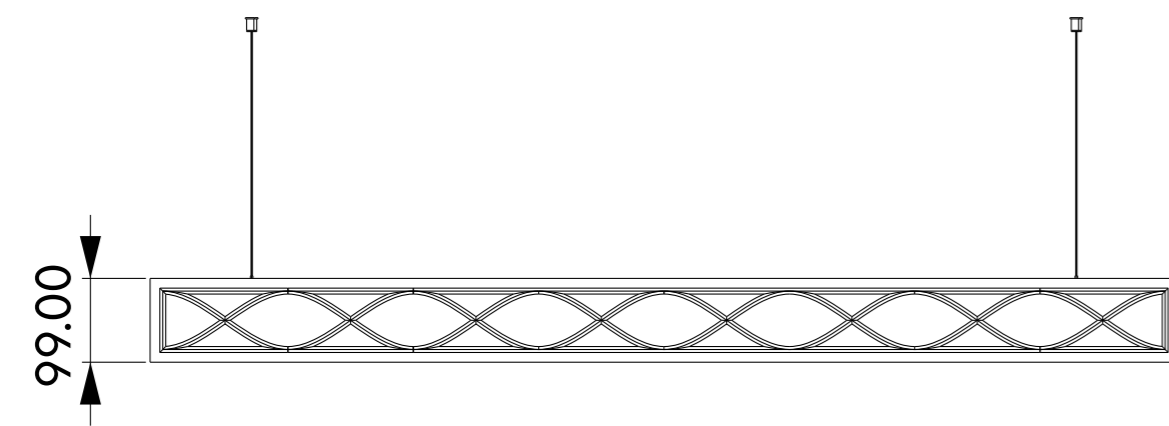


Beam - Spiral

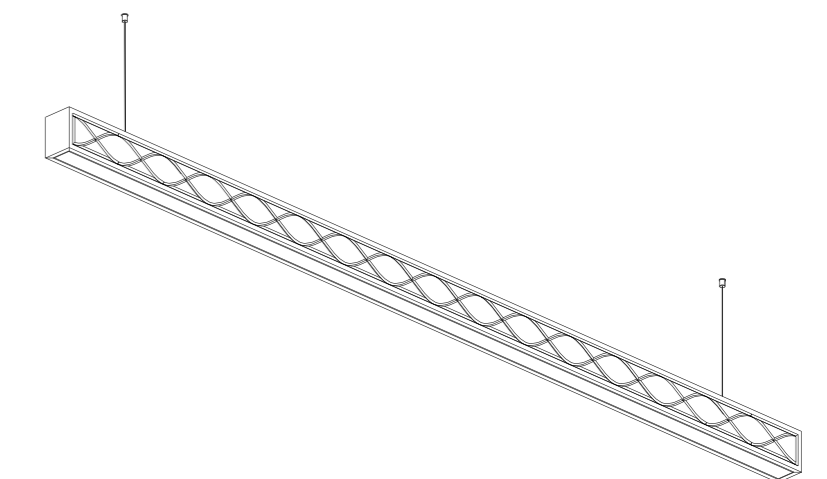
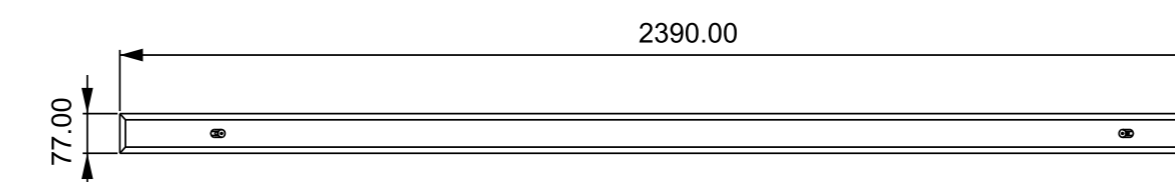
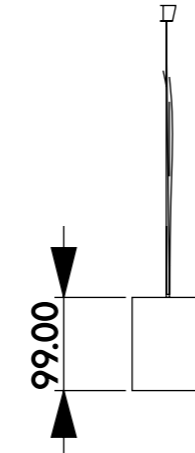
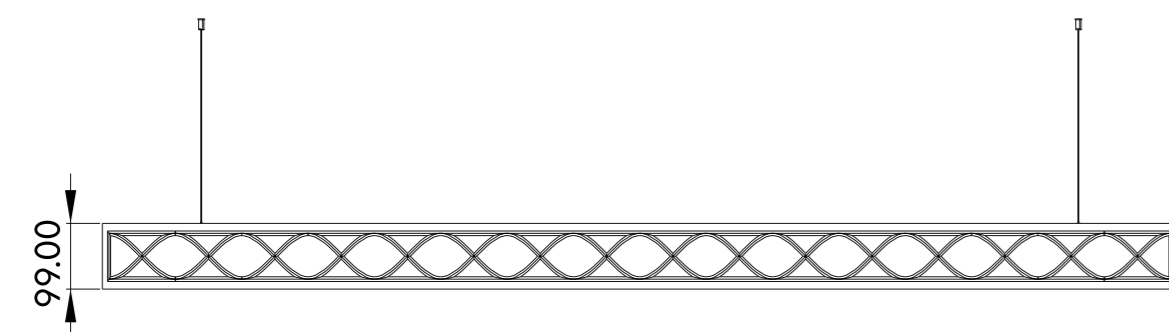
Op. 1: Small



Op. 2: Medium

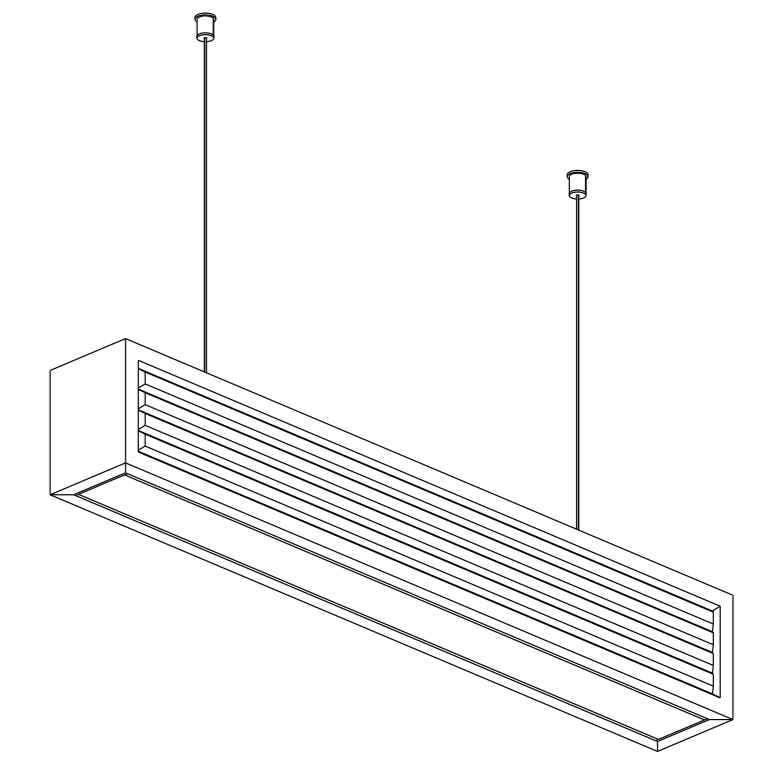
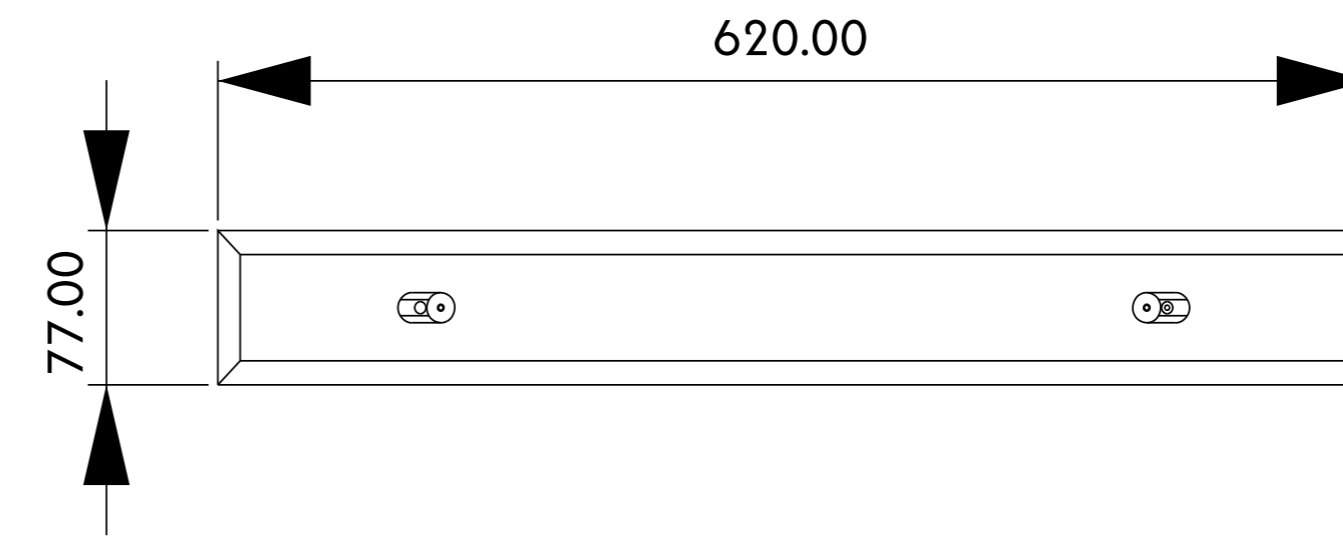
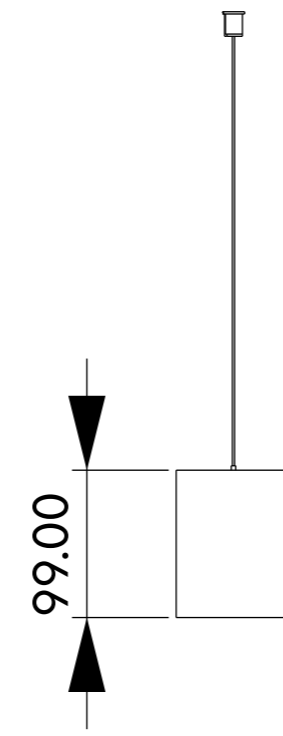
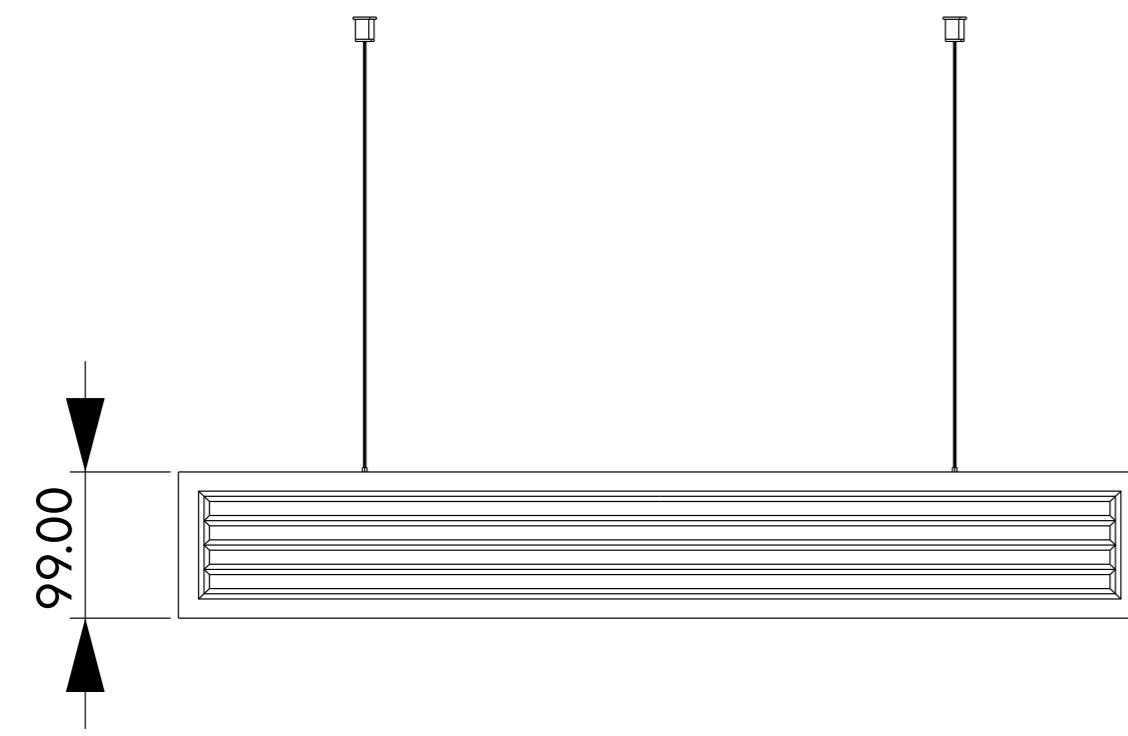


Op. 3: Large

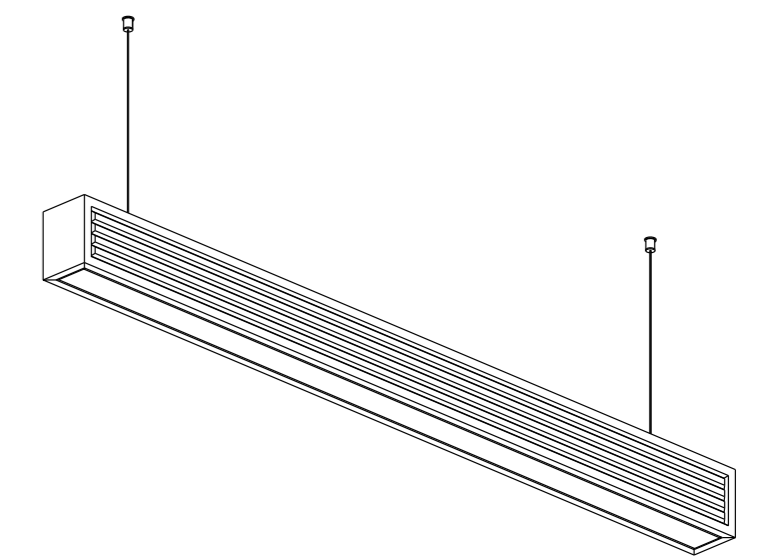
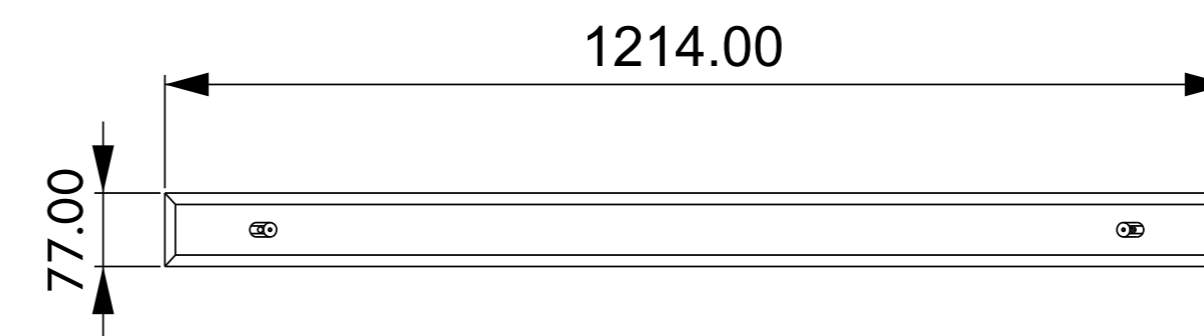
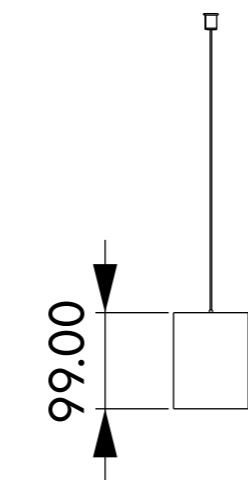


Beam - Horizontal

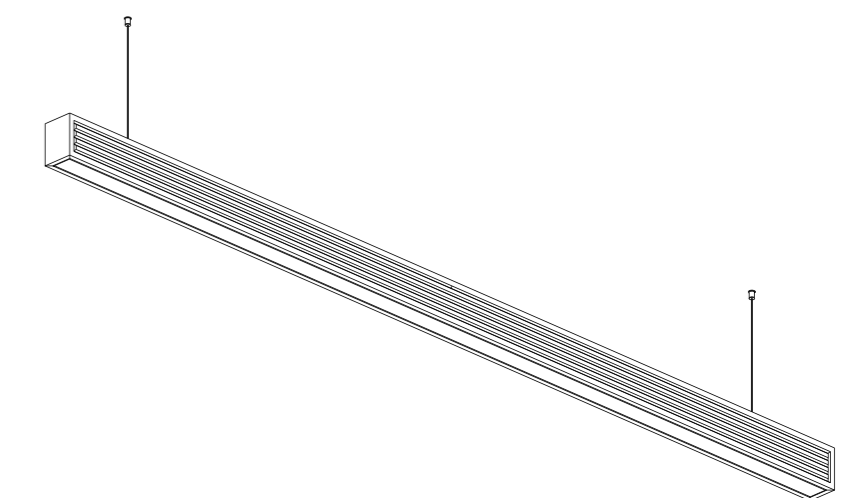
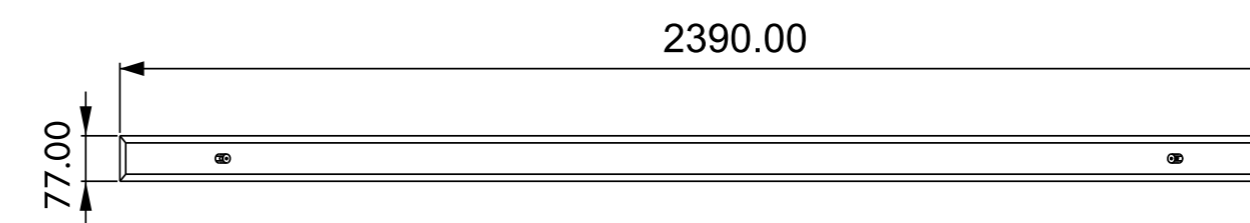
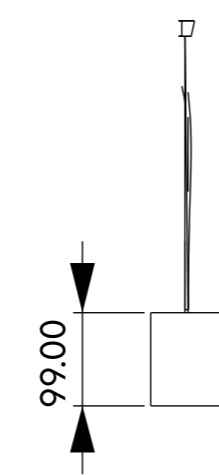
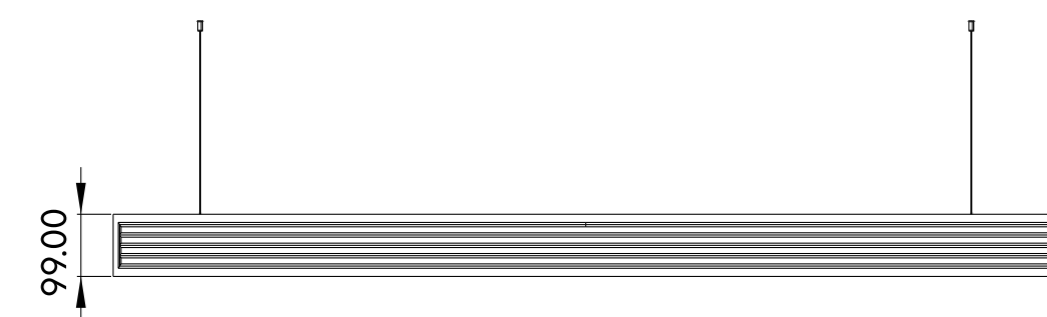
Op. 1: Small



Op. 2: Medium

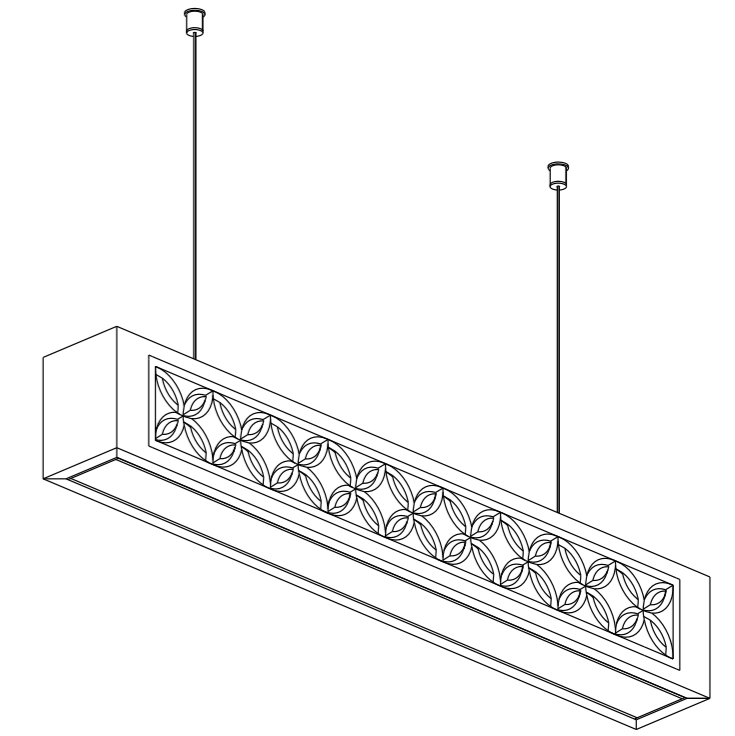
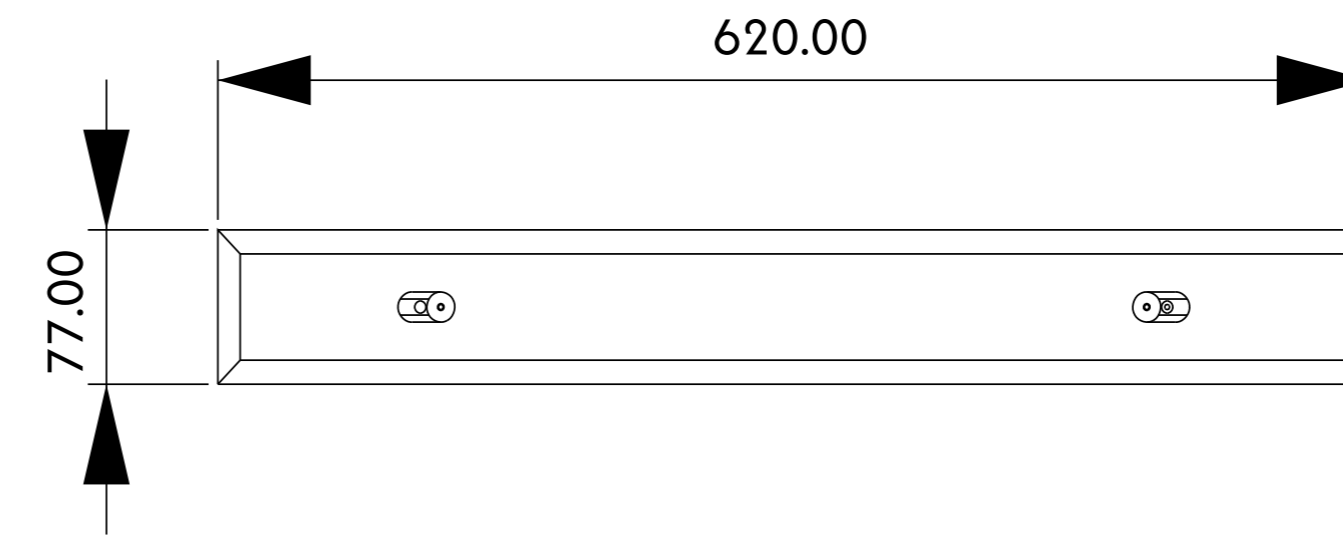
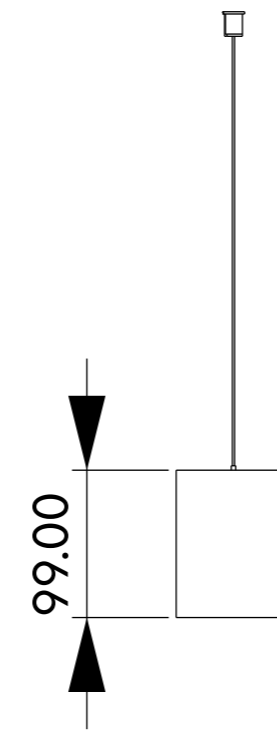
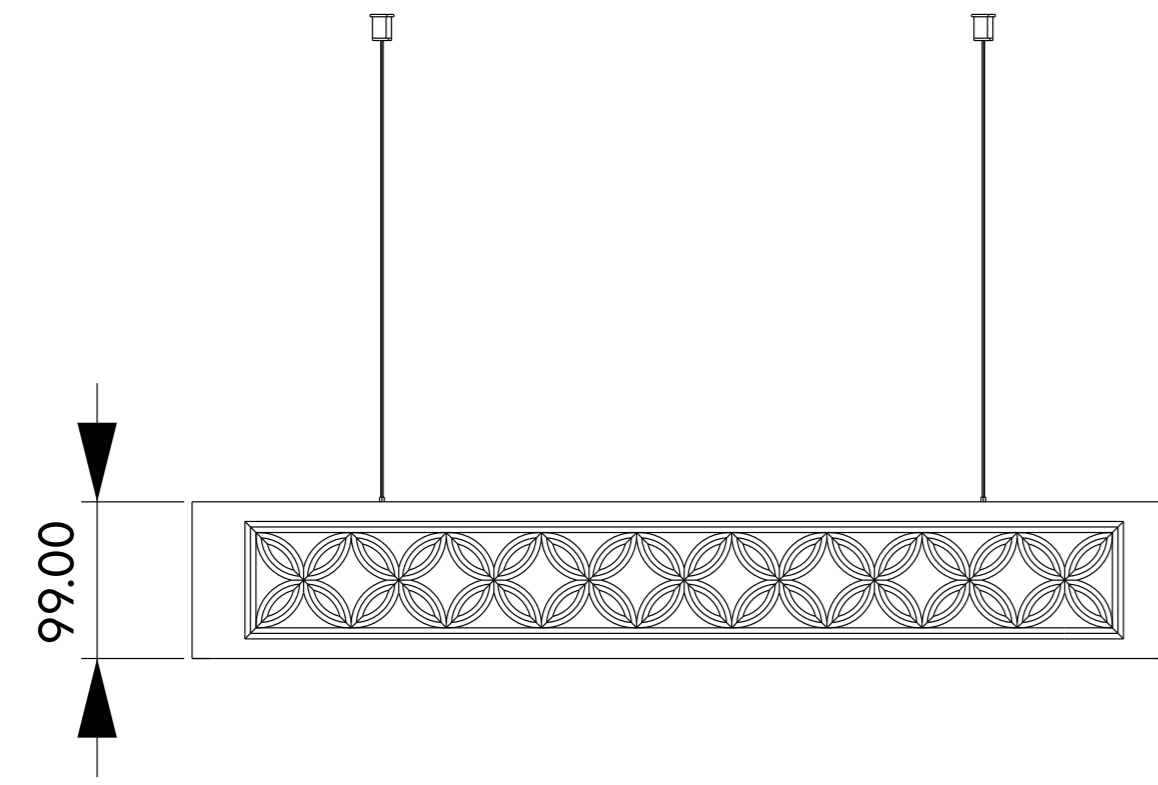


Op. 3: Large

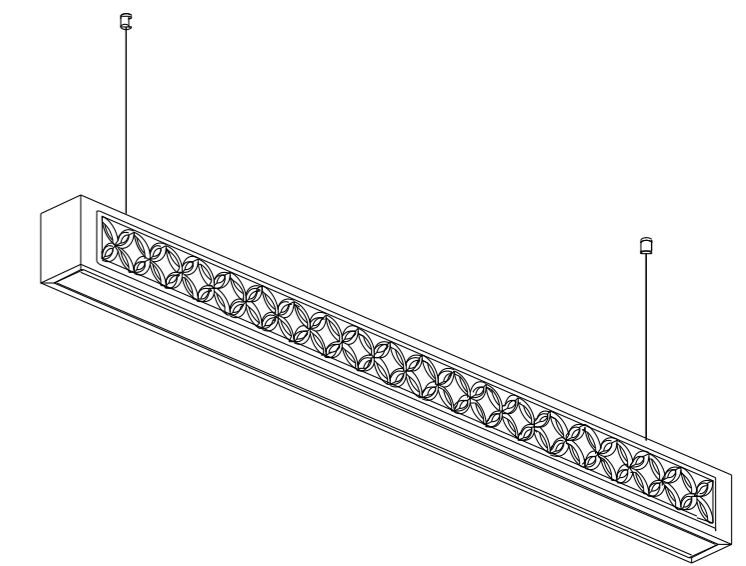
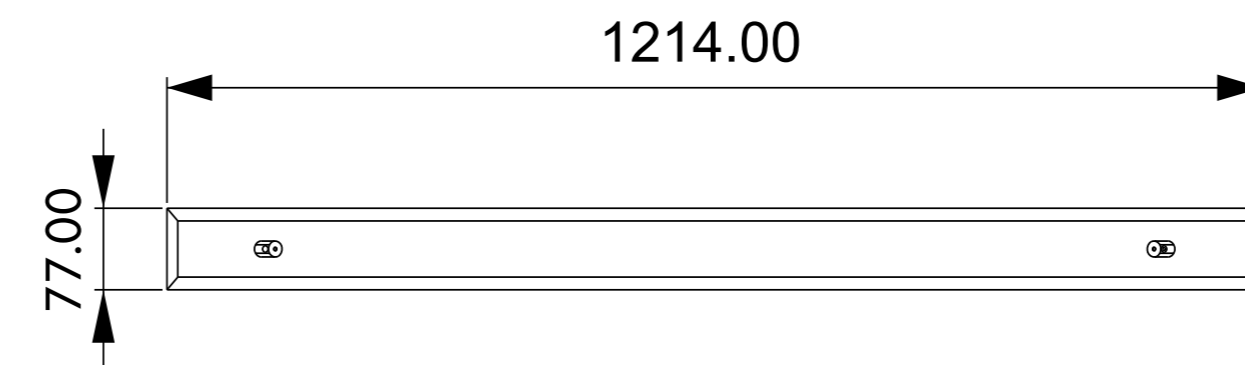
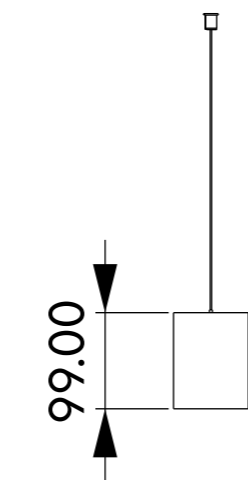
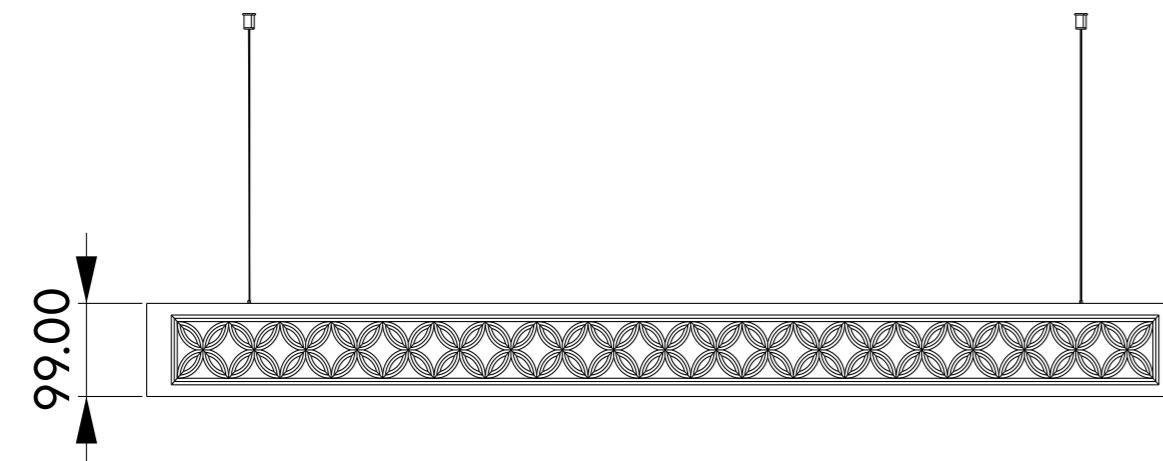


Beam - Flower

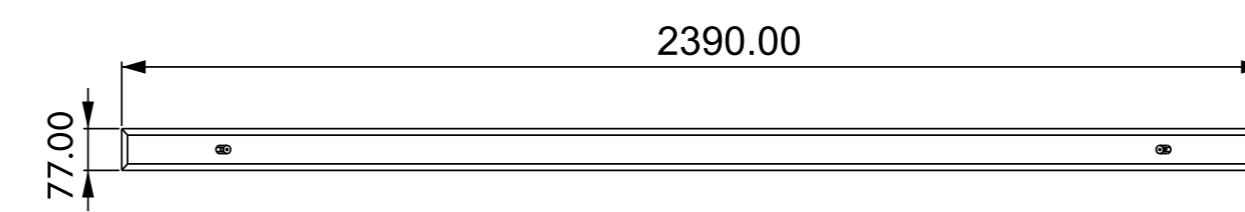
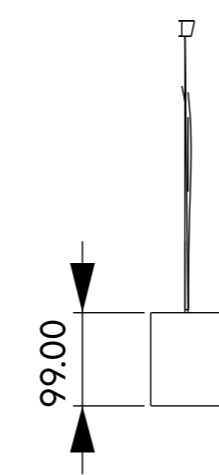
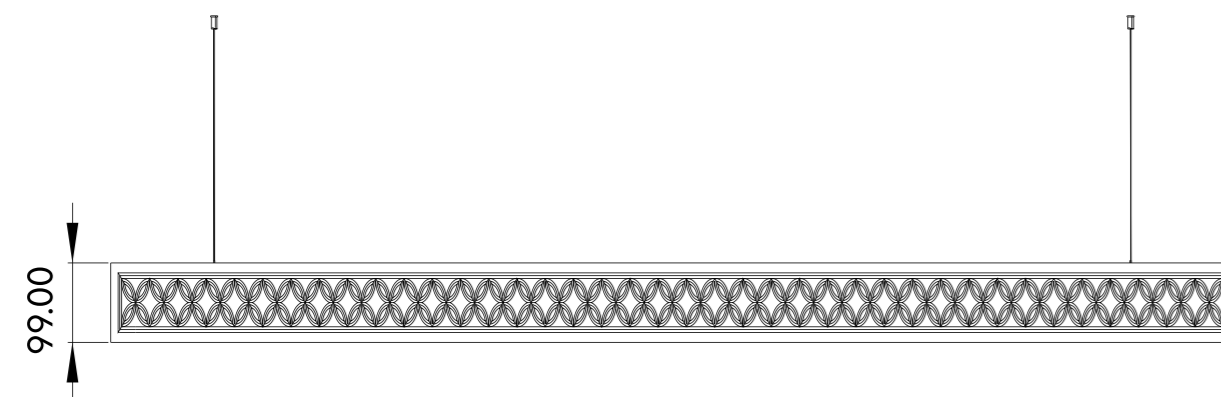
Op. 1: Small



Op. 2: Medium



Op. 3: Large



Light Technicals

Construction	:	Aluminum
Diffuser	:	PMMA
UGR	:	<19
Life Span	:	50000 hours
Color Consistency	:	3 SDCM
Drivers	:	Constant current
Driver type	:	ON/OFF, Dimmable version available on request
Operating Voltage	:	220-240 V
CRI	:	80/90
CCT	:	3000K, 4000K, 6000K
Performance (LED)	:	Based on 4000K
• (S) : L-595 mm	:	12W / 1440 lm, 15W / 1800 lm, 18W / 2160 lm
• (M) : L-1190 mm	:	24W / 2880 lm, 30W / 3600 lm, 36W / 4320 lm
• (L) : L-2365 mm	:	48W / 5760 lm, 60W / 7200 lm, 72W / 8640 lm

Performance

Fire Resistance:

ASTM E84- 2021 | Flame Spread Index: Class 1 or A |
Smoke Developed Index: Class 1 or A
BS/EN 13501-1:2018 | Classification: B-s1, d0
AS/NZS 1530.3:1999 | Flame Spread Index: 0 |
Smoke Index: 2

VOC Emissions

CDPH Standard Method v1.2 | Section 01350 –
Low-emitting materials for schools and offices

Sustainability

Certifications & Compliance:

- LEED v4: Supports EQ Credit (Low-Emitting Materials)
- Certified Low VOC materials
- EPD & HPD certified
- Declare Label compliant
- USGBC LEED compliant



COLORLINE

PLAIN



Composition	100% PET (60% Recycle Content)
Thickness	12 mm ($\pm 10\%$), 24 mm ($\pm 10\%$)
Flammability	class 1 or A (ASTM E84)
Smoke Development Index	288 (ASTM E84)

 info@sensesakustik.com

 www.sensesakustik.com