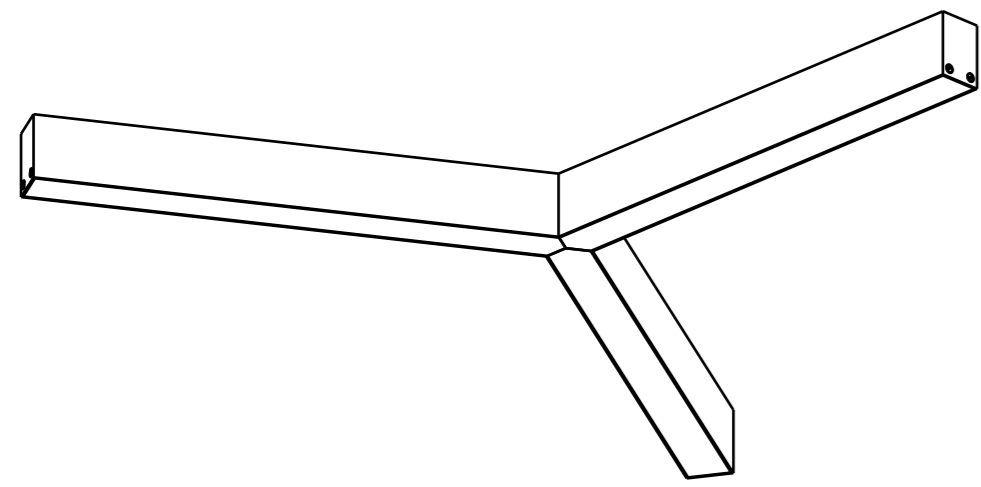


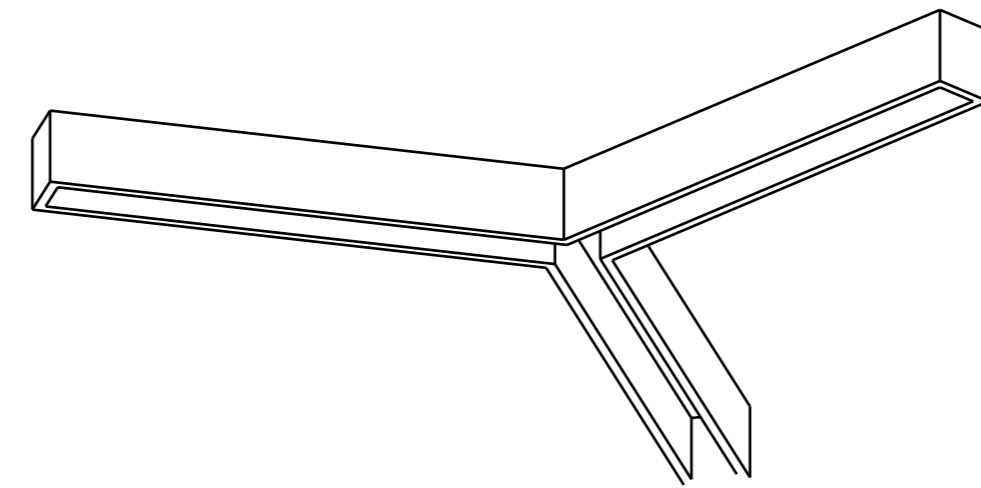


Installation Steps

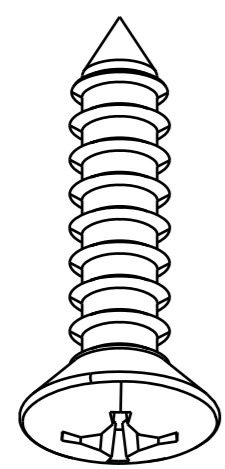
Part Overview



Branch



Branch with light



Self Tapping
Screw M4 x 38 (3 nos)

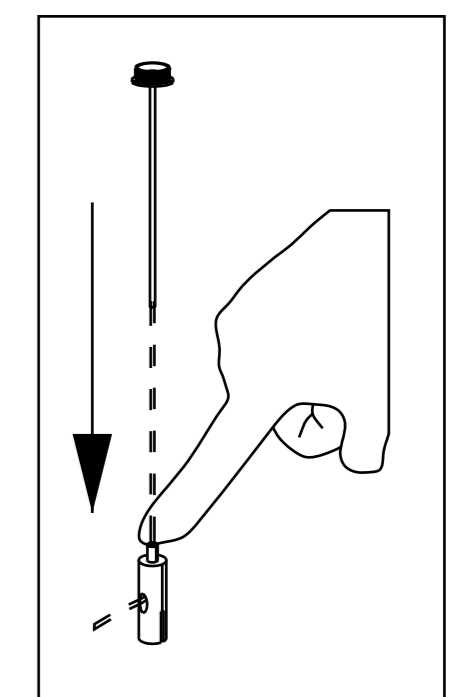
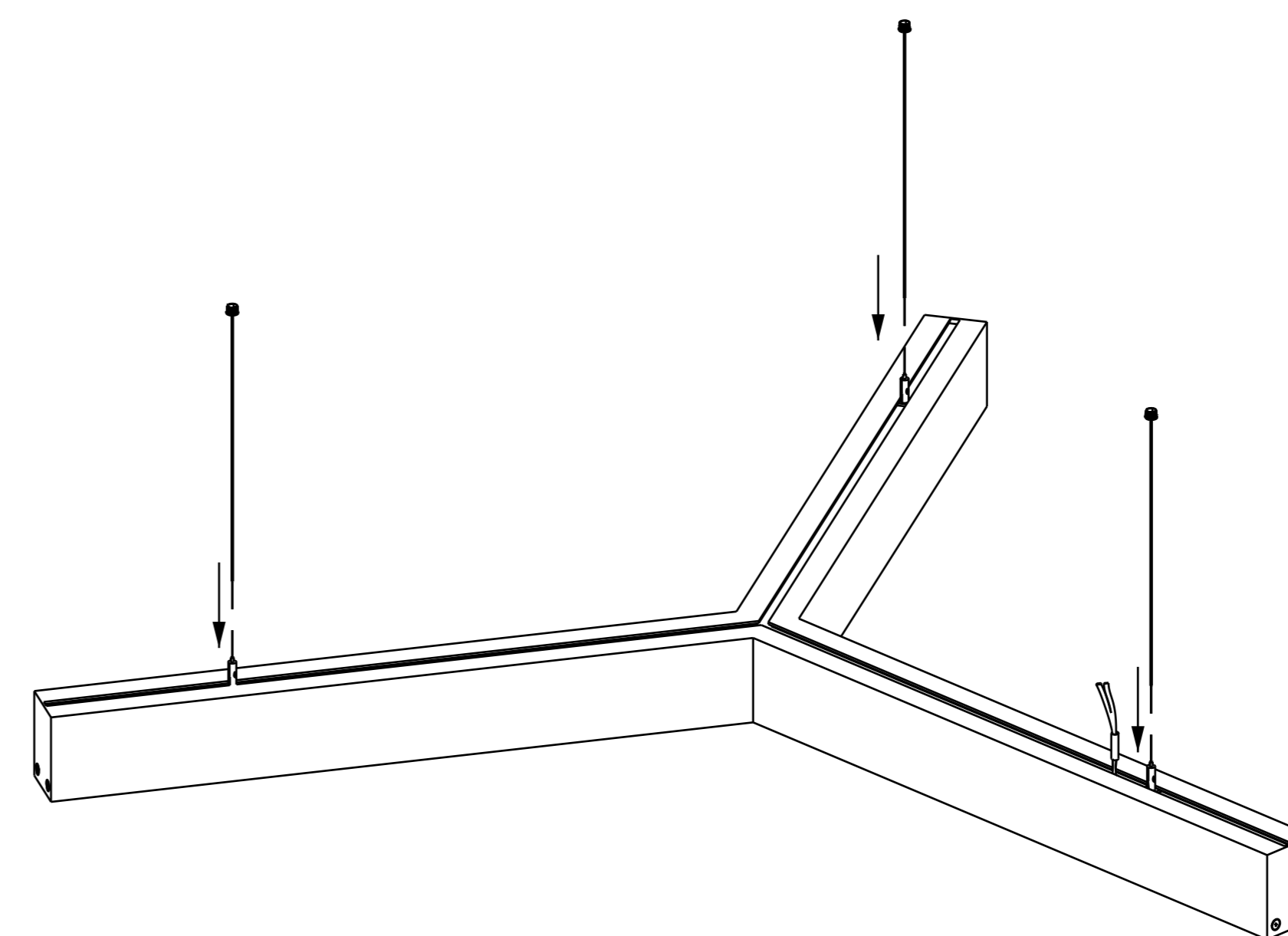
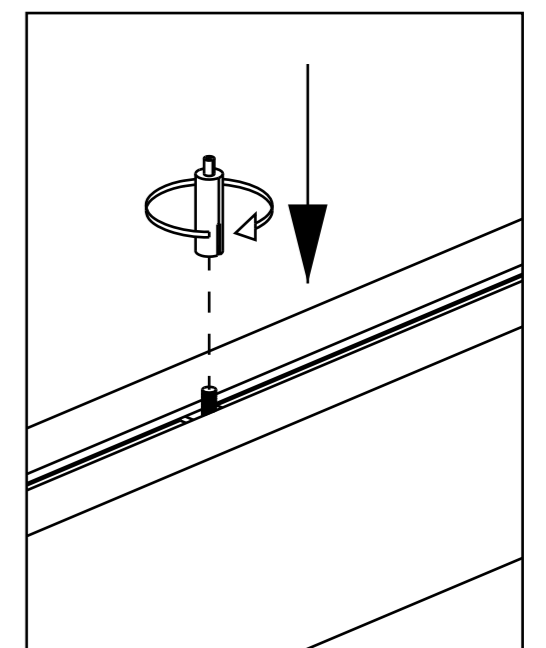
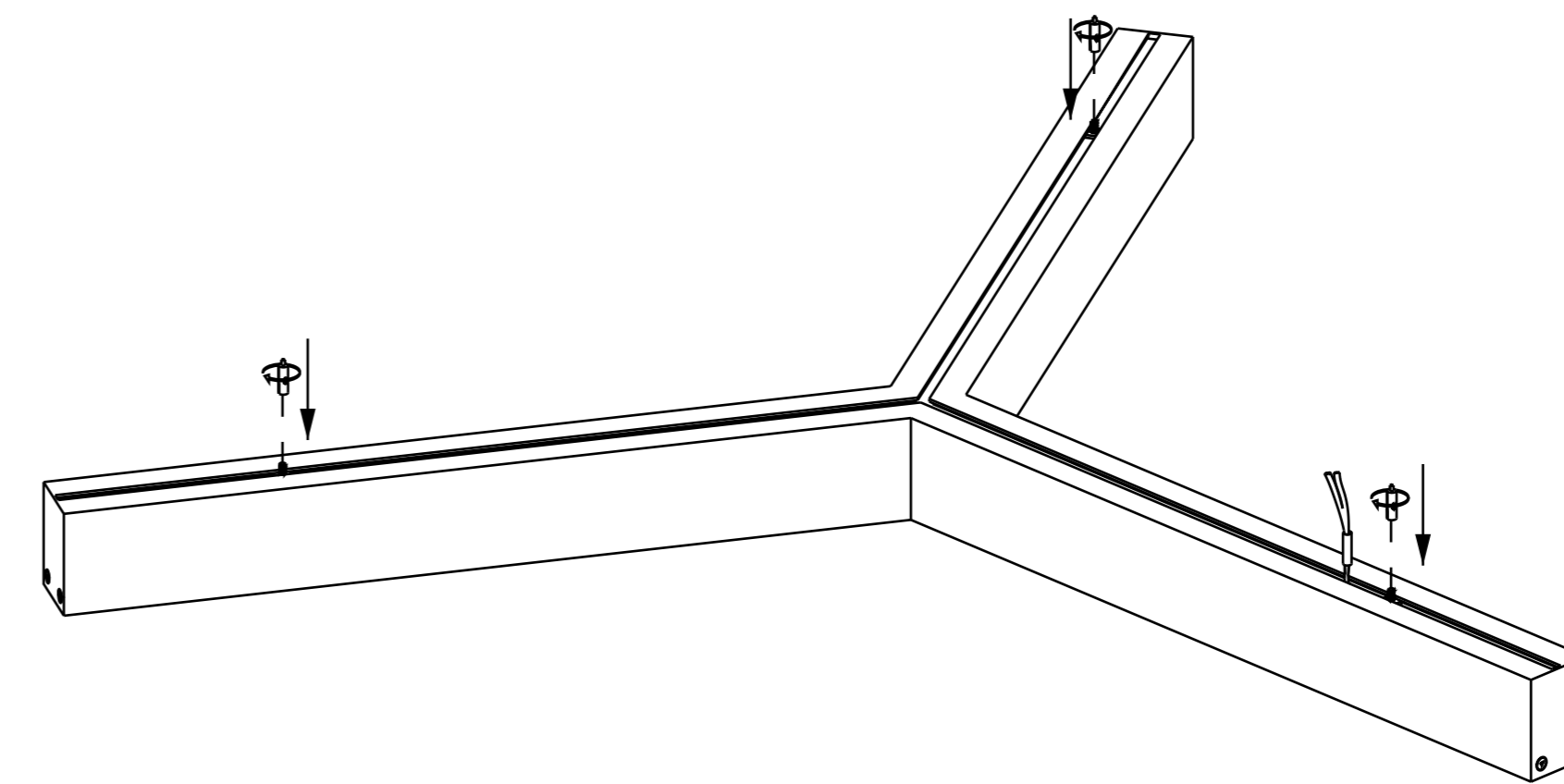


Top Bottom Hardware
(3 set)

Assembly

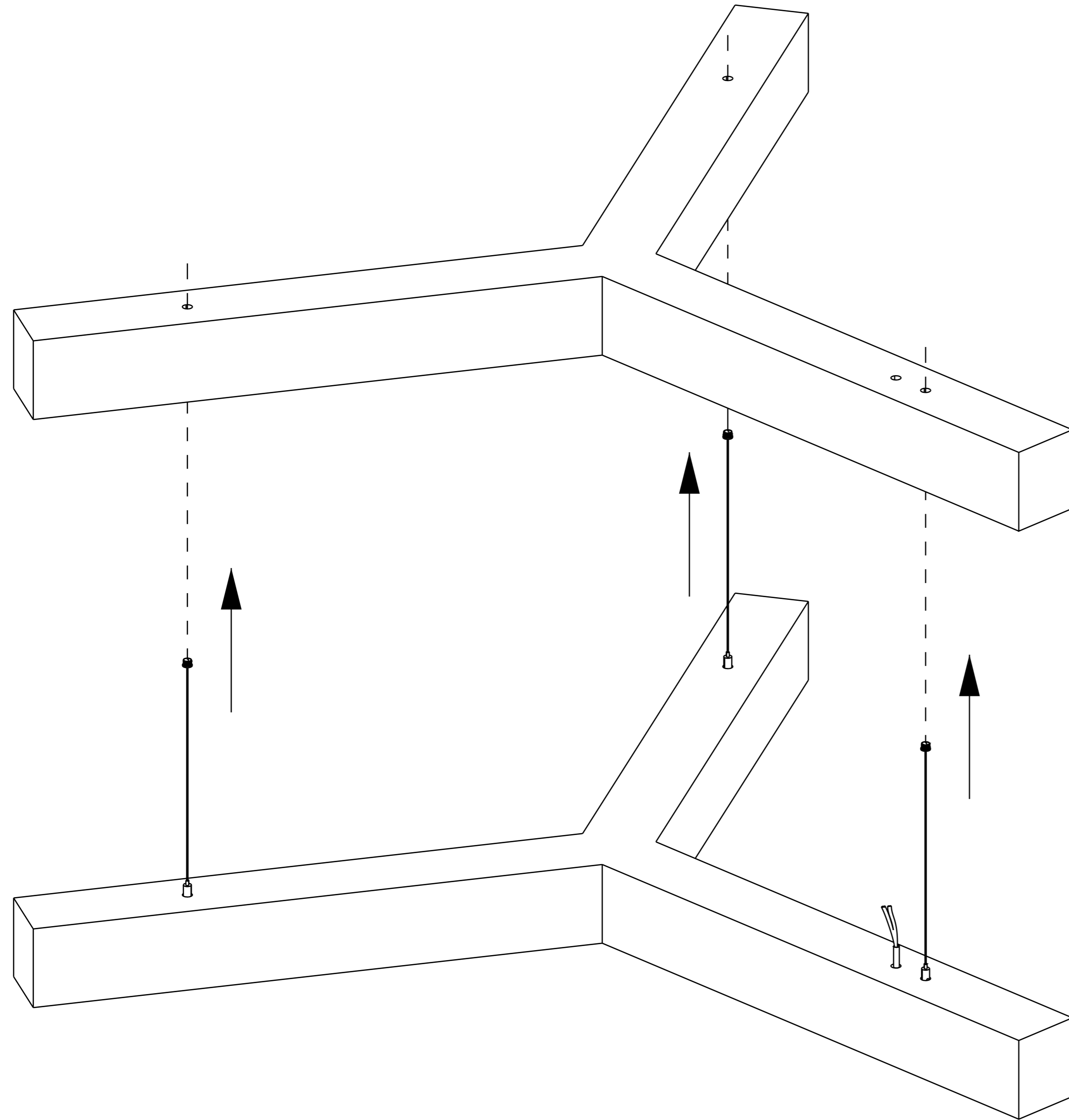
Step A:

Attach the bottom hardware by rotating it as shown in the illustration. Press the button and route the hardware as indicated in the close-up view.



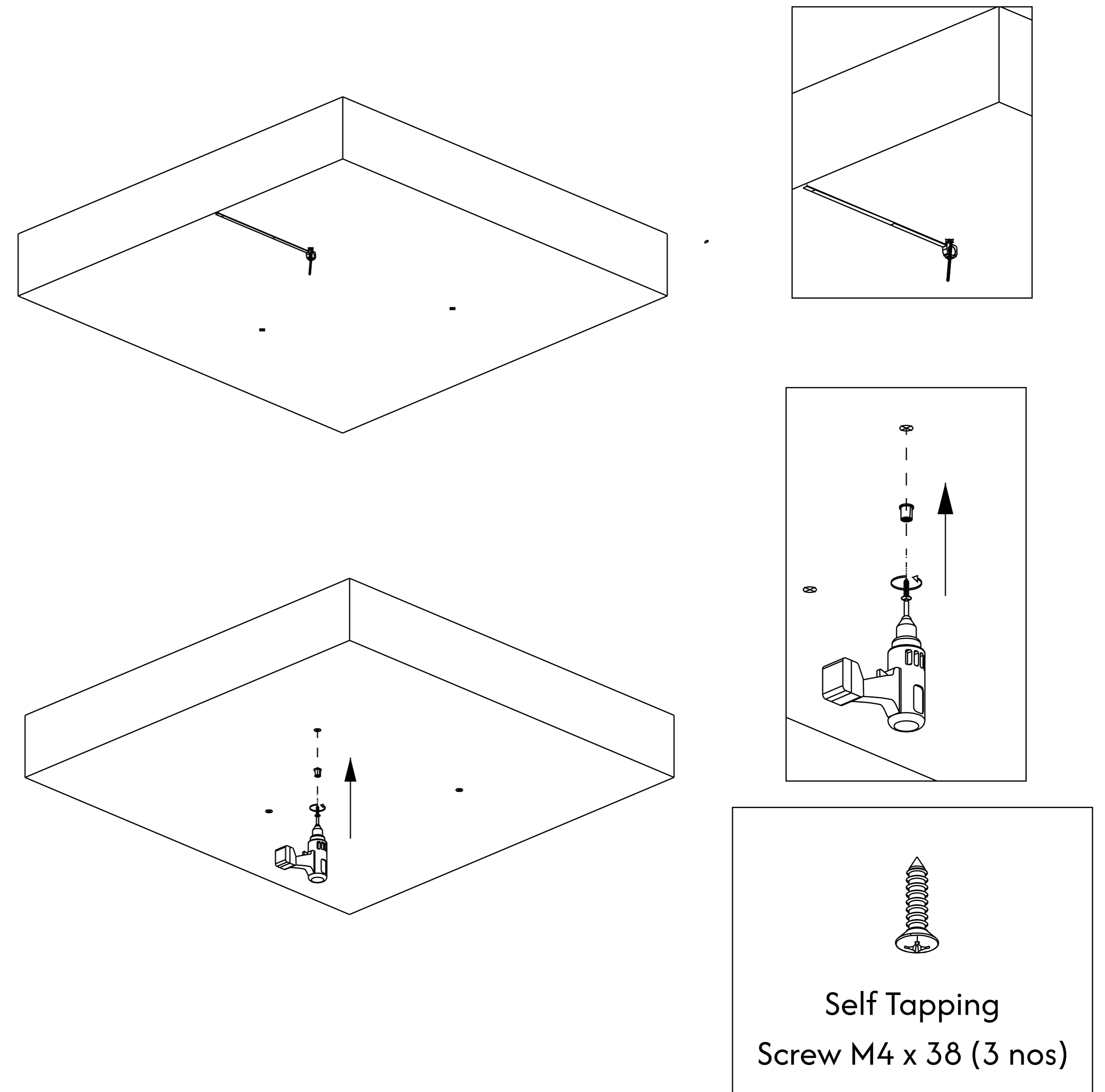
Step B:

Route the cable through the bottom of the light baffle and install as indicated.



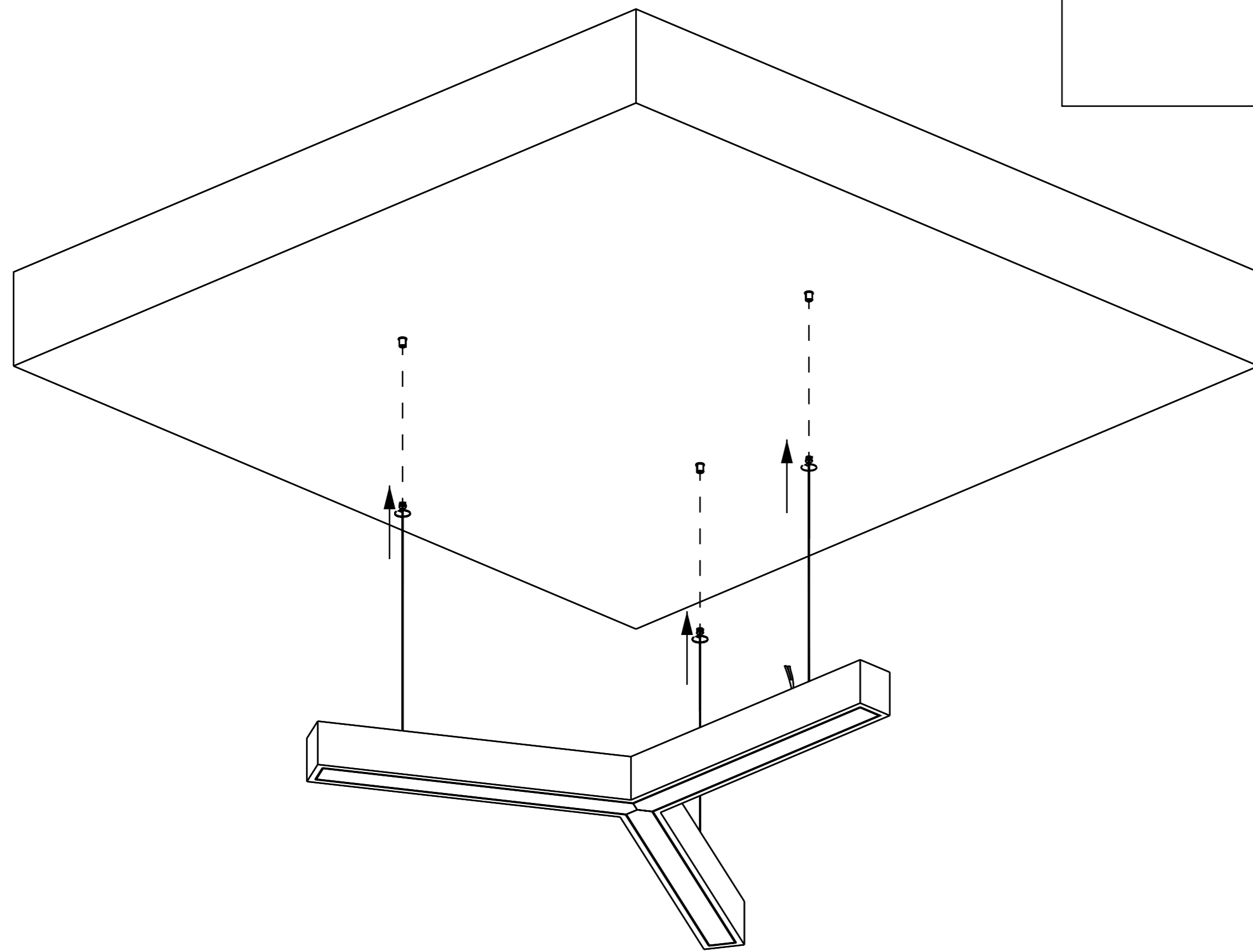
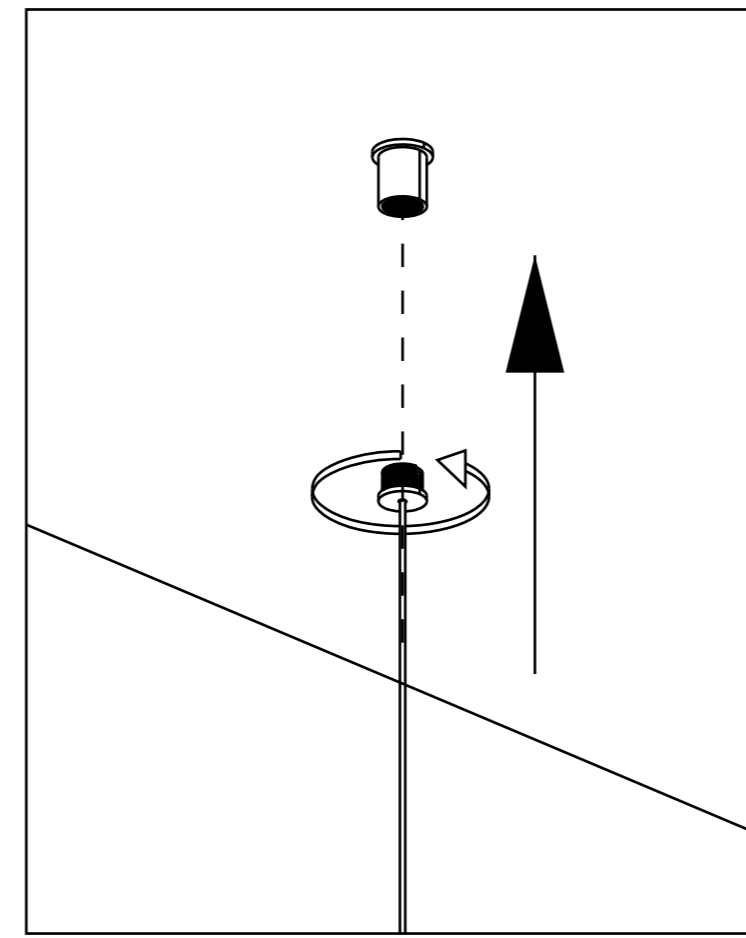
Step C:

Mark the position on the ceiling using a measuring tape. Secure the top hardware to the ceiling as shown in the illustration.



Step D:

Attach the baffle light to the hardware as shown in the close-up view.



 info@sensesakustik.com

 www.sensesakustik.com