



# Technical Specifications

## Composition

Base 100% PET (60% Recycled Content)

Applications Ceiling Mounted

Accessories Clutch Wire Systems

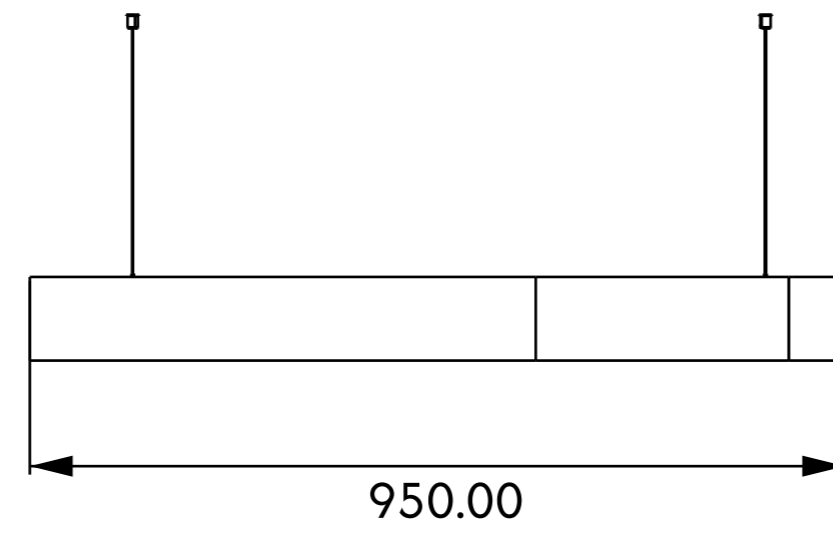
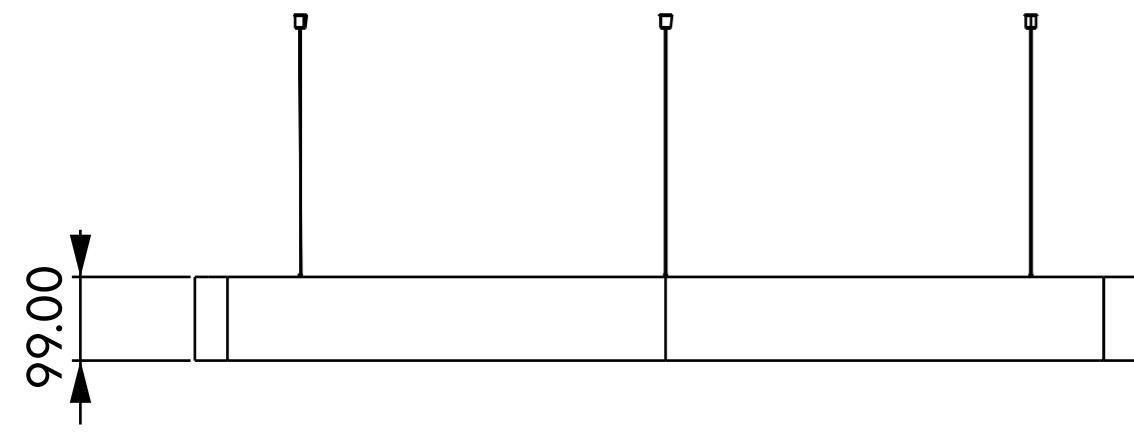
## Dimensions

- (S) : Ø1224 x 76 x 99 mm (L x T x H)
- (L) : Ø2424 x 76 x 99 mm (L x T x H)

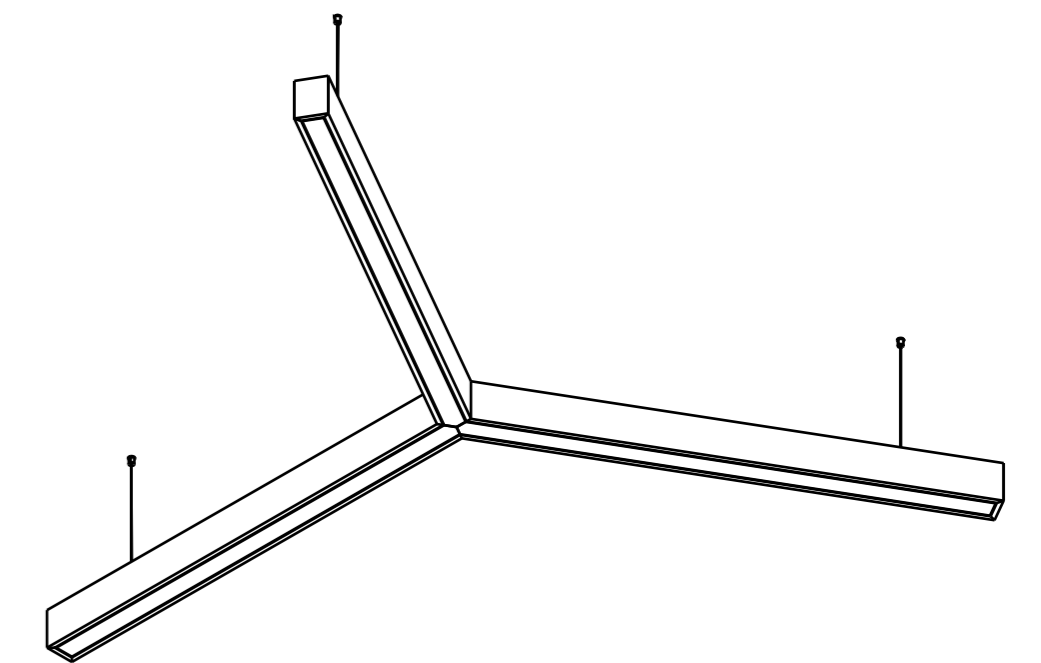
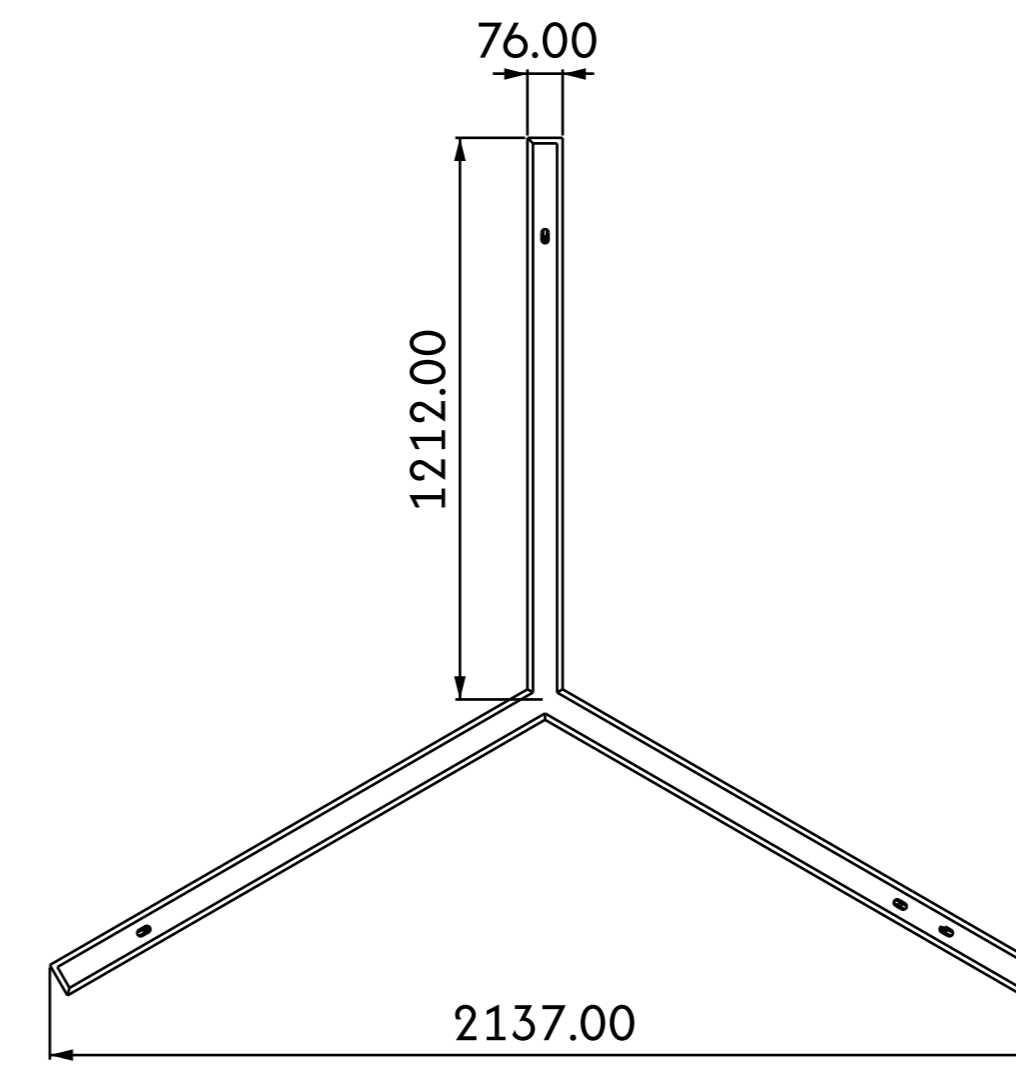
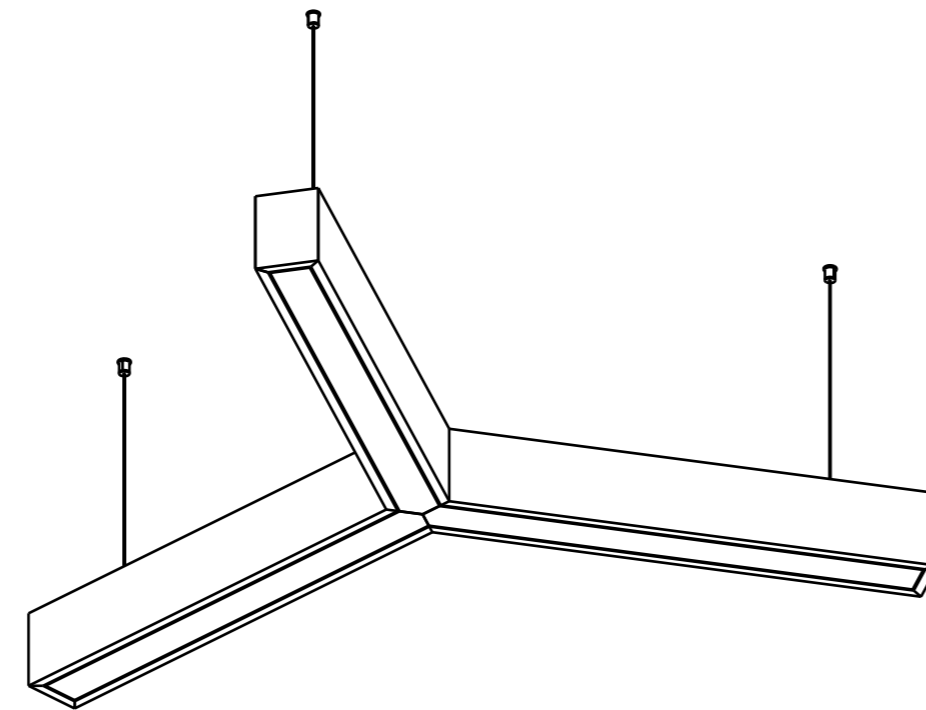
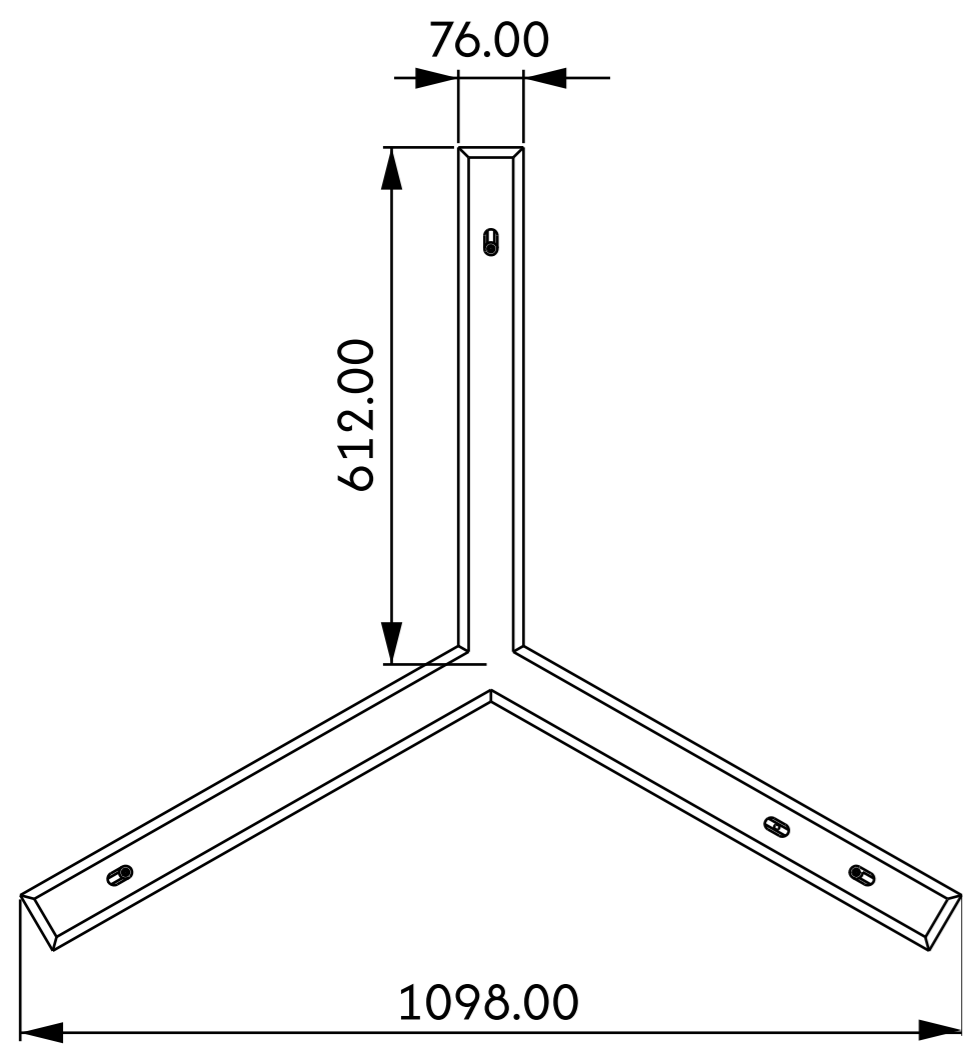
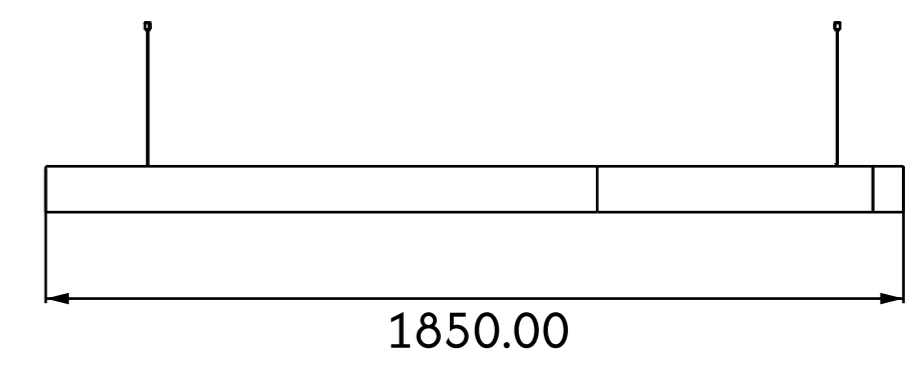
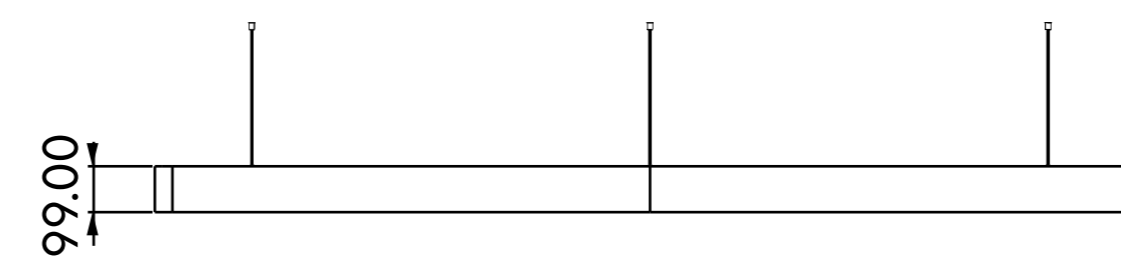


# Product Drawings

## Branch - Small



## Branch - Large



## Light Technicals

Construction	:	Aluminum
Diffuser	:	PMMA
UGR	:	<19
Life Span	:	50000 hours
Color Consistency	:	3 SDCM
Drivers	:	Constant current
Driver type	:	ON/OFF, Dimmable version available on request
Operating Voltage	:	220 - 240 V
CRI	:	80/90
CCT	:	3000K, 4000K, 6000K
Performance (LED)	:	Based On 4000K
• (S): R590 mm	:	30W / 3600 lm
• (L): R1190 mm	:	90W / 10800 lm

## Performance

**Fire Resistance:** ASTM E84- 2021 | Flame Spread Index: Class 1 or A | Smoke Developed Index: Class 1 or A  
BS EN 13501-1:2018 | Classification: B – s1, d0  
AS/NZS 1530.3:1999| Flame Spread Index: 0 | Smoke Index: 2

**VOC Emissions** CDPH Standard Method v1.2 | Section 01350 – Low-emitting materials for schools and offices

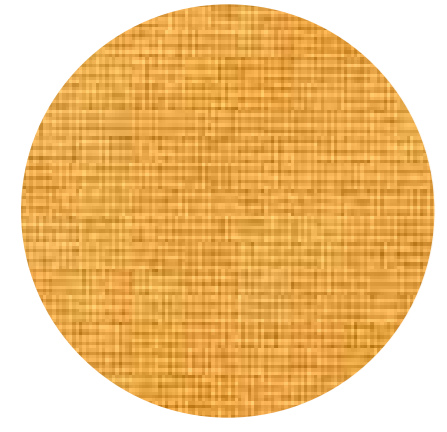
**Sustainability** Certifications & Compliance:

- LEED v4: Supports EQ Credit (Low-Emitting Materials)
- Certified Low VOC materials
- EPD & HPD certified
- Declare Label compliant
- USGBC LEED compliant



## COLORLINE

### PLAIN



<b>Composition</b>	100% PET (60% Recycle Content)
<b>Thickness</b>	12 mm ( $\pm 10\%$ ), 24 mm ( $\pm 10\%$ )
<b>Flammability</b>	class 1 or A (ASTM E84)
<b>Smoke Development Index</b>	288 (ASTM E84)

 [info@sensesakustik.com](mailto:info@sensesakustik.com)

 [www.sensesakustik.com](http://www.sensesakustik.com)