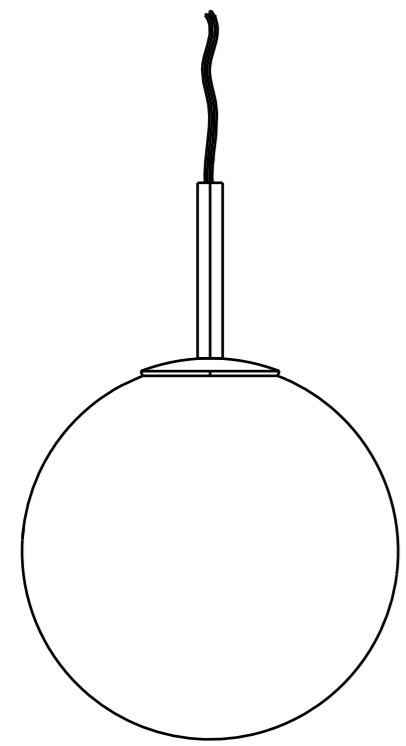


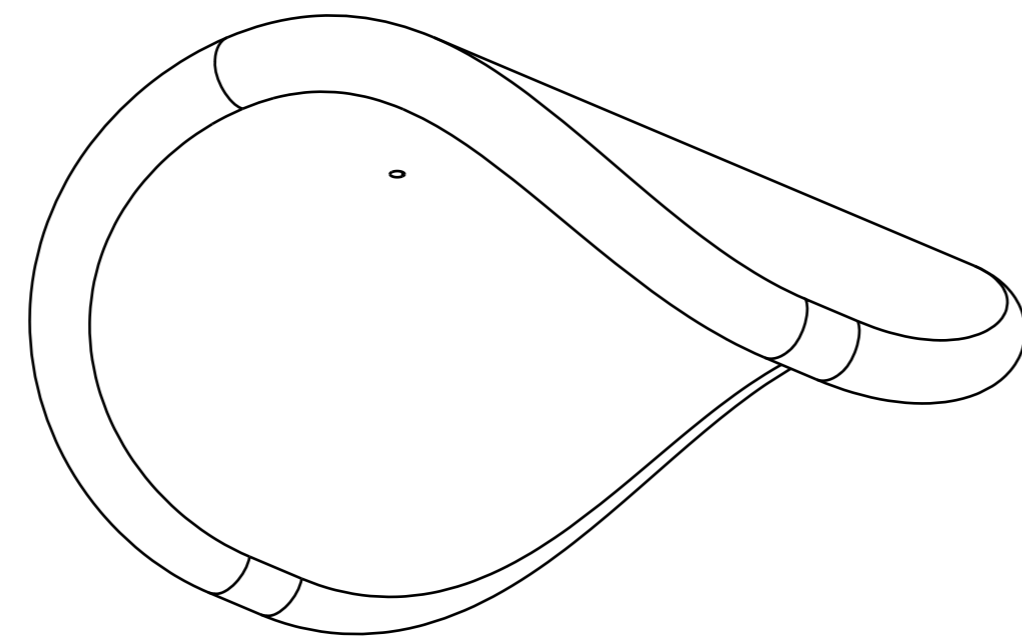


Installation Steps

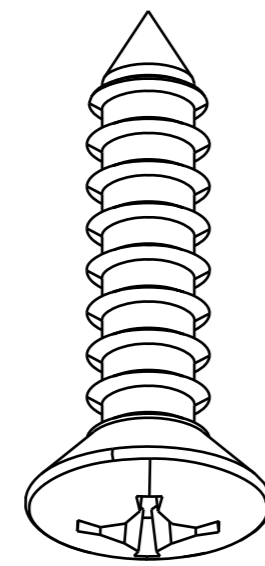
Part Overview



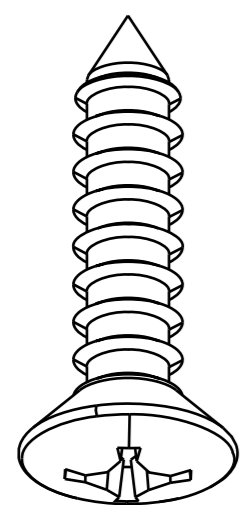
Cuba



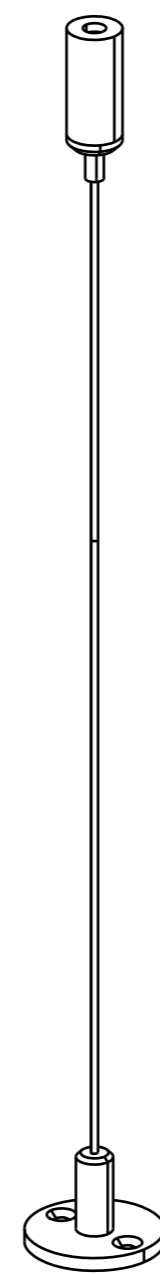
Cuba Baffle



Self Tapping
Screw M2.9 x 16 (4 nos)



Self Tapping
Screw M4 x 38 (2 nos)

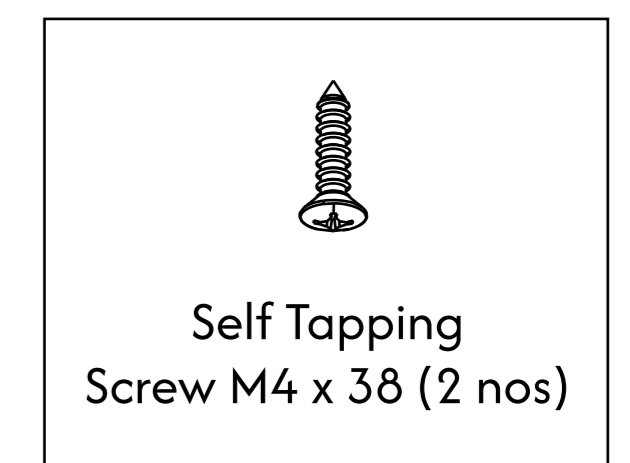
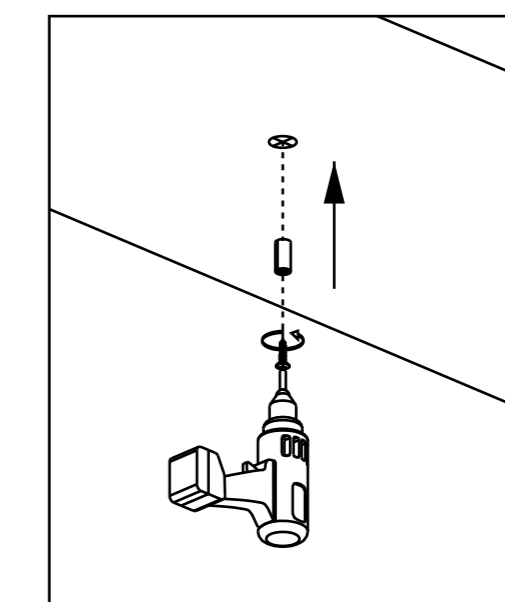
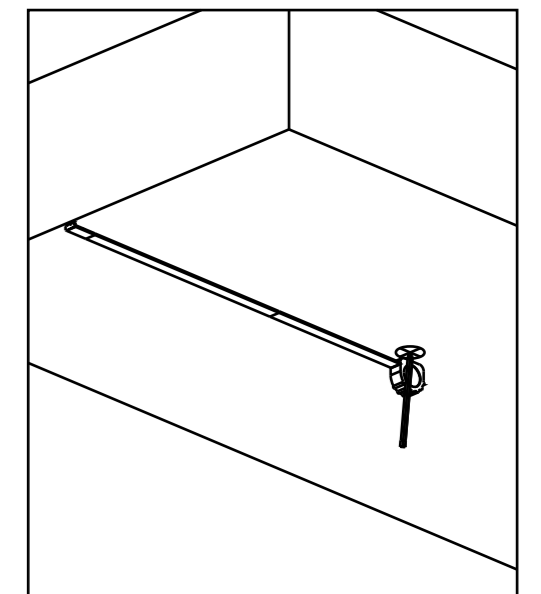
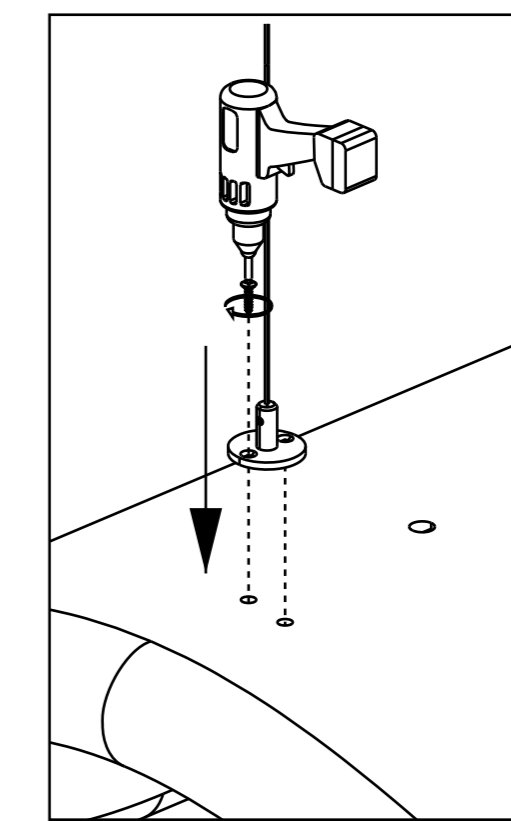
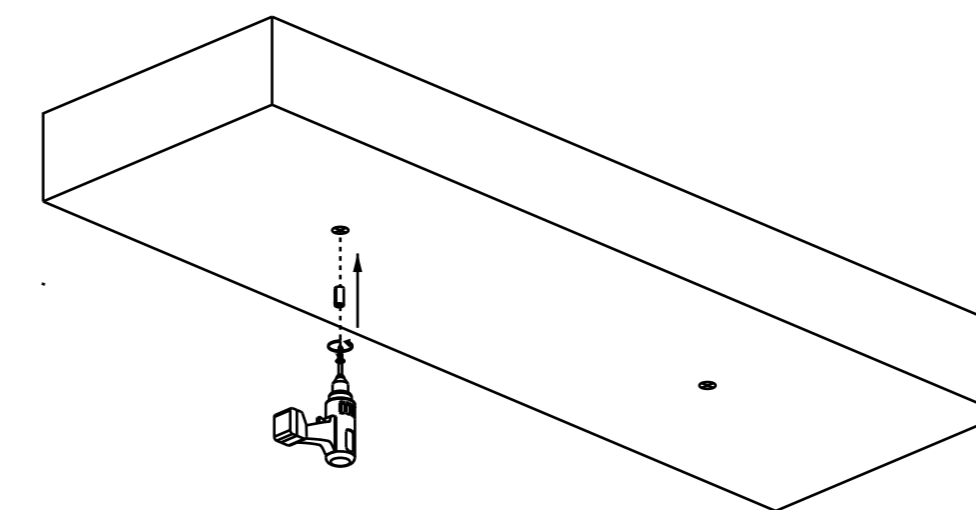
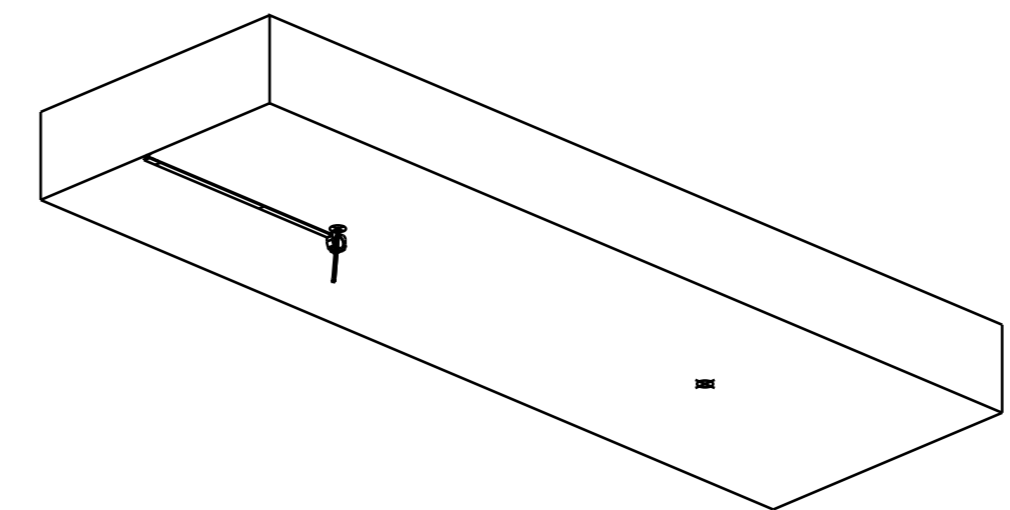
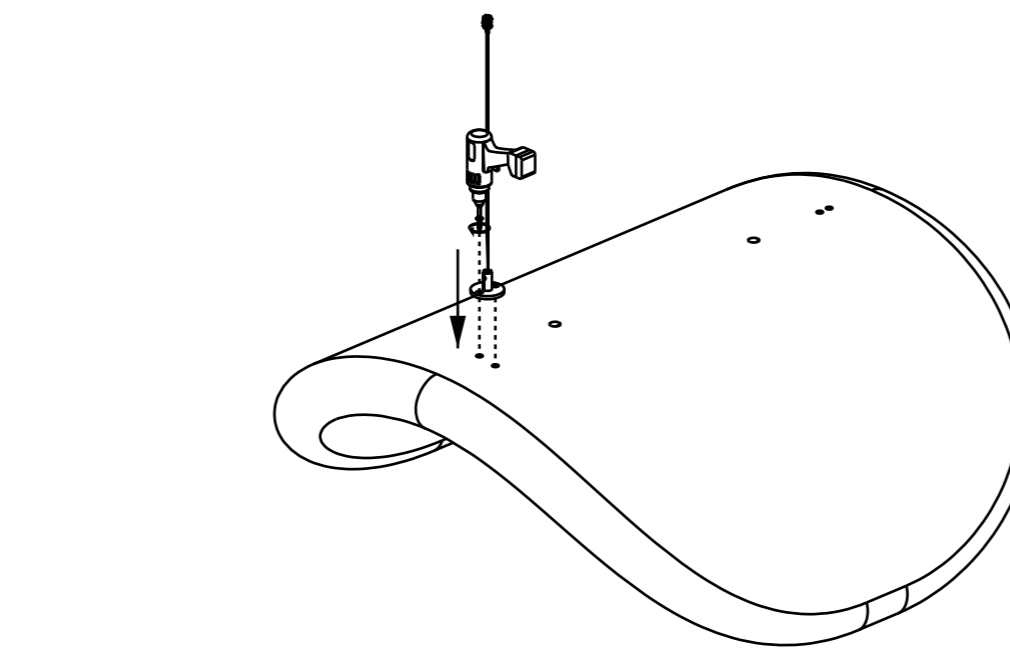


Top Bottom Hardware
(2 set)

Assembly

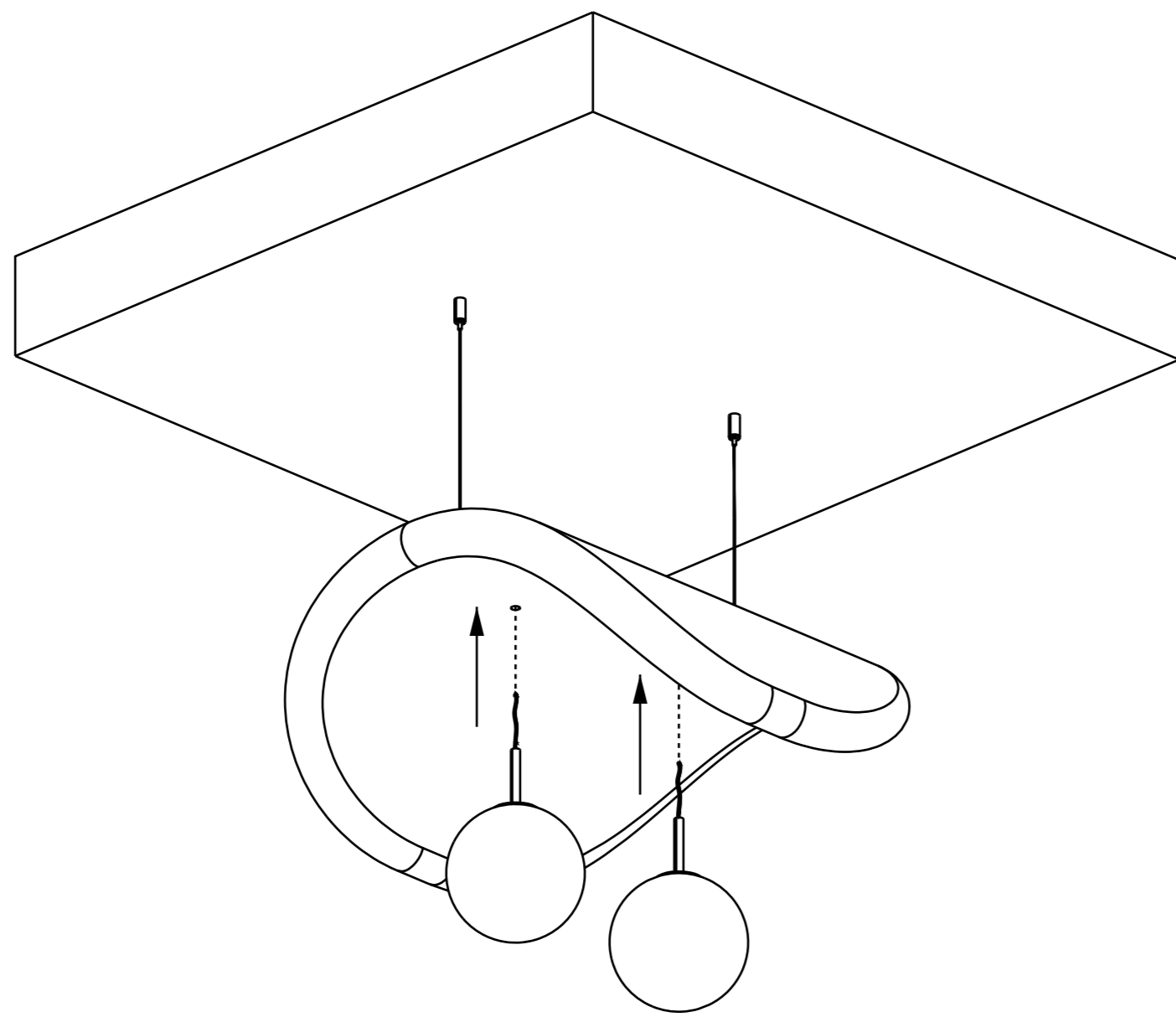
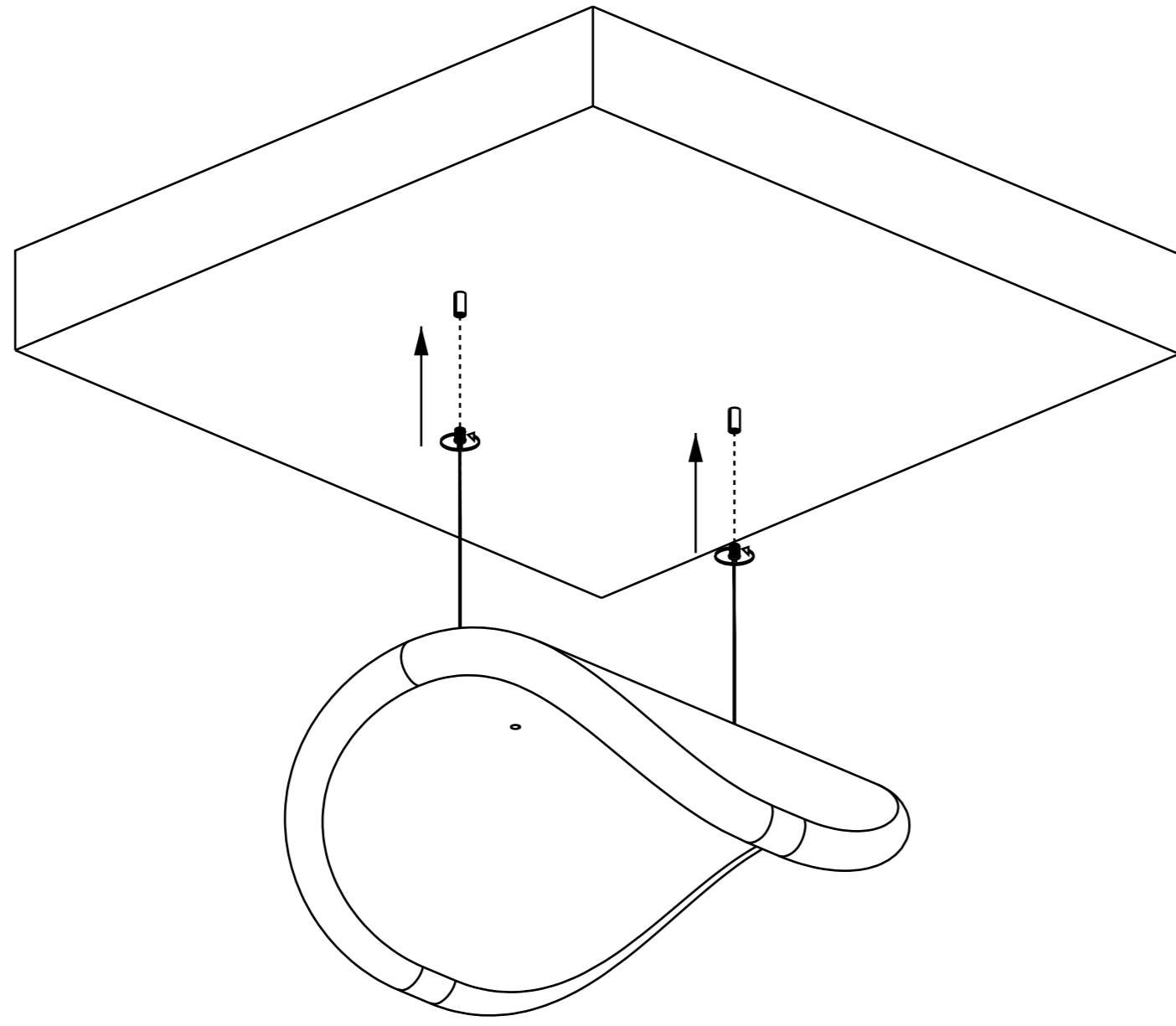
Step A:

Attach the bottom hardware into the Cuba baffle by following the rotation shown in the illustration. Use a measuring tape to mark the position on the ceiling. Secure the top hardware to the ceiling as depicted.



Step B:

Secure the Cuba baffle to the hardware as shown in the close-up view. Insert the light into the hole in the Cuba baffle and connect it to the electrical supply.



 info@sensesakustik.com

 www.sensesakustik.com