



Technical Specifications

Composition

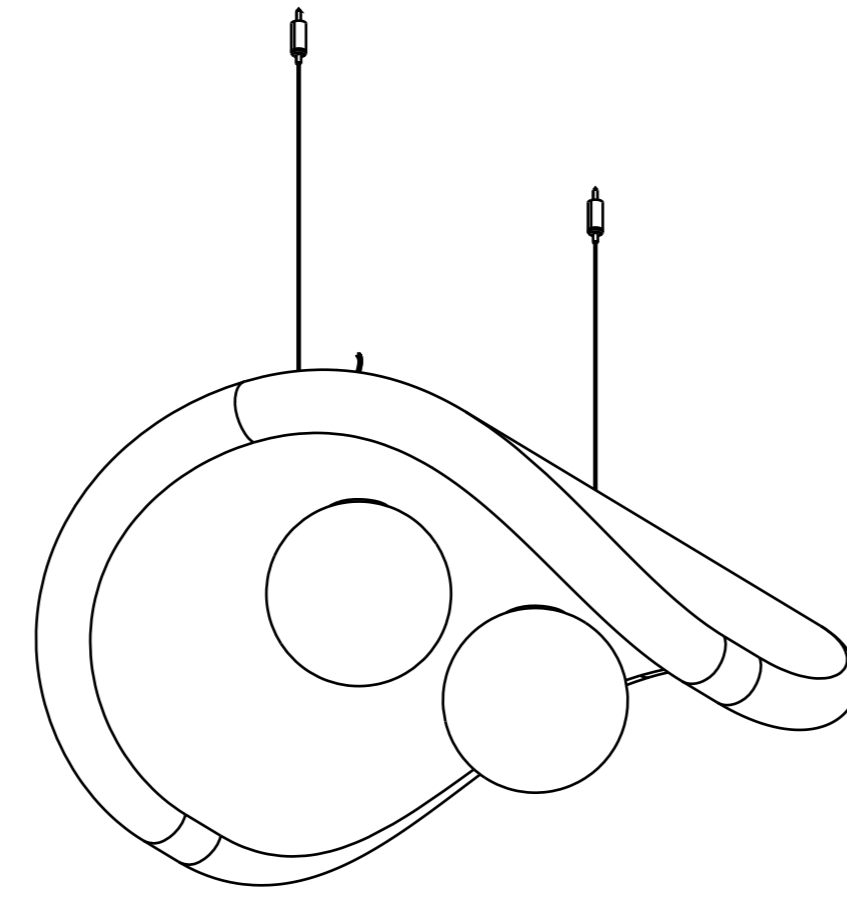
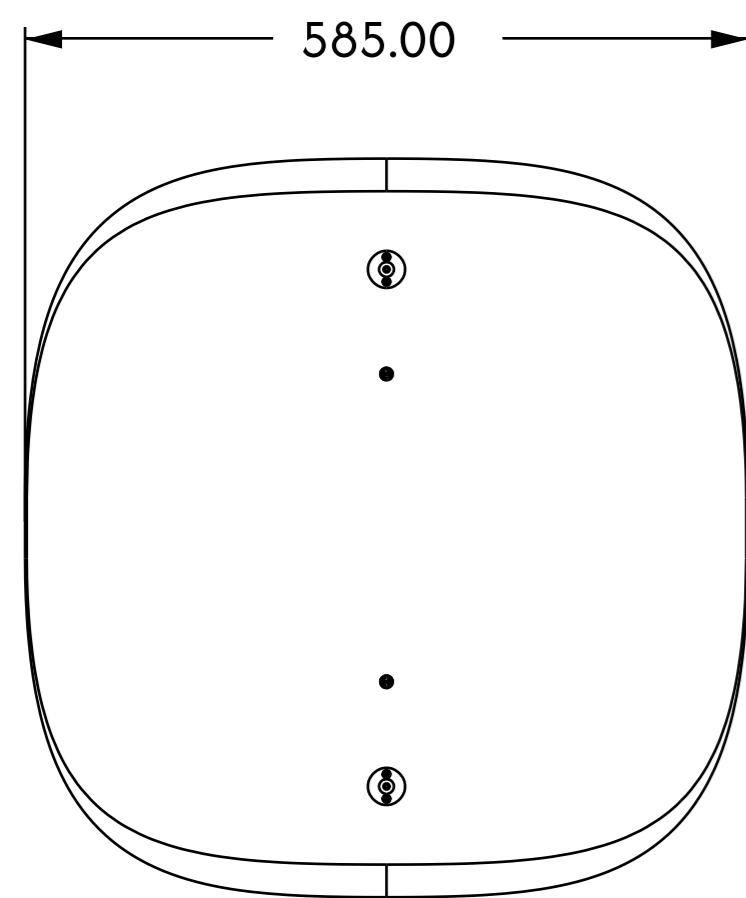
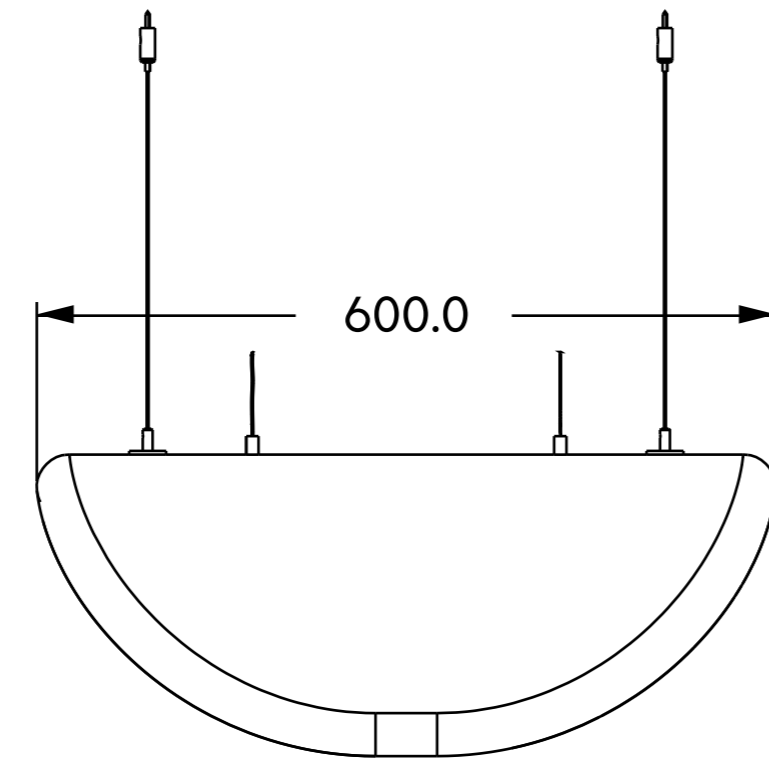
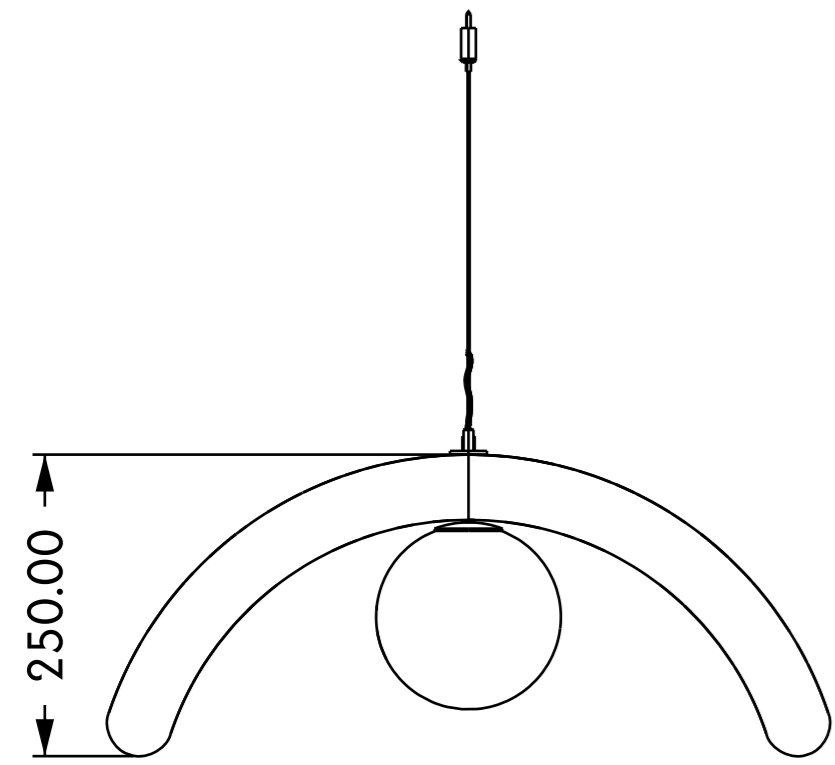
Base	Metal
Core	Acoustic Foam (Polyurethane)
Finish	Fabrics
Applications	Ceiling Mounted
Accessories	Clutch Wire Systems

Dimensions

- Standard 600 x 585 x 250 mm (L x W x H)



Product Drawings



Light Technicals

Construction	:	Aluminum
Diffuser	:	Frosted - Glass
UGR	:	<22
Life Span	:	25000 hours
Voltage	:	220-240 V
CRI	:	80/90
CCT	:	3000K, 4000K
Performance (LED)	:	Based On 4000K
• Globe - Ø150	:	5W each x Max. 40W

Performance

Fire Resistance:

1. Acoustic Foam (Polyurethane)

CA TB 117-2013 Section III | Flammability of Resilient fire material – Pass | Flame retardant in Upholstered Furniture – Pass

BS 5852 (Part 2):1982 | Flammability Test – Pass

2. Fabrics

- **Category A+**

BS 5852 Part 1: 1979 Ignition Source 0 & 1 |

Details: Cigarette Test & Match Test |

Result: PASS on both tests | Test Number: 423681

- **Category A**

BS 5852 Part 1: 1979 Ignition Source 0 & 1 |

Details: Cigarette Test & Match Test |

Result: PASS on both tests | Test Number: 187662

- **Category B**

AS/NZS 1530.3:1999 | Details: Simultaneous test for Ignitability, Flame Propagation, Heat Release & Smoke Release | Result: Passed | Test Number: 19-001329

Sustainability

Certifications & Compliance:

- LEED v4: Supports EQ Credit (Low-Emitting Materials)
- Certified Low VOC materials
- EPD & HPD certified
- Declare Label compliant
- USGBC LEED compliant



Declare.



Explore the upcoming colourways in the sections ahead. →

Fabrics

CAT A+ : COLORWAYS

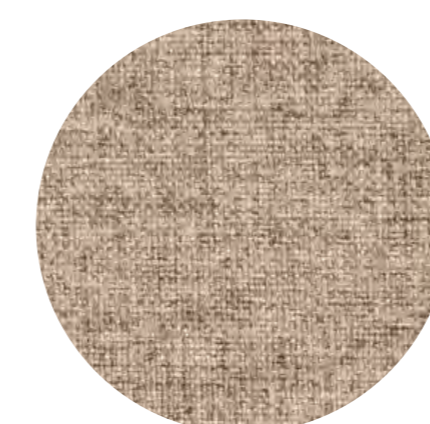
SOHO



Composition	100% Polyester
Weight (per surface)	420 gsm
Width	145 cm (min. usable 138 cm)
Abrasion resistance	100,000+ Wyzenbeek 90,000 Martindale
Flammability	CA TB 117 - 2013 BS 5852: Part 1(1979)
Fastness to light	5
Fastness to rubbing	Wet - 4 Dry - 4/5
Pilling	Piling on Martindale - 3/4 Brush pilling - 5
Seam Slippage	Warp - 2.5 mm Weft - 3 mm

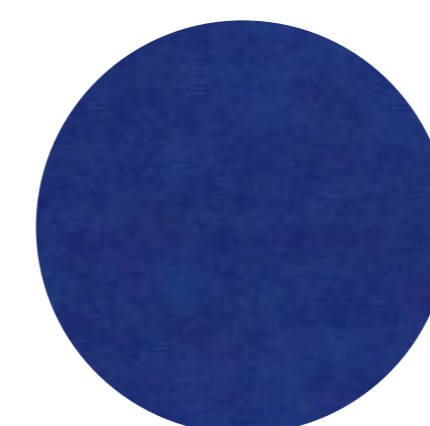
CAT A : COLORWAYS

GLASGOW



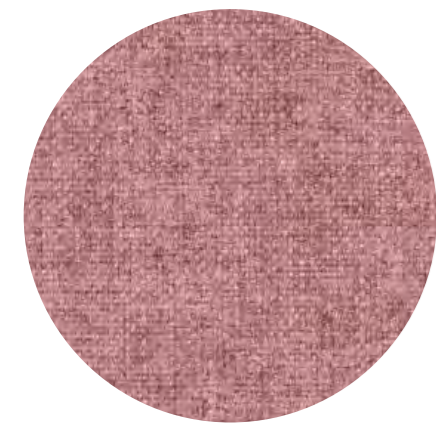
Composition	100% Polyester
Weight (per surface)	265 gsm
Width	145 cm (min. usable 138 cm)
Abrasion resistance	84,000 Wyzenbeek >100,000 Martindale
Flammability	CA TB 117 - 2013 BS 5852 Source 0,1 (cigarette & match) EN 1021 Part1,2 (cigarette & match)
Fastness to light	5
Fastness to rubbing	Wet - 3/4 Dry - 4
Pilling	3/4
Seam Slippage	Warp - 4 mm Weft - 4 mm

QUARTZ



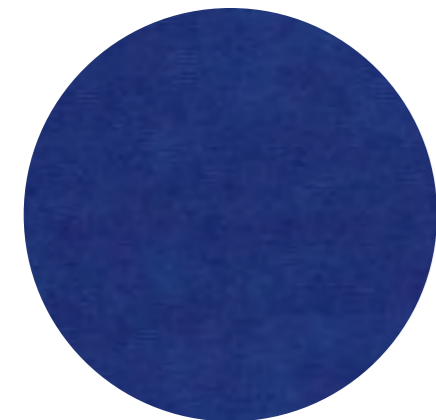
Composition	100% Polyester
Weight (per surface)	360 gsm
Width	142 cm (min. usable 138 cm)
Abrasion resistance	100,000 Wyzenbeek 90,000 Martindale
Flammability	CA TB 117 - 2013
Fastness to light	4/5
Fastness to rubbing	Wet - 4 Dry - 4/5
Pilling	Martindale Pilling - 5 Brush Pilling - 5
Seam Slippage	Warp - 3 mm Weft - 3 mm

SHETLAND



Composition	100% Polyester
Weight (per surface)	280 gsm
Width	145 cm (min. usable 138 cm)
Abrasion resistance	>100,000 Wyzenbeek >45,000 Martindale
Flammability	BS 5852: Part 1 (1979) CA TB 117-2013
Fastness to light	5
Fastness to rubbing	Wet - 4 Dry - 4/5
Pilling	Martindale Pilling - 4 Brush Pilling - 5
Seam Slippage	Warp - 1.67 mm Weft - 2 mm

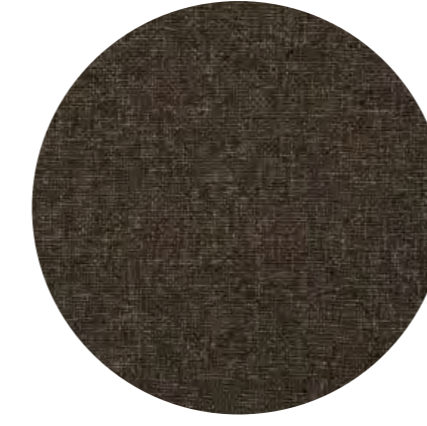
TWEED



Composition	100% Polyester
Weight (per surface)	240 gsm
Width	142 cm (min. usable 138 cm)
Abrasion resistance	54,000 Wyzenbeek 100,000 Martindale
Flammability	CA TB 117 - 2013 BS 5852 Source 0,1 (cigarette & match) EN 1021 Part1,2 (cigarette & match)
Fastness to light	5
Fastness to rubbing	Wet - 4 Dry - 4/5
Pilling	3/4
Seam Slippage	Warp - 2 mm Weft - 2 mm

CAT B : COLORWAYS

ELTON



Composition	100% Polyester
Weight (per surface)	275 gsm
Width	140 cm
Abrasion resistance	70,000 Wyzenbeek
Flammability	AS/NZS 1530.3 - 1999
Fastness to light	5
Fastness to rubbing	Wet - 4/5 Dry - 4/5
Pilling	5
Seam Slippage	Warp - 3.3 mm Weft - 3 mm
Attributes	Halo Easy Care, Oekotex Standard 100

FELIX



Composition	100% Polyester
Weight (per surface)	380 gsm
Width	142 cm
Abrasion resistance	100,000 Wyzenbeek
Flammability	AS/NZS 1530.3 - 1999
Fastness to light	6
Fastness to rubbing	Wet - 5 Dry - 5
Pilling	5
Seam Slippage	Warp - 2 mm Weft - 1.5 mm
Attributes	Halo Easy Care, Oekotex Standard 100

 info@sensesakustik.com

 www.sensesakustik.com