

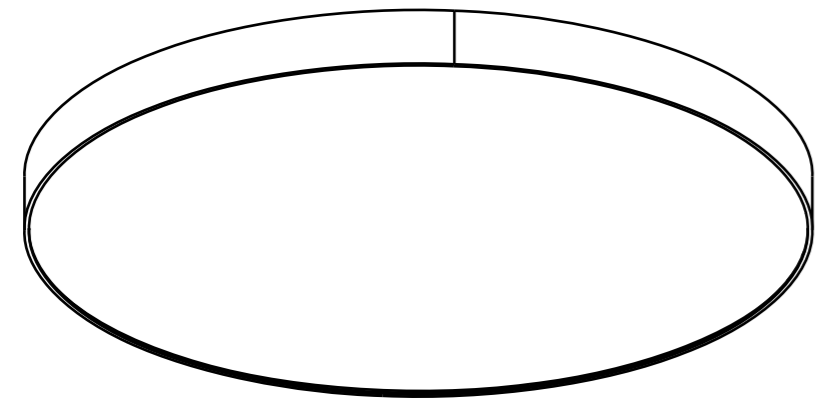


# Installation Steps

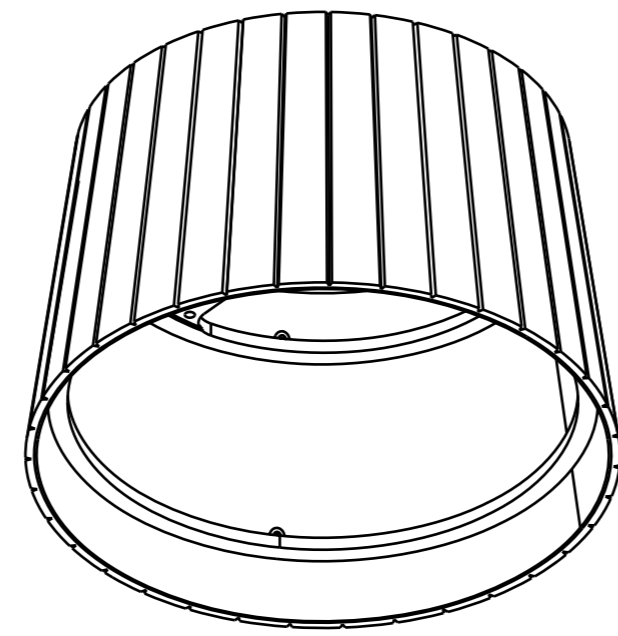
## Part Overview

### Shape specific parts:

#### Round

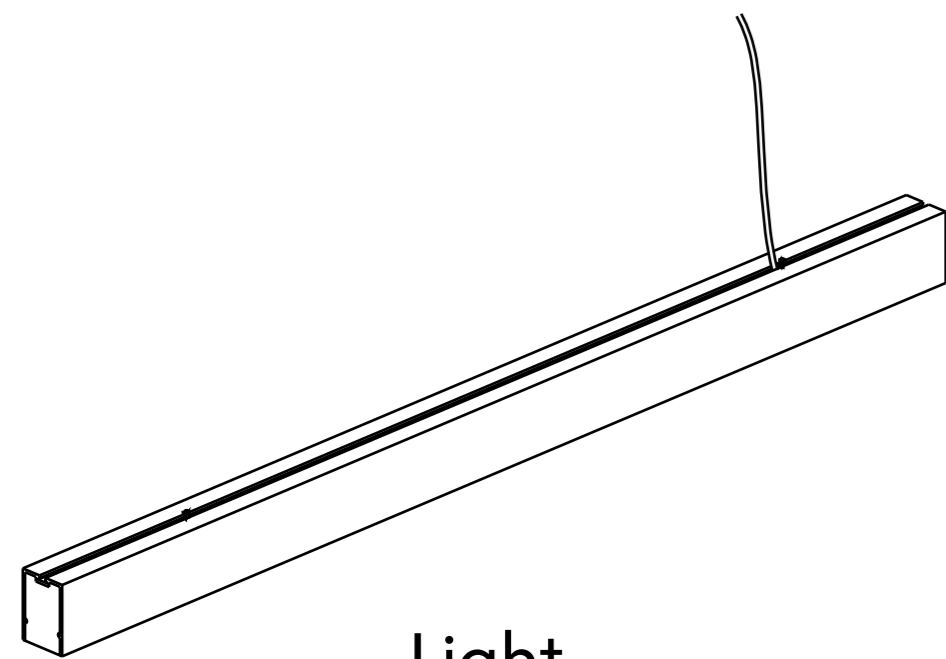


Light

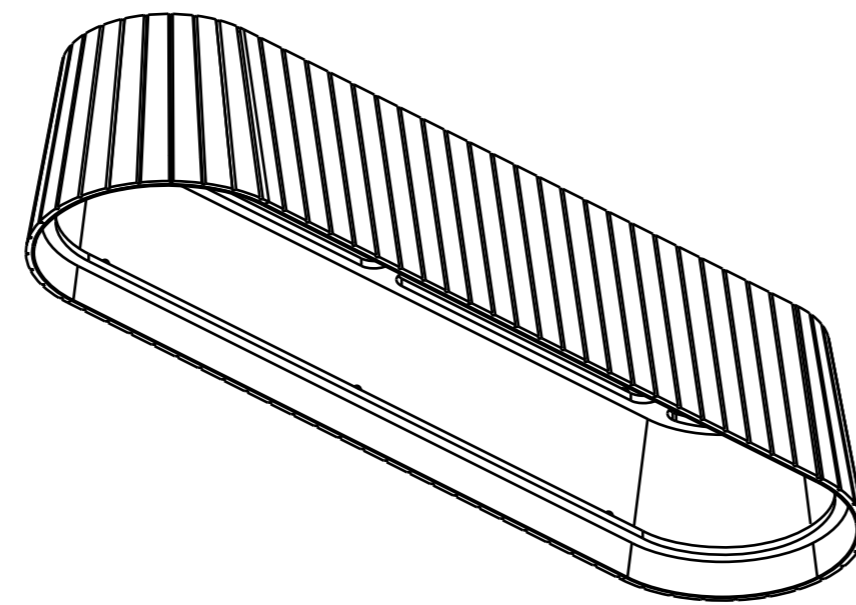


Dome Baffle

#### Oval

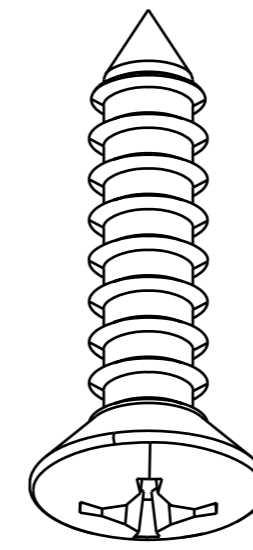


Light



Dome Baffle

### Common part for all shapes:



Self Tapping  
Screw M4 x 38 (3 nos)

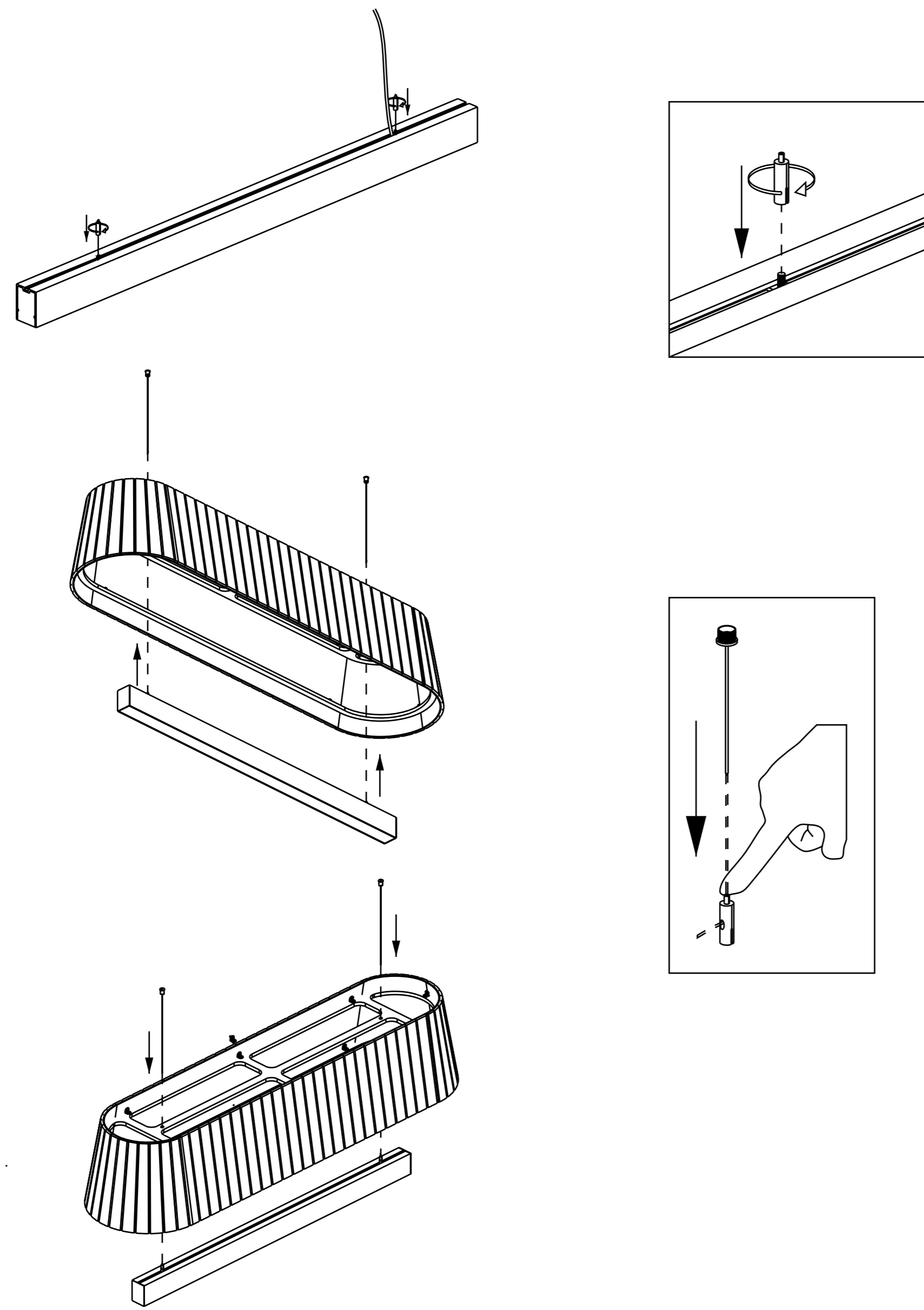


Top Bottom Hardware  
(3 set)

## Assembly

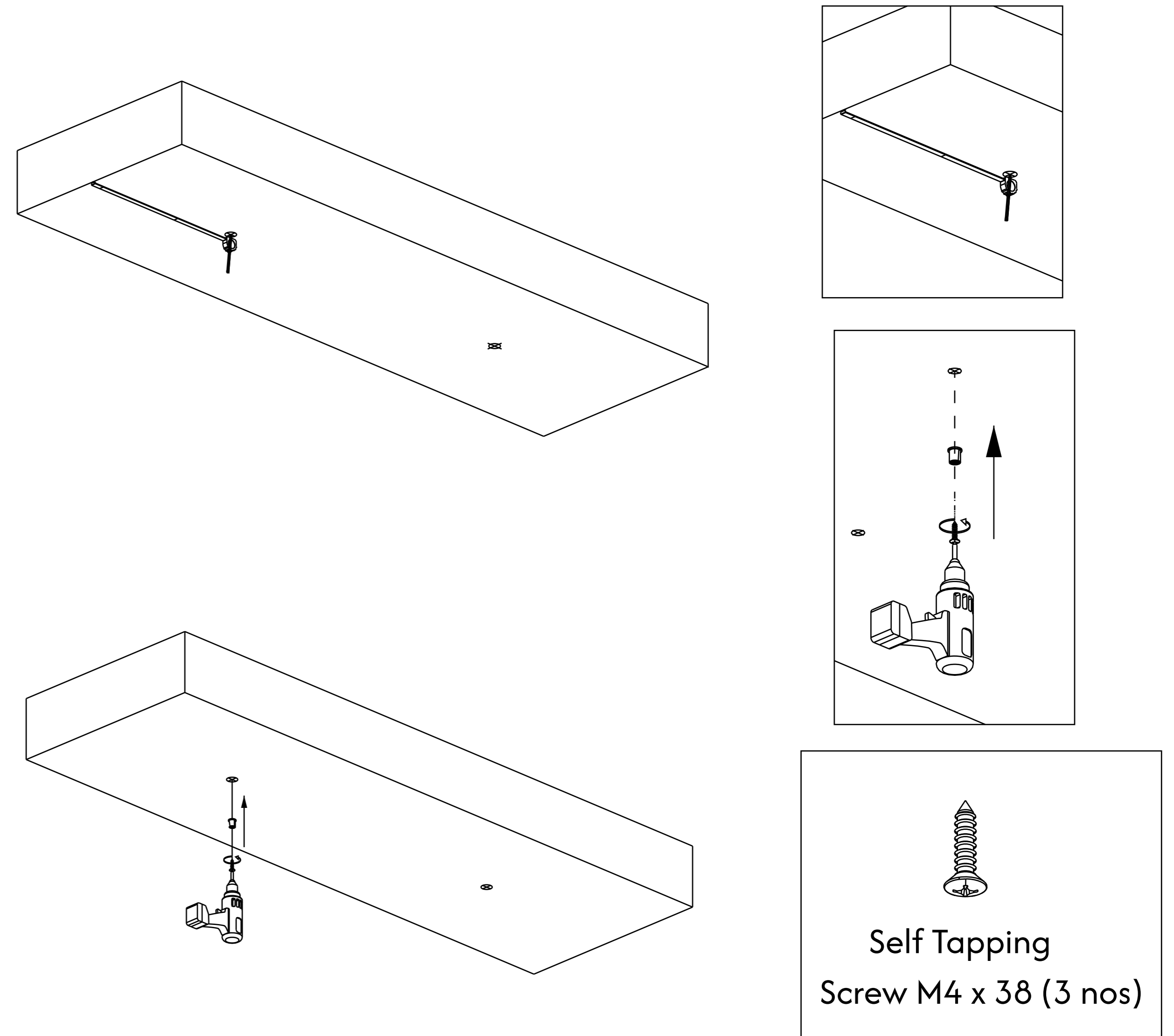
### Step A:

Attach the bottom hardware following the rotation specified in the illustration. Press the button and route as depicted in the close up view.



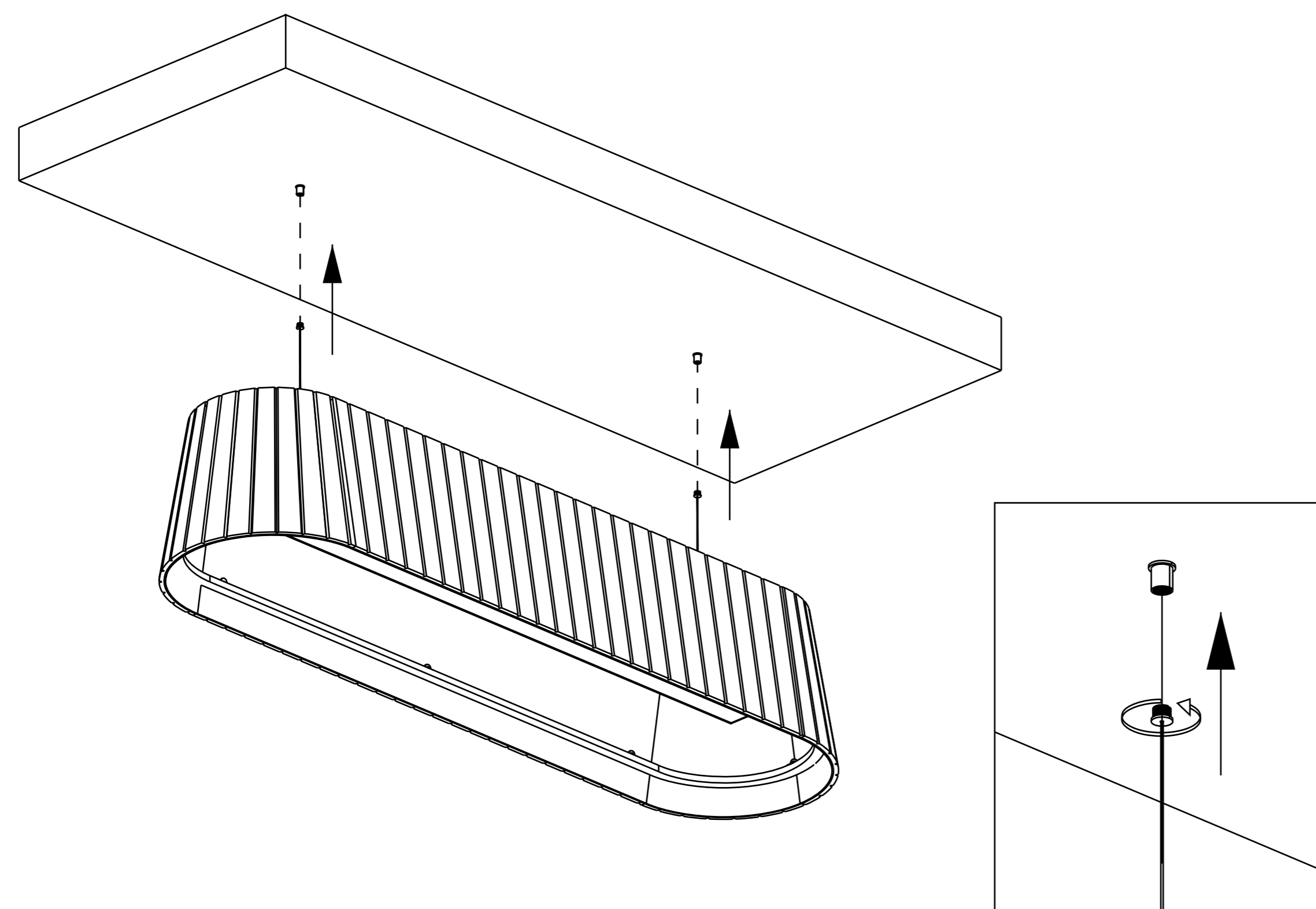
### Step B:

Mark the position on the ceiling using mearing tape. Secure the top hardware with the ceiling as depicted in the illustration.



### Step C:

Secure the baffle light with the hardware as depicted in the close-up view.



 [info@sensesakustik.com](mailto:info@sensesakustik.com)

 [www.sensesakustik.com](http://www.sensesakustik.com)