



Technical Specifications

Composition

Frame	Plywood
Frame Finish	Black
Top Finish	100% PET (60% Recycled Content)
Applications	Ceiling Mounted
Accessories	Clutch Wire Systems

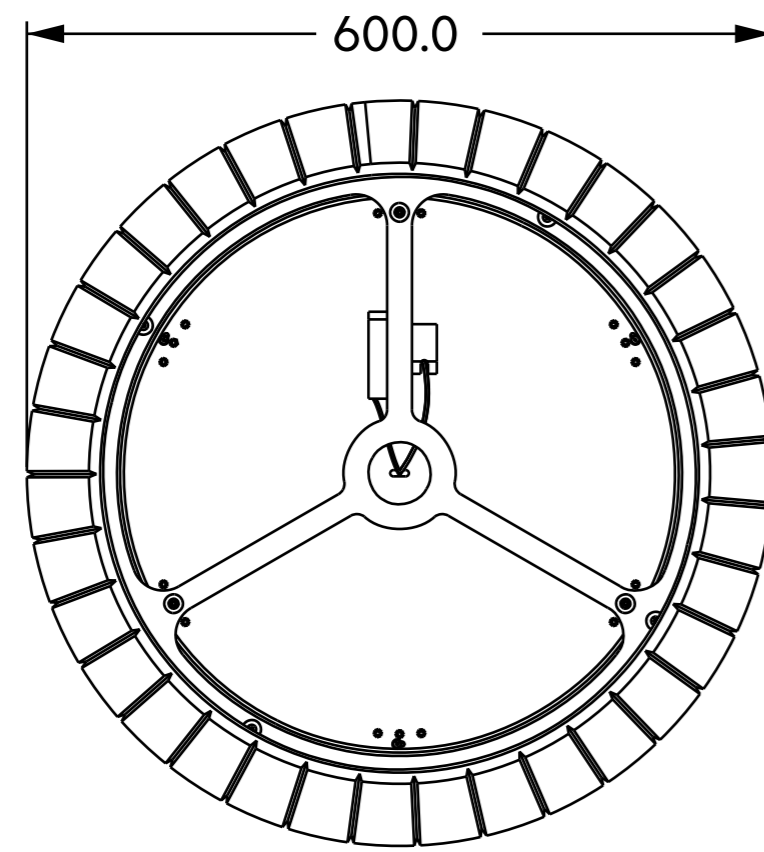
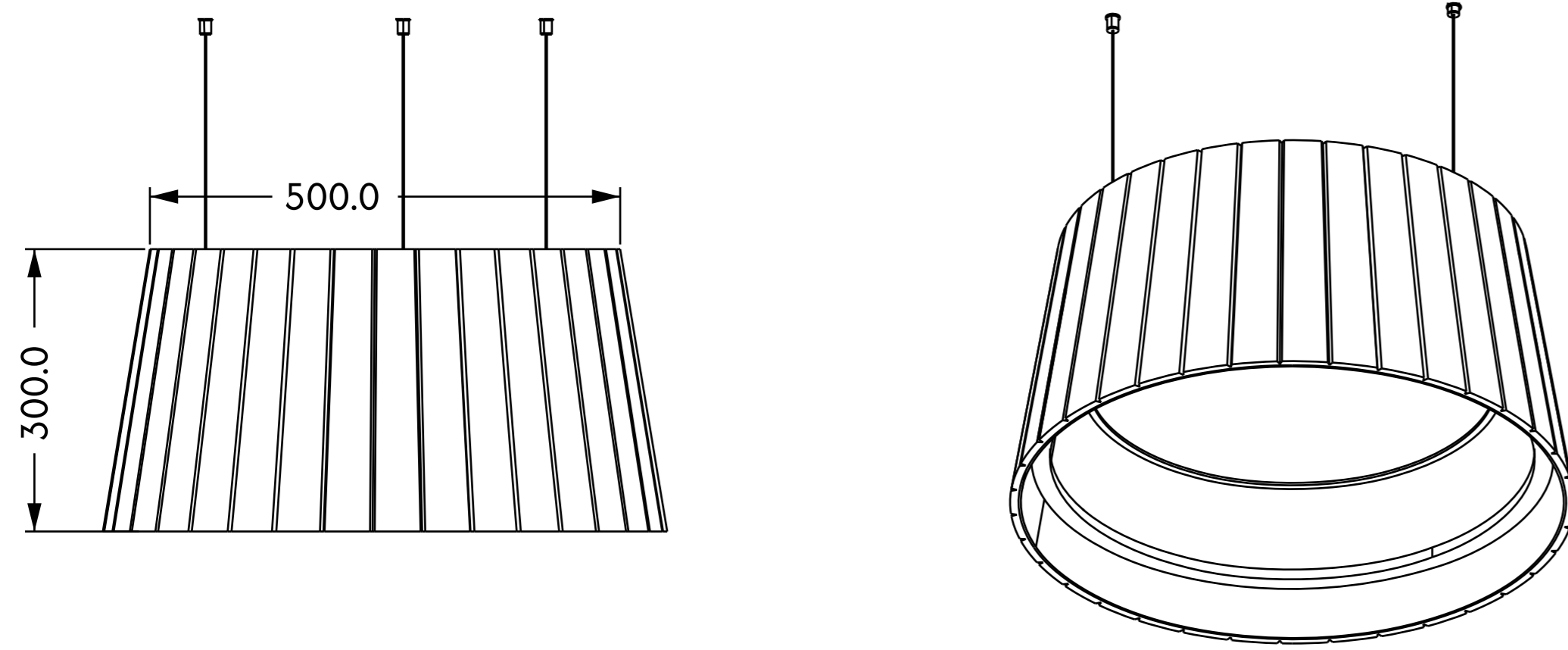
Dimensions

- Round (S) : Ø600 x 300 mm (H)
(L) : Ø800 x 300 mm (H)
- Oval 1500 x 400 x 300 mm (L x W x H)

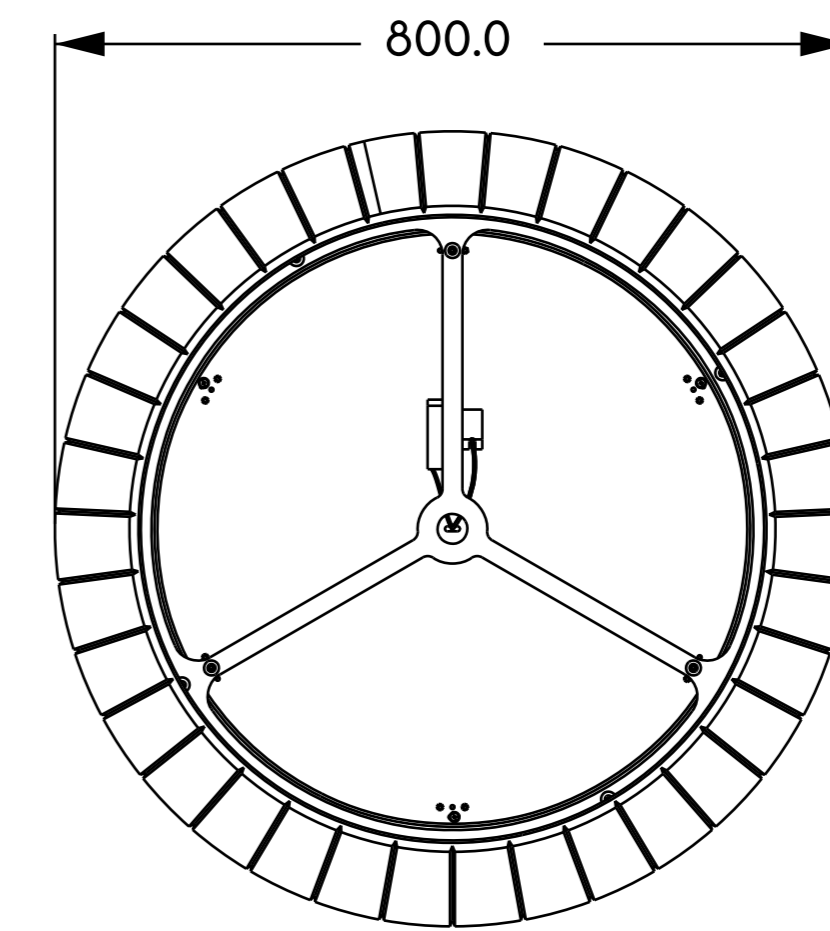
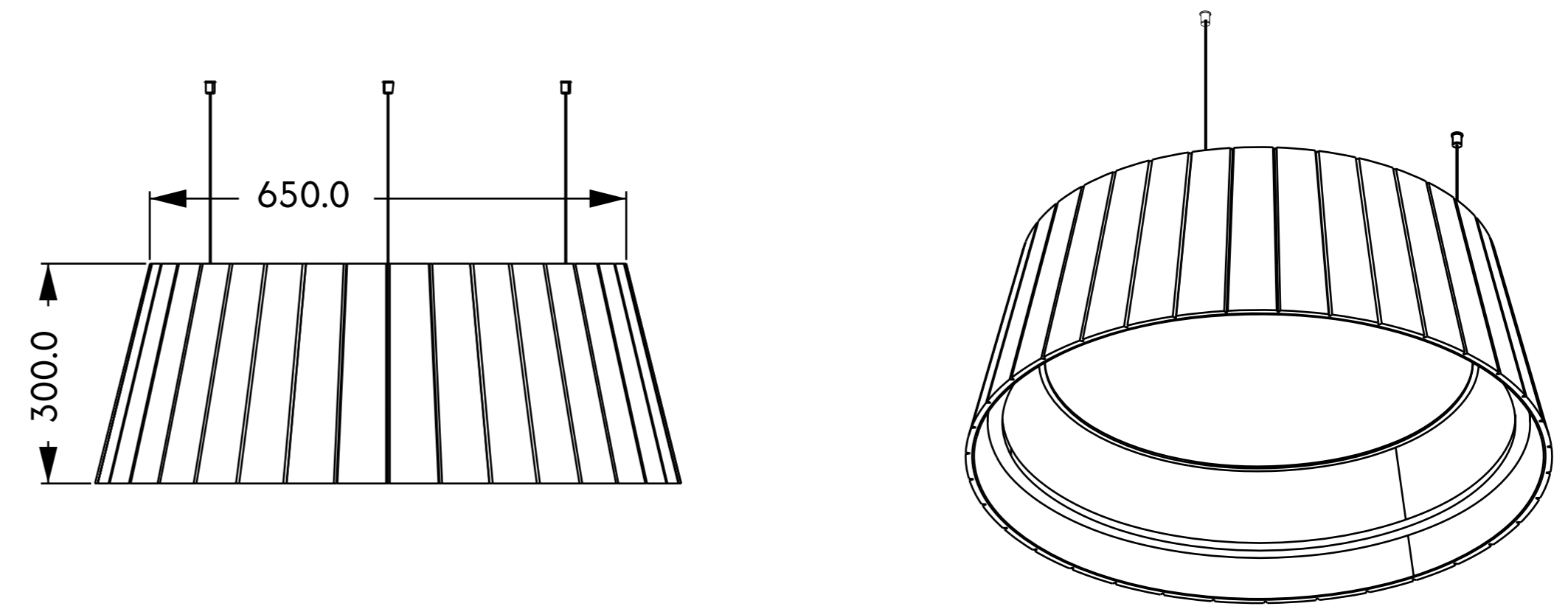


Product Drawings

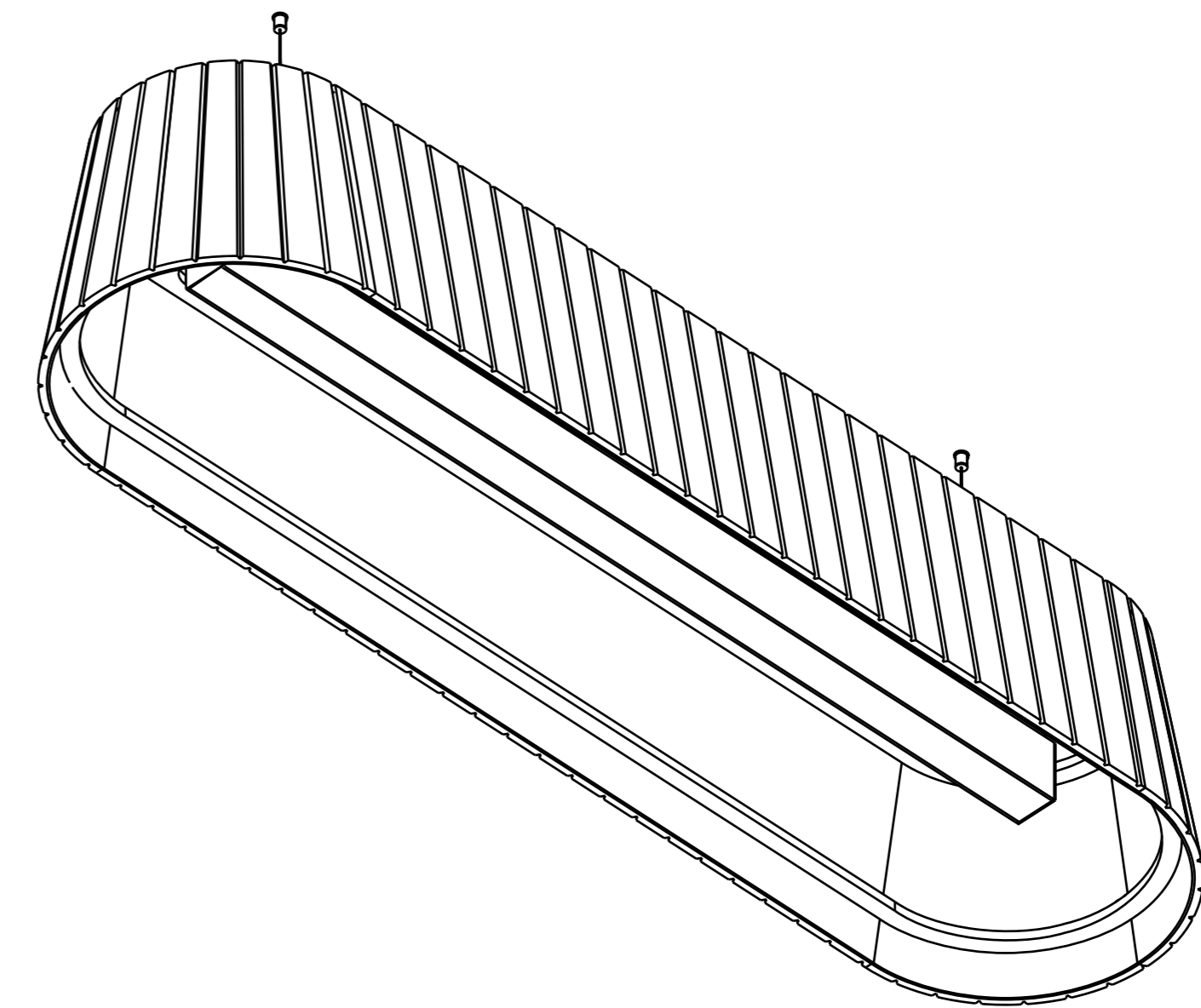
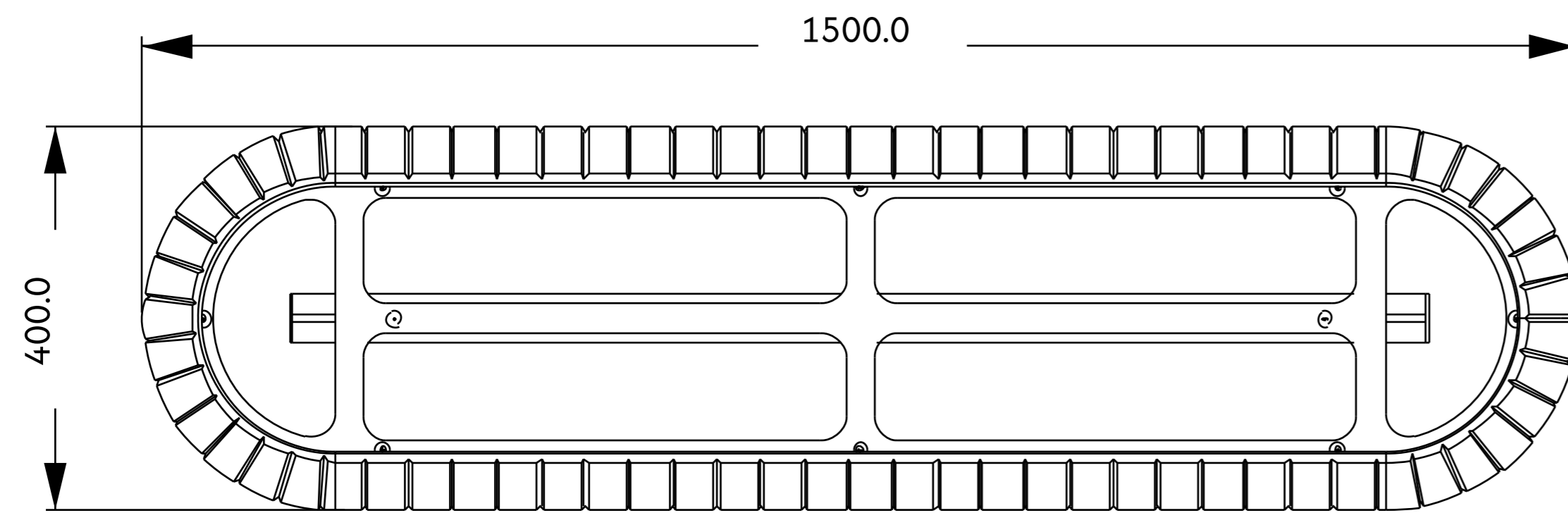
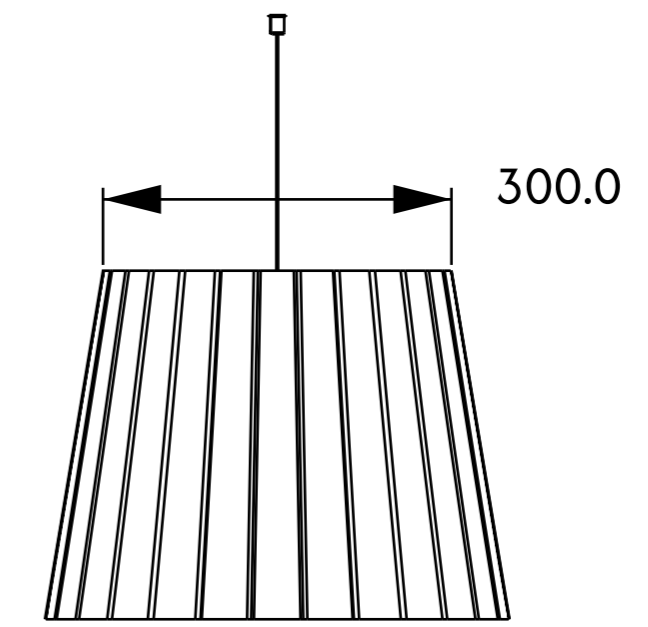
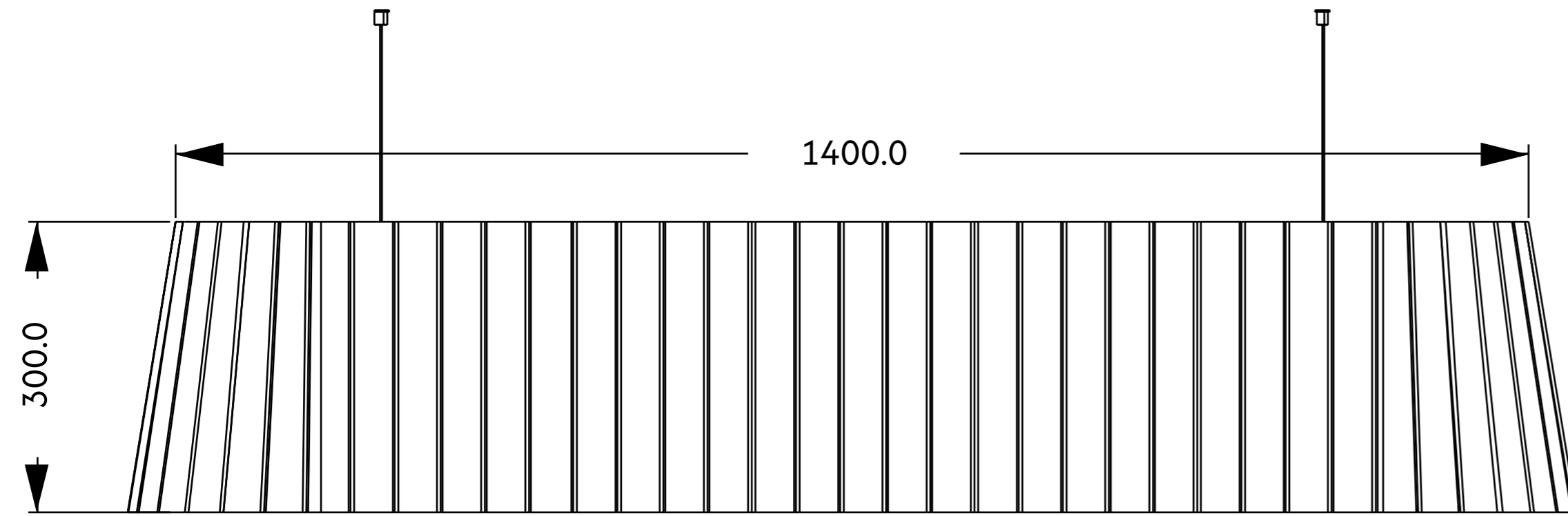
Round Ø600



Ø800



Oval



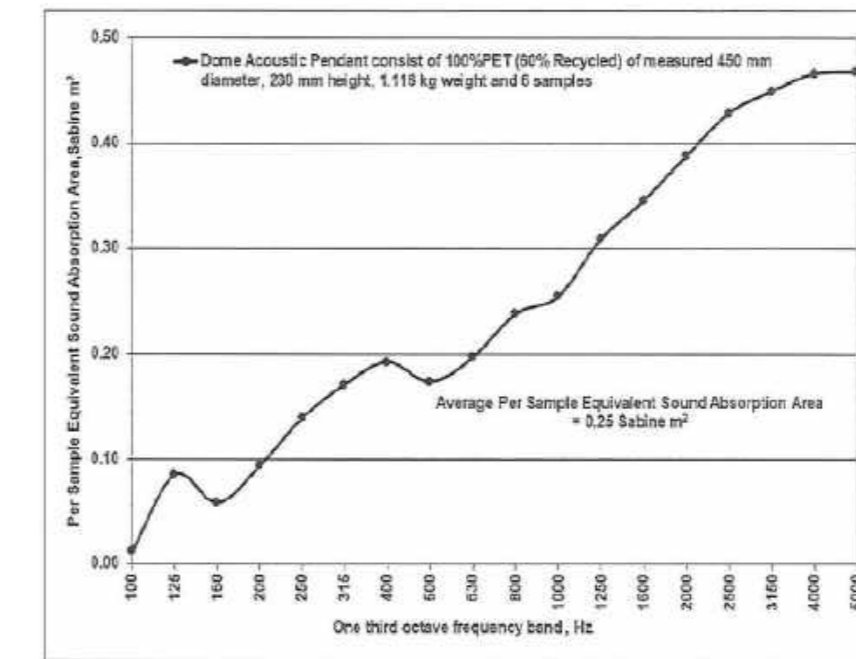
Light Technicals

Construction	: Aluminum
Diffuser	: PMMA
UGR	: <19
Life Span	: 50000 hours
Color Consistency	: 3 SDCM
Drivers	: Constant current
Driver type	: ON/OFF, Dimmable version available on request
Operating Voltage	: 220-240 V
CRI	: 80/90
CCT	: 3000K, 4000K, 6000K
Performance (LED)	: Based On 4000K
1. Round:	
• (S): Ø450 mm	: 30W / 3600 lm
• (L): Ø600 mm	: 36W / 4320 lm
2. Round:	
• L-1190 mm	: 30W / 3600 lm

Performance

Acoustic Properties:

ASTM C-423 | 0.25 Sabine m² (Average value of sound absorption)



Fire Resistance:

1. Plywood

IS 5509:2000 (With Amendments) | Time for second ignition: > 30 minutes | Conforms to Indian Fire-resistance standard for interior plywood

VOC Emissions :

CDPH Standard Method v1.2 | Section 01350 –Low-emitting materials for schools and offices

Sustainability

Certifications & Compliance:

- LEED v4: Supports EQ Credit (Low-Emitting Materials)
- Certified Low VOC materials
- EPD & HPD certified
- Declare Label compliant
- USGBC LEED compliant

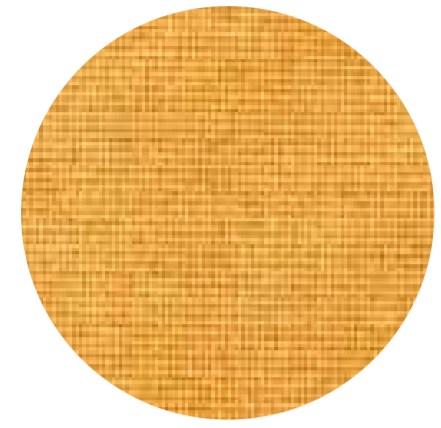


Declare



COLORLINE

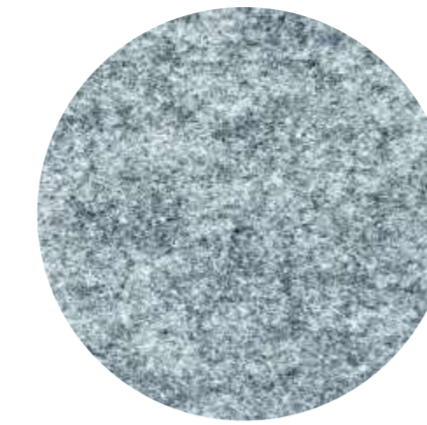
PLAIN



Composition	100% PET (60% Recycle Content)
Thickness	12 mm ($\pm 10\%$), 24 mm ($\pm 10\%$)
Flammability	class 1 or A (ASTM E84)
Smoke Development Index	288 (ASTM E84)

FELT

FELT 2.5



Composition	95% Polyester, 5% Rayon
Thickness	2.5 mm
Weight	500 gsm ($\pm 10\%$)
Flammability	Class 1 or A (ASTM E84)
Smoke Development Index	288 (ASTM E84)

 info@sensesakustik.com

 www.sensesakustik.com