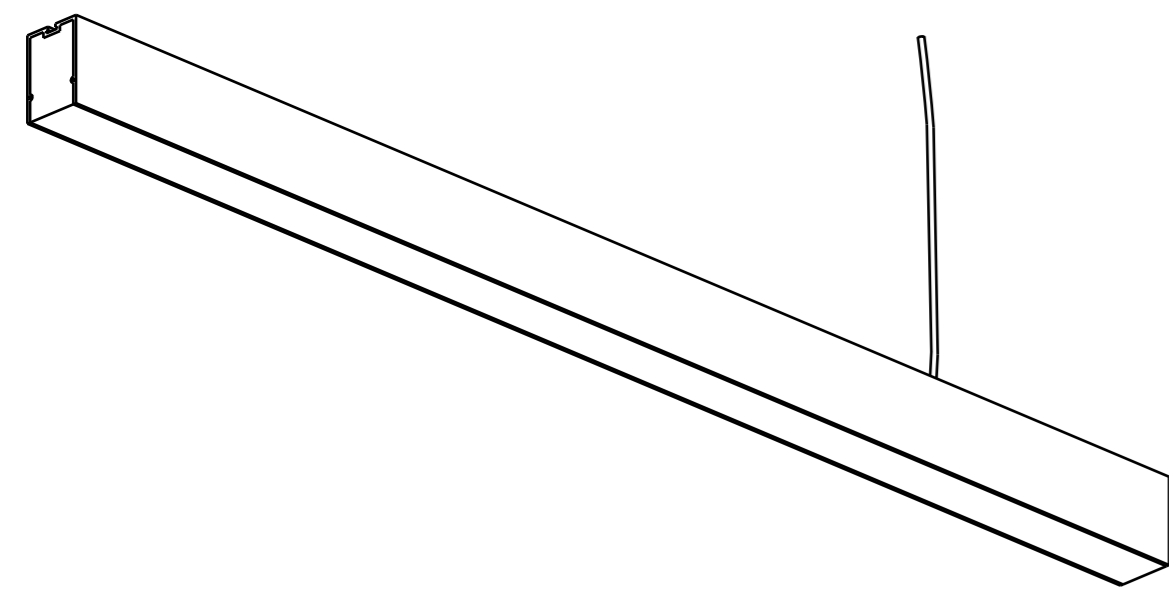


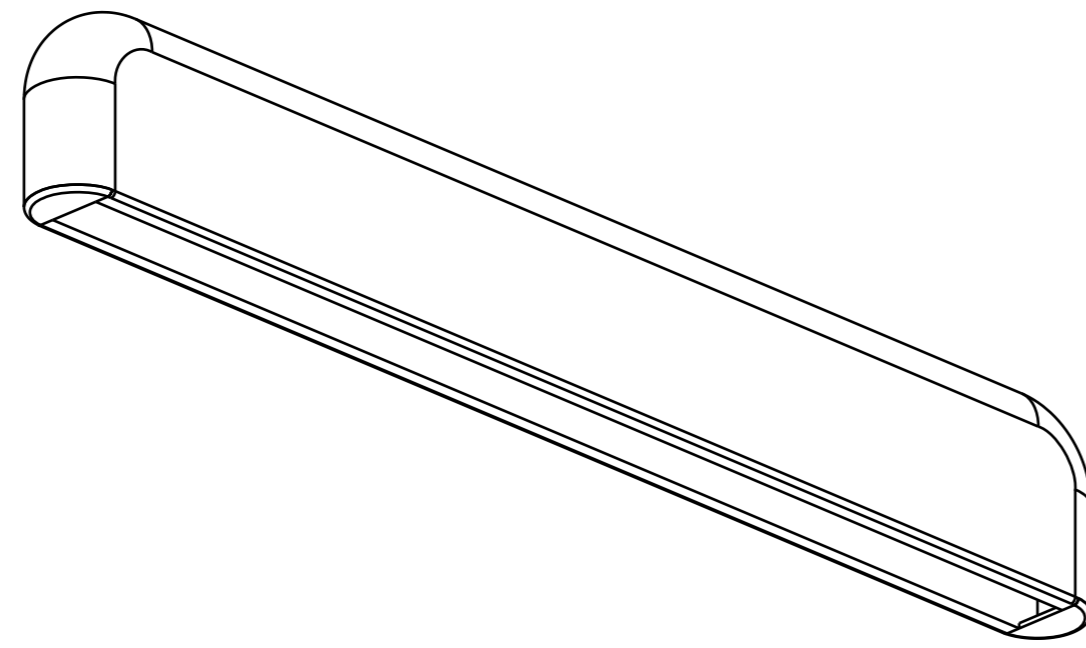


# Installation Steps

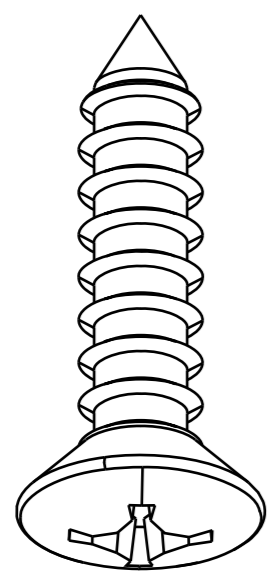
## Part Overview



Echo



Echo with light



Self Tapping  
Screw M4 x 38 (2 nos)

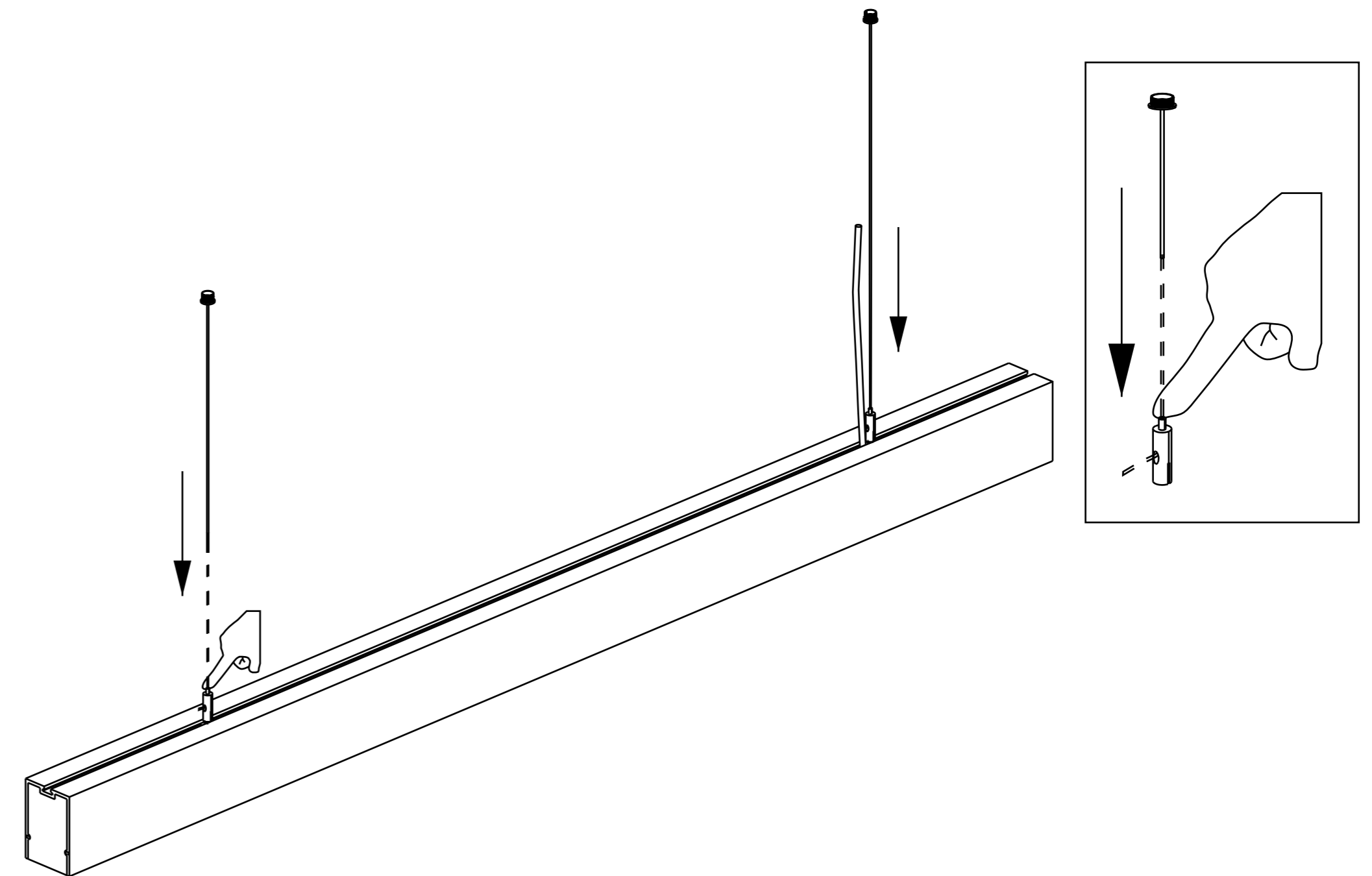
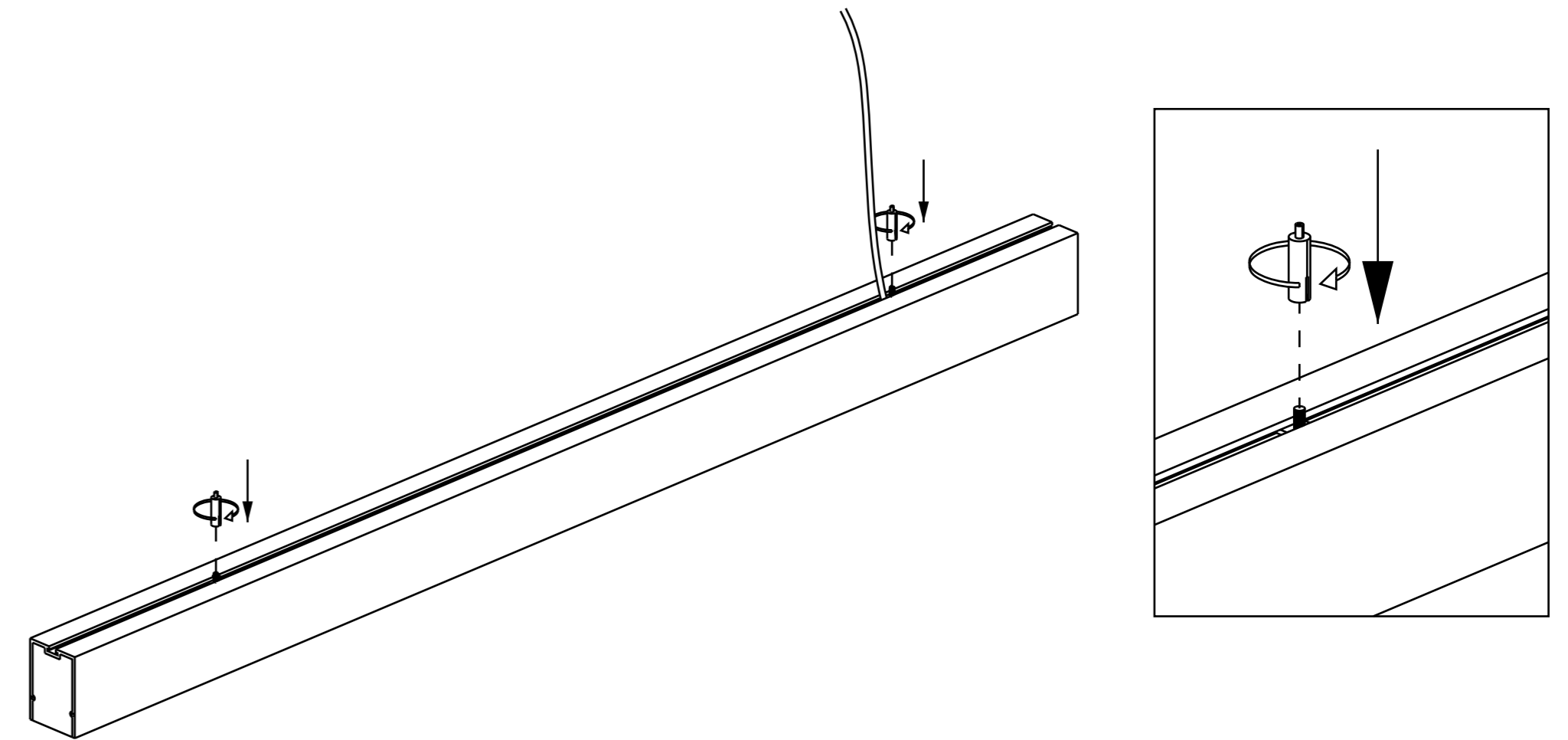


Top Bottom Hardware  
(2 set)

## Assembly

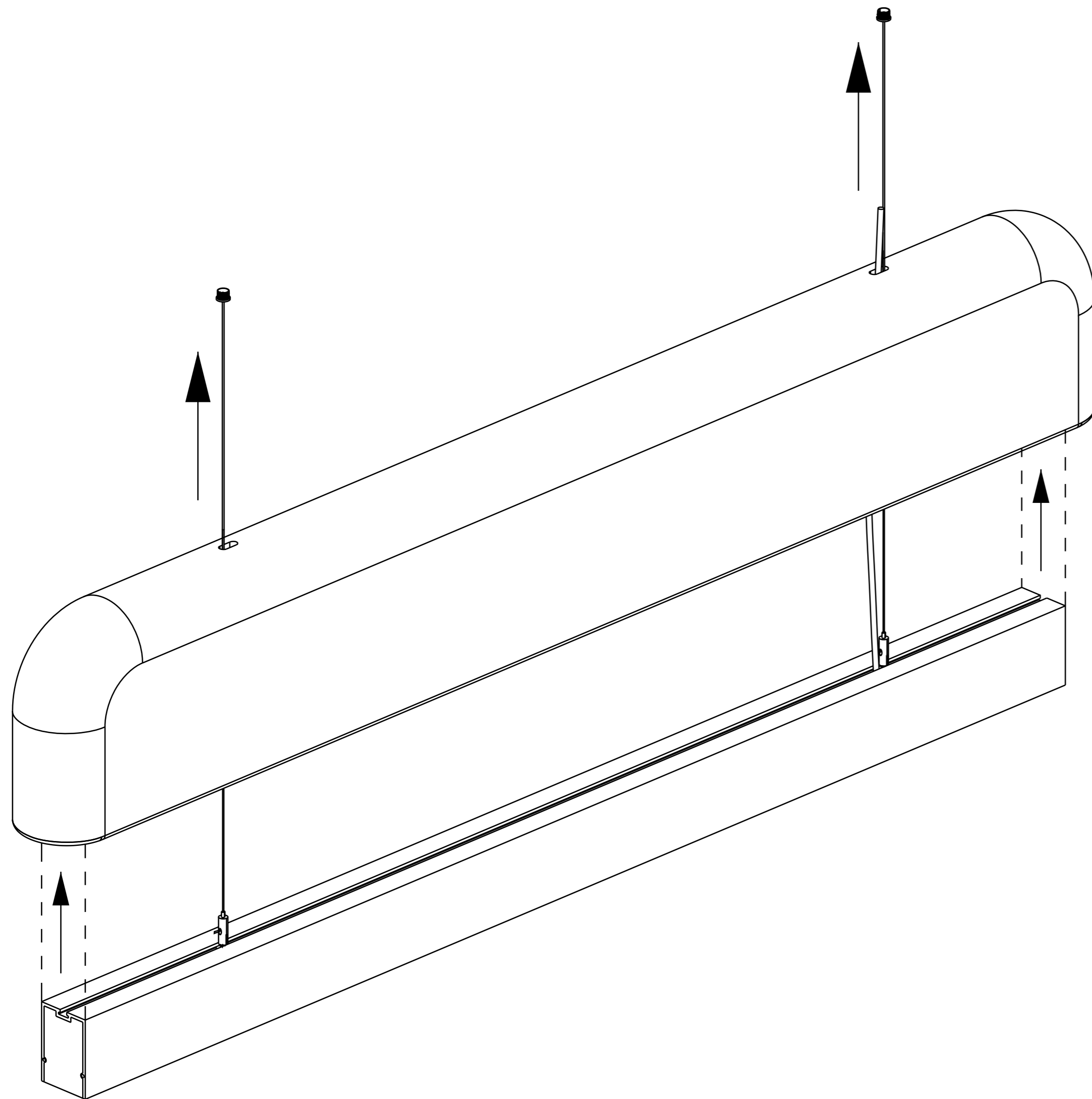
### Step A:

Attach the bottom hardware by rotating it as shown in the illustration. Press the button and route the hardware as indicated in the close-up view.



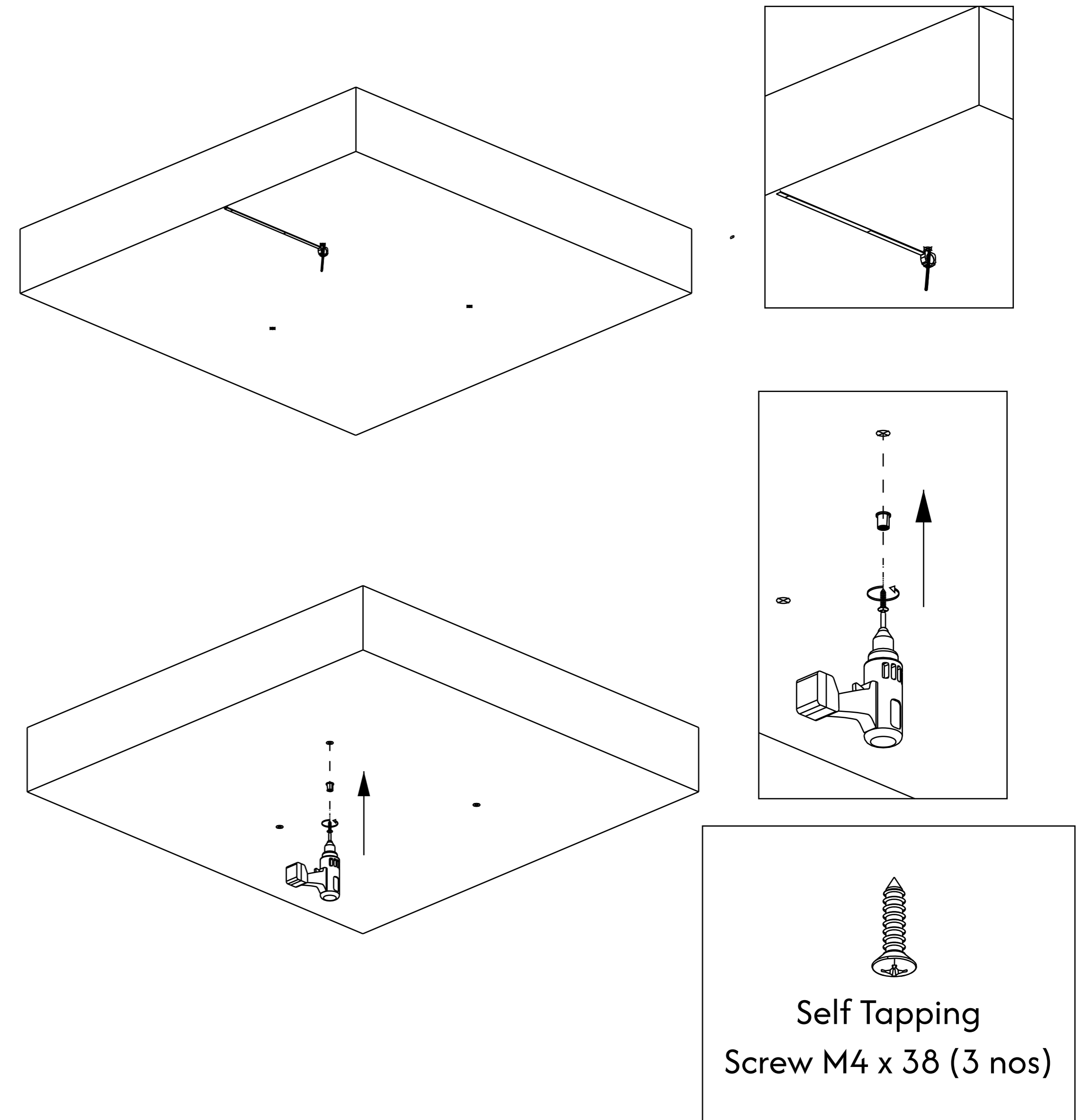
### Step B:

Route the cable through the bottom of the light baffle and install as indicated.



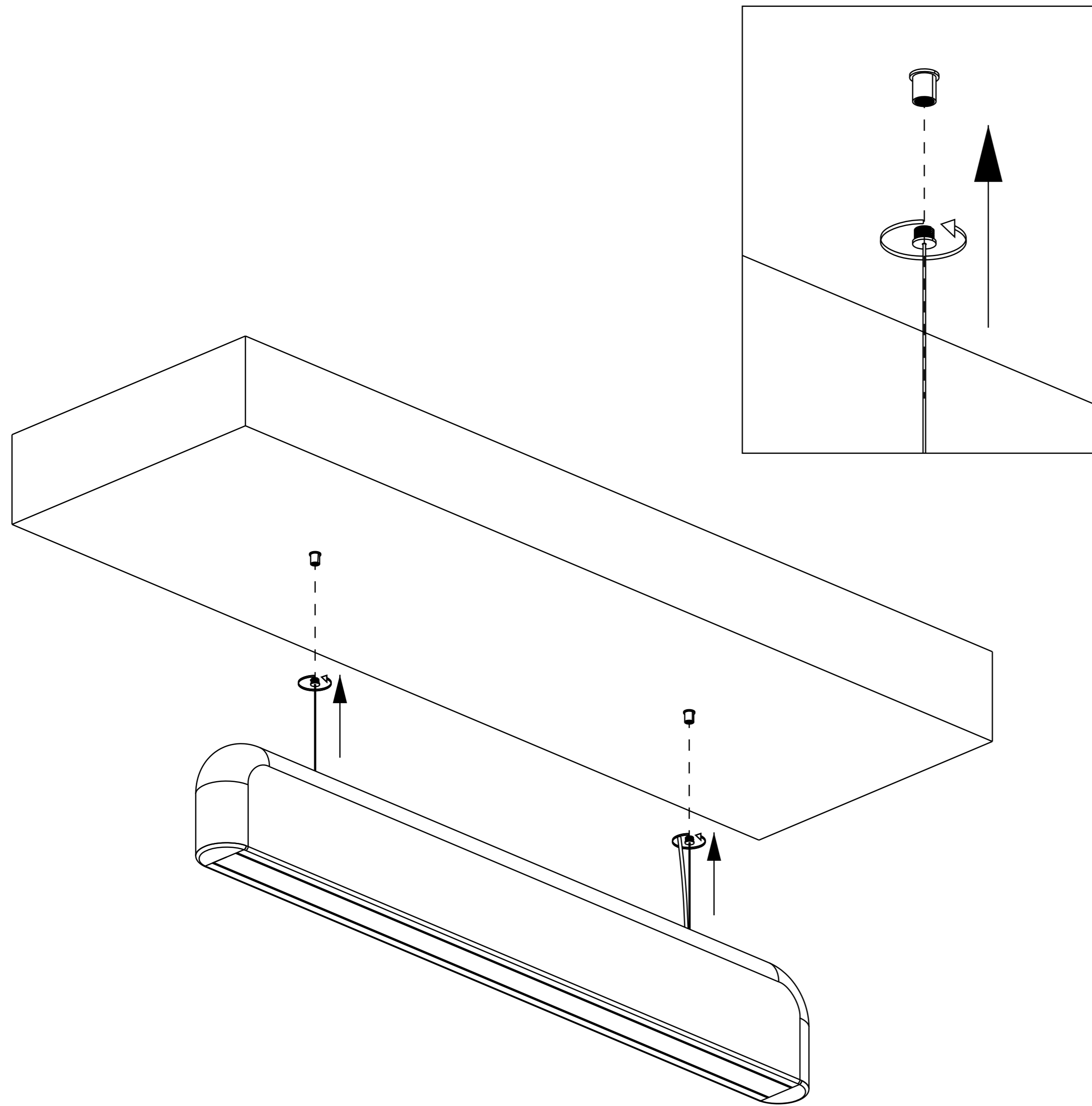
### Step C:

Use a measuring tape to mark the position on the ceiling. Secure the top hardware to the ceiling as shown in the illustration.



## Step D:

Attach the baffle light to the hardware as shown in the close-up view.



 [info@sensesakustik.com](mailto:info@sensesakustik.com)

 [www.sensesakustik.com](http://www.sensesakustik.com)