



# Technical Specifications

## Composition

|              |                              |
|--------------|------------------------------|
| Base         | Plywood                      |
| Core         | Acoustic Foam (Polyurethane) |
| Finish       | Fabrics                      |
| Applications | Ceiling Mounted              |
| Accessories  | Clutch Wire Systems          |

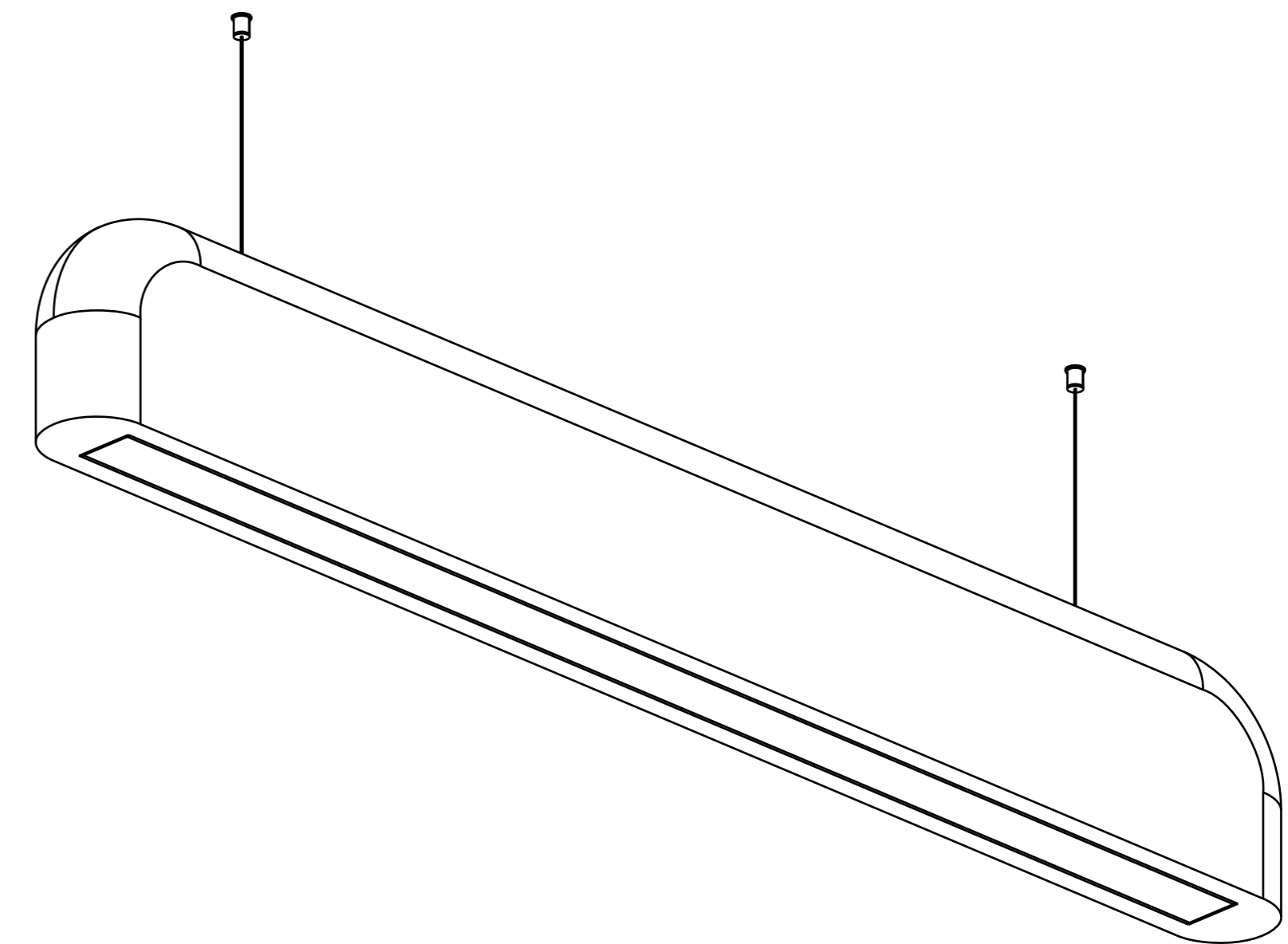
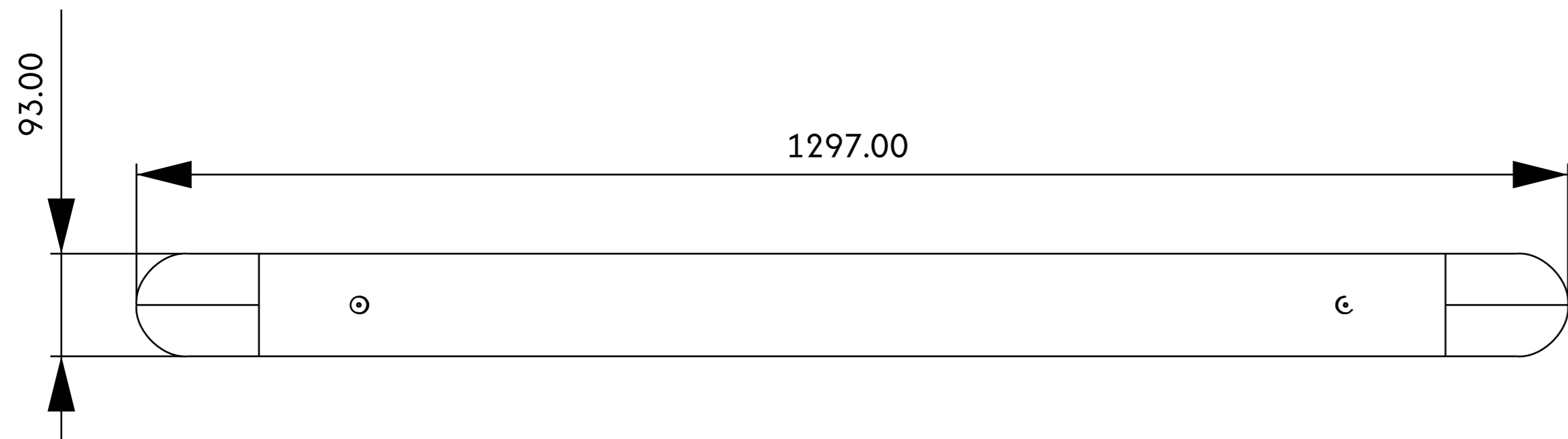
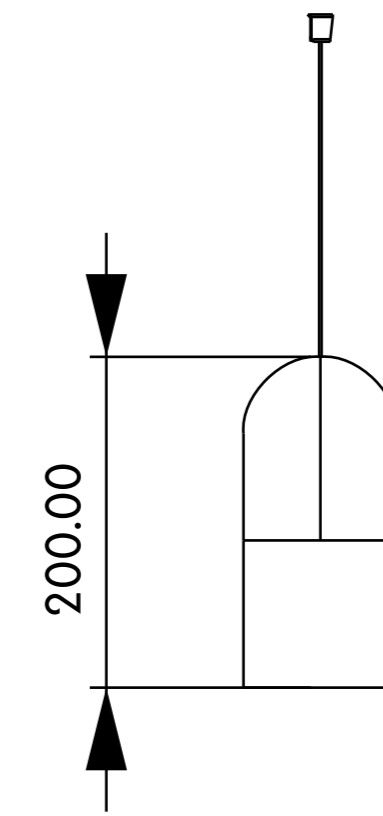
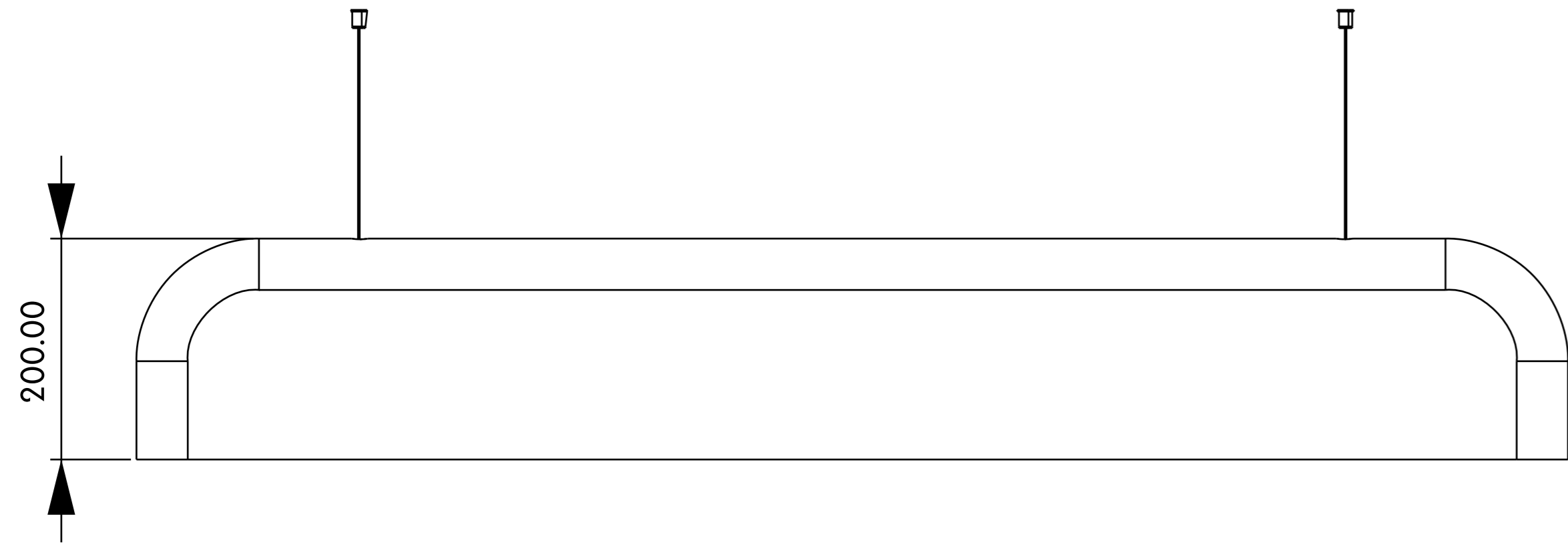
## Dimensions

- (S): 1297 x 93 x 200 mm (L x W x H)
- (L): 2473 x 93 x 200 mm (L x W x H)

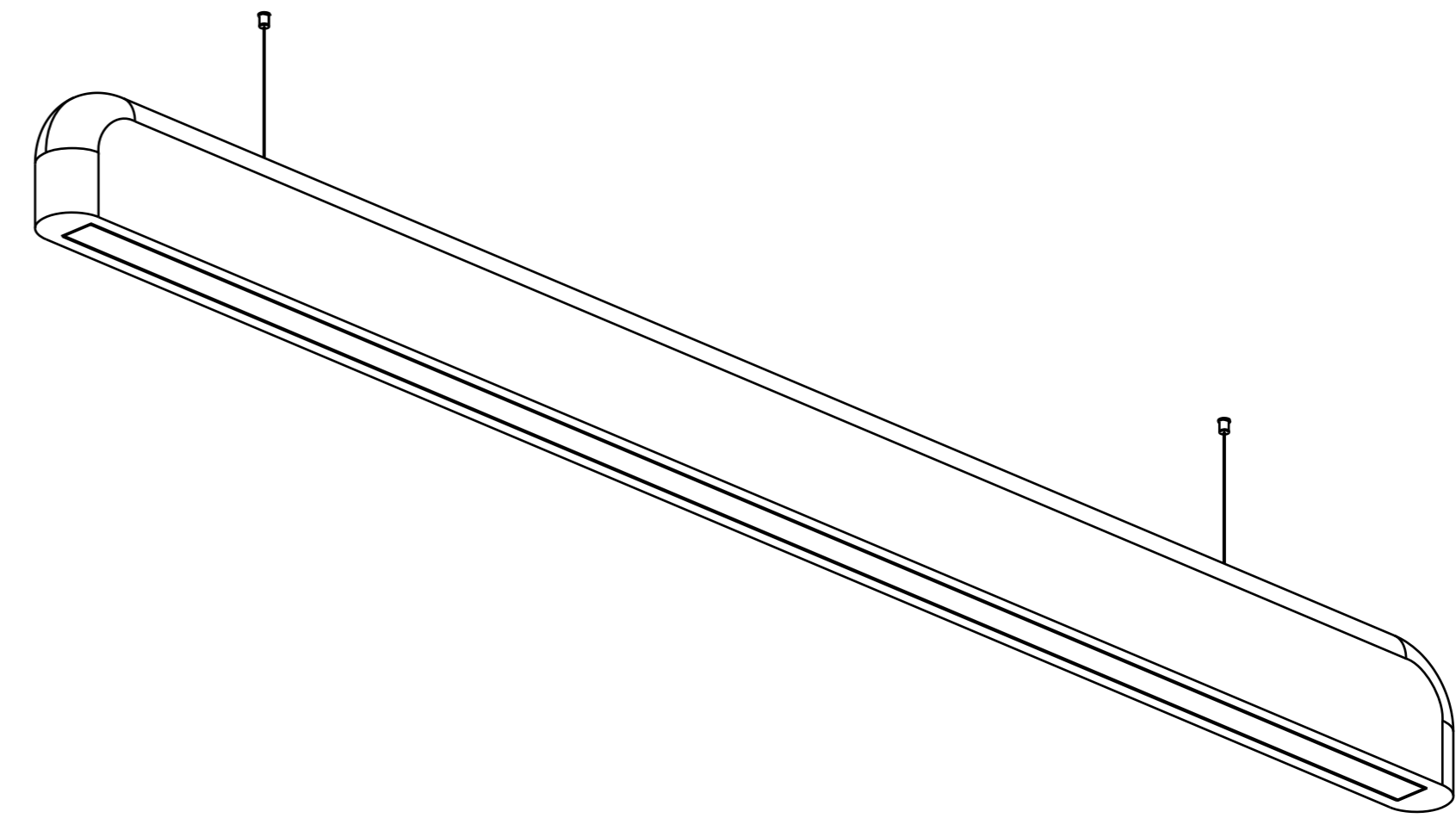
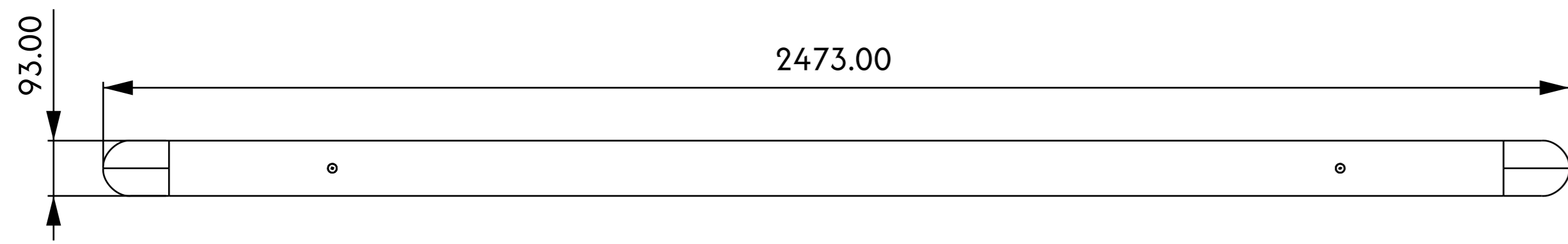
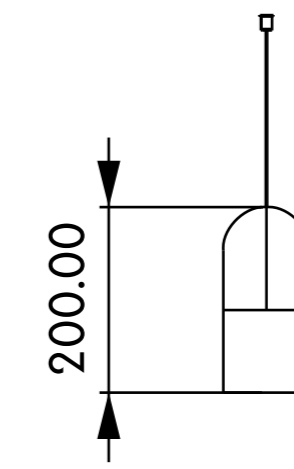
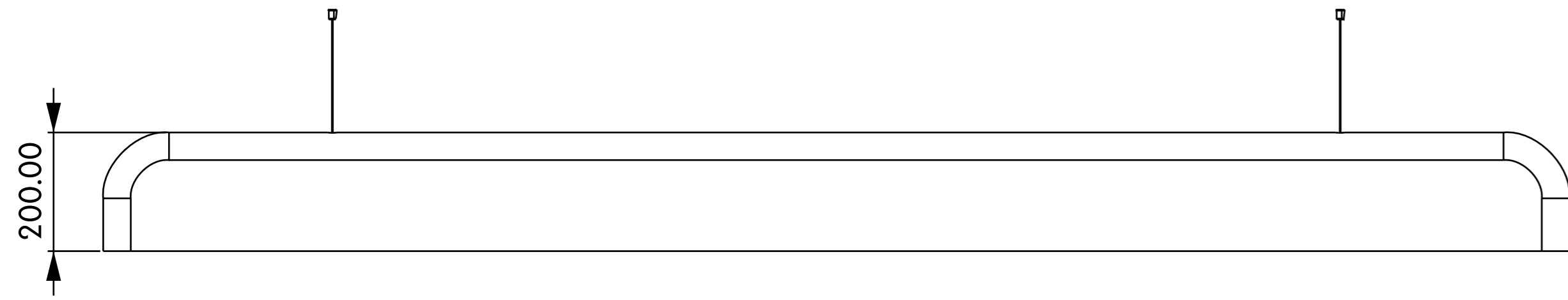


# Product Drawings

Echo - Small



# Echo - Large



## Light Technicals

|                   |   |   |
|-------------------|---|---|
| Construction      | : | Aluminum                                      |
| Diffuser          | : | PMMA  |
| UGR               | : | <19   |
| Life Span         | : | 50000 hours                                   |
| Color Consistency | : | 3 SDCM  |
| Drivers           | : | Constant current                              |
| Driver type       | : | ON/OFF, Dimmable version available on request |
| Operating Voltage | : | 220-240 V                                     |
| CRI               | : | 80/90   |
| CCT               | : | 3000K, 4000K, 6000K                           |
| Performance (LED) | : | Based On 4000K                                |
| • (S): L-1190 mm  | : | 24W / 2880 lm, 30W / 3600 lm, 36W / 4320 lm   |
| • (L): L-2365 mm  | : | 48W / 5760 lm, 60W / 7200 lm, 72W / 8640 lm   |

## Performance

### Fire Resistance:

#### 1. Plywood

IS 5509:2000 (With Amendments) | Time for second ignition: > 30 minutes | Conforms to Indian Fire-resistance standard for interior plywood

#### 2. Acoustic Foam (Polyurethane)

CA TB 117-2013 Section III | Flammability of Resilient fire material – Pass | Flame retardant in Upholstered Furniture – Pass

BS 5852 (Part 2):1982 | Flammability Test – Pass

#### 3. Fabrics

##### • Category A

BS 5852 Part 1: 1979 Ignition Source 0 & 1 |

Details: Cigarette Test & Match Test |

Result: PASS on both tests | Test Number: 187662

##### • Category B

AS/NZS 1530.3:1999 | Details: Simultaneous test for Ignitability, Flame Propagation, Heat Release & Smoke Release | Result: Passed | Test Number: 19-001329

## Sustainability

### Certifications & Compliance

- LEED v4: Supports EQ Credit (Low-Emitting Materials)
- Certified Low VOC materials
- EPD & HPD certified
- Declare Label compliant
- USGBC LEED compliant



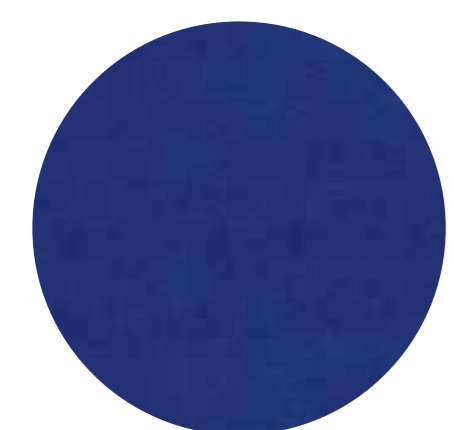
Declare.



## Fabrics

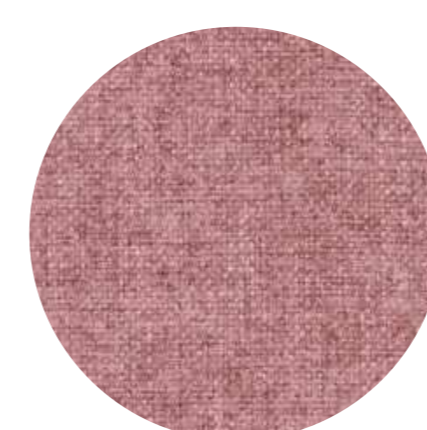
### CAT A : COLORWAYS

#### QUARTZ



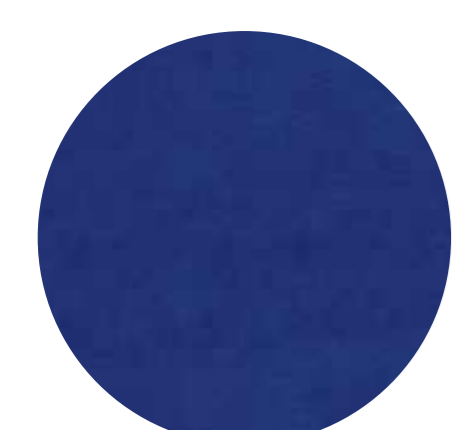
|                             |  |
|-----------------------------|--|
| <b>Composition</b>          | 100% Polyester                             |
| <b>Weight (per surface)</b> | 360 gsm                                    |
| <b>Width</b>                | 142 cm (min. usable 138 cm)                |
| <b>Abrasion resistance</b>  | 100,000 Wyzenbeek   90,000 Martindale      |
| <b>Flammability</b>         | CA TB 117 - 2013                           |
| <b>Fastness to light</b>    | 4/5  |
| <b>Fastness to rubbing</b>  | Wet - 4   Dry - 4/5                        |
| <b>Pilling</b>              | Martindale Pilling - 5   Brush Pilling - 5 |
| <b>Seam Slippage</b>        | Warp - 3 mm   Weft - 3 mm                  |

#### SHETLAND



|                             |  |
|-----------------------------|--|
| <b>Composition</b>          | 100% Polyester                             |
| <b>Weight (per surface)</b> | 280 gsm                                    |
| <b>Width</b>                | 145 cm (min. usable 138 cm)                |
| <b>Abrasion resistance</b>  | >100,000 Wyzenbeek   >45,000 Martindale    |
| <b>Flammability</b>         | BS 5852: Part 1 (1979)   CA TB 117-2013    |
| <b>Fastness to light</b>    | 5  |
| <b>Fastness to rubbing</b>  | Wet - 4   Dry - 4/5                        |
| <b>Pilling</b>              | Martindale Pilling - 4   Brush Pilling - 5 |
| <b>Seam Slippage</b>        | Warp - 1.67 mm   Weft - 2 mm               |

#### TWEED



|                             |   |
|-----------------------------|---|
| <b>Composition</b>          | 100% Polyester  |
| <b>Weight (per surface)</b> | 240 gsm   |
| <b>Width</b>                | 142 cm (min. usable 138 cm)   |
| <b>Abrasion resistance</b>  | 54,000 Wyzenbeek   100,000 Martindale   |
| <b>Flammability</b>         | CA TB 117 - 2013<br>BS 5852 Source 0,1 (cigarette & match)<br>EN 1021 Part1,2 (cigarette & match) |
| <b>Fastness to light</b>    | 5   |
| <b>Fastness to rubbing</b>  | Wet - 4   Dry - 4/5   |
| <b>Pilling</b>              | 3/4   |
| <b>Seam Slippage</b>        | Warp - 2 mm   Weft - 2 mm   |

## CAT B : COLORWAYS

### ELTON



|                             |                                      |
|-----------------------------|--------------------------------------|
| <b>Composition</b>          | 100% Polyester                       |
| <b>Weight (per surface)</b> | 275 gsm                              |
| <b>Width</b>                | 140 cm                               |
| <b>Abrasion resistance</b>  | 70,000 Wyzenbeek                     |
| <b>Flammability</b>         | AS/NZS 1530.3 - 1999                 |
| <b>Fastness to light</b>    | 5                                    |
| <b>Fastness to rubbing</b>  | Wet - 4/5   Dry - 4/5                |
| <b>Pilling</b>              | 5                                    |
| <b>Seam Slippage</b>        | Warp - 3.3 mm   Weft - 3 mm          |
| <b>Attributes</b>           | Halo Easy Care, Oekotex Standard 100 |

### FELIX



|                             |                                      |
|-----------------------------|--------------------------------------|
| <b>Composition</b>          | 100% Polyester                       |
| <b>Weight (per surface)</b> | 380 gsm                              |
| <b>Width</b>                | 142 cm                               |
| <b>Abrasion resistance</b>  | 100,000 Wyzenbeek                    |
| <b>Flammability</b>         | AS/NZS 1530.3 - 1999                 |
| <b>Fastness to light</b>    | 6                                    |
| <b>Fastness to rubbing</b>  | Wet - 5   Dry - 5                    |
| <b>Pilling</b>              | 5                                    |
| <b>Seam Slippage</b>        | Warp - 2 mm   Weft - 1.5 mm          |
| <b>Attributes</b>           | Halo Easy Care, Oekotex Standard 100 |

