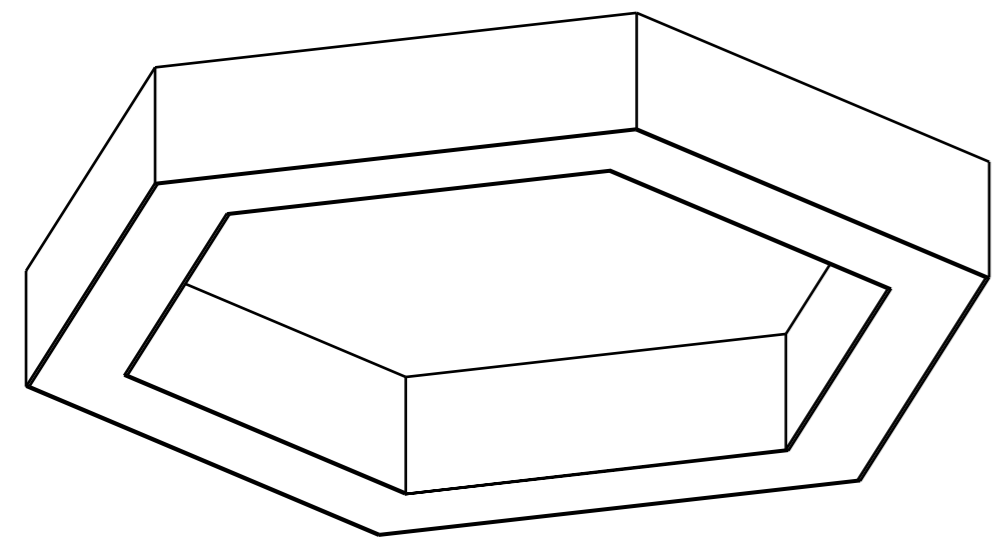


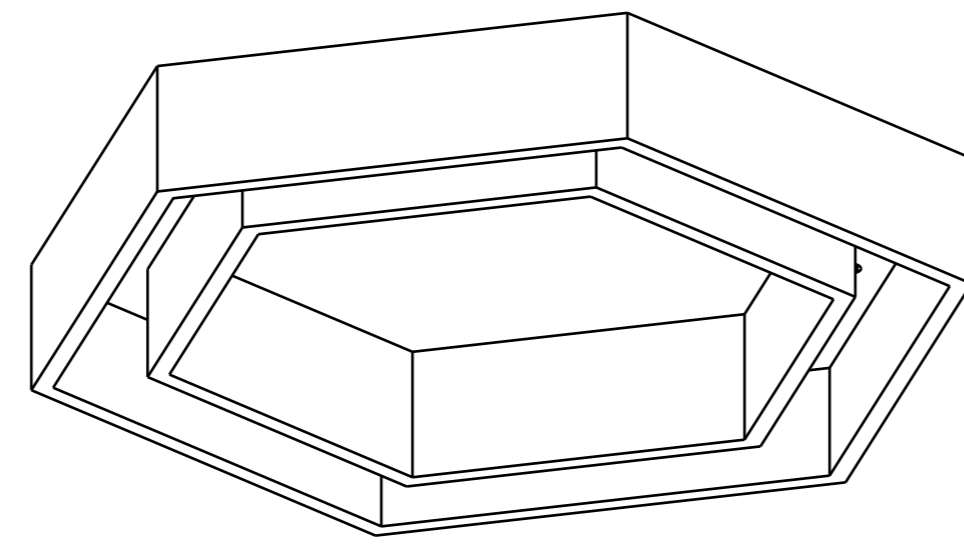


Installation Steps

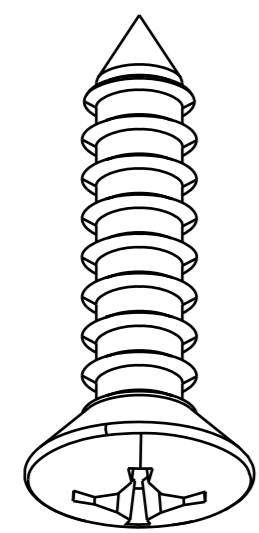
Part Overview



Hexo



Hexo with light



H

Screw M4 x 38 (3 nos)



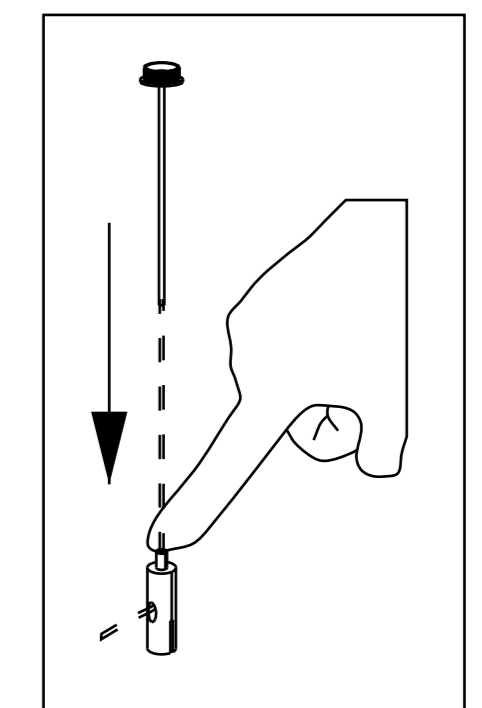
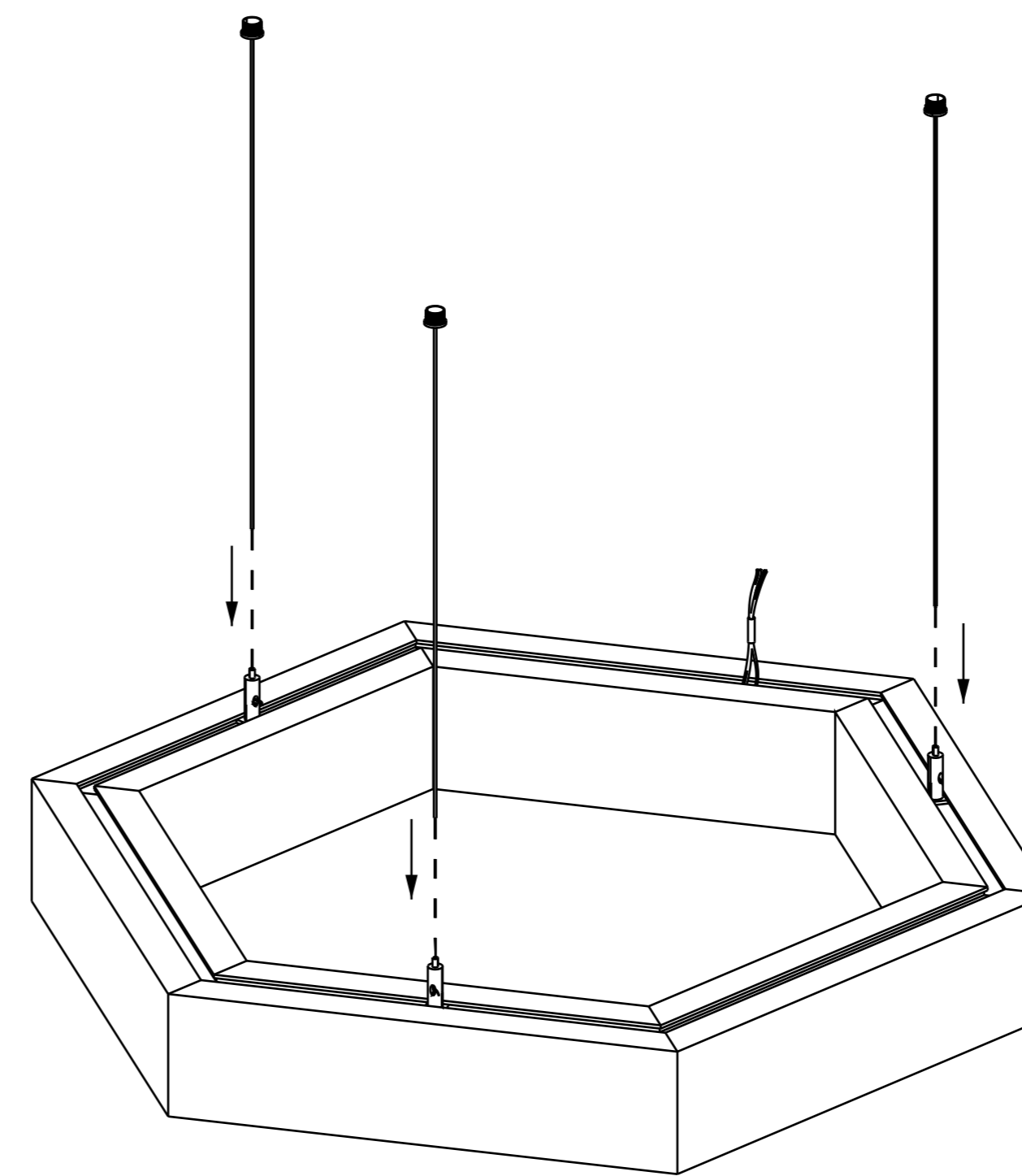
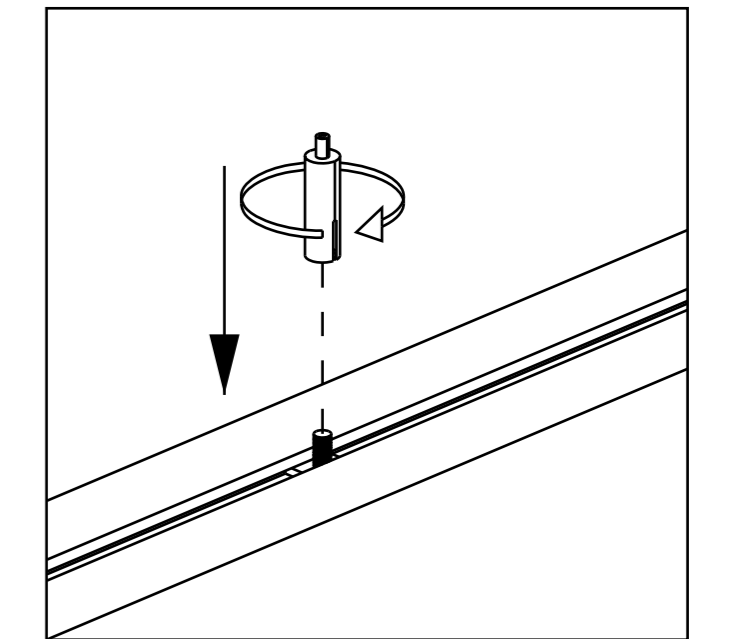
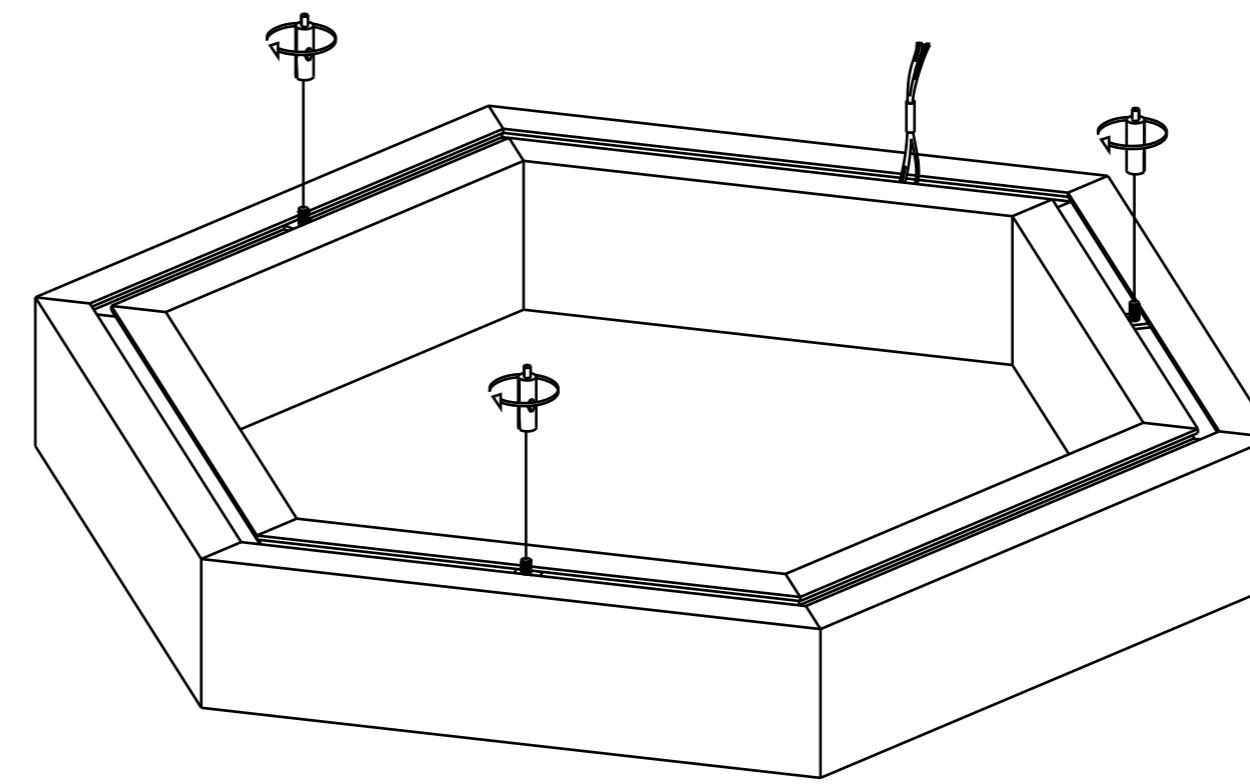
Top Bottom Hardware

(3 set)

Assembly

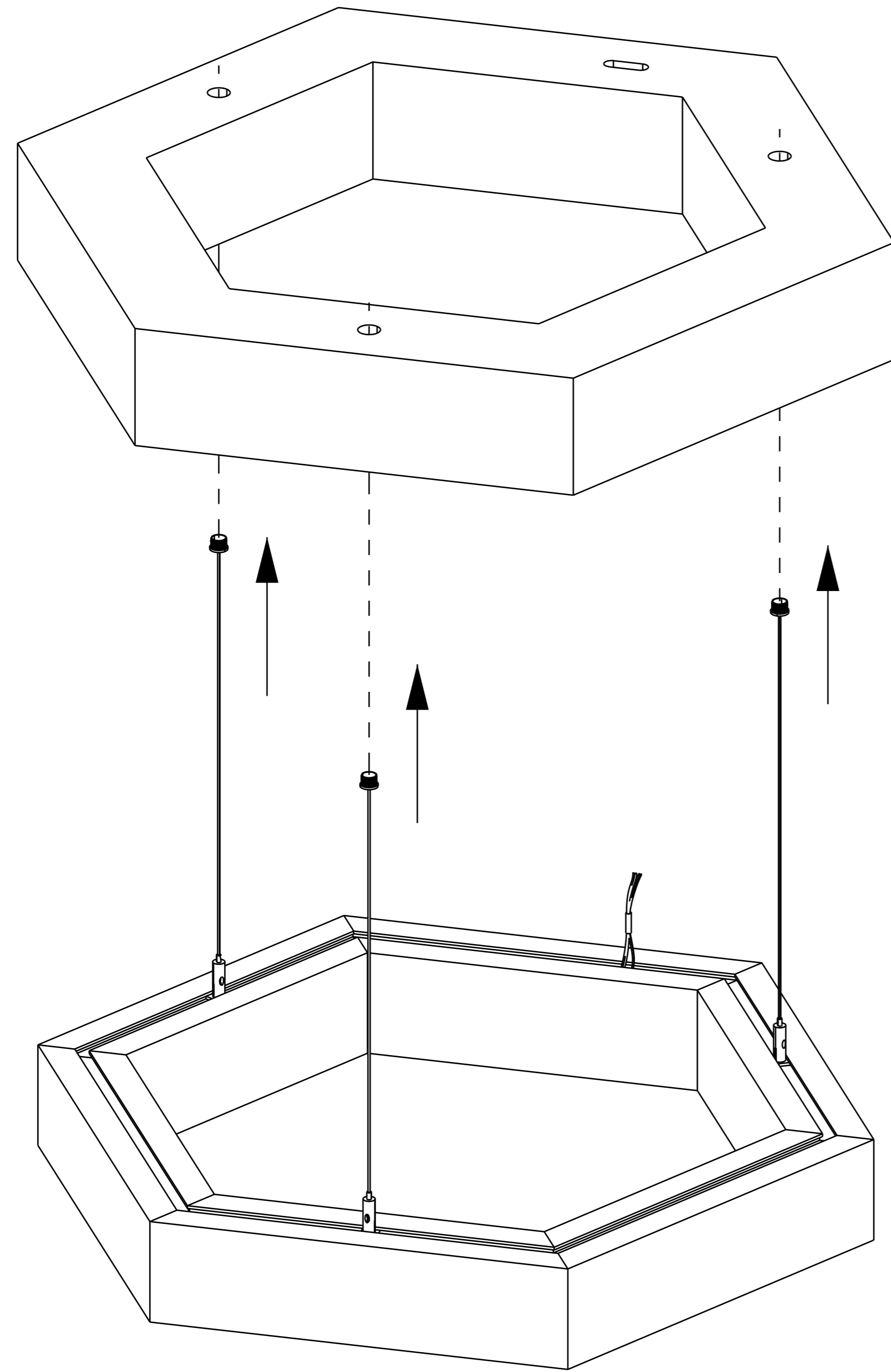
Step A:

Attach the bottom hardware by rotating it as shown in the illustration. Press the button and route the hardware as indicated in the close-up view.



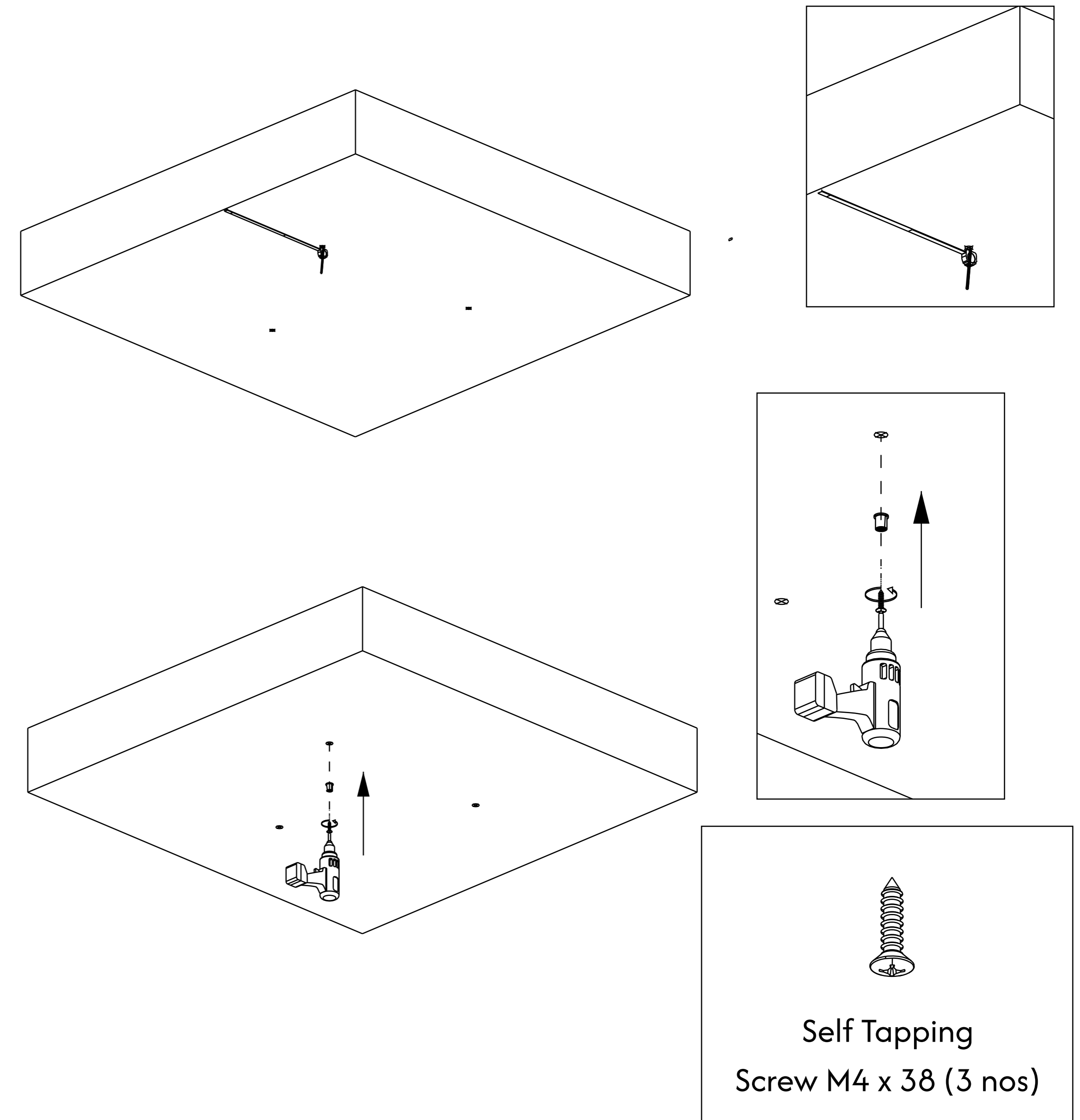
Step B:

Route the cable through the bottom of the light baffle and install as indicated.



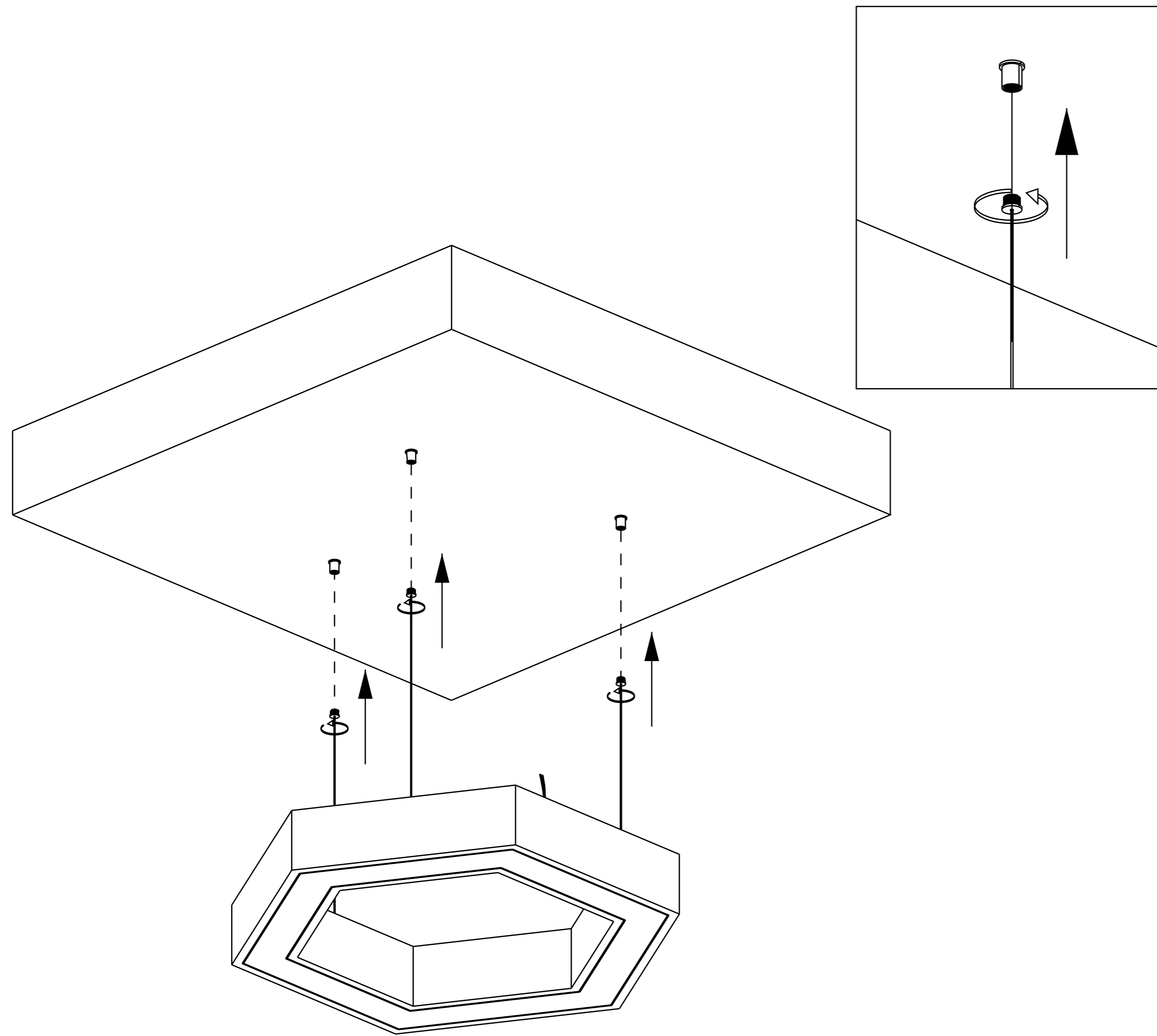
Step C:

Use a measuring tape to mark the position on the ceiling. Secure the top hardware to the ceiling as shown in the illustration.



Step D:

Attach the baffle light to the hardware as depicted in the close-up view.



 info@sensesakustik.com

 www.sensesakustik.com