



Technical Specifications

Composition

Base 100% PET (60% Recycled Content)

Applications Ceiling Mounted

Accessories Clutch Wire Systems

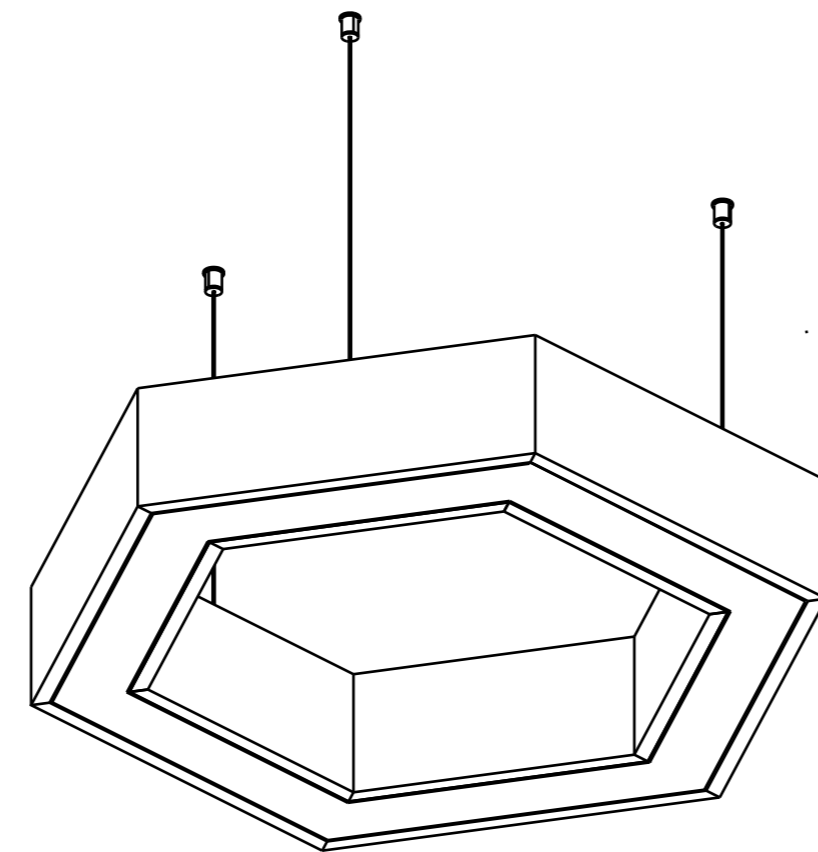
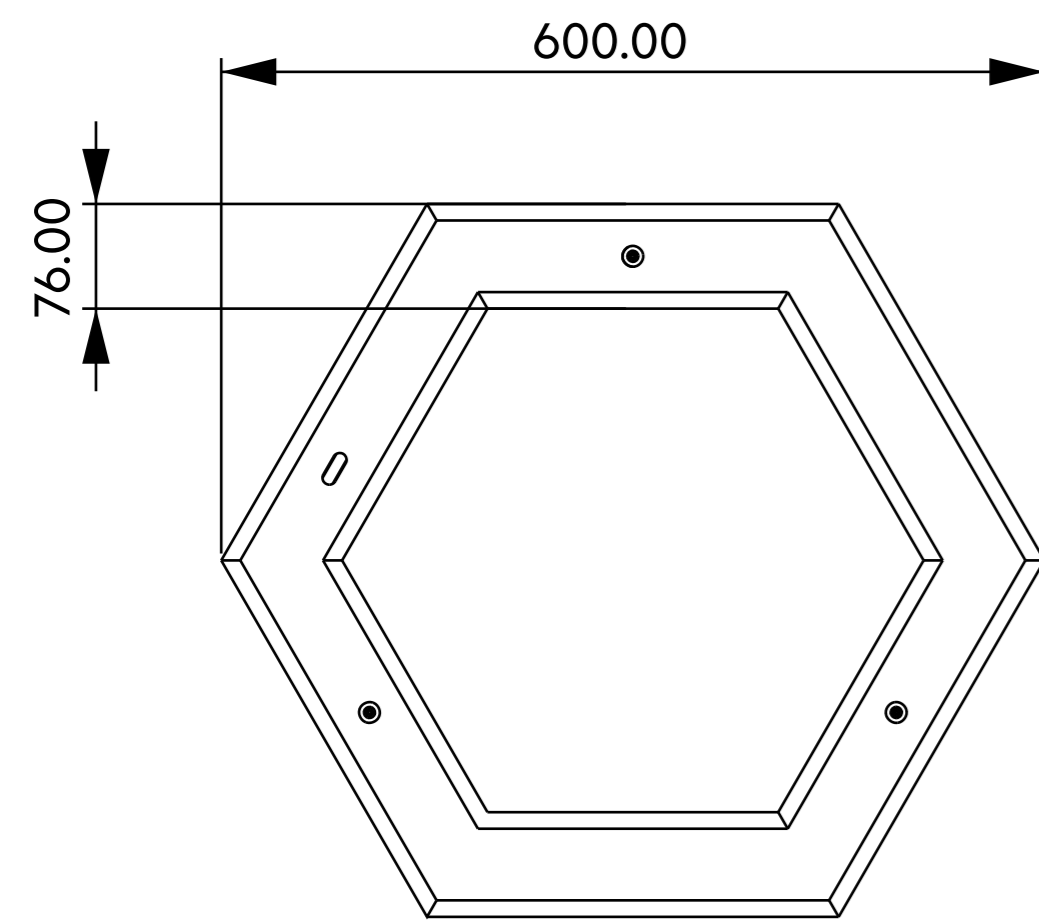
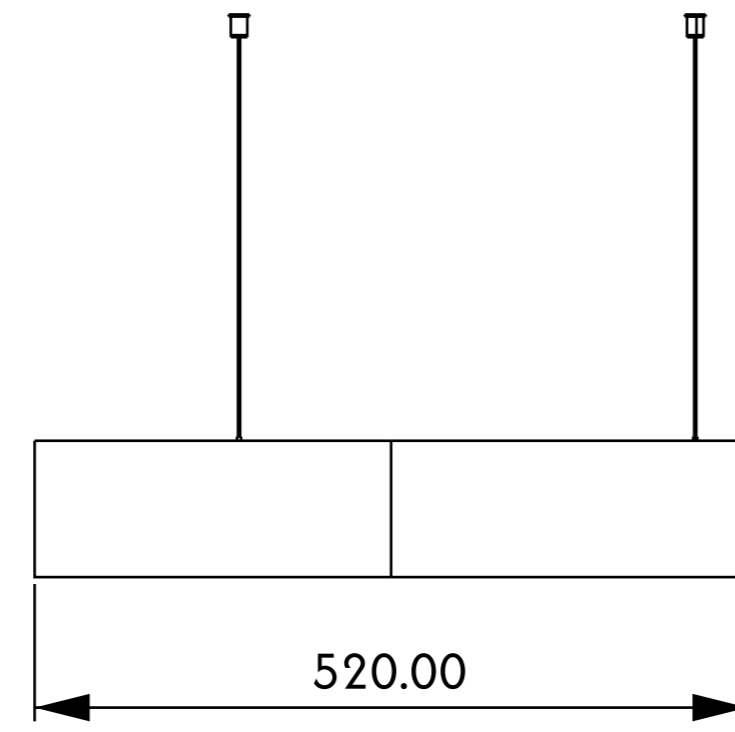
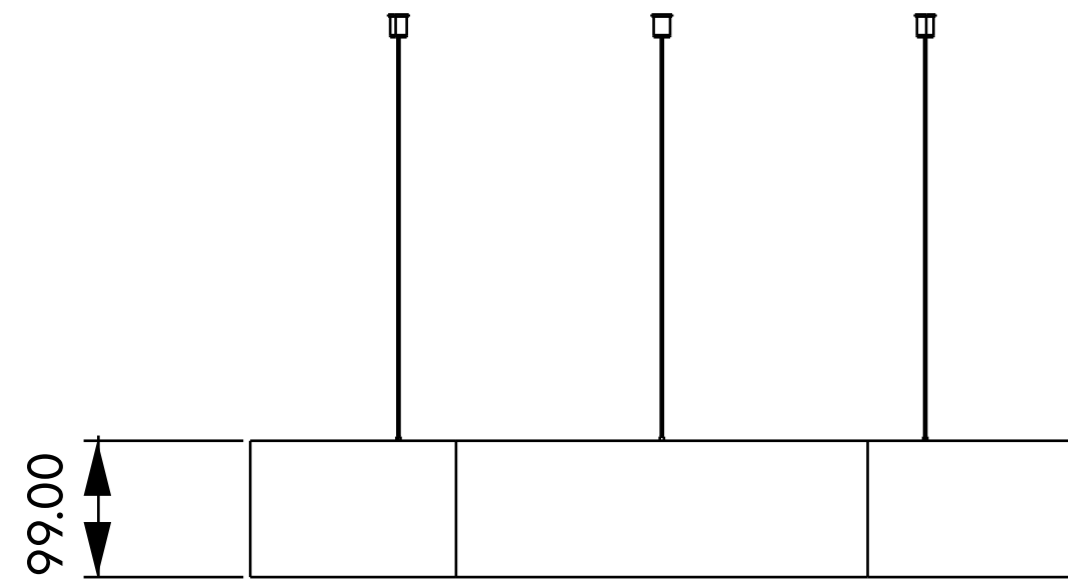
Dimensions

- (S) : Ø600 x 76 x 99 mm (L x T x H)
- (L) : Ø1200 x 76 x 99 mm (L x T x H)

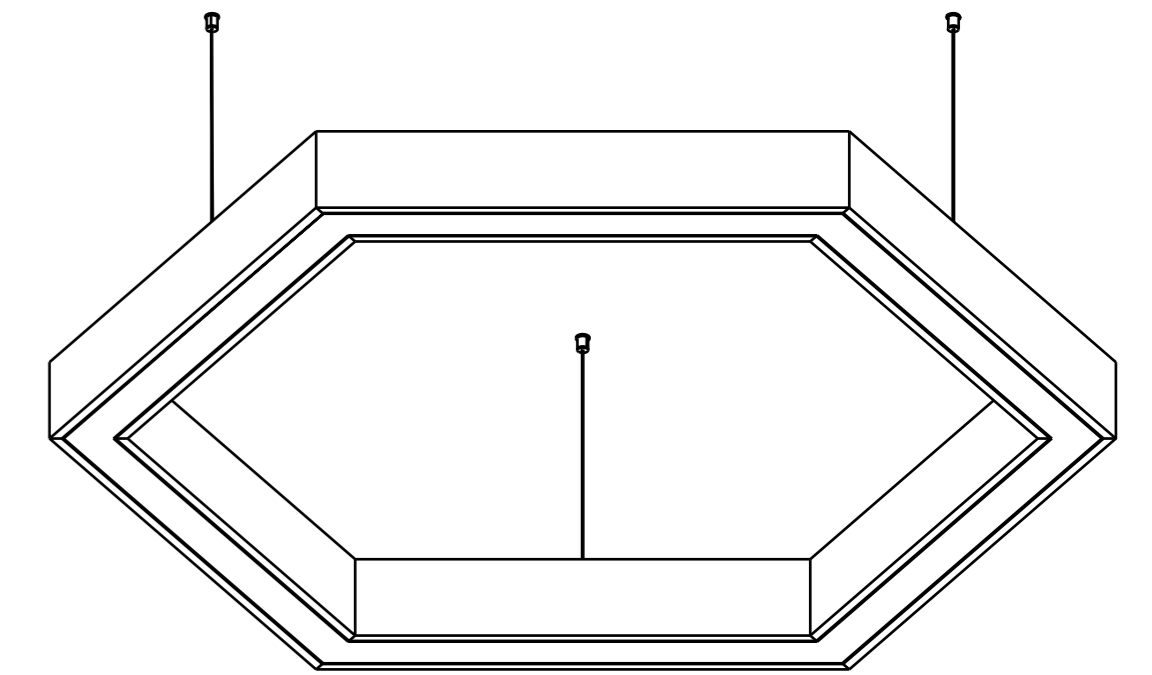
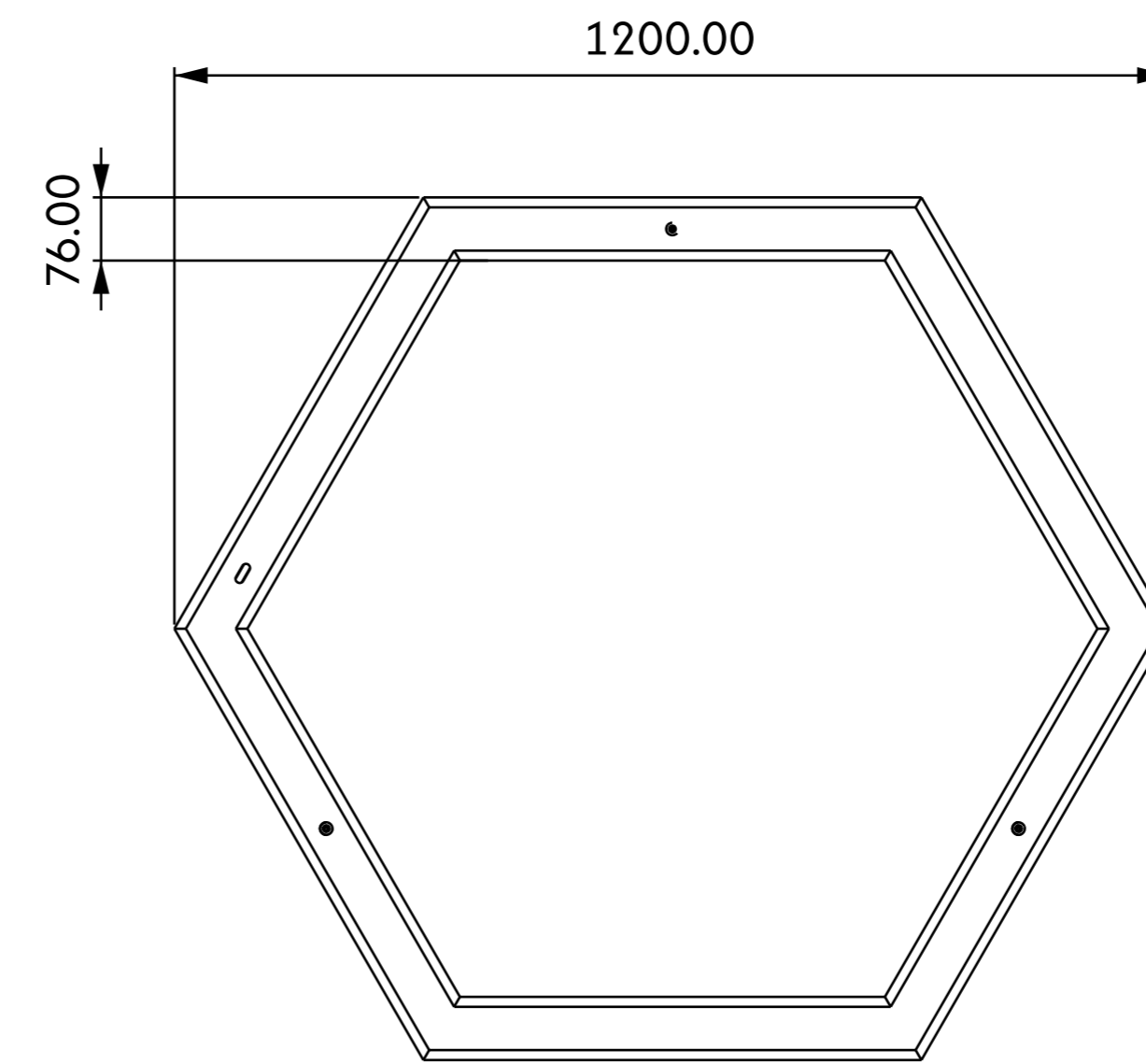
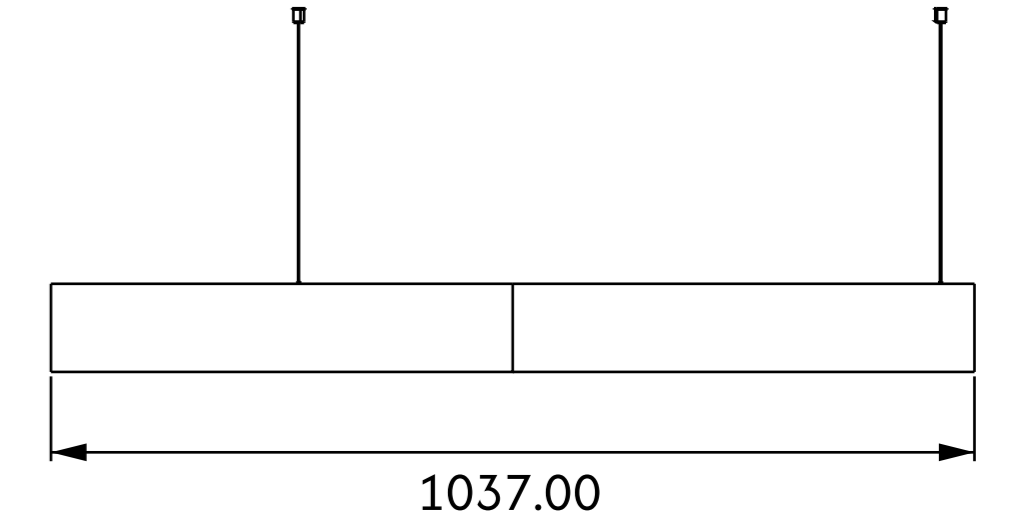
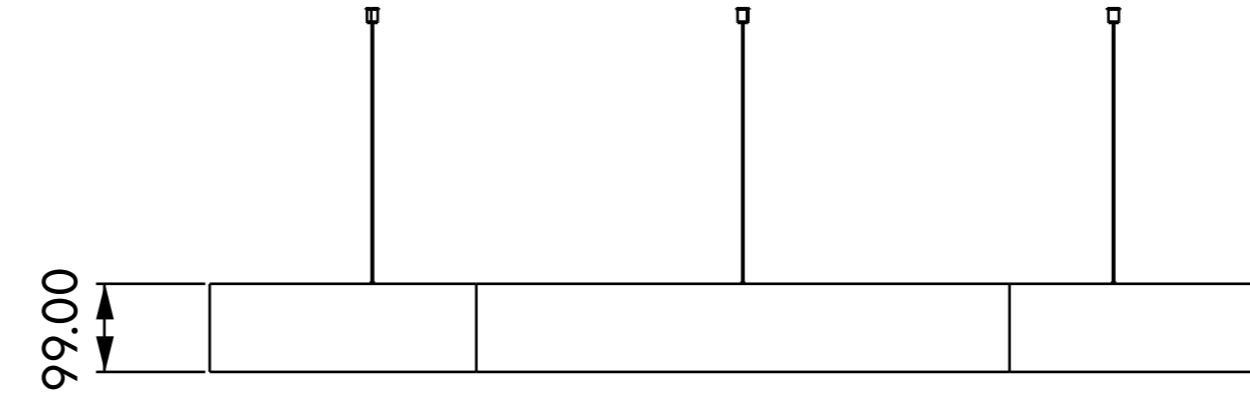


Product Drawings

Hexo - Small



Hexo - Large



Light Technicals

Construction	:	Aluminum
Diffuser	:	PMMA
UGR	:	<19
Life Span	:	50000 hours
Color Consistency	:	3 SDCM
Drivers	:	Constant current
Driver type	:	ON/OFF, Dimmable version available on request
Operating Voltage	:	220 - 240 V
CRI	:	80/90
CCT	:	3000K, 4000K, 6000K
Performance (LED)	:	Based On 4000K
• (S): Ø570 mm	:	30W / 3600 lm
• (L): Ø1170 mm	:	90W / 10800 lm

Performance

Fire Resistance: ASTM E84- 2021 | Flame Spread Index: Class 1 or A | Smoke Developed Index: Class 1 or A
BS EN 13501-1:2018 | Classification: B – s1, d0 | Result: Pass
AS/NZS 1530.3:1999| Flame Spread Index: 0 | Smoke Index: 2

VOC Emissions CDPH Standard Method v1.2 | Section 01350 – Low-emitting materials for schools and offices

Sustainability Certifications & Compliance:t

- LEED v4: Supports EQ Credit (Low-Emitting Materials)
- Certified Low VOC materials
- EPD & HPD certified
- Declare Label compliant
- USGBC LEED compliant



COLORLINE

PLAIN



Composition	100% PET (60% Recycle Content)
Thickness	12 mm ($\pm 10\%$), 24 mm ($\pm 10\%$)
Flammability	class 1 or A (ASTM E84)
Smoke Development Index	288 (ASTM E84)

 info@sensesakustik.com

 www.sensesakustik.com