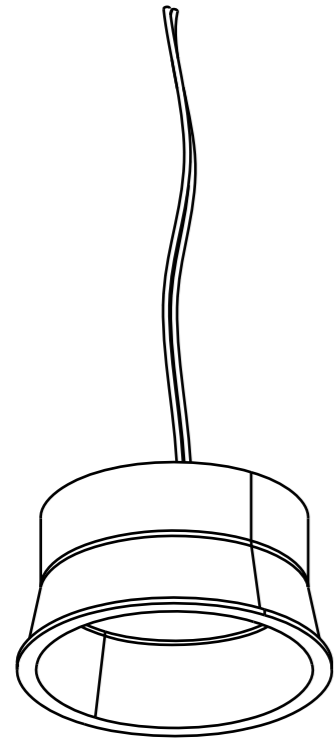
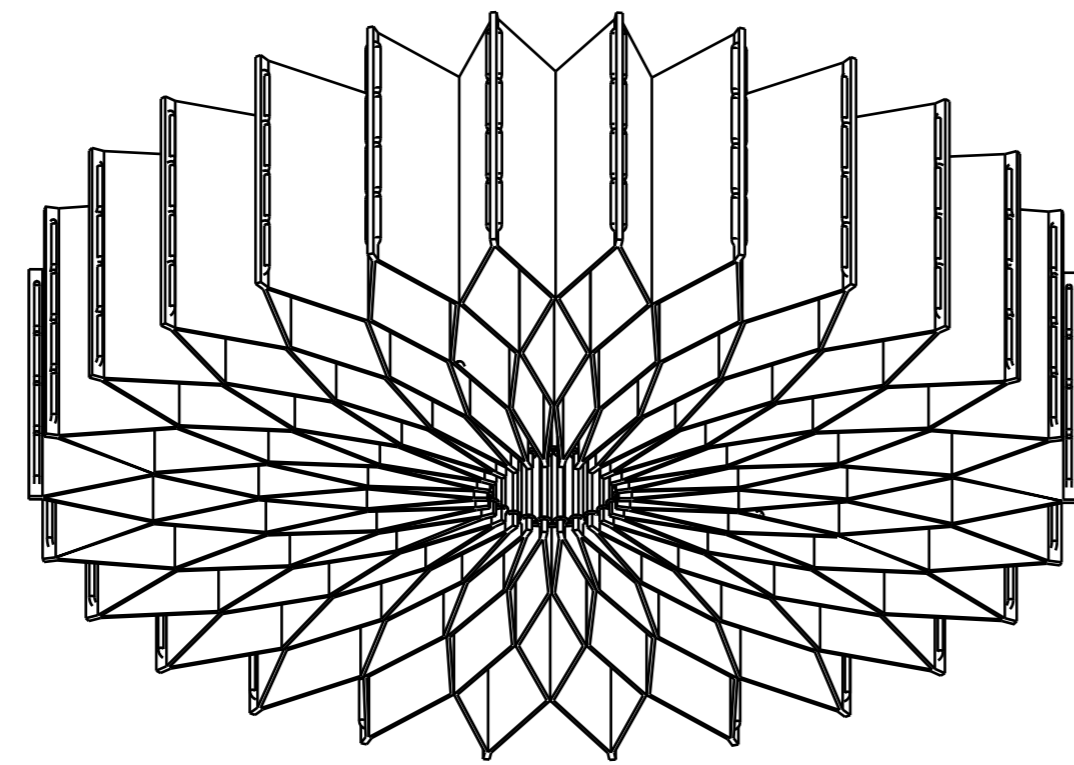


# Installation Steps

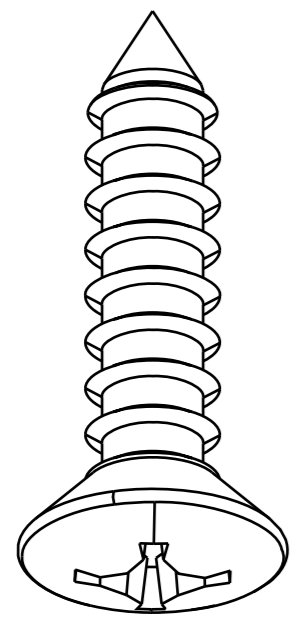
## Part Overview



Light



Nexus



Self Tapping  
Screw M4 x 38 (4 nos)

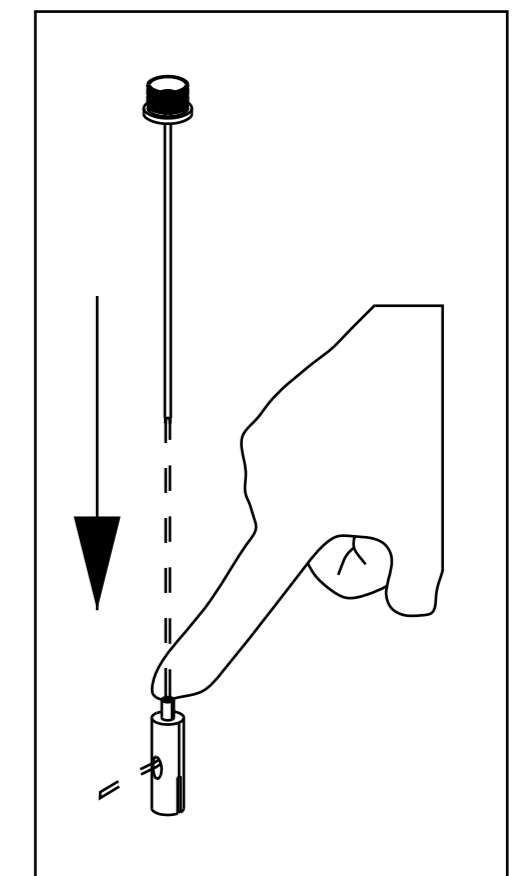
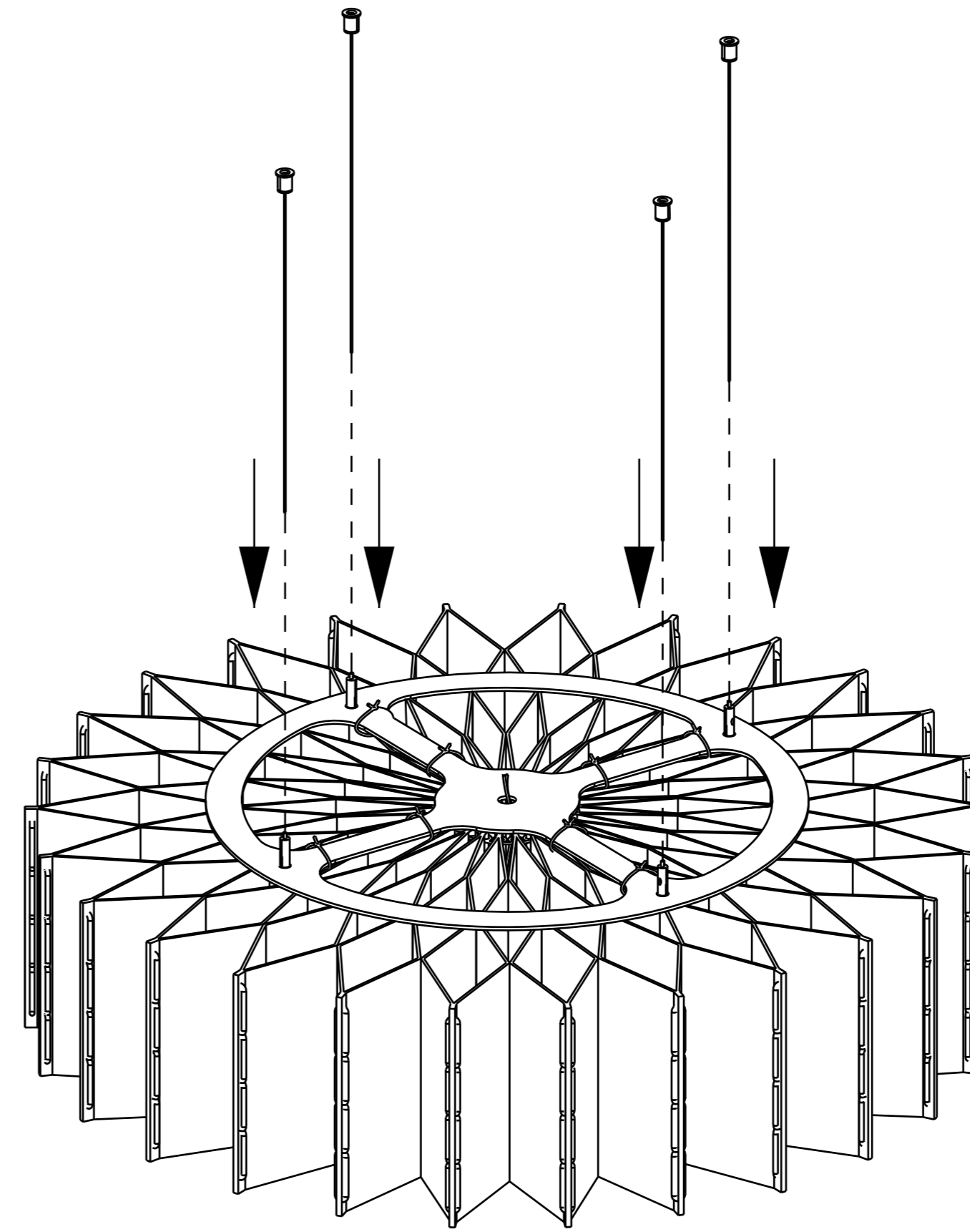


Top Bottom Hardware  
(4 set)

## Assembly

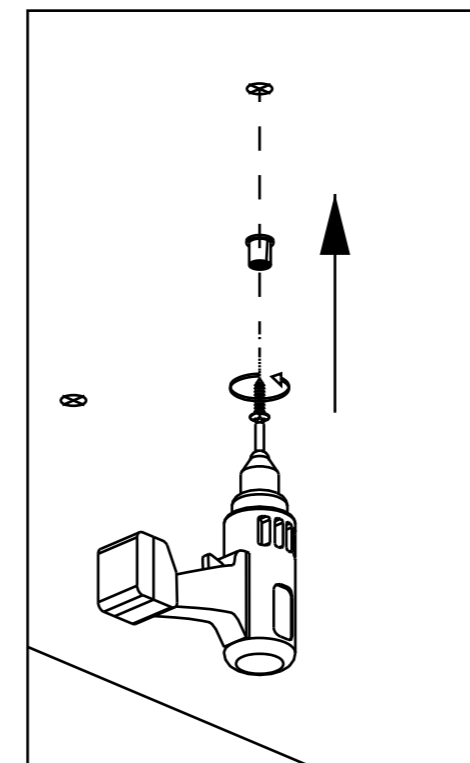
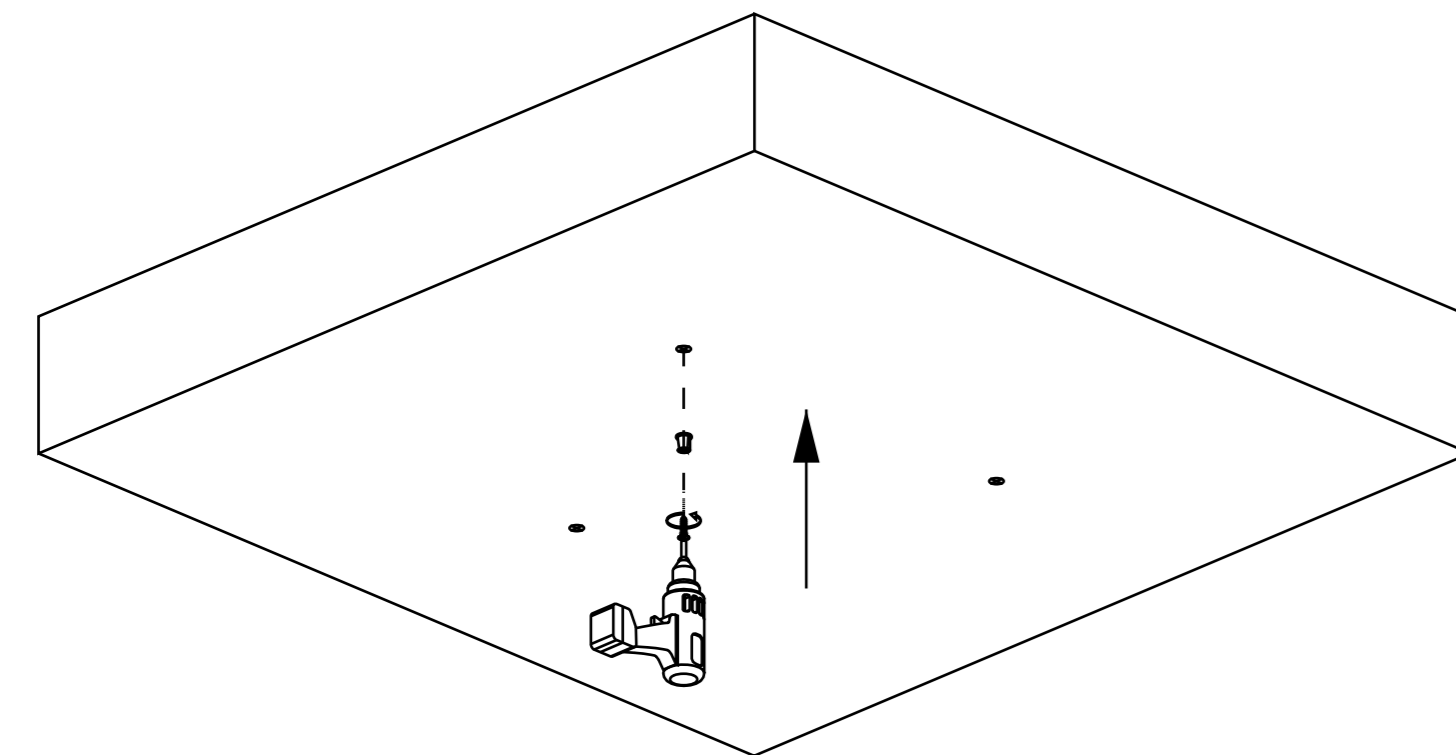
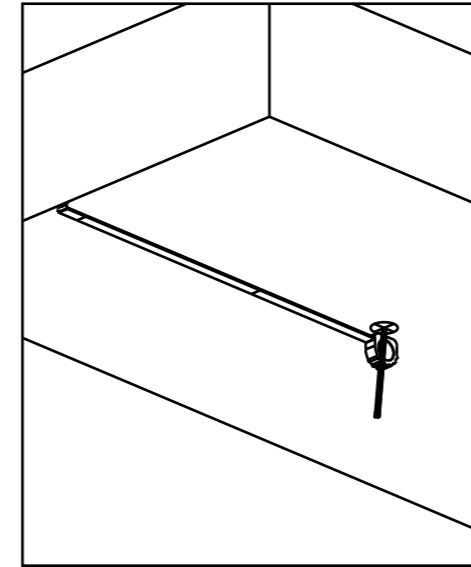
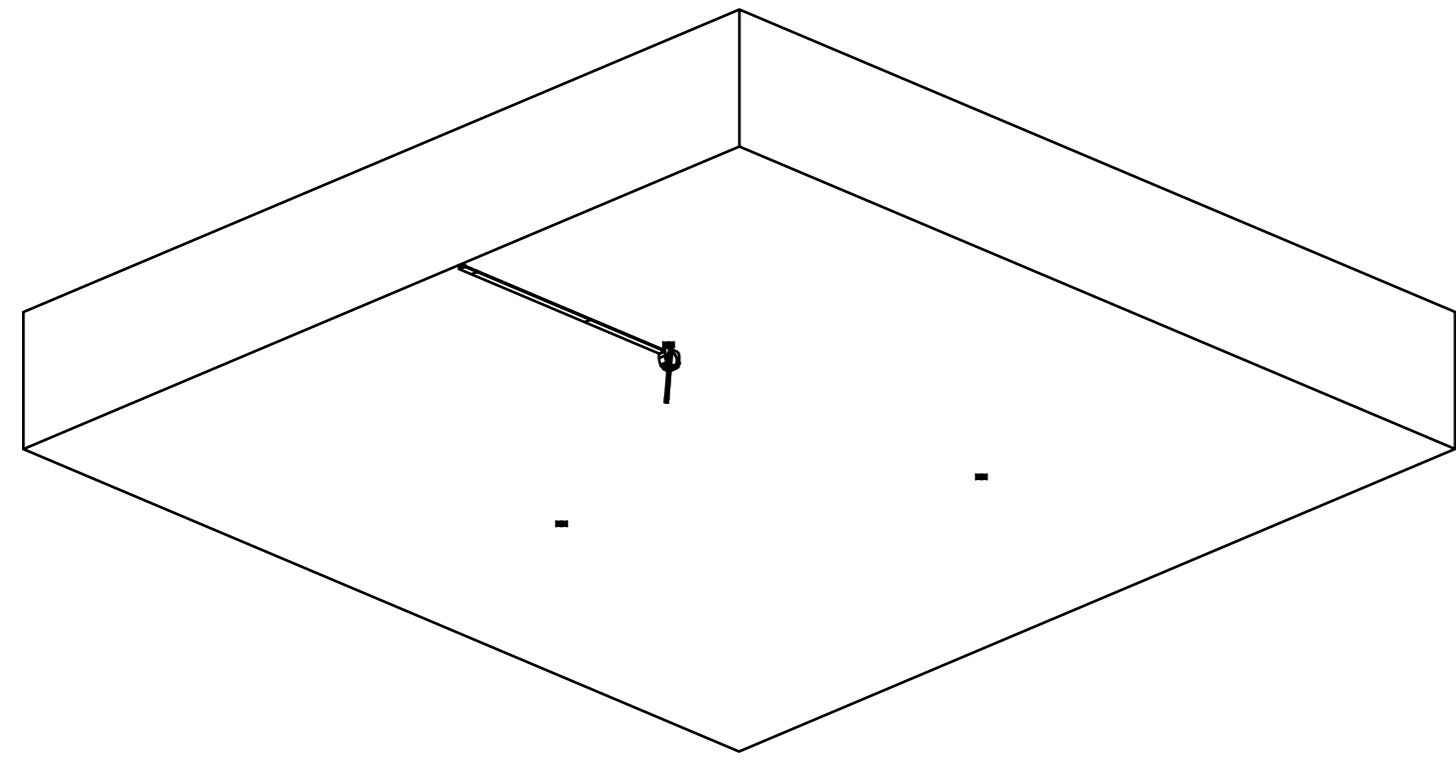
### Step A:

Press the button and route the hardware as depicted in the close up view.



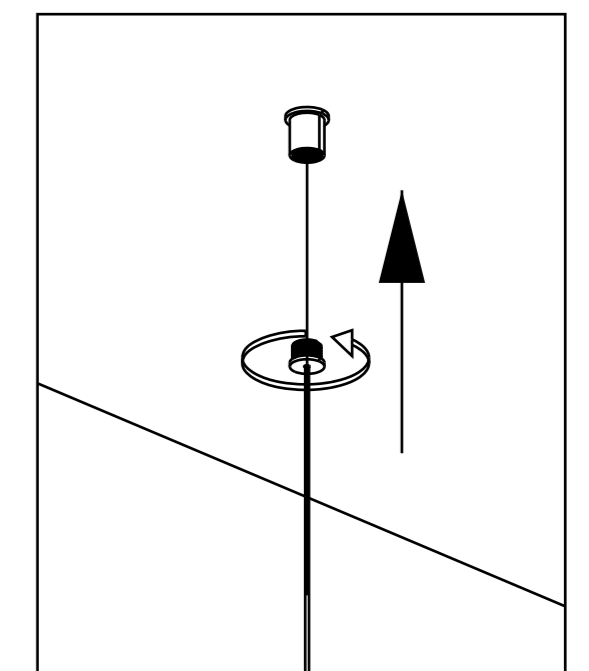
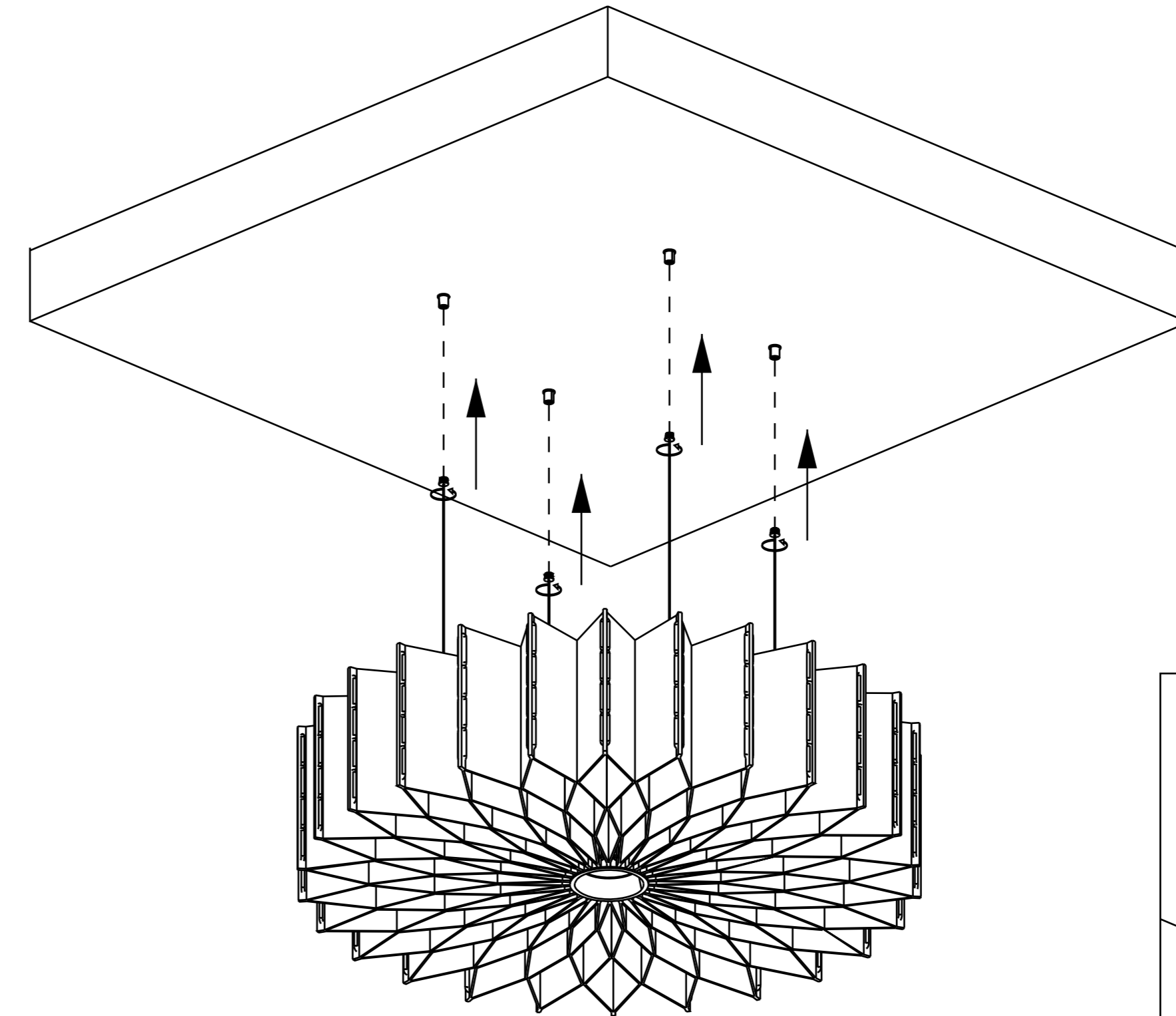
### Step B:

Mark the position on the ceiling using mearing tape. Secure the top hardware with the ceiling as depicted in the illustration.



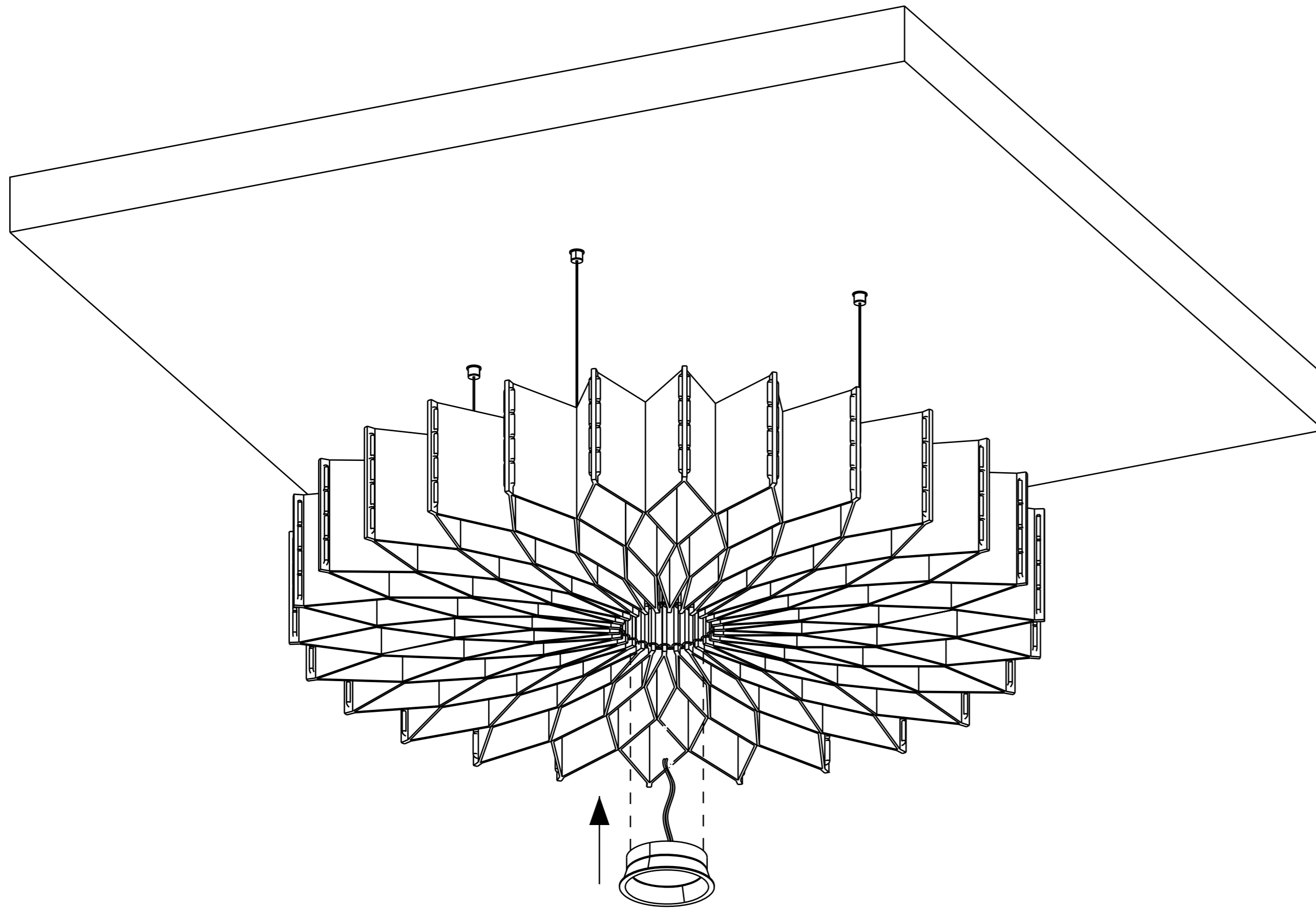
### Step C:

Secure the Nexus with the hardware as depicted in the close-up view.



Step D:

Fix the light in the center of Nexus.



 [info@sensesakustik.com](mailto:info@sensesakustik.com)

 [www.sensesakustik.com](http://www.sensesakustik.com)