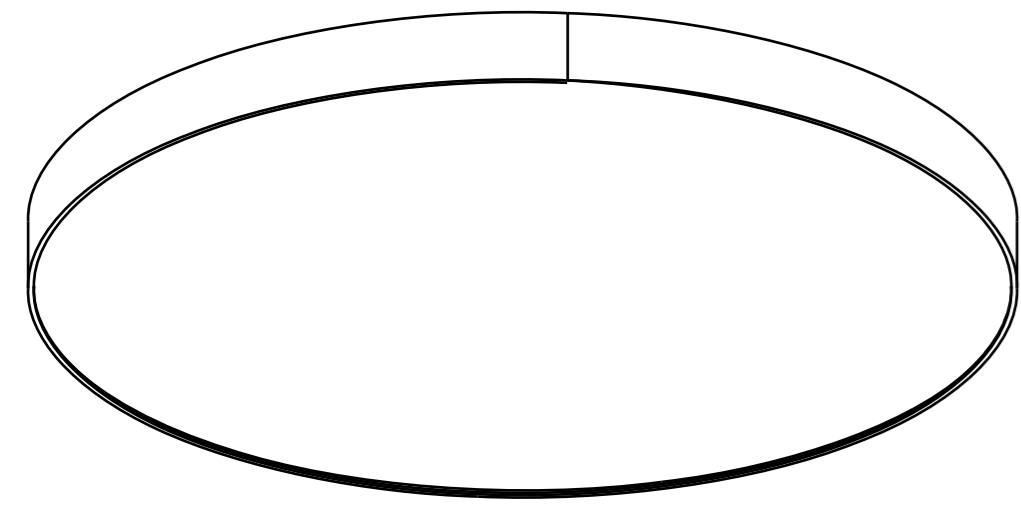


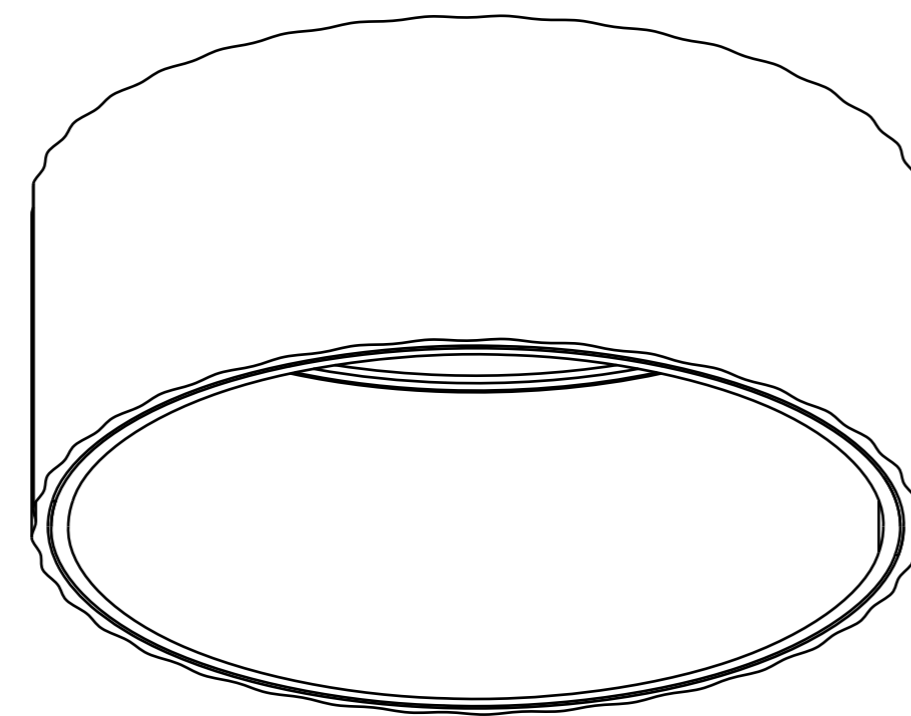


# Installation Steps

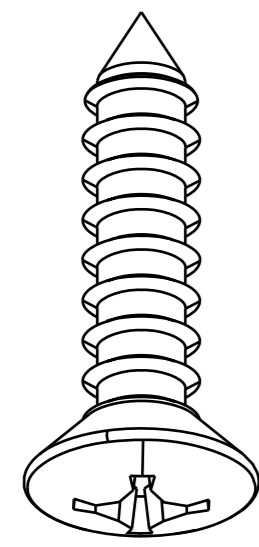
## Part Overview



Shell



Shell with light



Self Tapping  
Screw M4 x 38 (3 nos)

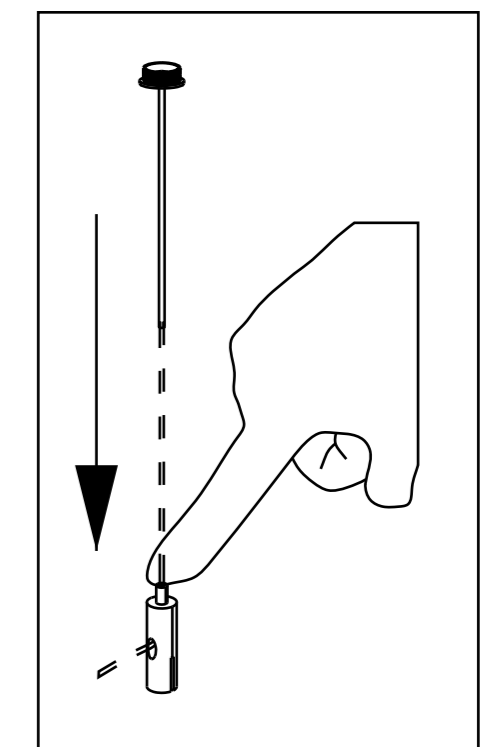
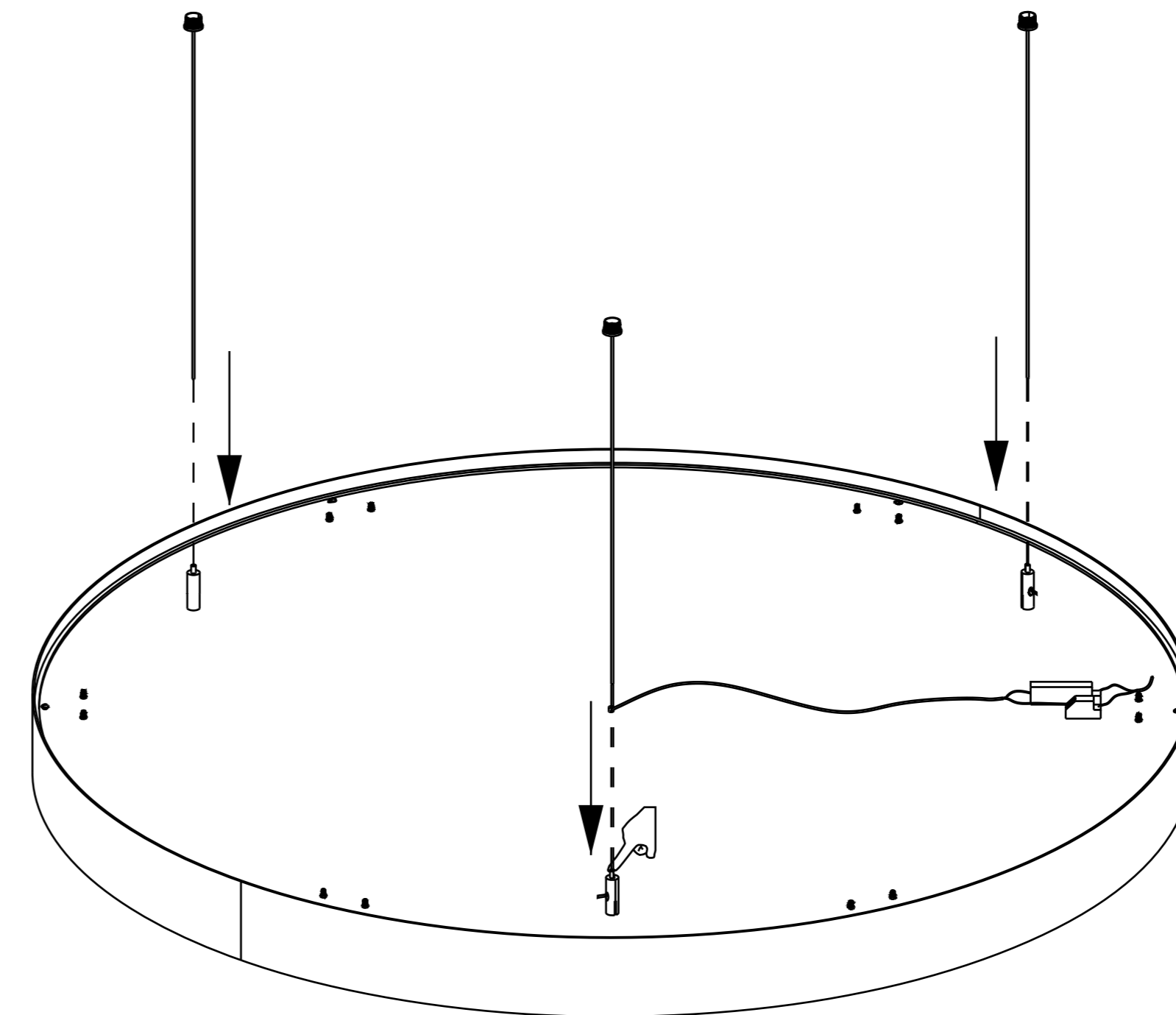
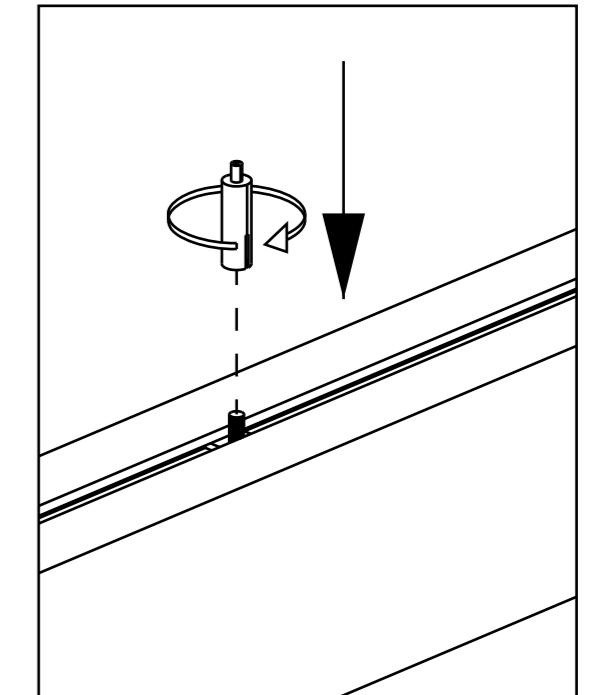
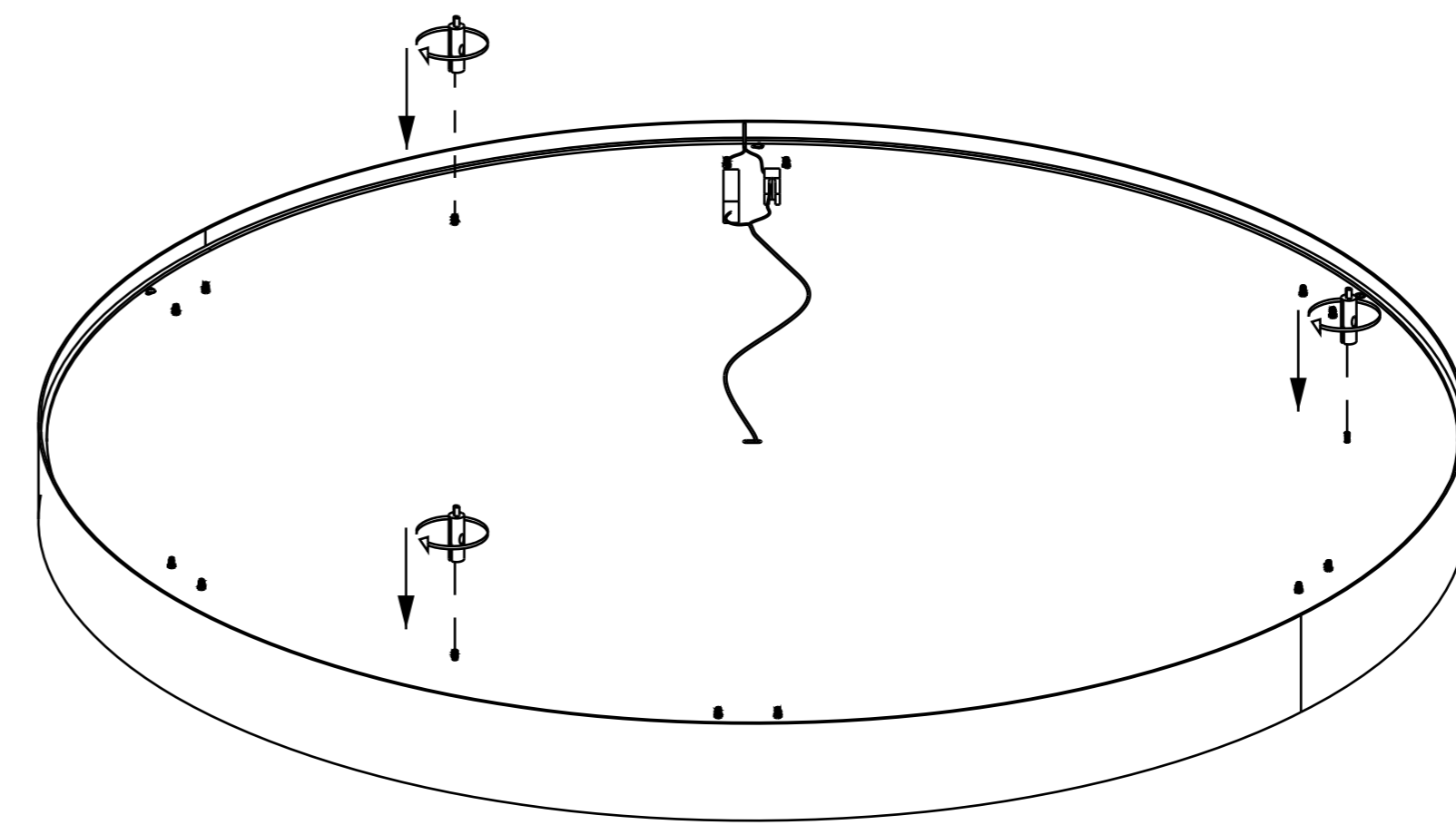


Top Bottom Hardware  
(3 set)

## Assembly

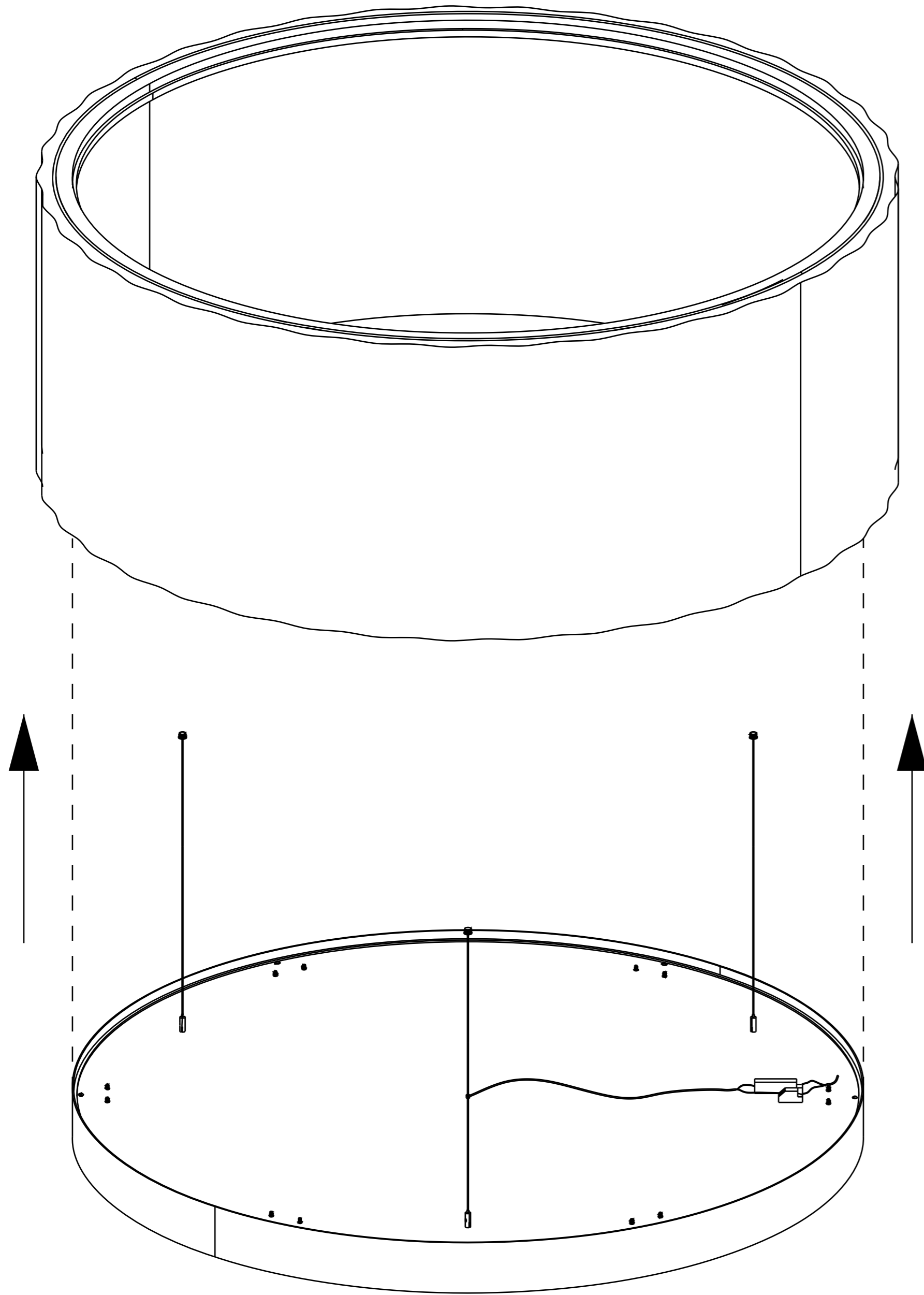
### Step A:

Attach the bottom hardware by rotating it as shown in the illustration. Press the button and route the hardware as indicated in the close-up view.



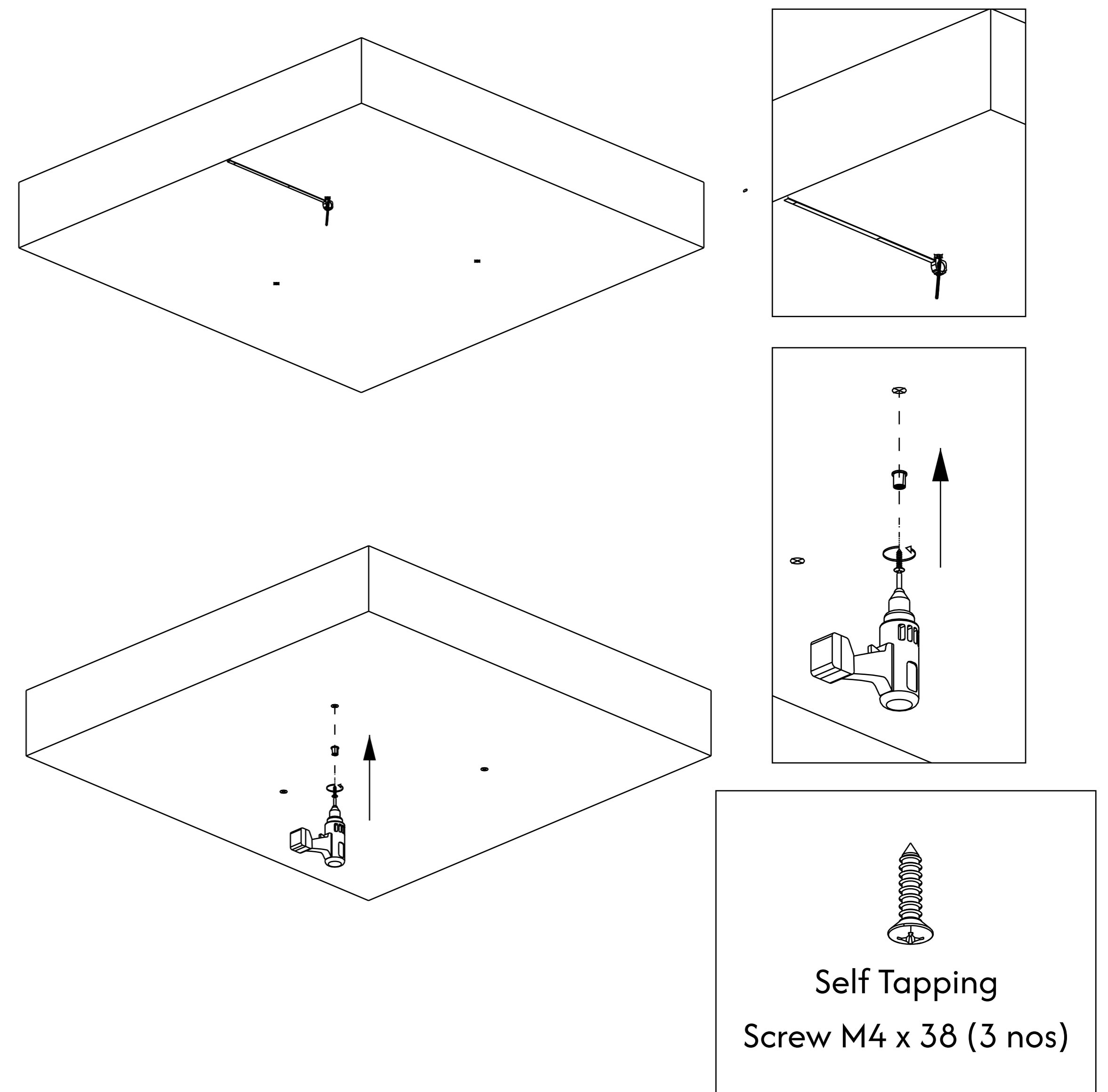
### Step B:

Install the light as shown in the illustration.



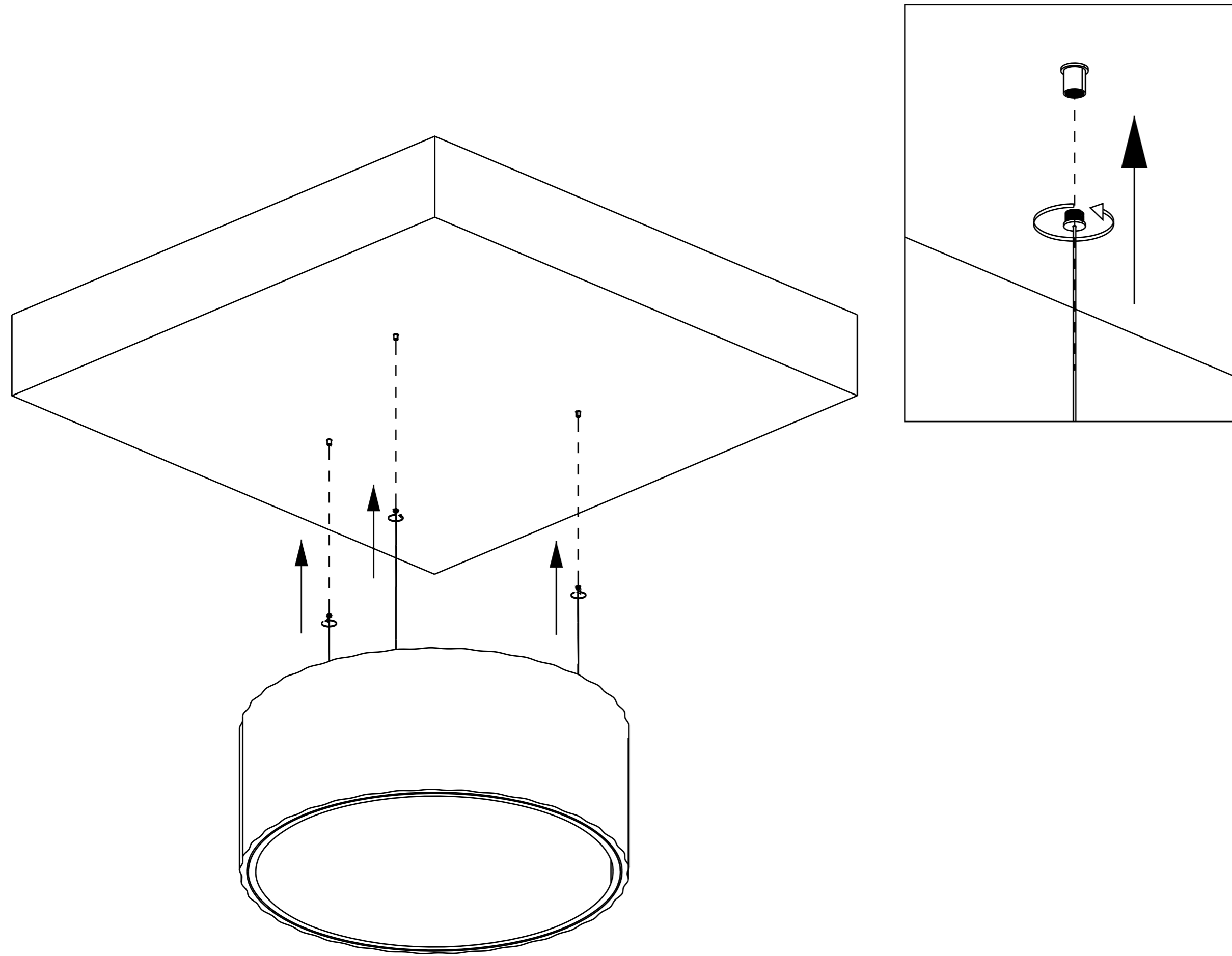
### Step C:

Use a measuring tape to mark the position on the ceiling. Secure the top hardware to the ceiling as shown in the illustration.



Step D:

Attach the baffle light to the hardware as depicted in the close-up view.



 [info@sensesakustik.com](mailto:info@sensesakustik.com)

 [www.sensesakustik.com](http://www.sensesakustik.com)