



## Technical Specifications

### Composition

Base	Plywood
Core	Acoustic Foam (Polyurethane)
Finish	Fabrics
Applications	Ceiling Mounted
Accessories	Clutch Wire Systems

### Patterns & Dimensions

**Pattern** Plain, Ribbed & Uneven Ribbed

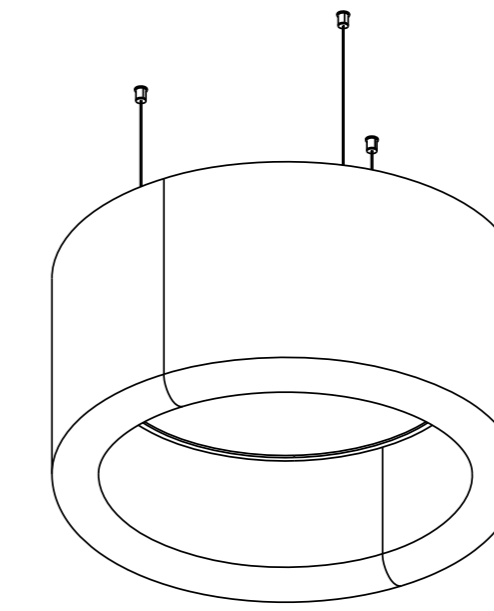
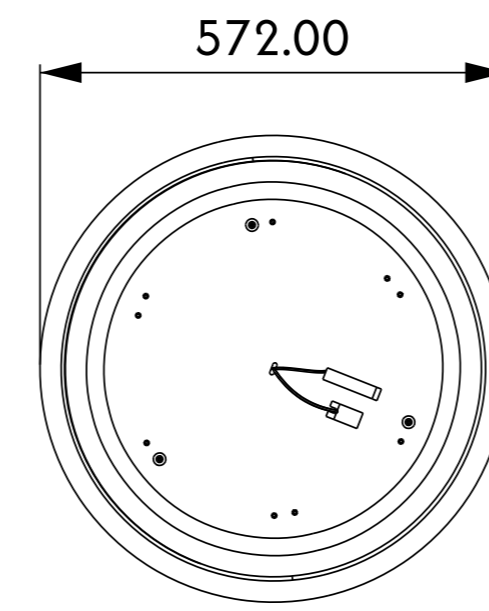
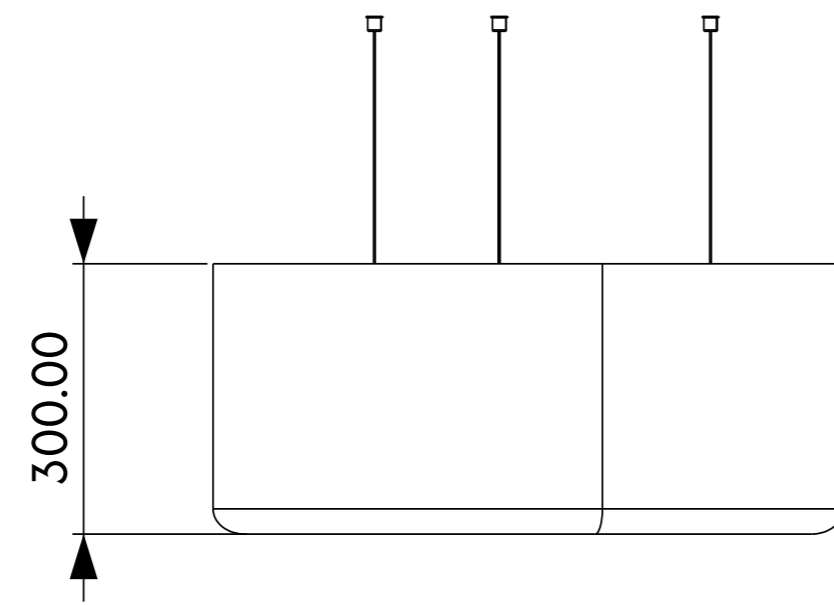
**Dimensions**  
(S) : Ø572 x 61 x 300 mm (L x T x H)  
(M) : Ø722 x 61 x 300 mm (L x T x H)  
(L) : Ø872 x 61 x 300 mm (L x T x H)  
(XL) : Ø1322 x 61 x 300 mm (L x T x H)



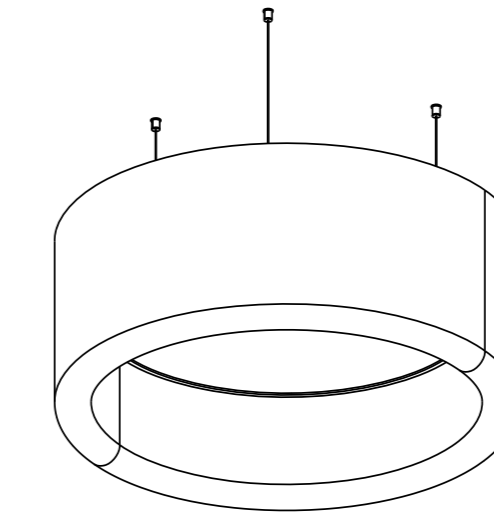
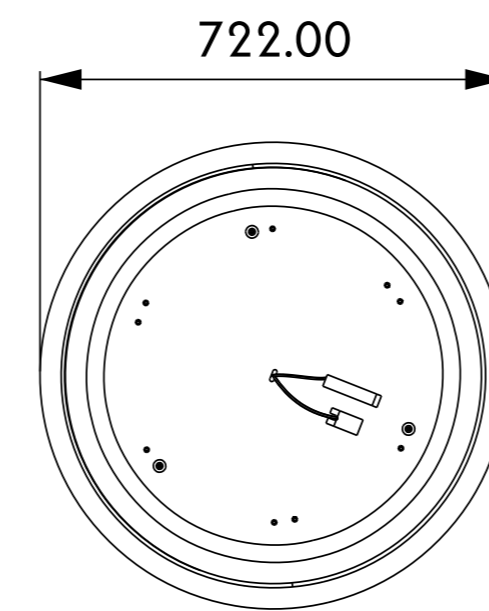
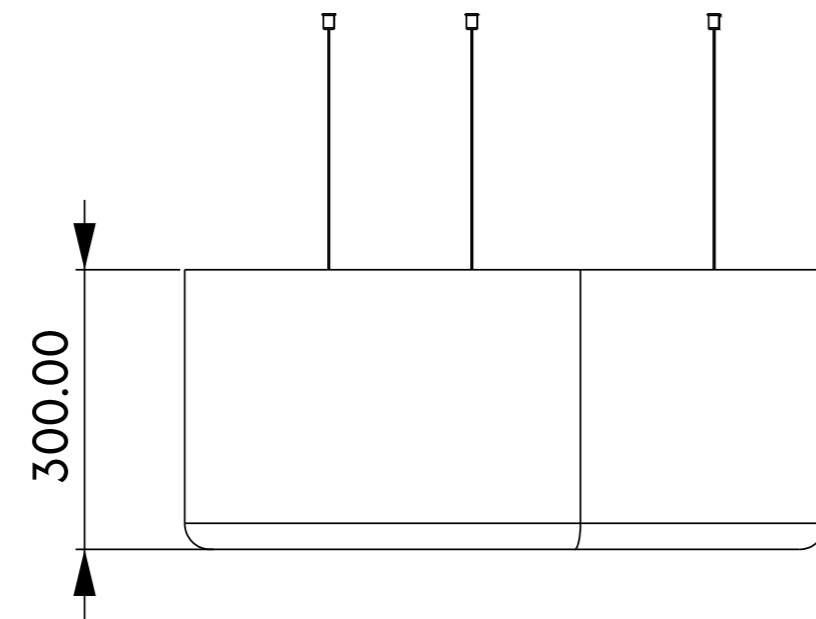
# Patterns & Dimensions

Shell - Plain

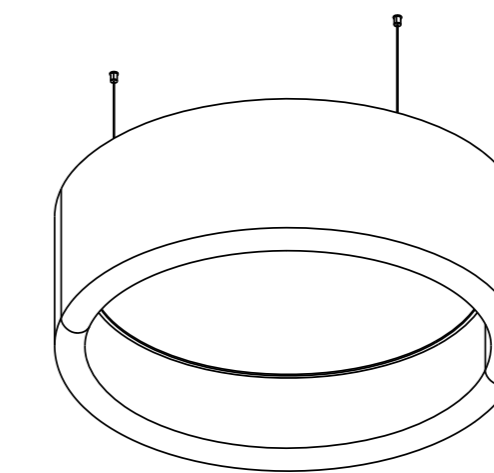
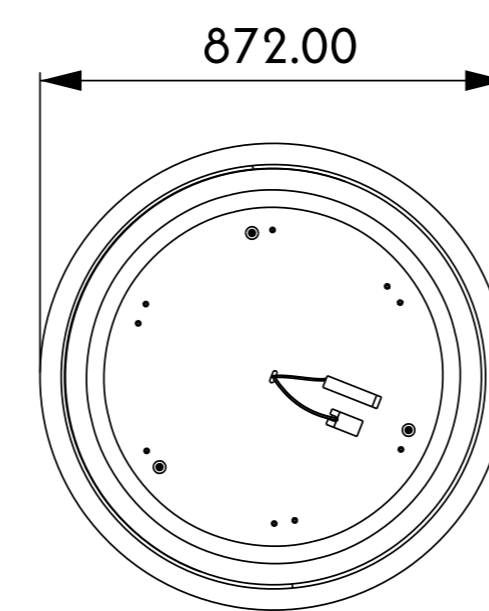
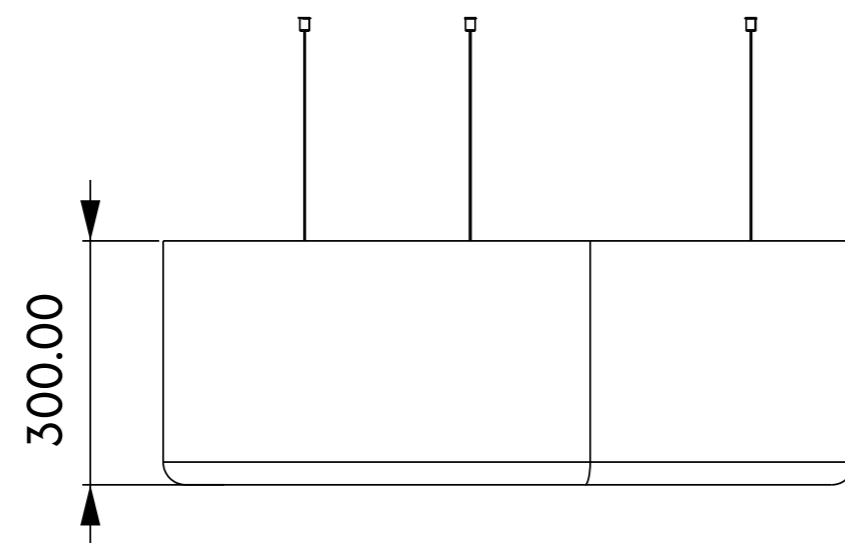
Op. 1: Ø572



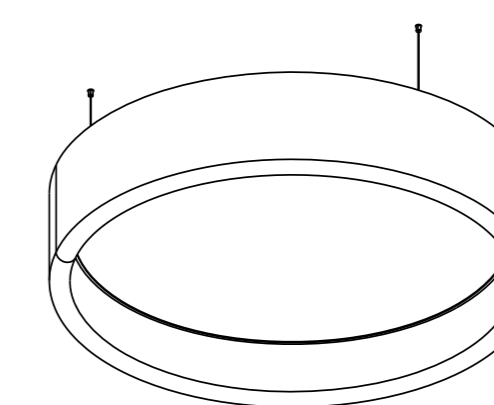
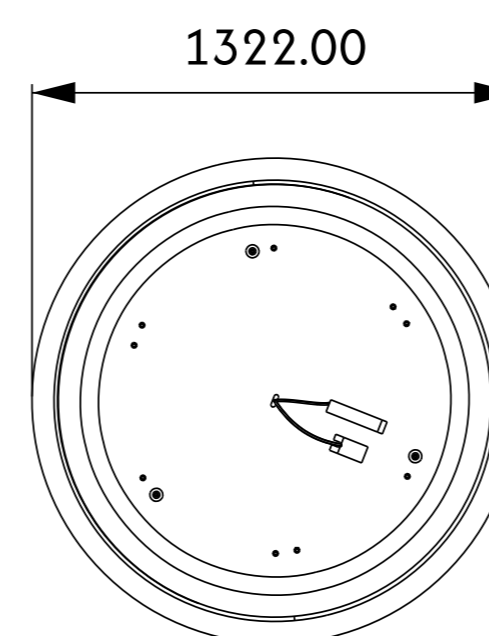
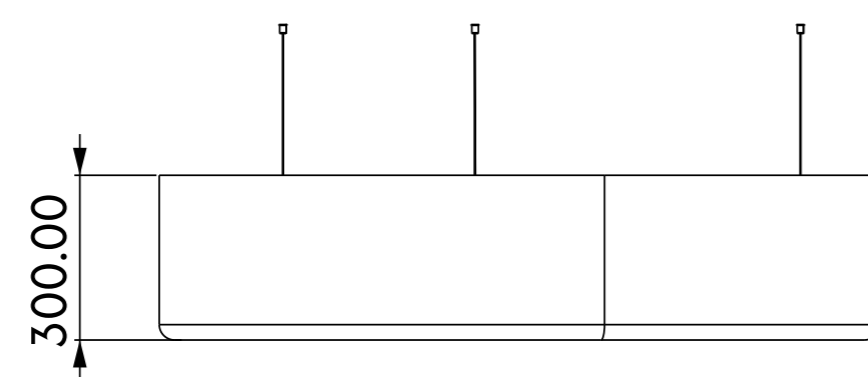
Op. 2: Ø722



Op. 3: Ø872

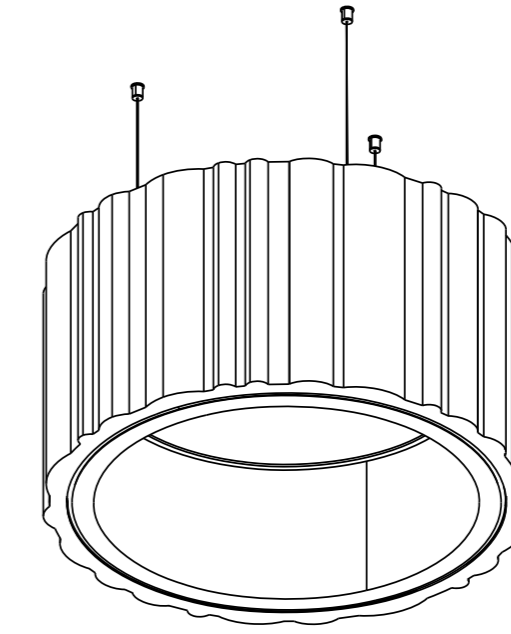
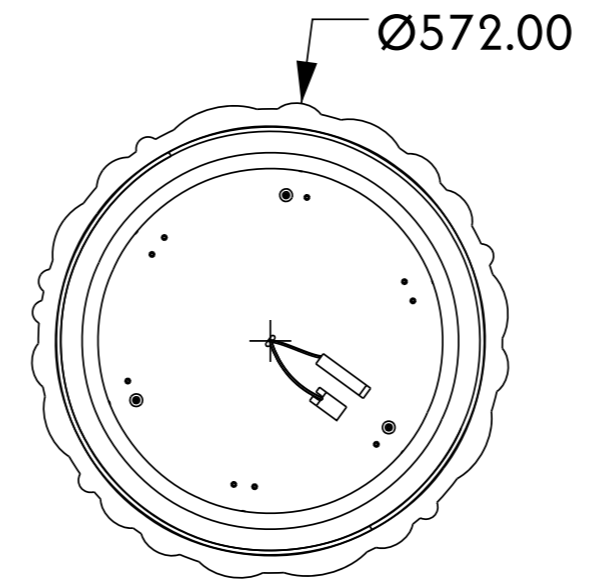
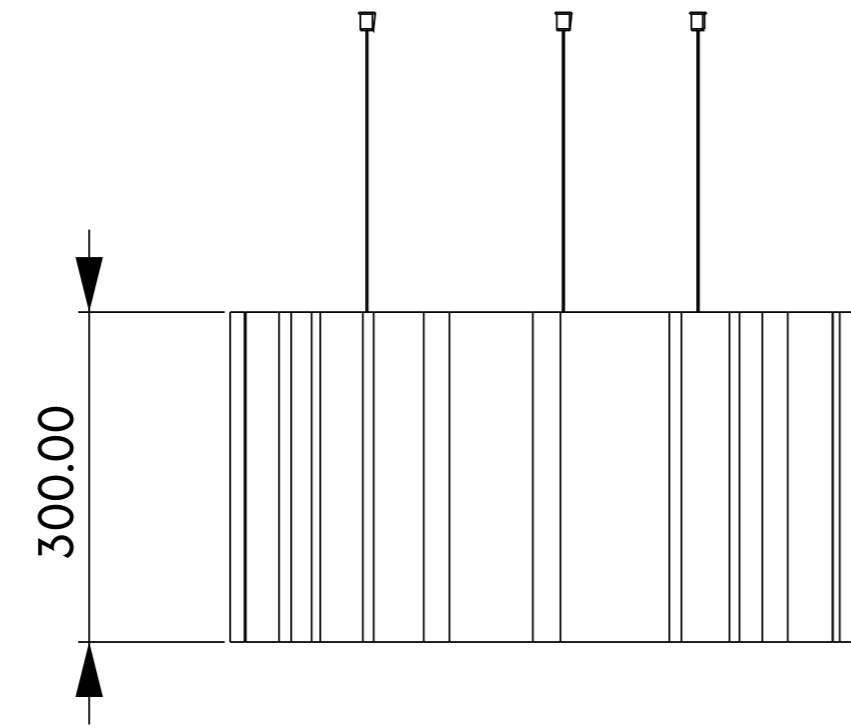


Op. 4: Ø1322

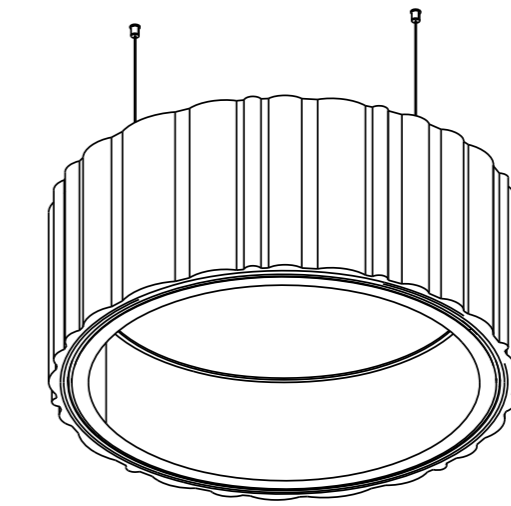
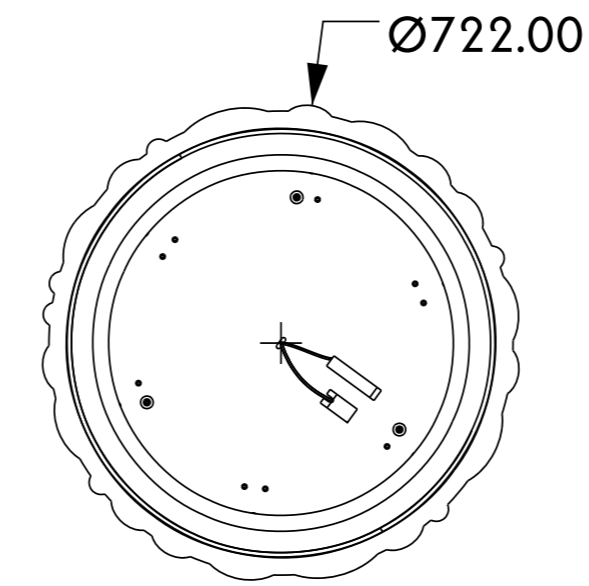
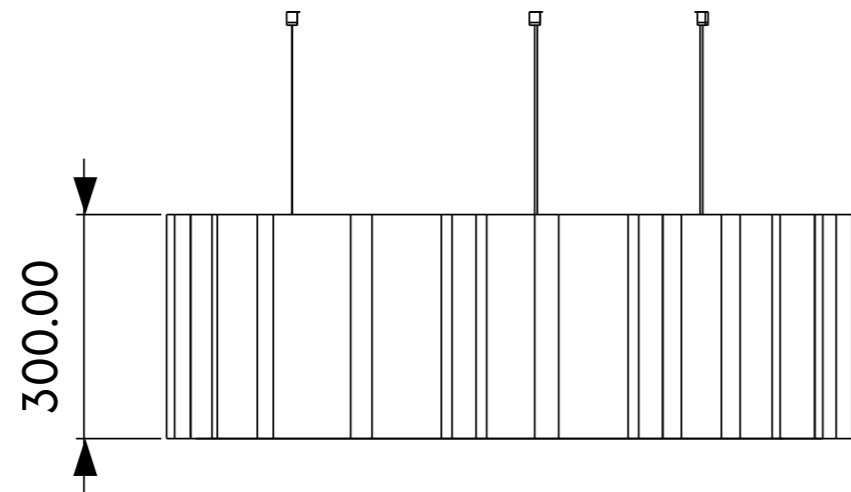


Shell - Uneven & Ribbed

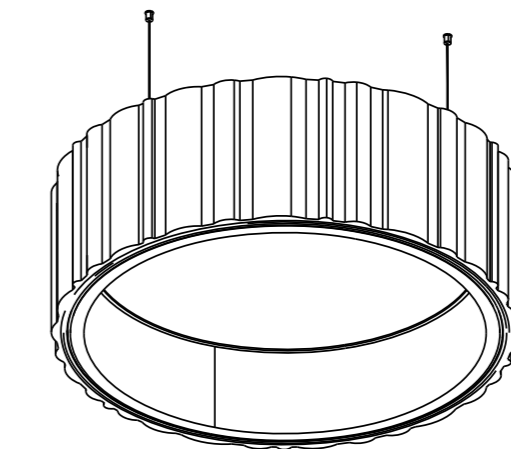
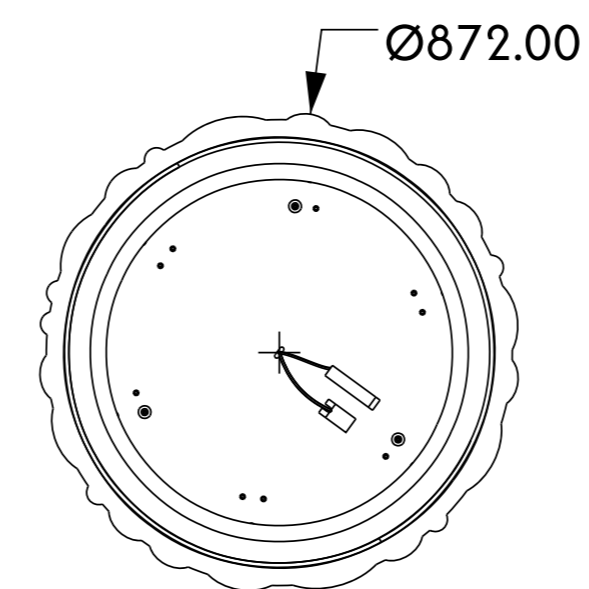
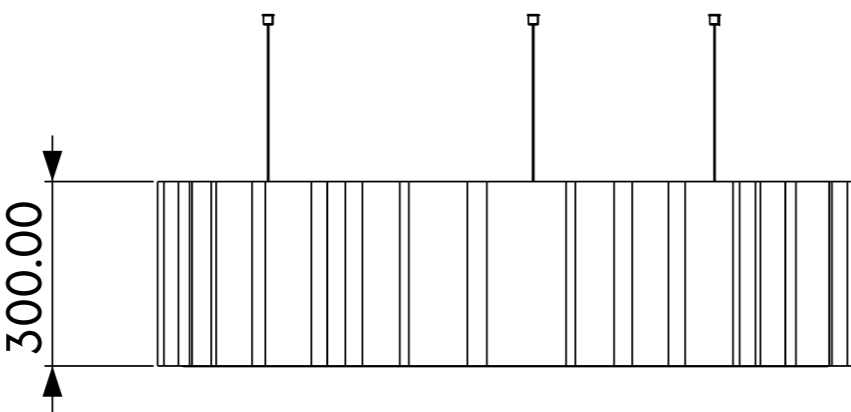
Op. 1: Ø572



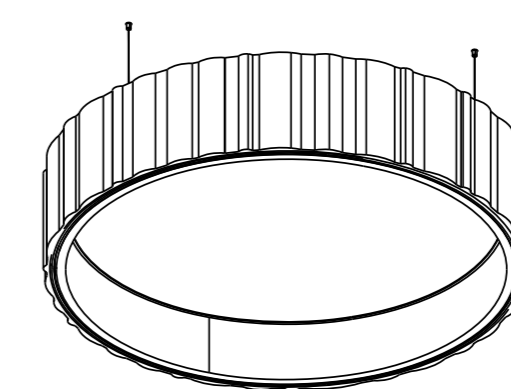
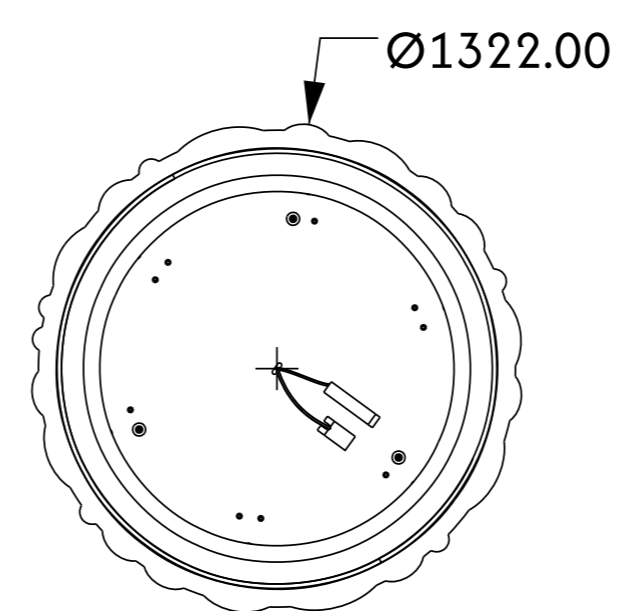
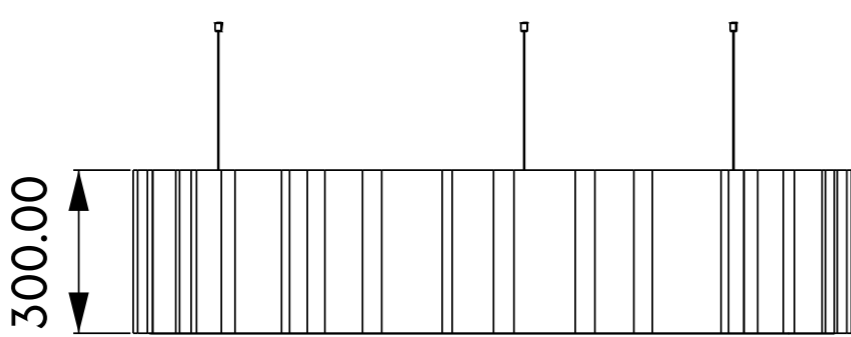
Op. 2: Ø722



Op. 3: Ø872



Op. 4: Ø1322



## Light Technicals

Construction	:	Aluminum
Diffuser	:	PMMA
UGR	:	<19
Life Span	:	50000 hours
Color Consistency	:	3 SDCM
Drivers	:	Constant current
Driver type	:	ON/OFF, Dimmable version available on request
Operating Voltage	:	220-240 V
CRI	:	80/90
CCT	:	3000K, 4000K, 6000K
Performance (LED)	:	Based On 4000K
• (S)	:	∅450 mm : 30W / 3600 lm
• (M)	:	∅600 mm : 36W / 4320 lm
• (L)	:	∅750 mm : 54W / 6480 lm
• (XL)	:	∅1200 mm : 108W / 12960 lm

## Performance

### Fire Resistance:

#### 1. Plywood

IS 5509:2000 (With Amendments) | Time for second ignition: > 30 minutes | Conforms to Indian Fire-resistance standard for interior plywood

#### 2. Acoustic Foam (Polyurethane)

CA TB 117-2013 Section III | Flammability of Resilient fire material – Pass | Flame retardant in Upholstered Furniture – Pass

BS 5852 (Part 2):1982 | Flammability Test – Pass

#### 3. Fabrics

##### • Category A+

BS 5852 Part 1: 1979 Ignition Source 0 & 1 |

Details: Cigarette Test & Match Test |

Result: PASS on both tests | Test Number: 423681

##### • Category A

BS 5852 Part 1: 1979 Ignition Source 0 & 1 |

Details: Cigarette Test & Match Test |

Result: PASS on both tests | Test Number: 187662

##### • Category B

AS/NZS 1530.3:1999 | Details: Simultaneous test for Ignitability, Flame Propagation, Heat Release & Smoke Release | Result: Passed | Test Number: 19-001329

## Sustainability

### Certifications & Compliance:

- LEED v4: Supports EQ Credit (Low-Emitting Materials)
- Certified Low VOC materials
- EPD & HPD certified
- Declare Label compliant
- USGBC LEED compliant



Declare.



Explore the upcoming colourways in the sections ahead. →

## Fabrics

### CAT A+ : COLORWAYS

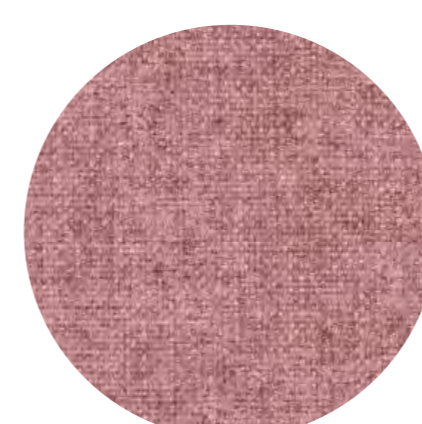
#### SOHO



<b>Composition</b>	100% Polyester
<b>Weight (per surface)</b>	420 gsm
<b>Width</b>	145 cm (min. usable 138 cm)
<b>Abrasion resistance</b>	100,000+ Wyzenbeek   90,000 Martindale
<b>Flammability</b>	CA TB 117 - 2013   BS 5852: Part 1(1979)
<b>Fastness to light</b>	5
<b>Fastness to rubbing</b>	Wet - 4   Dry - 4/5
<b>Pilling</b>	Piling on Martindale - 3/4   Brush pilling - 5
<b>Seam Slippage</b>	Warp - 2.5 mm   Weft - 3 mm

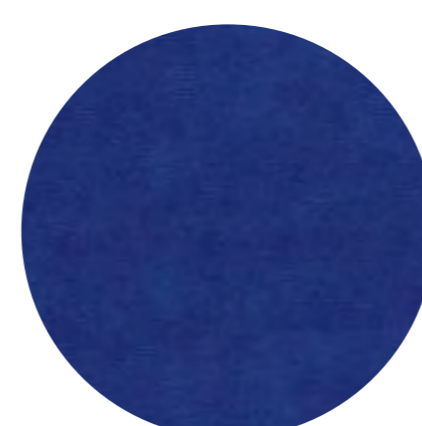
### CAT A : COLORWAYS

#### SHETLAND



<b>Composition</b>	100% Polyester
<b>Weight (per surface)</b>	280 gsm
<b>Width</b>	145 cm (min. usable 138 cm)
<b>Abrasion resistance</b>	>100,000 Wyzenbeek   >45,000 Martindale
<b>Flammability</b>	BS 5852: Part 1 (1979)   CA TB 117-2013
<b>Fastness to light</b>	5
<b>Fastness to rubbing</b>	Wet - 4   Dry - 4/5
<b>Pilling</b>	Martindale Pilling - 4   Brush Pilling - 5
<b>Seam Slippage</b>	Warp - 1.67 mm   Weft - 2 mm

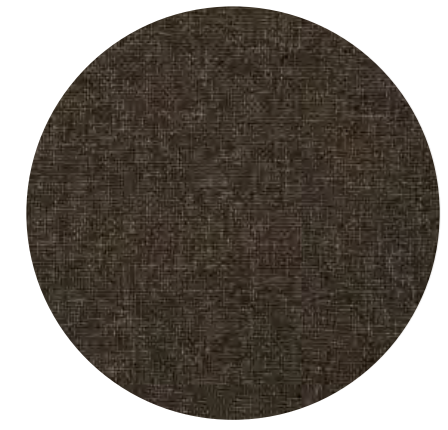
#### TWEED



<b>Composition</b>	100% Polyester
<b>Weight (per surface)</b>	240 gsm
<b>Width</b>	142 cm (min. usable 138 cm)
<b>Abrasion resistance</b>	54,000 Wyzenbeek   100,000 Martindale
<b>Flammability</b>	CA TB 117 - 2013 BS 5852 Source 0,1 (cigarette & match) EN 1021 Part1,2 (cigarette & match)
<b>Fastness to light</b>	5
<b>Fastness to rubbing</b>	Wet - 4   Dry - 4/5
<b>Pilling</b>	3/4
<b>Seam Slippage</b>	Warp - 2 mm   Weft - 2 mm

## CAT B : COLORWAYS

### ELTON



<b>Composition</b>	100% Polyester
<b>Weight (per surface)</b>	275 gsm
<b>Width</b>	140 cm
<b>Abrasion resistance</b>	70,000 Wyzenbeek
<b>Flammability</b>	AS/NZS 1530.3 - 1999
<b>Fastness to light</b>	5
<b>Fastness to rubbing</b>	Wet - 4/5   Dry - 4/5
<b>Pilling</b>	5
<b>Seam Slippage</b>	Warp - 3.3 mm   Weft - 3 mm
<b>Attributes</b>	Halo Easy Care, Oekotex Standard 100

