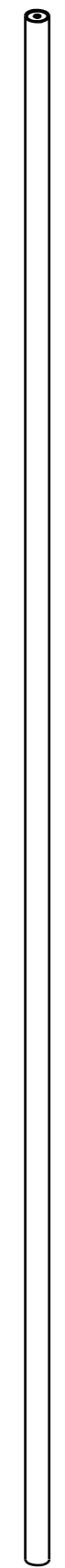




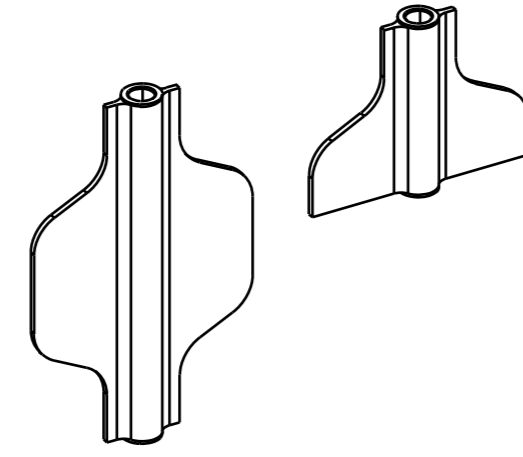
Installation Steps

Floor Mounted

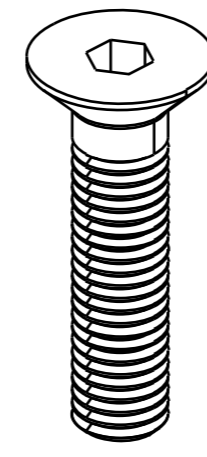
Part Overview



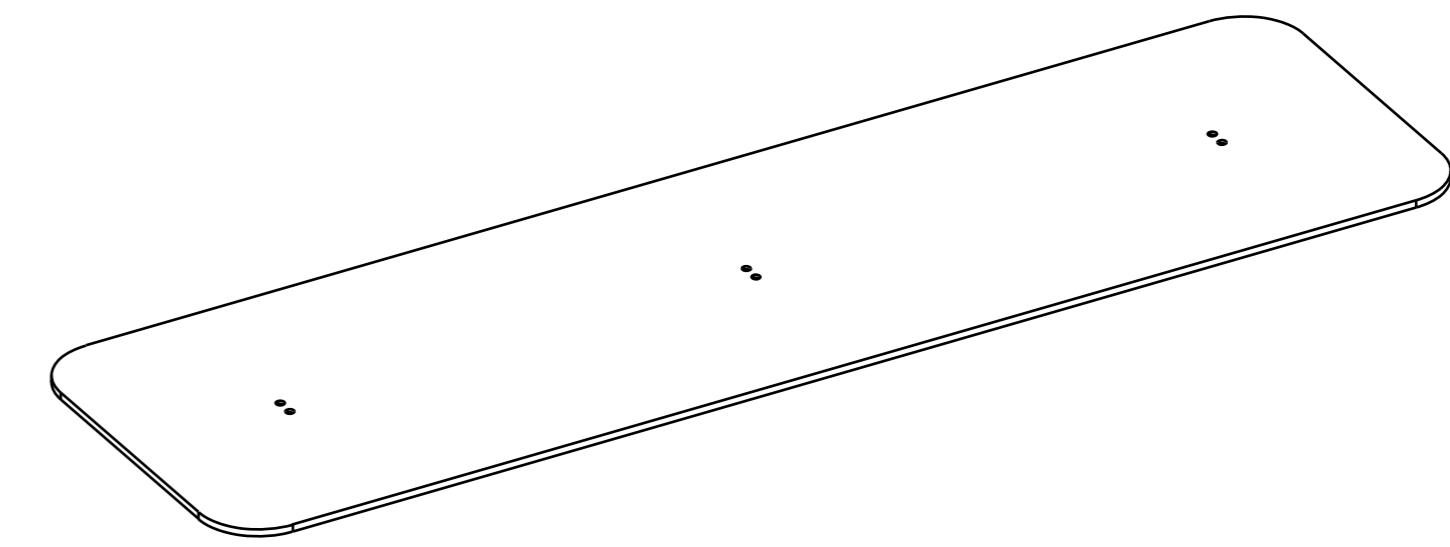
Rods



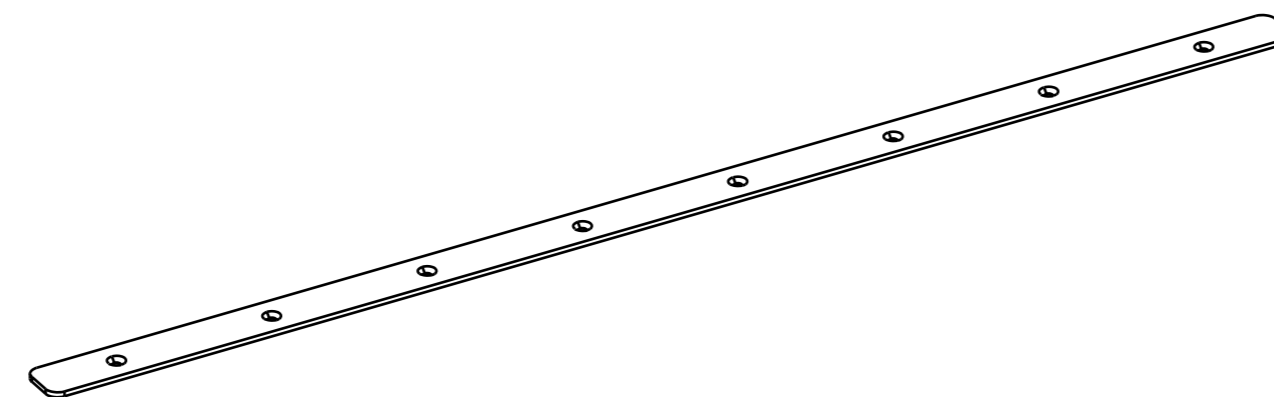
Flap With Cap



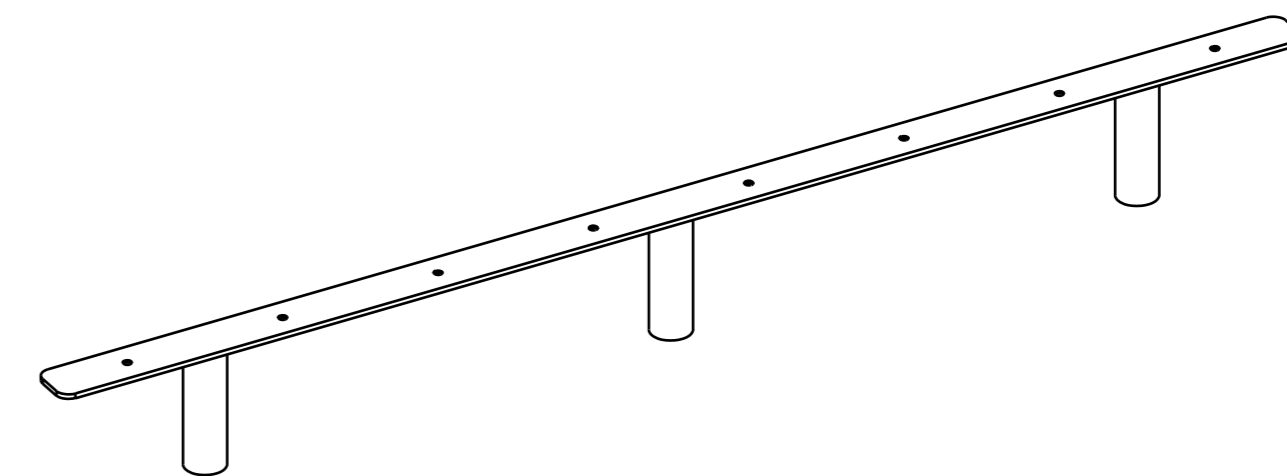
Flat Head Screw



Base Plate



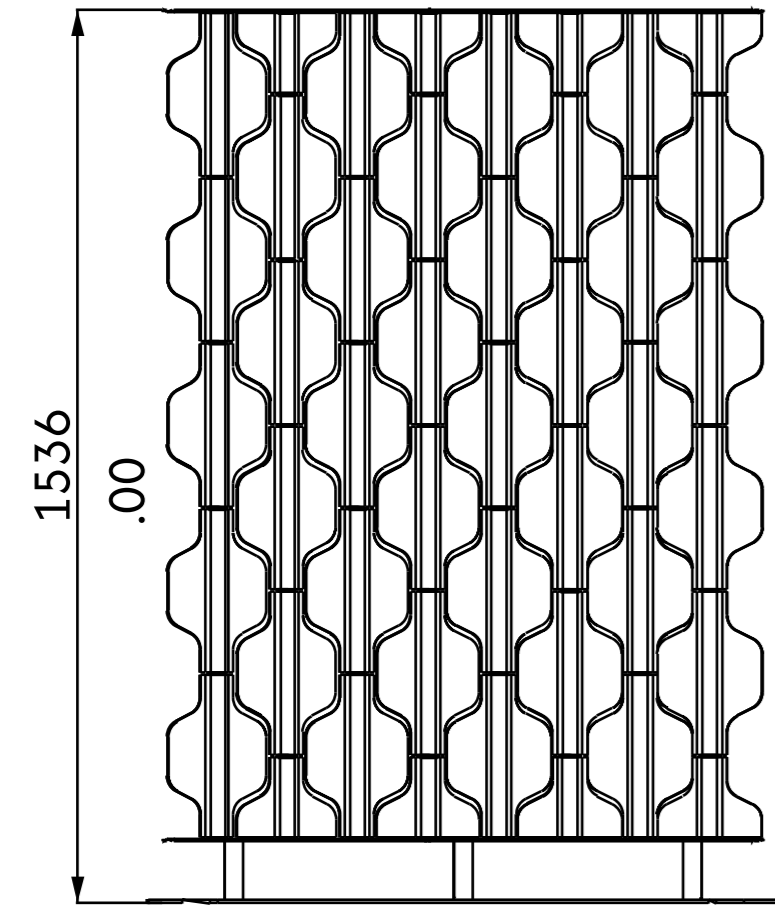
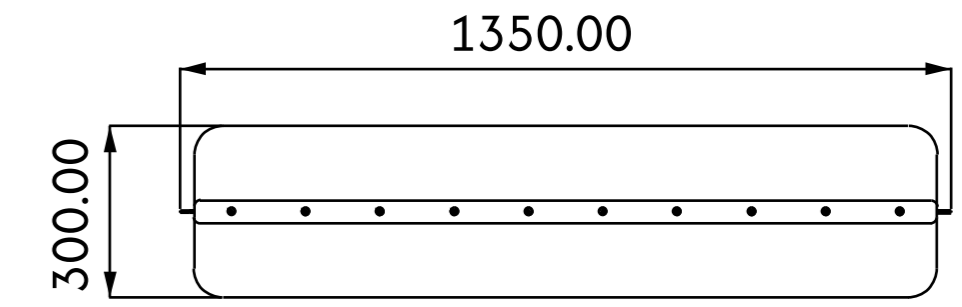
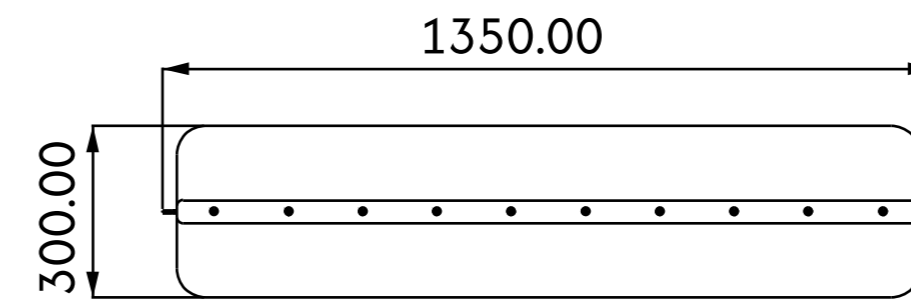
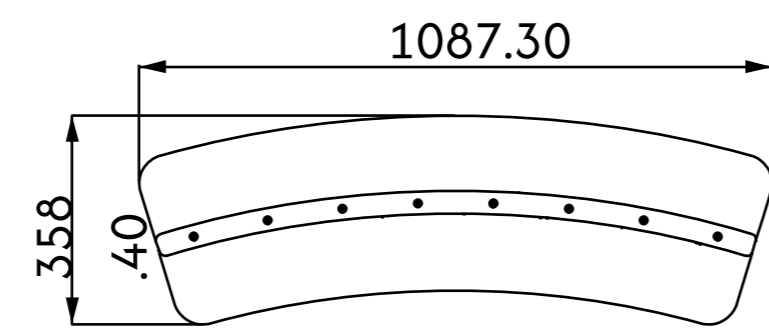
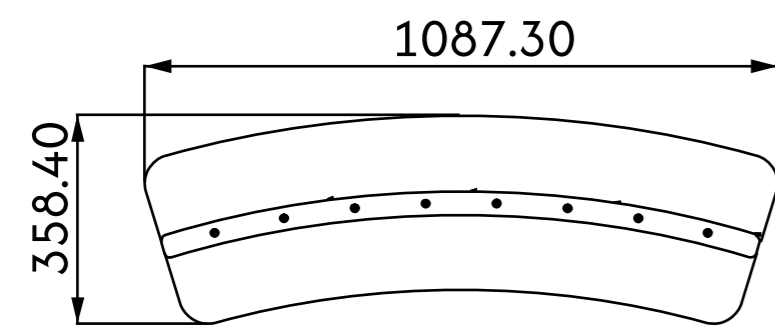
Top Plate



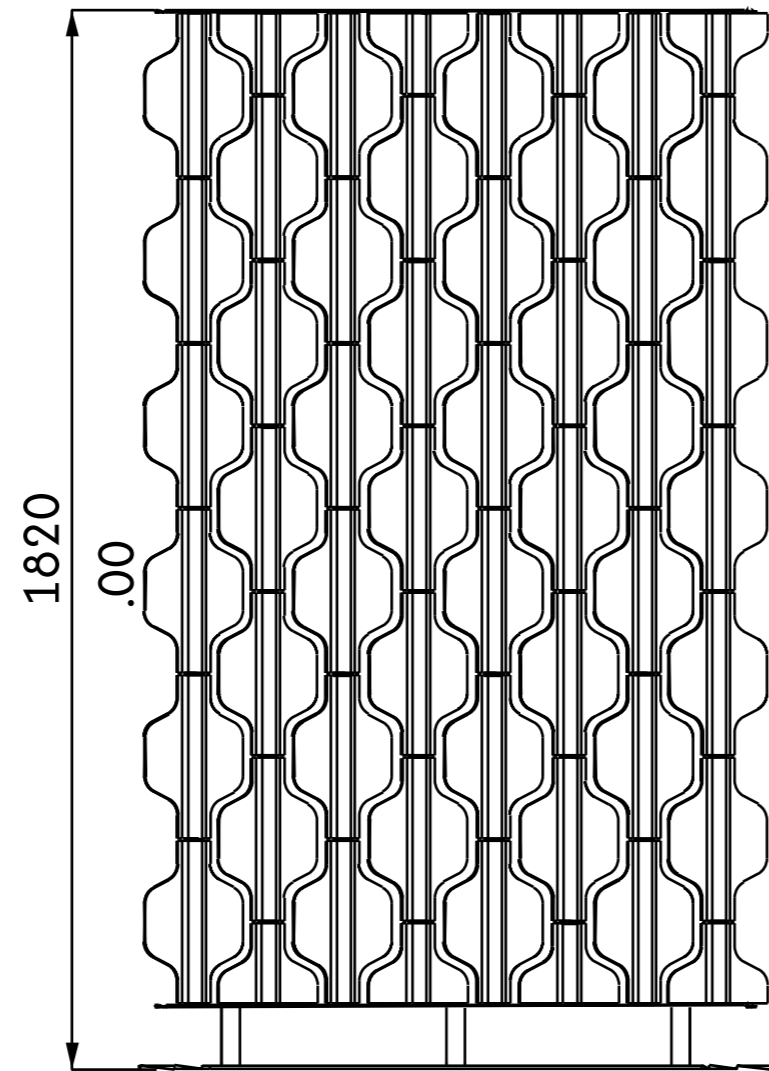
Capsule Plate

Note: The Number of Flaps,Rods and screw may very depending on the variant you have selected

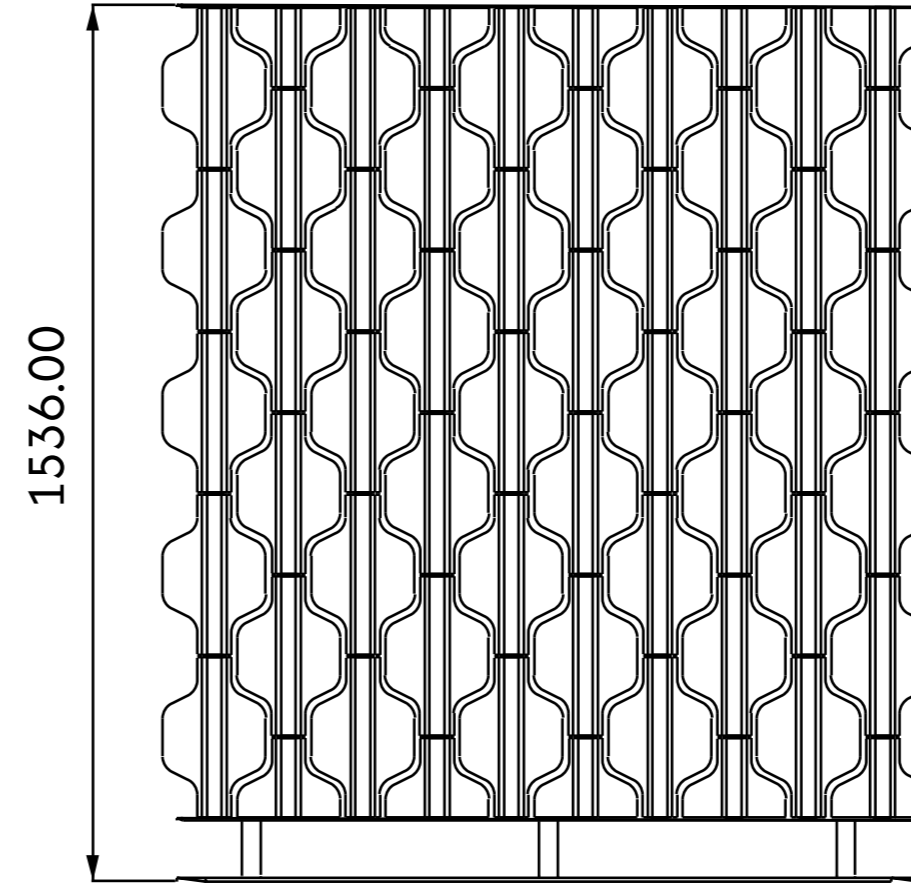
Pick point Layout



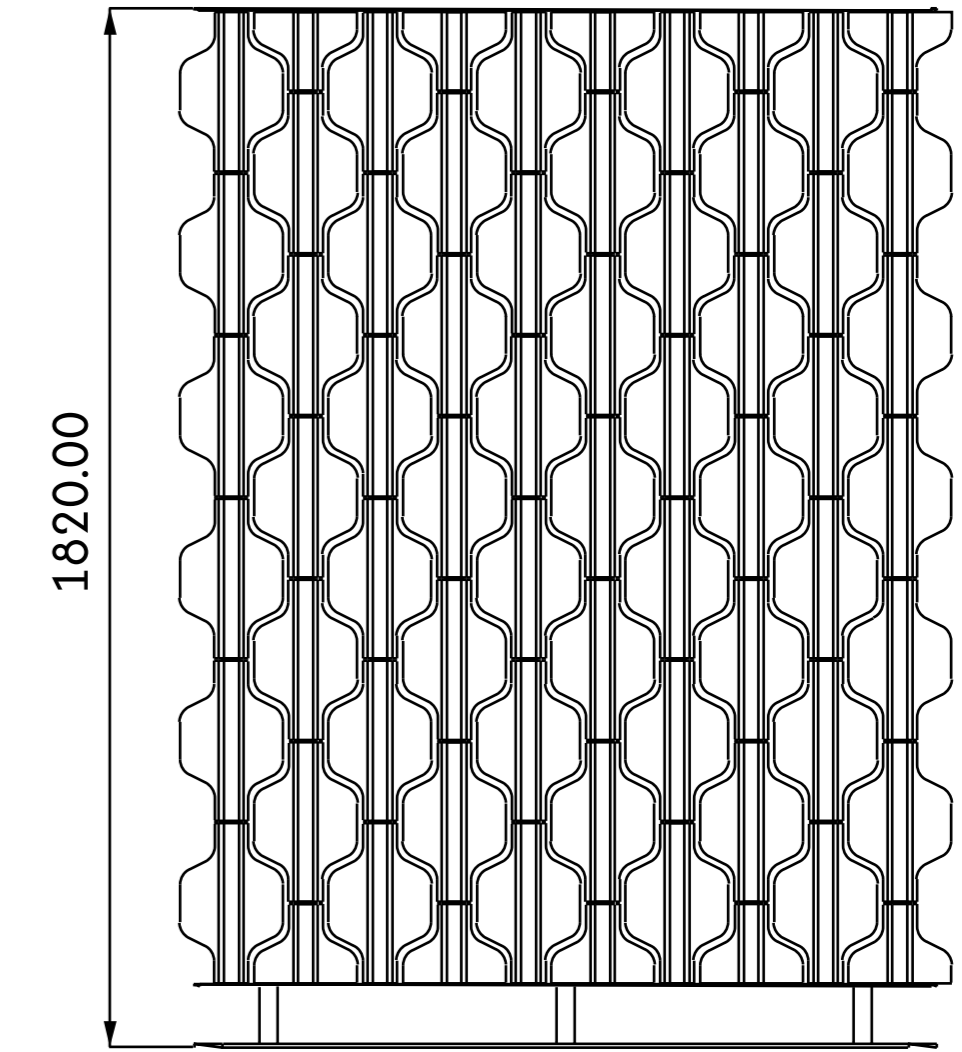
C35



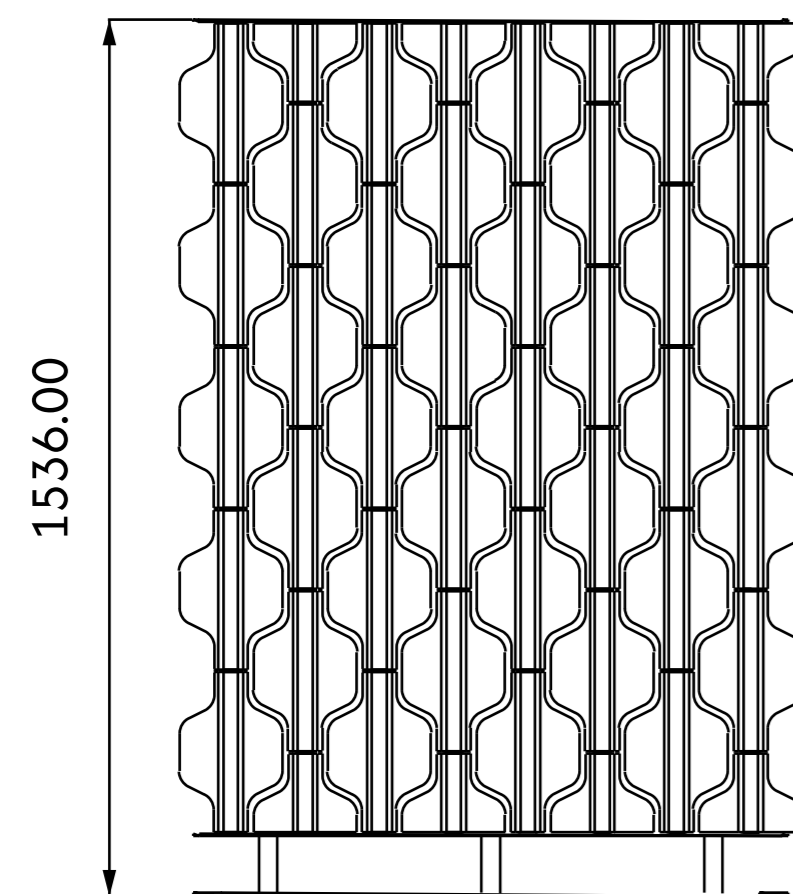
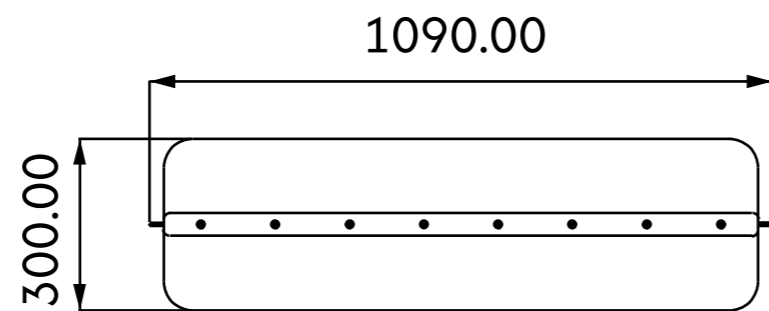
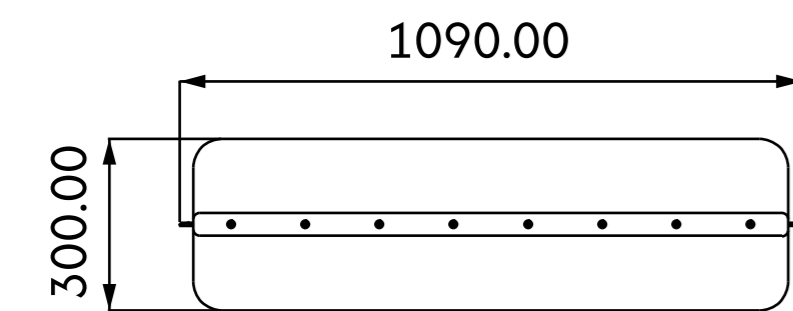
C36



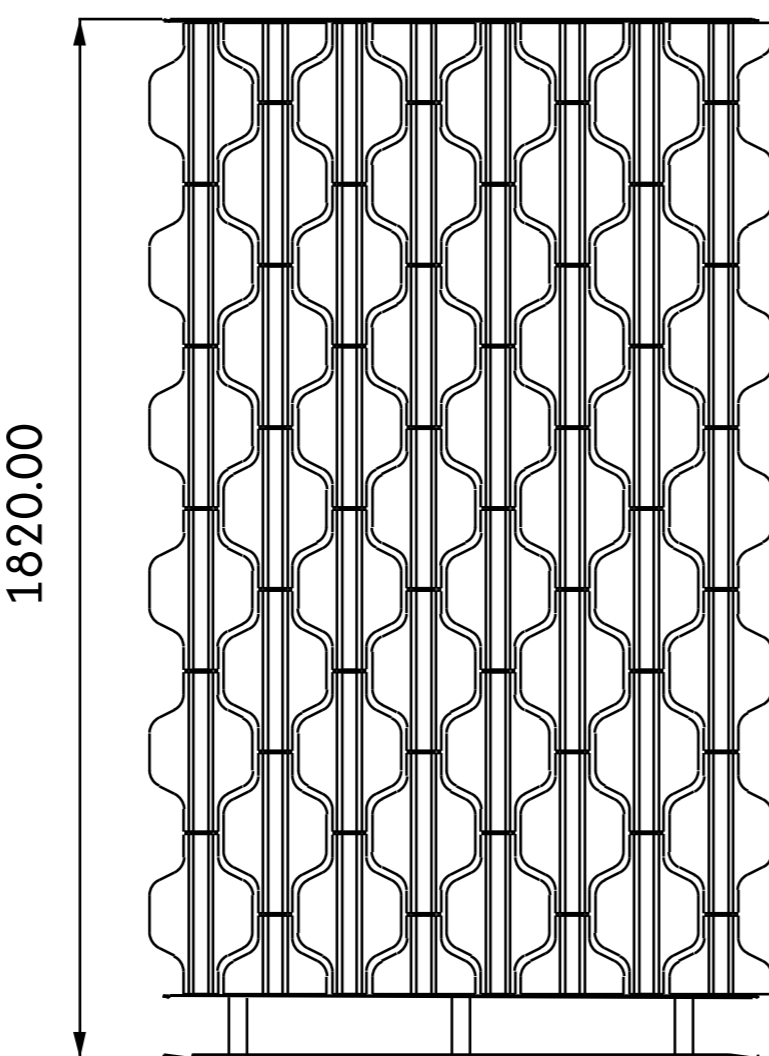
S45



S46



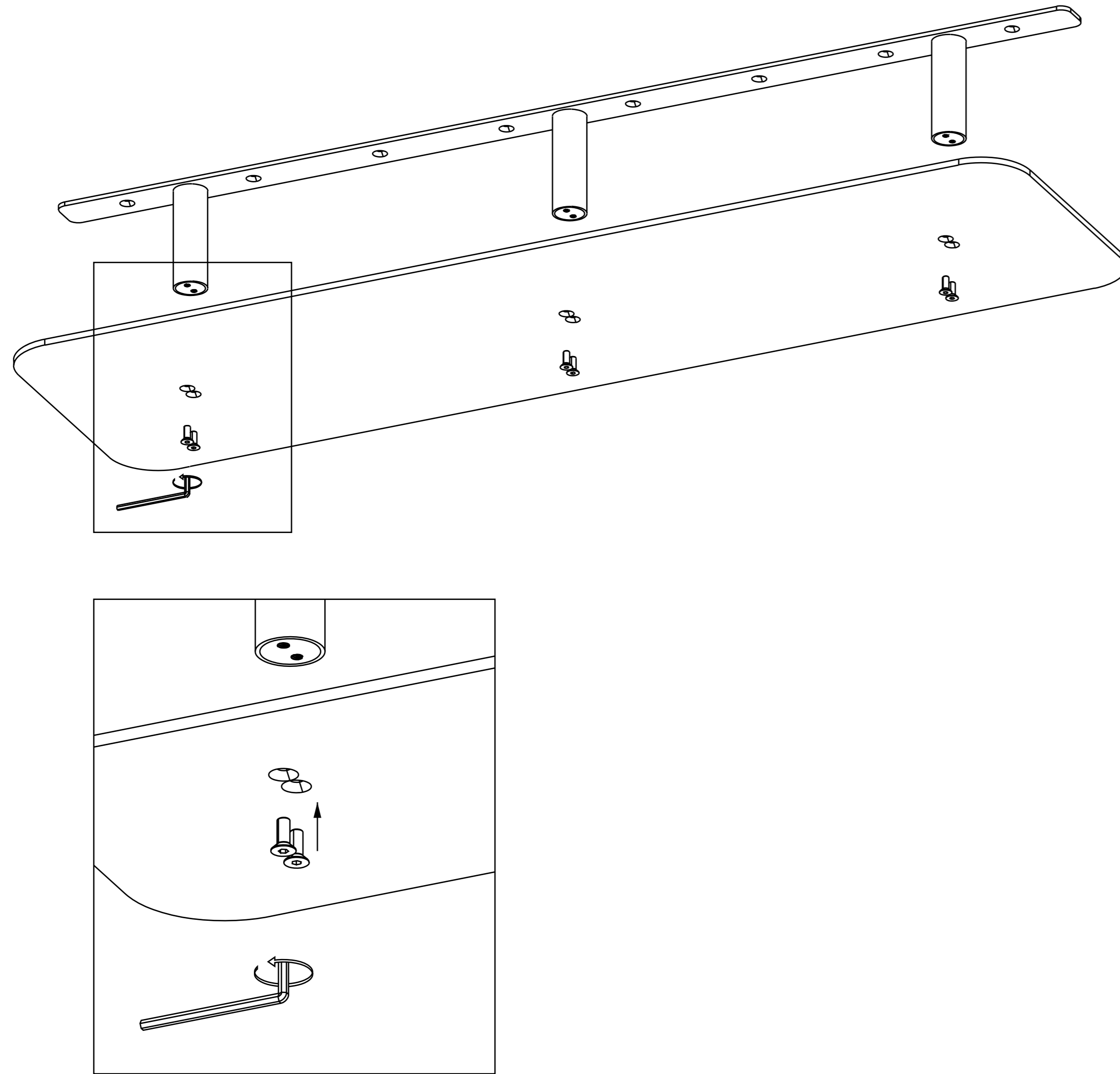
S35



S36

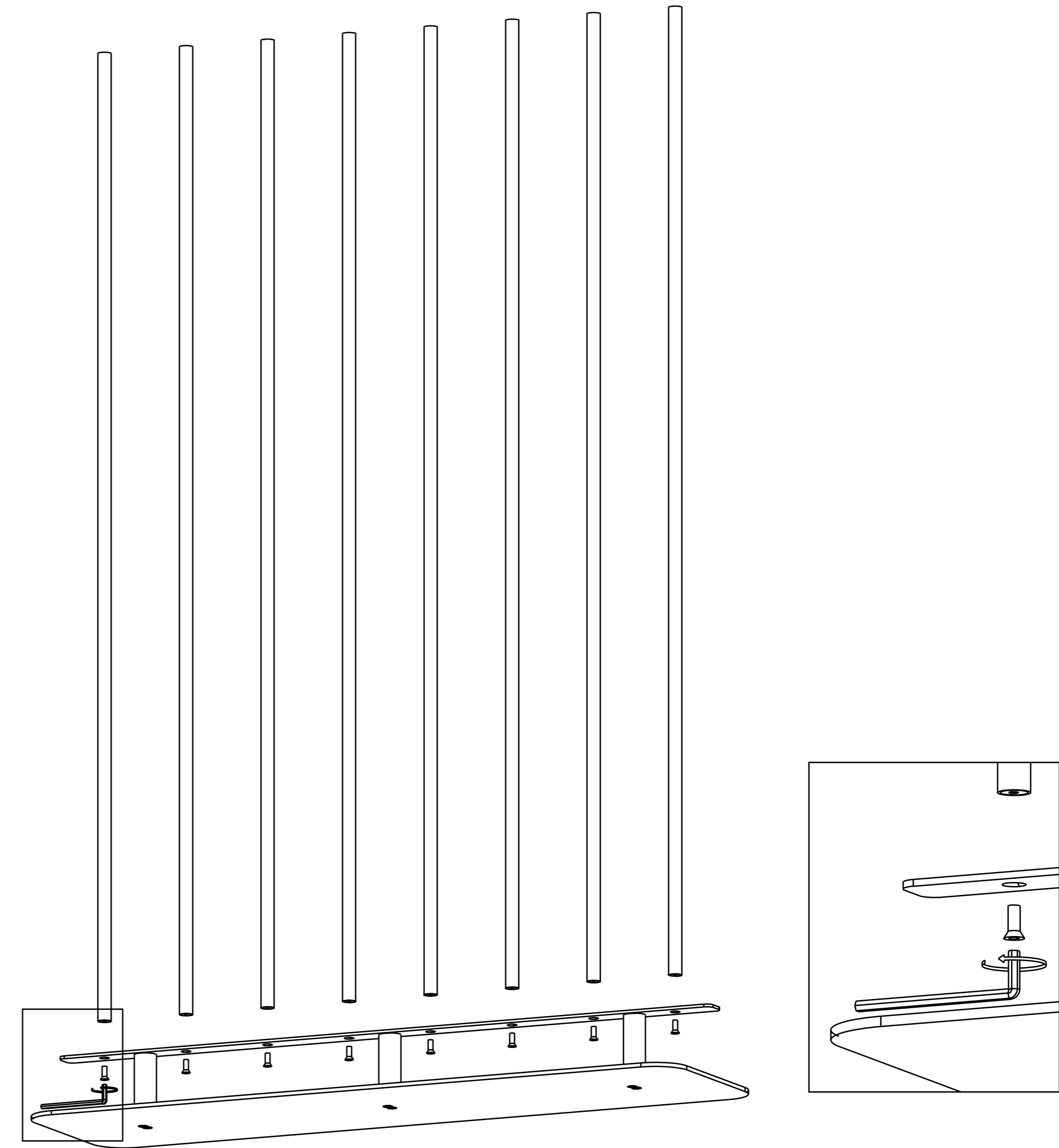
Step A:

Attach the buffer part to the capsule plate and tighten the fastener clockwise.



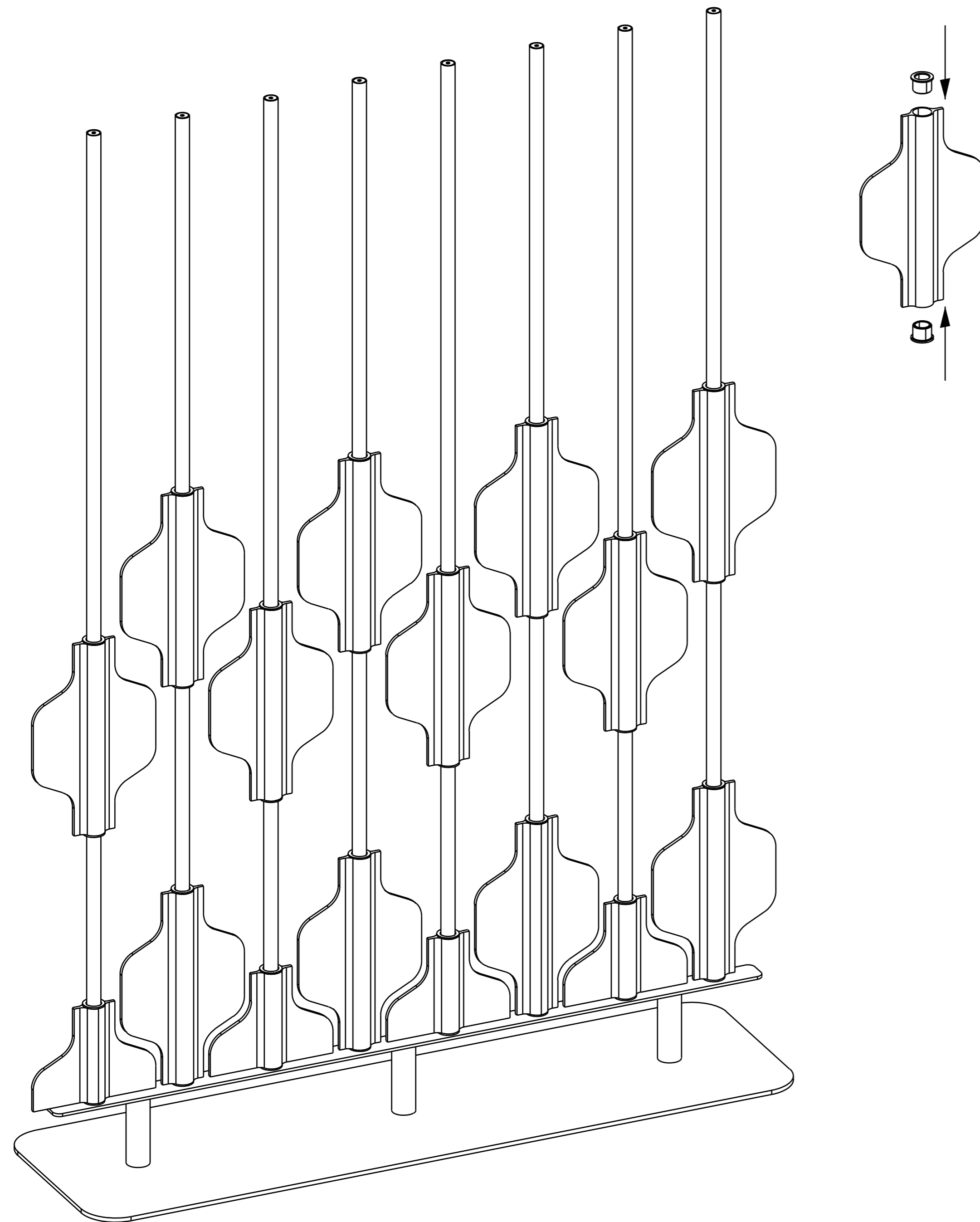
Step B:

Lay out all components on a flat surface. Gently insert the rod structure into the plate.



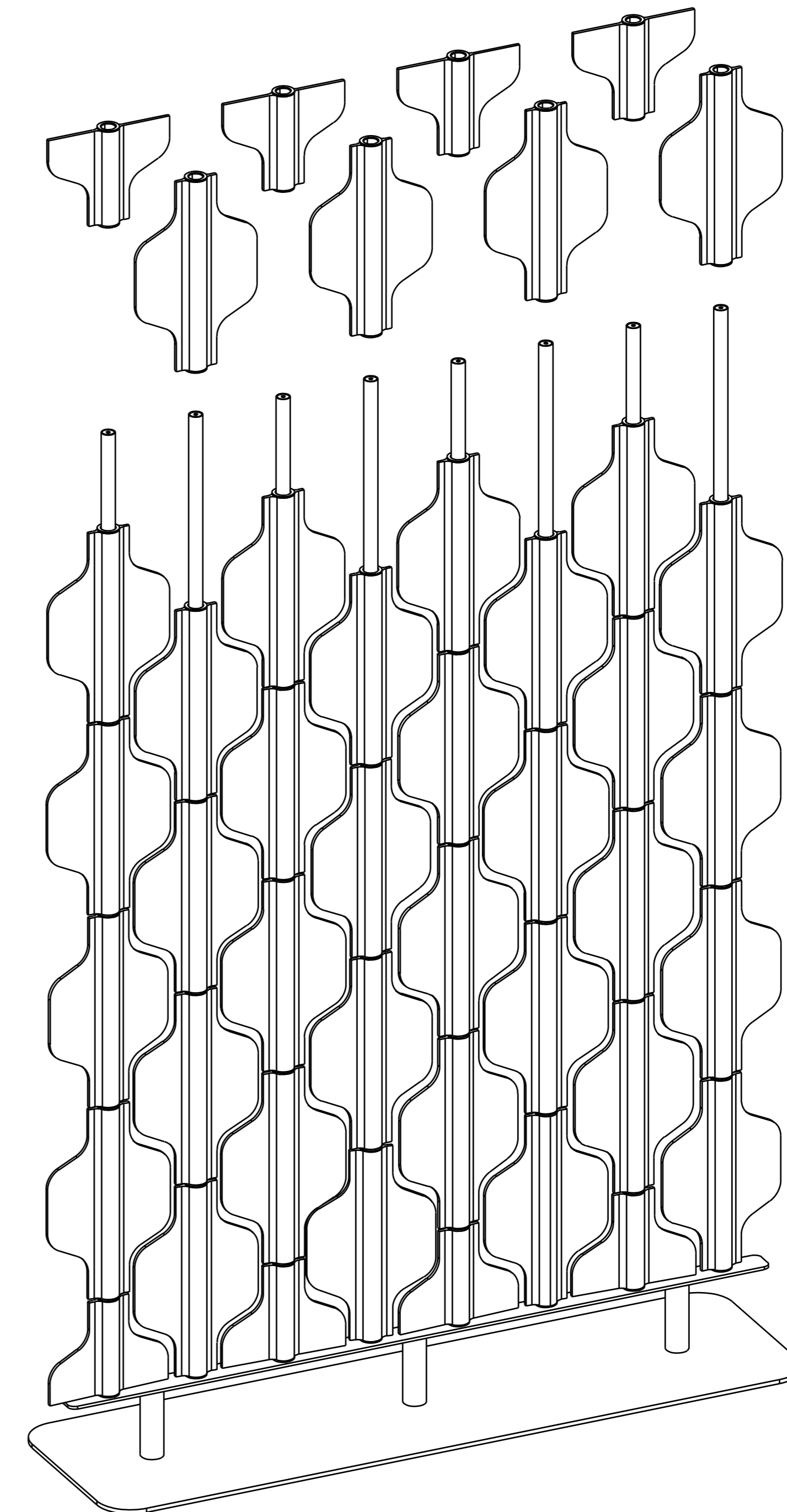
Step C:

Arrange flaps in sequence with cap inserts at top and bottom to ensure proper rotation.



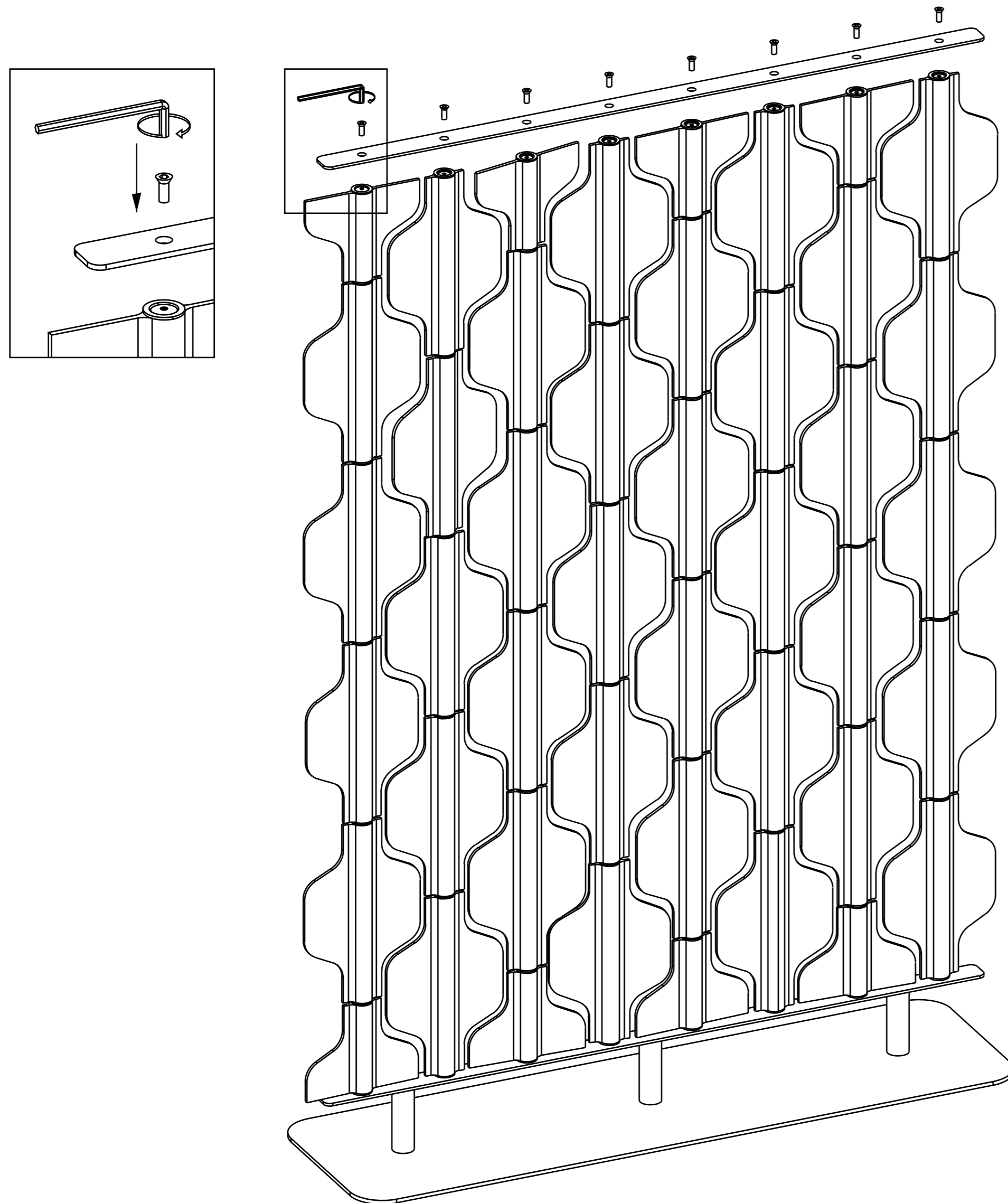
Step D:

Assemble piece by piece as per the soft drawing.



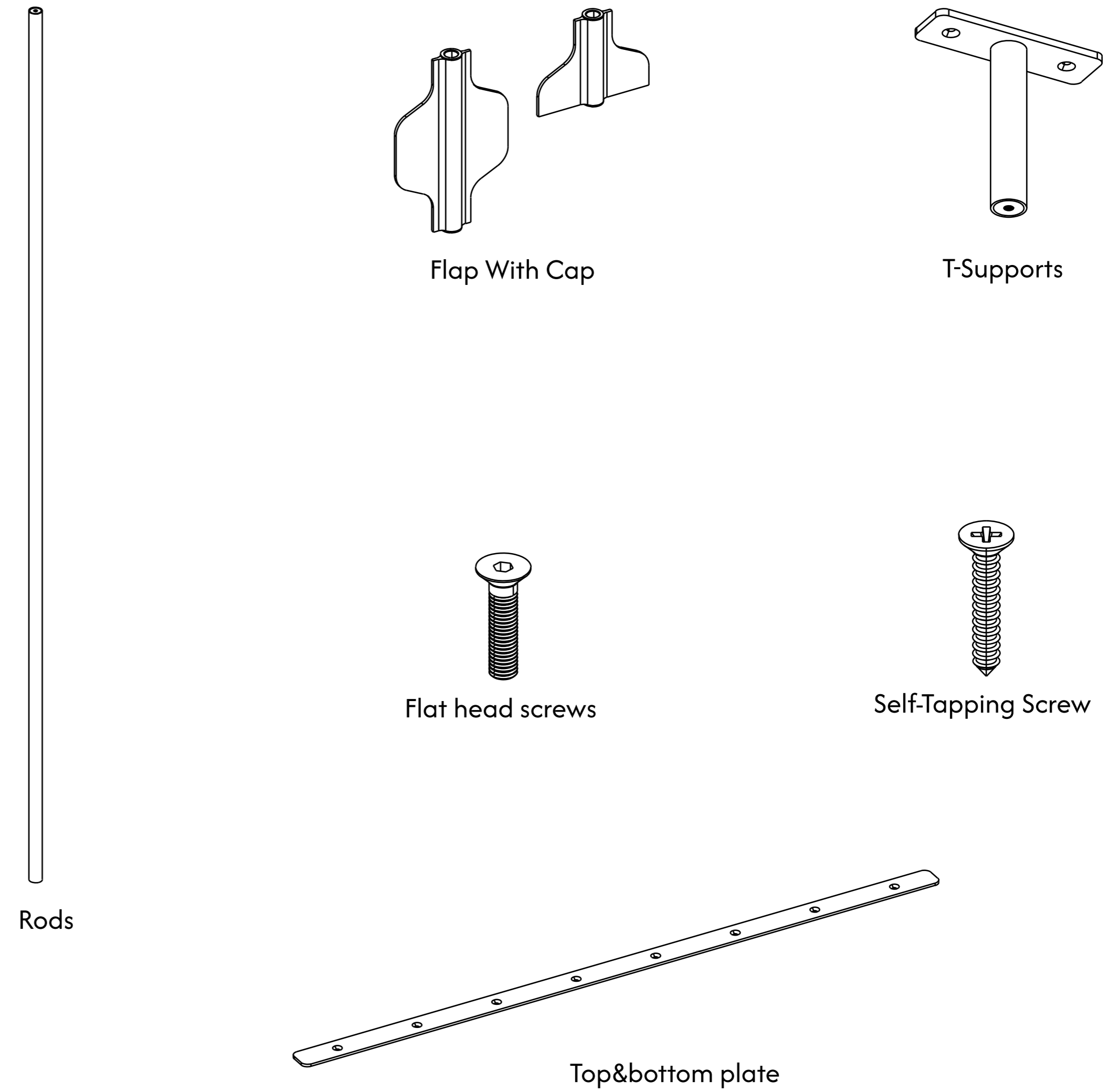
Step E:

Plug the top plate at the top of the structure. and Tighten the fastener clockwise using the Allen key.



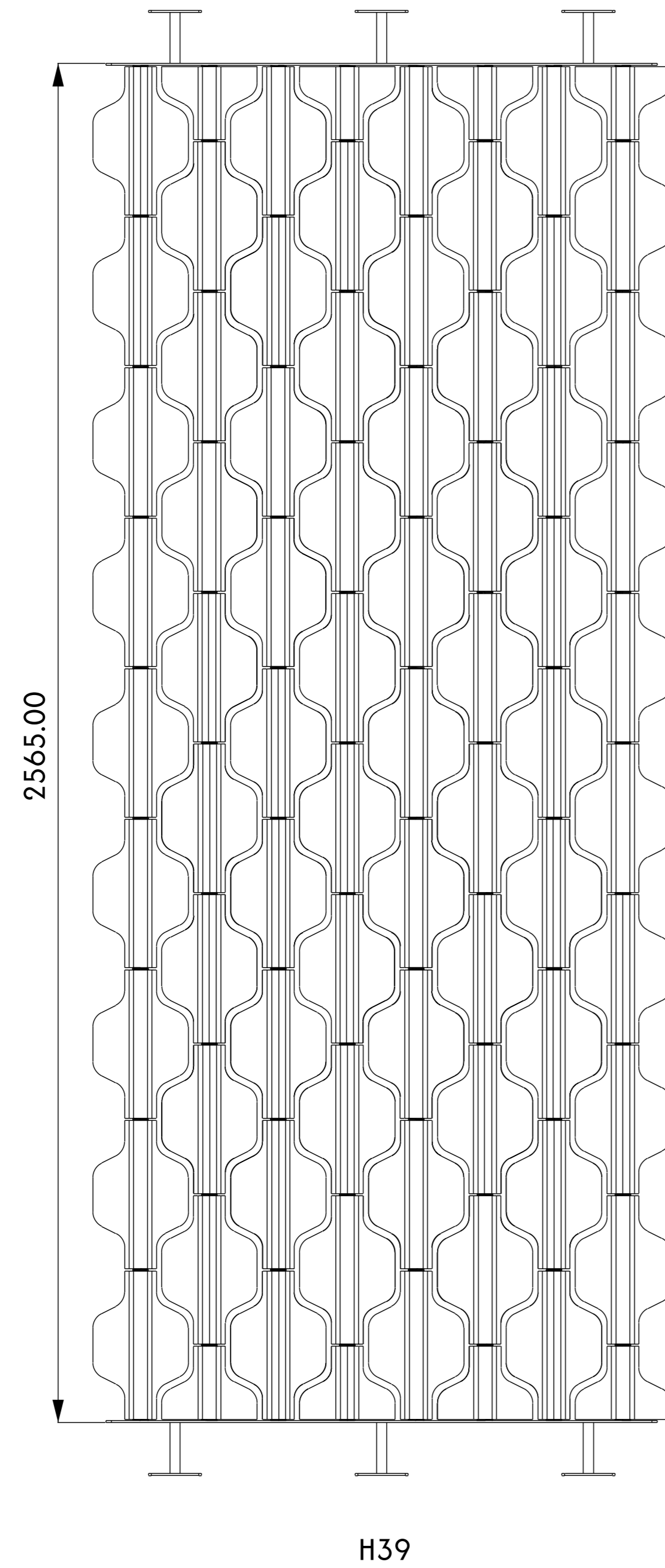
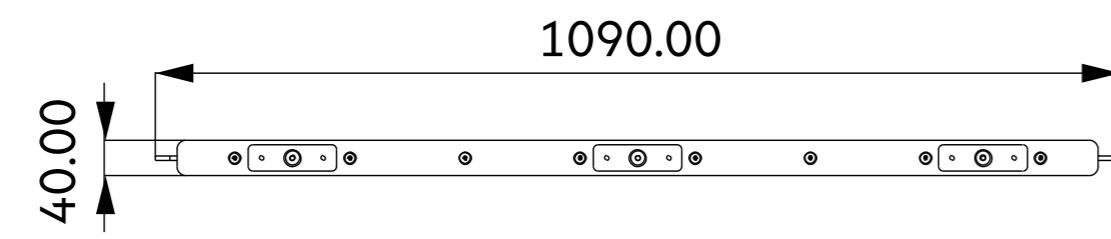
Ceiling Mounted

Part Overview



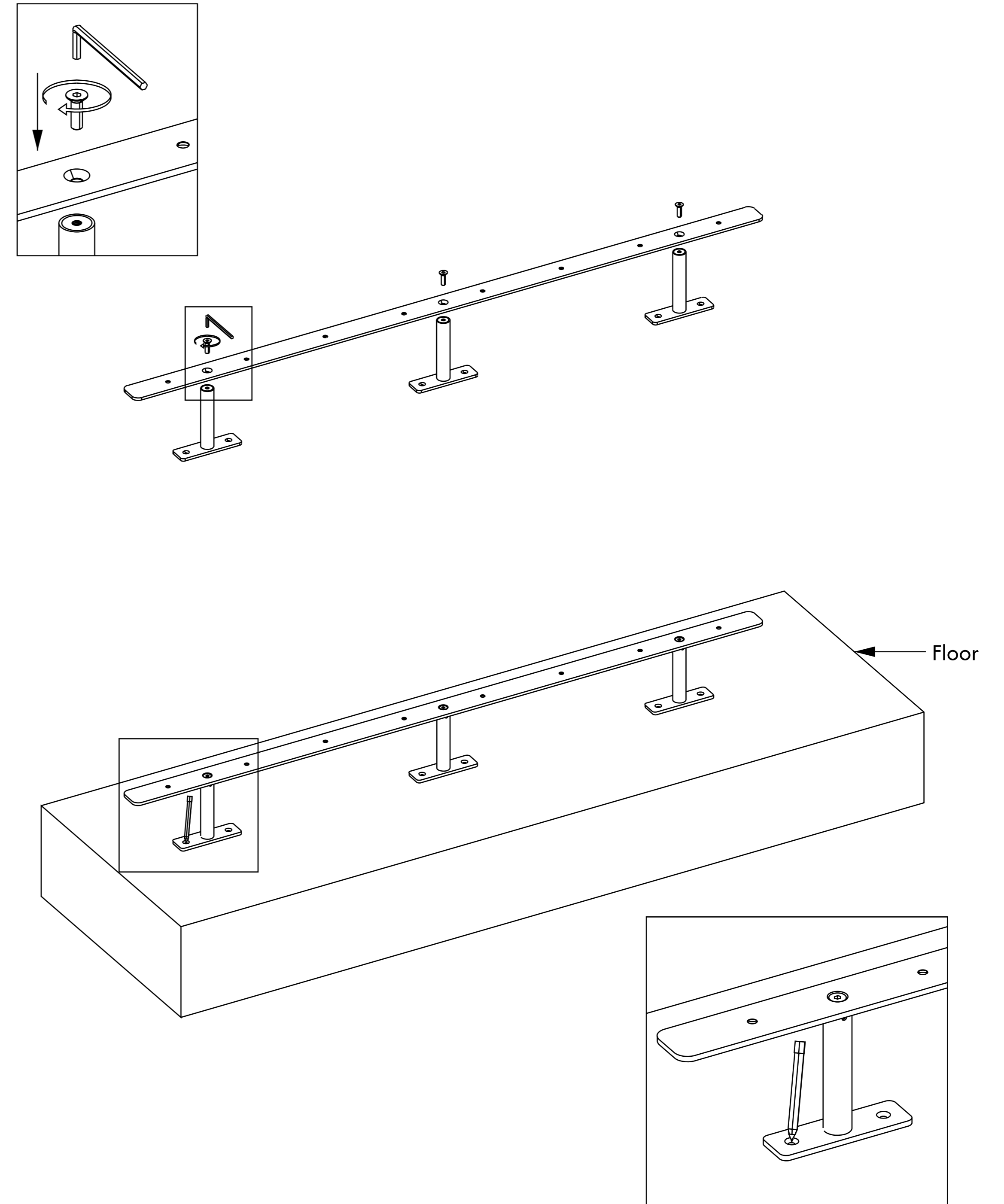
Note: The Number of Flaps, Rods, and screw may vary depending on the variant you have selected

Pick point Layout



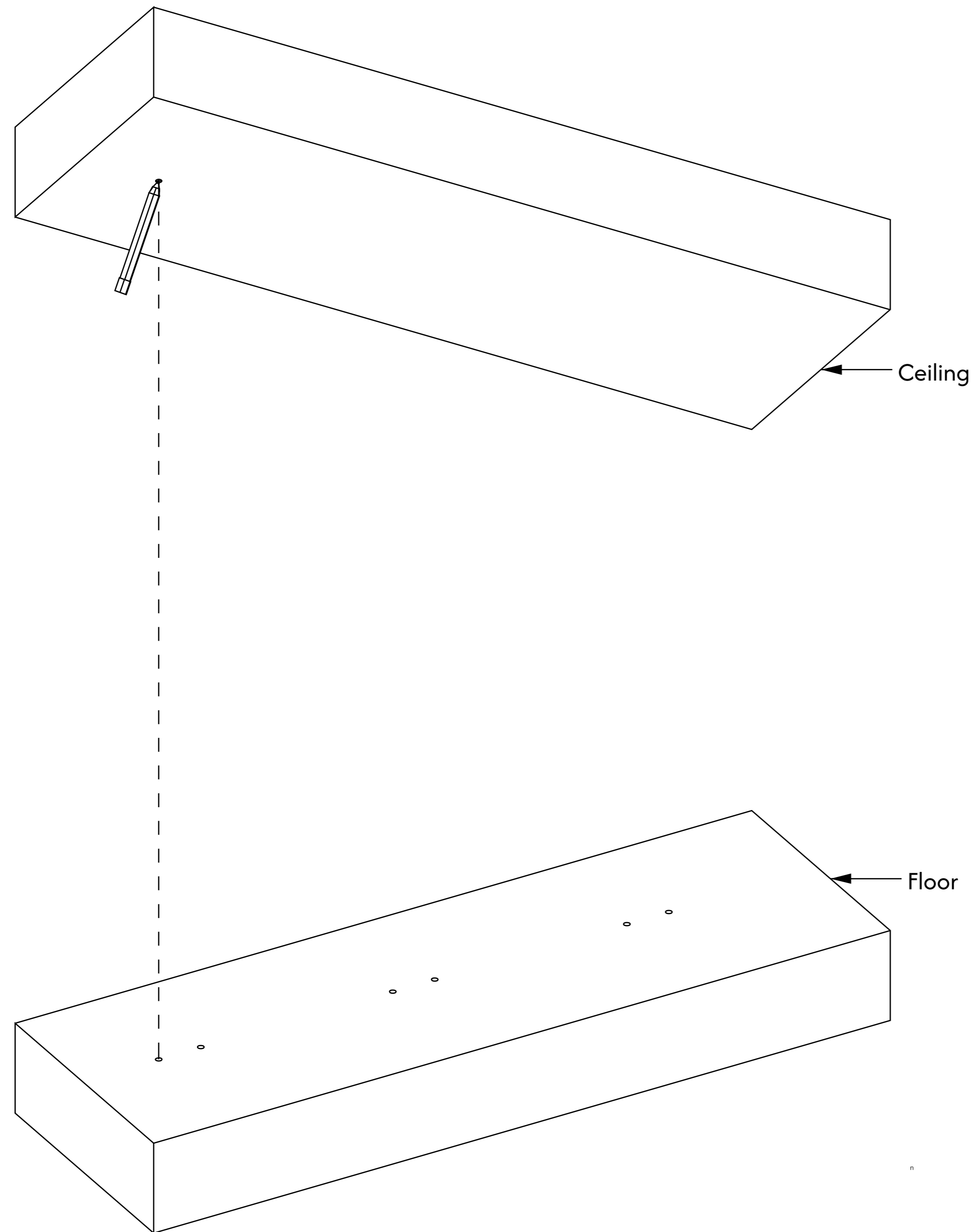
Step A:

Attach the mounting brackets and support rails to the floor to securely support the unit.



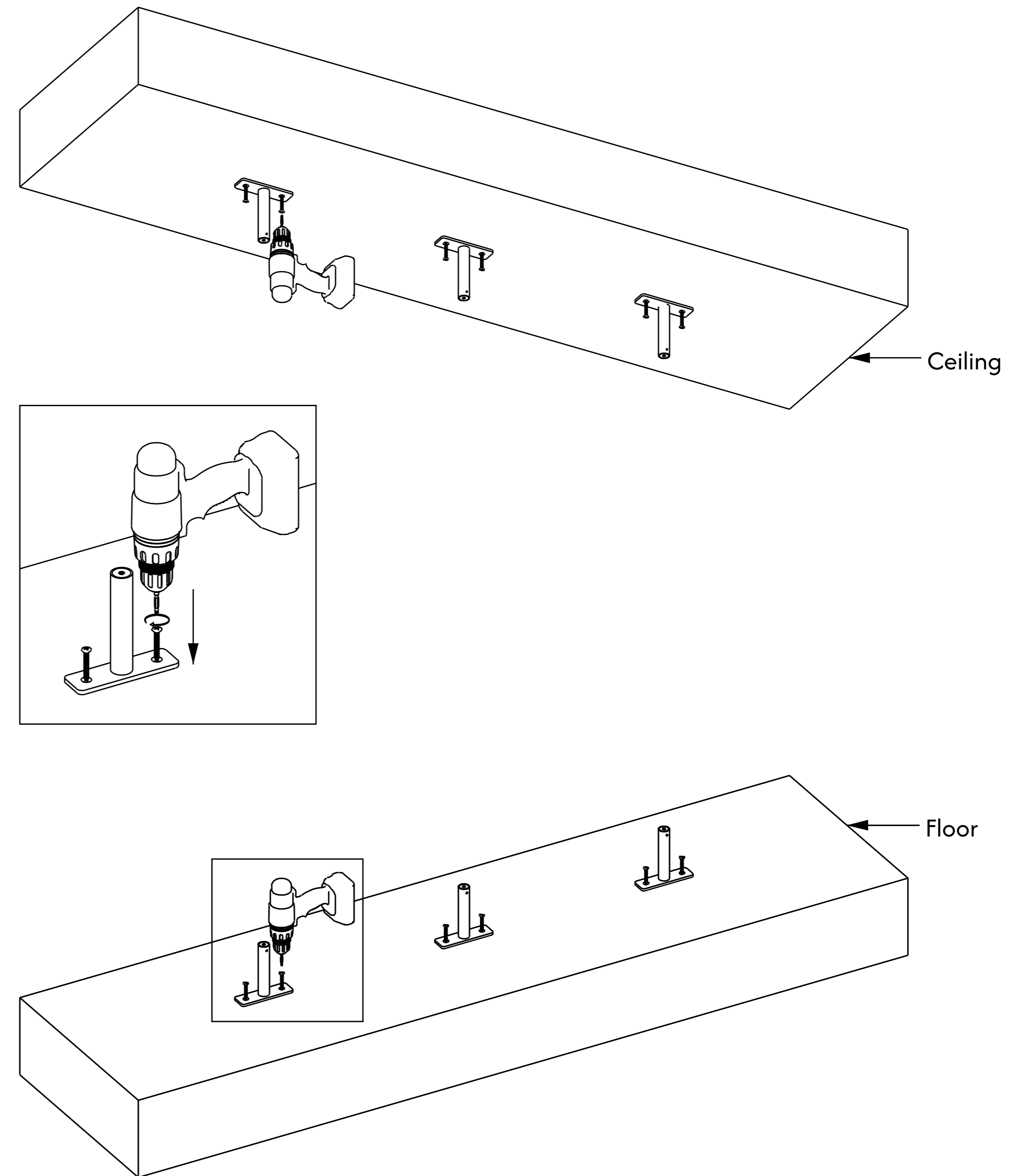
Step B:

The unit is aligned and securely mounted to the ceiling, using the floor as a reference for accurate positioning.



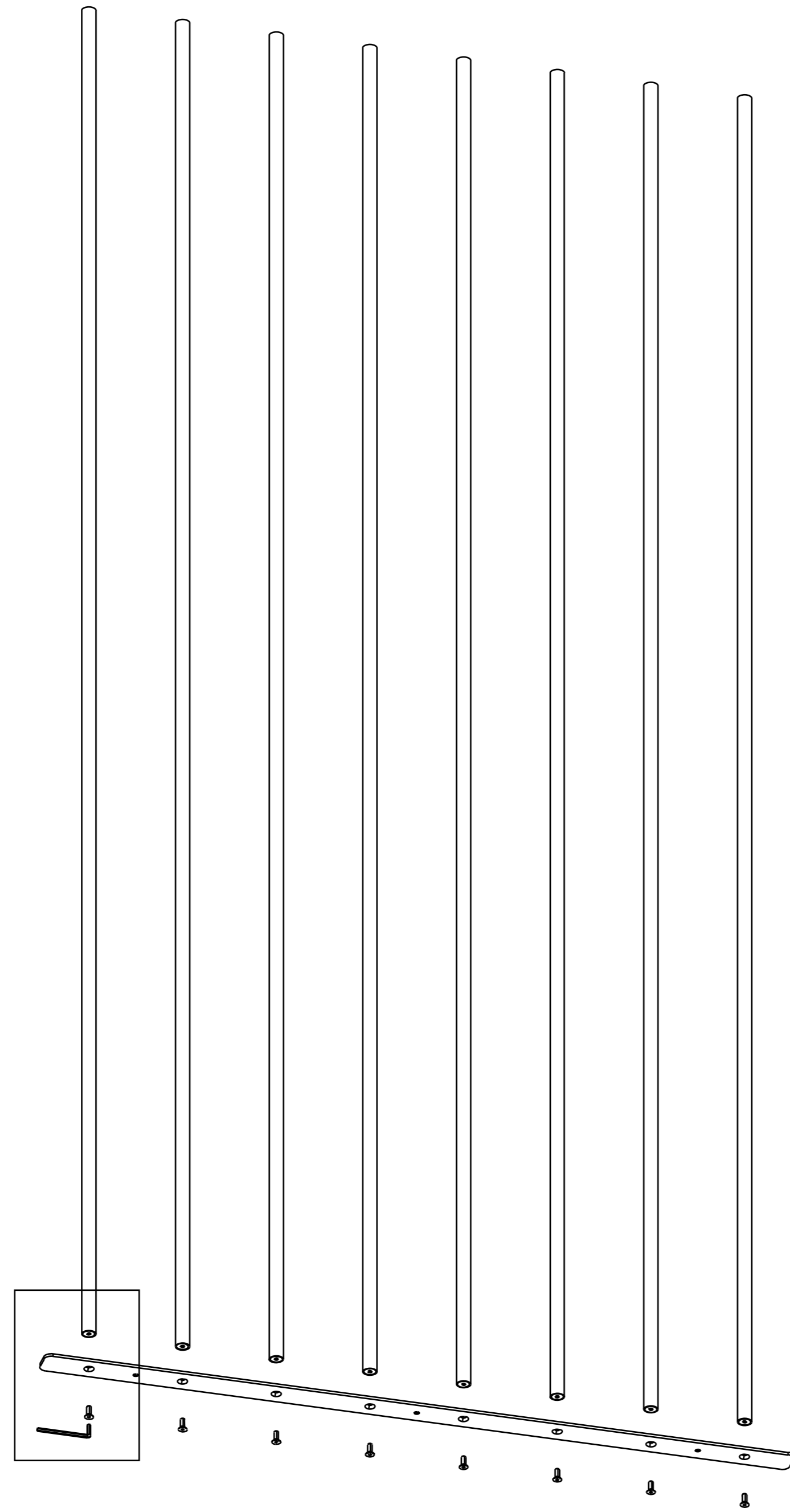
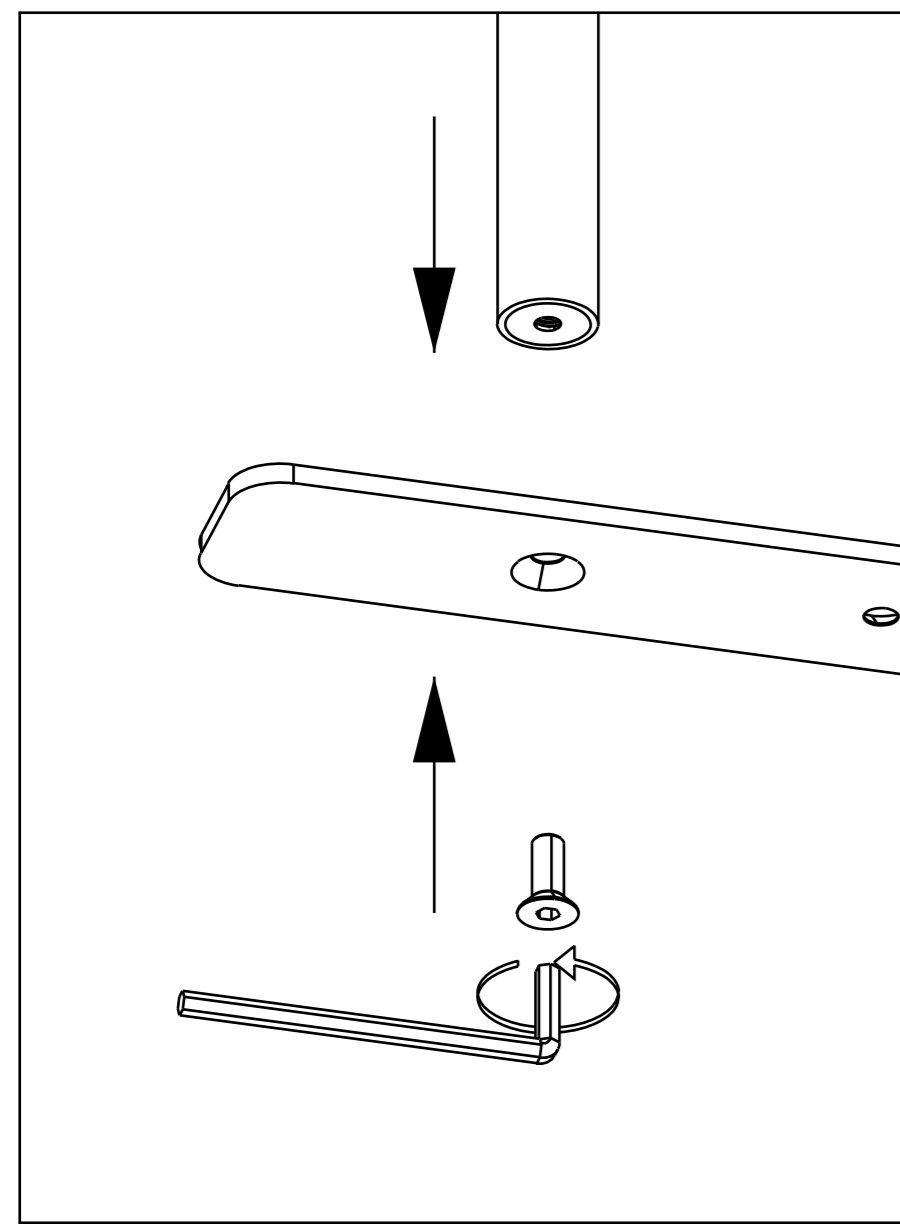
Step C:

Mark and drill the ceiling for the fastener.



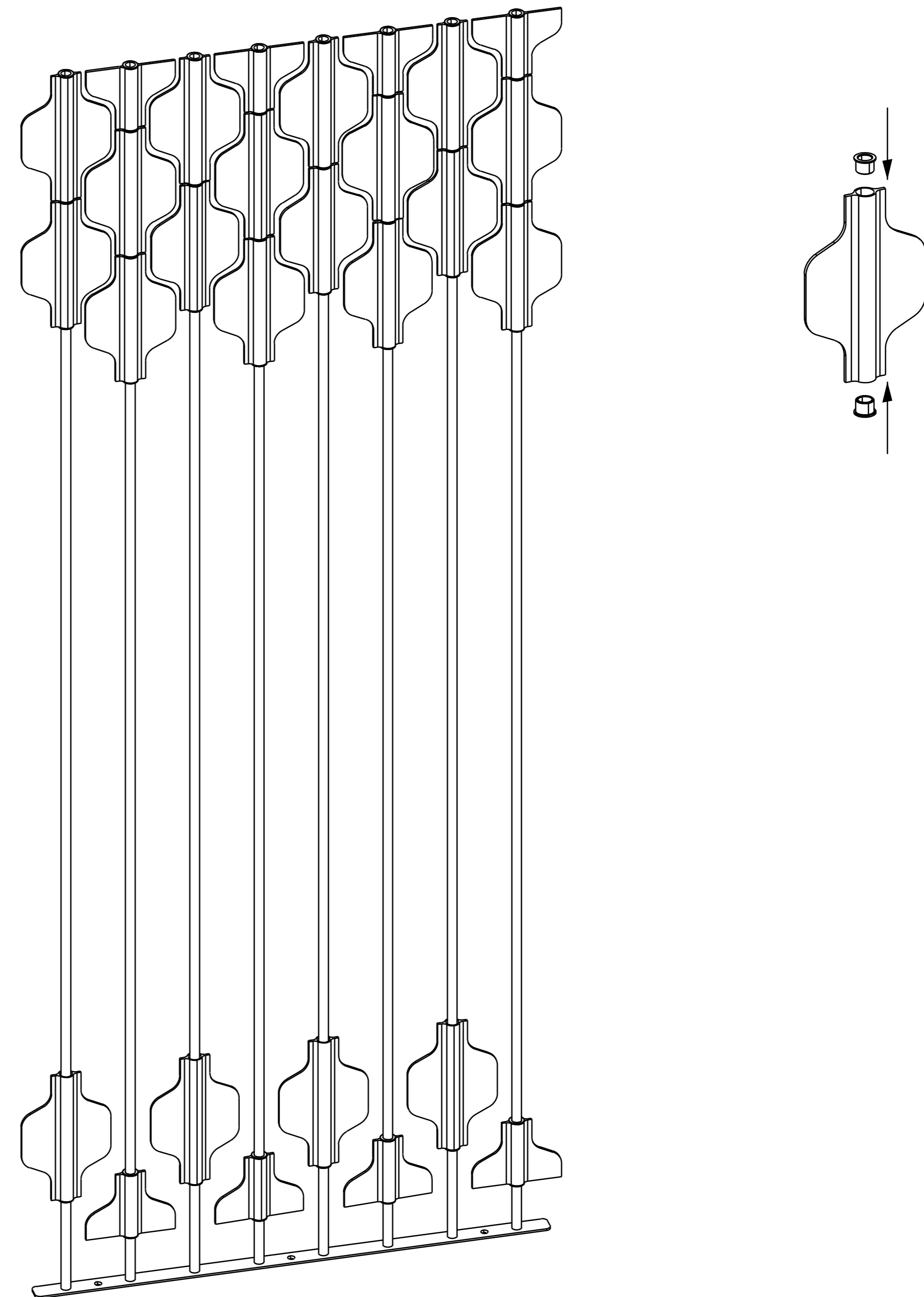
Step D:

Closed-up view for properly attaching and fixing rods with socket screws and Allen key



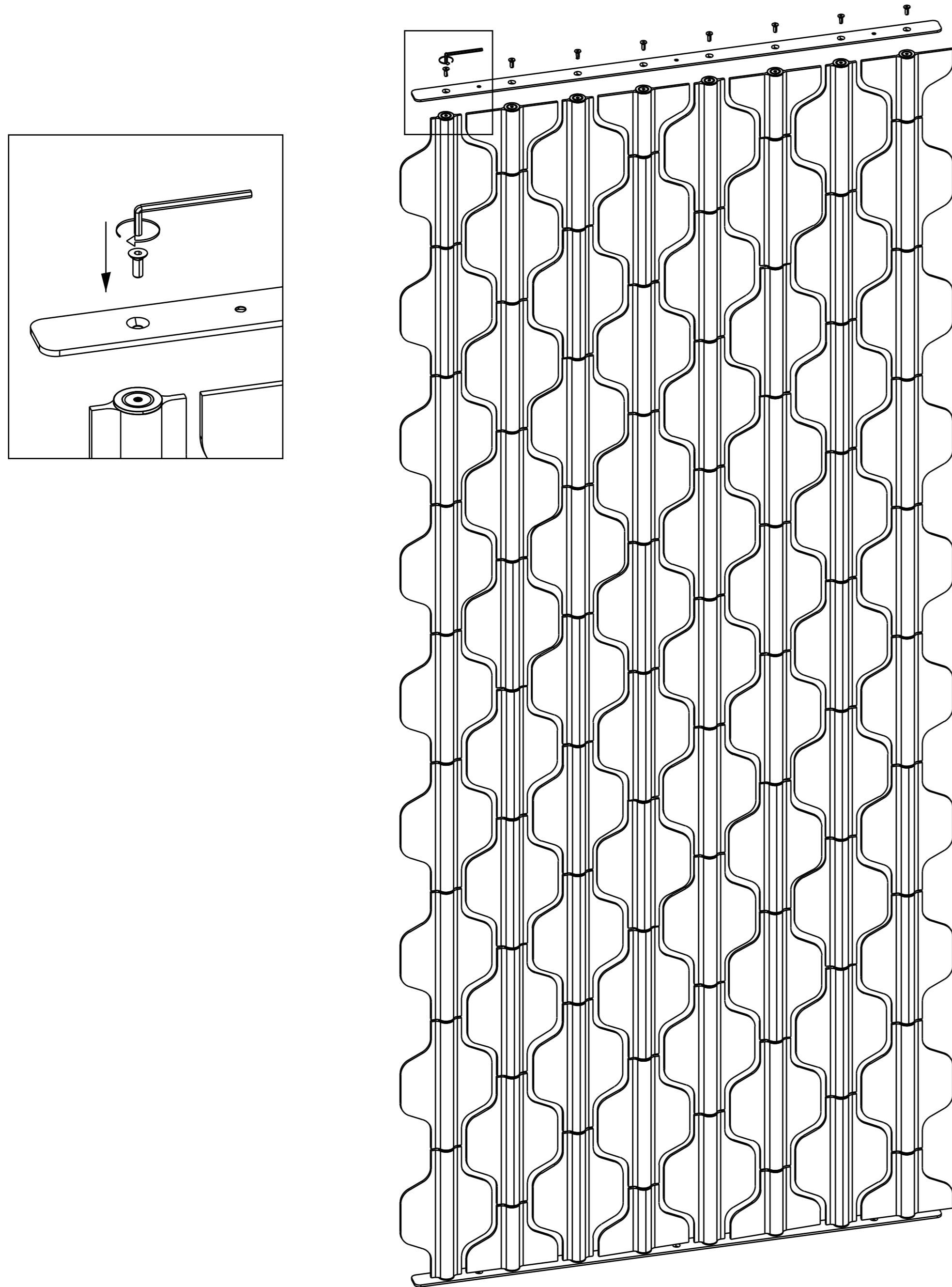
Step E:

Attach caps on both sides of the flap and insert the flaps into the module as per drawing details and sequencing.



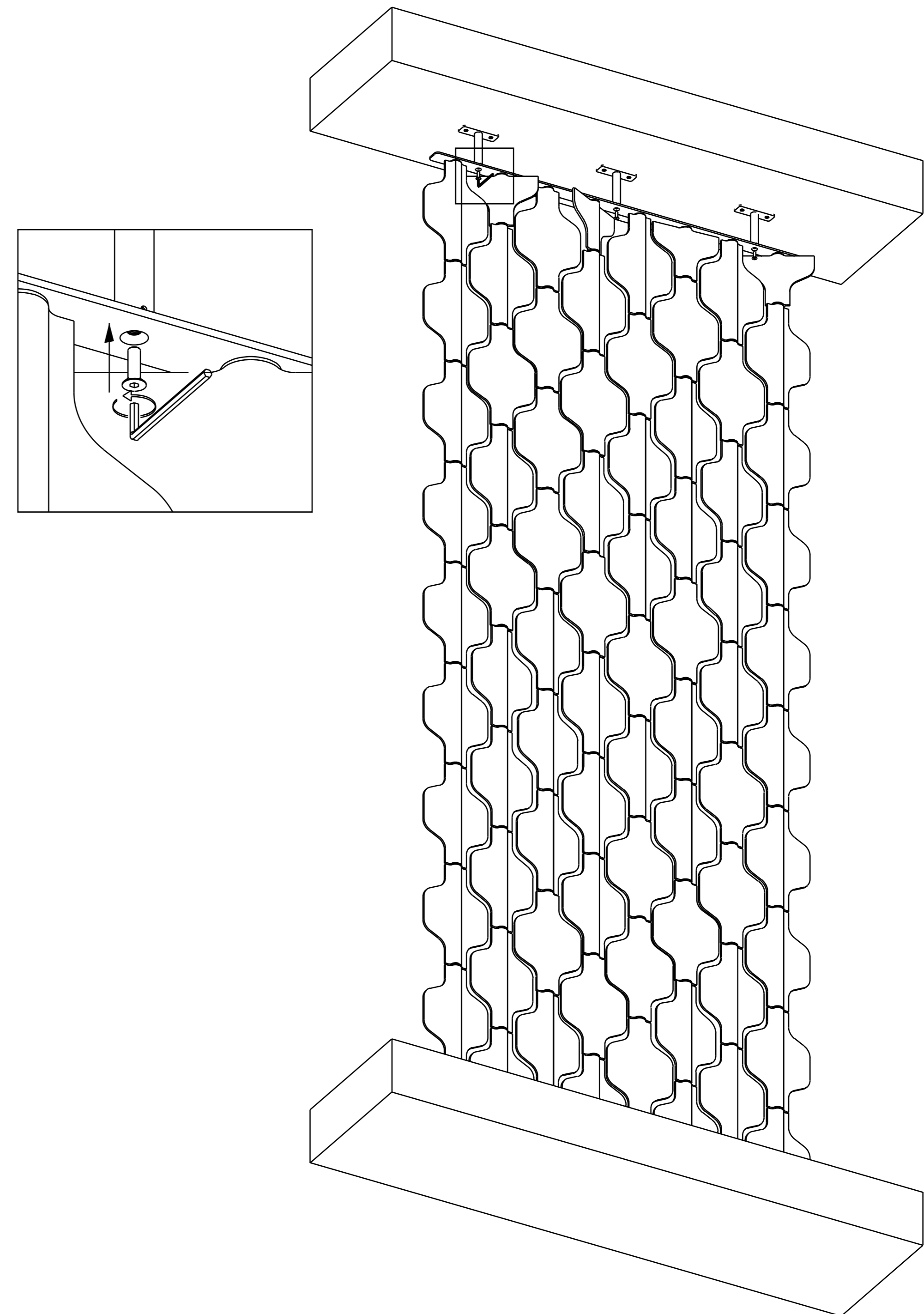
Step F:

Secure the top plate onto the module once all flaps have been inserted.



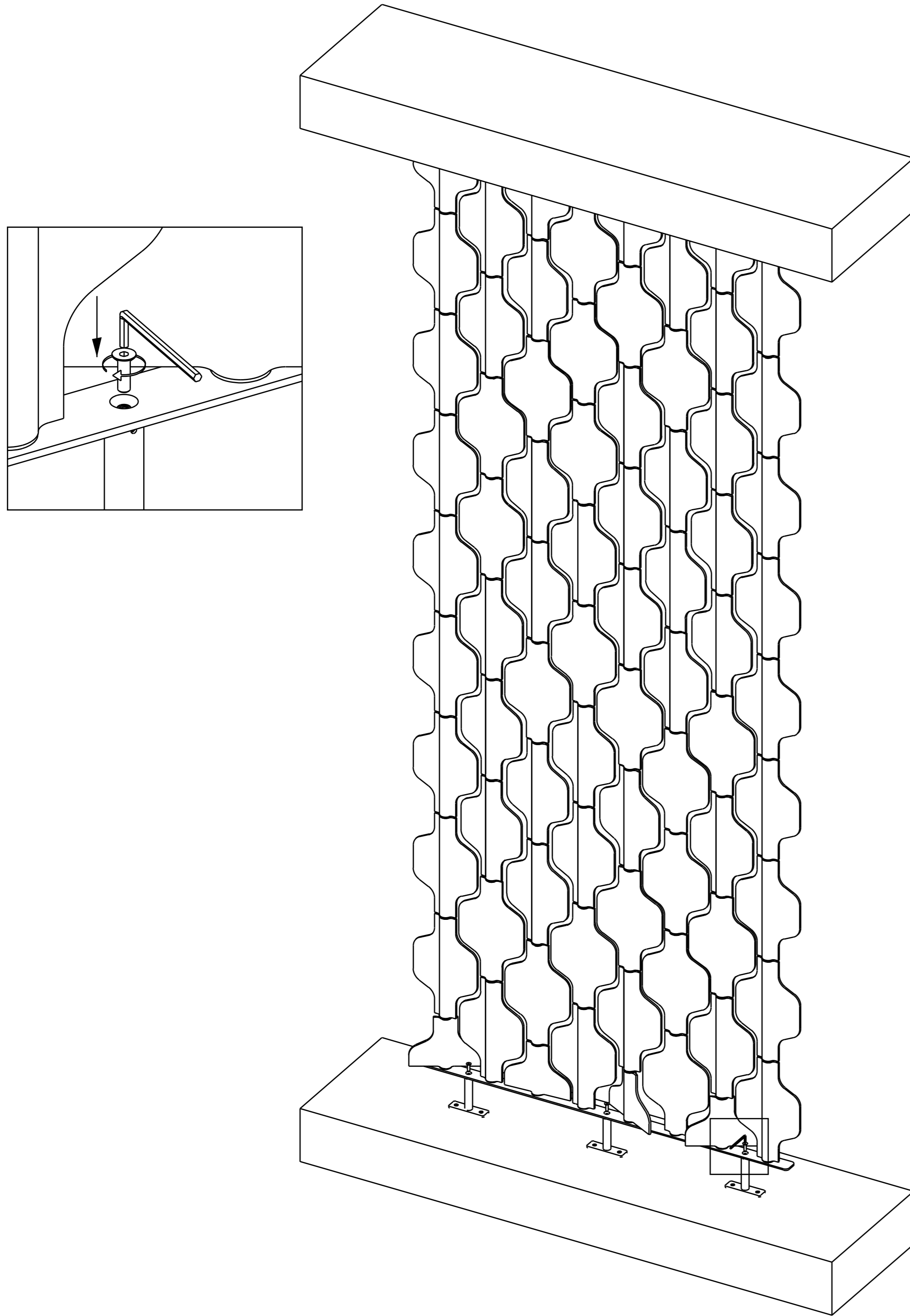
Step G:

Fix the module with nut-bolting to the applied ceiling fastener.



Step H:

Fix the module with nut-bolting to the applied ceiling fastener.



 info@sensesakustik.com

 www.sensesakustik.com