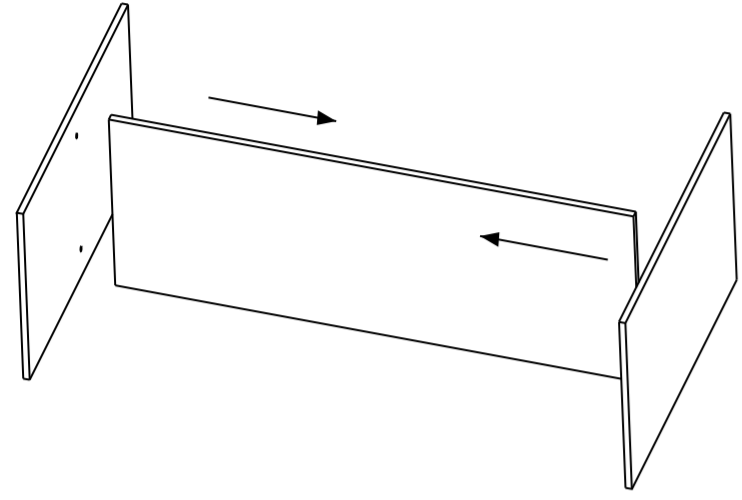
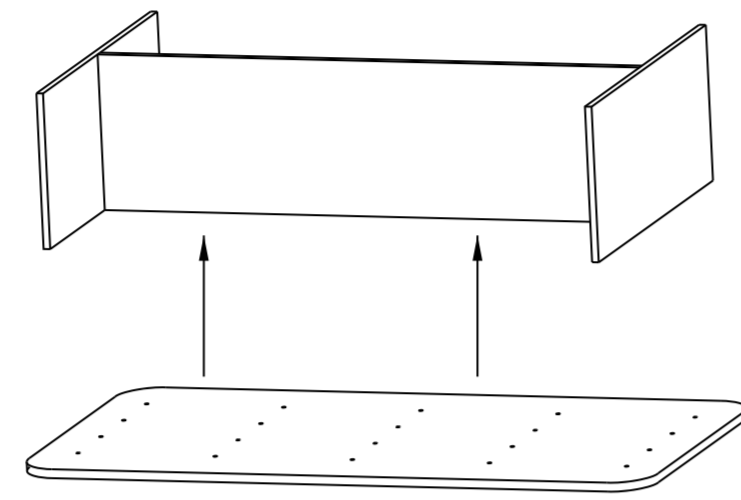


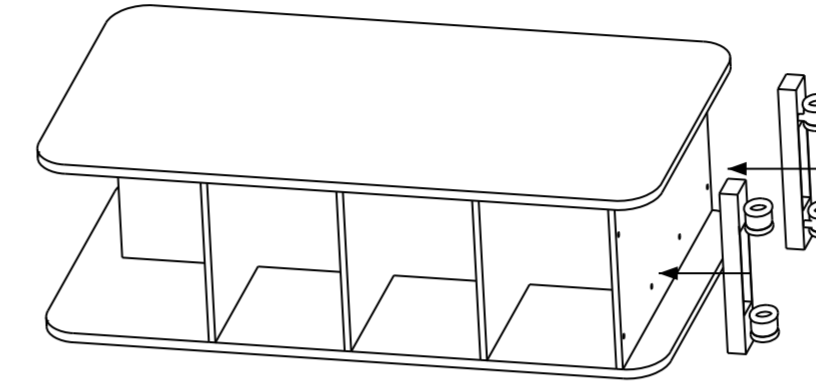
Installation Steps



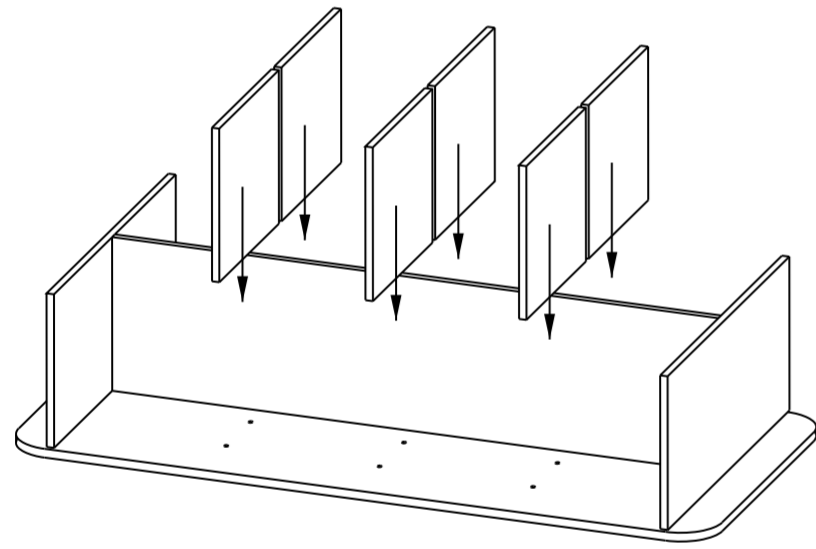
Step A: Attach the center part of the board to the top and bottom parts and tighten with a screwdriver.



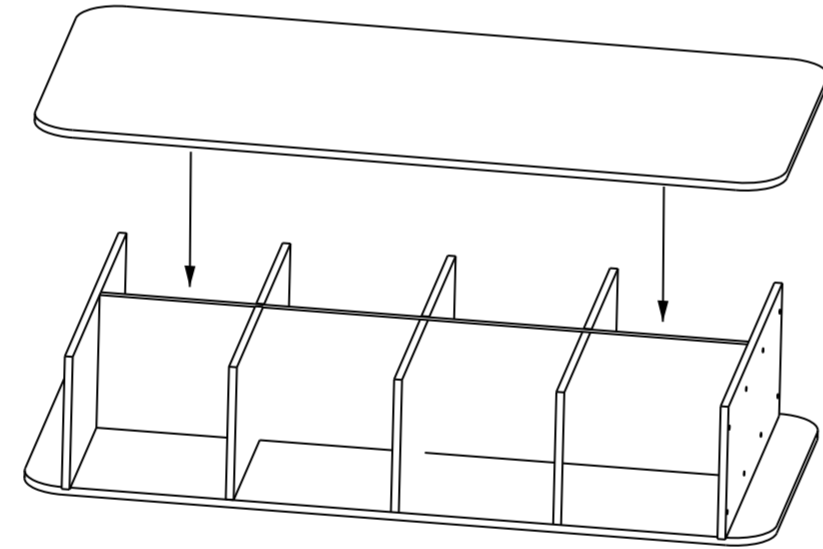
Step B: Mount the top fabric panel onto the structure.



Step E: Attach the casters to the metal legs and the metal legs to the board structure with a screwdriver.



Step C: Insert the rack panels onto the desired marked points as suggested by the design.



Step D: Apply the whiteboard panel to the top and tighten it onto the marked areas.

 info@sensesakustik.com

 www.sensesakustik.com