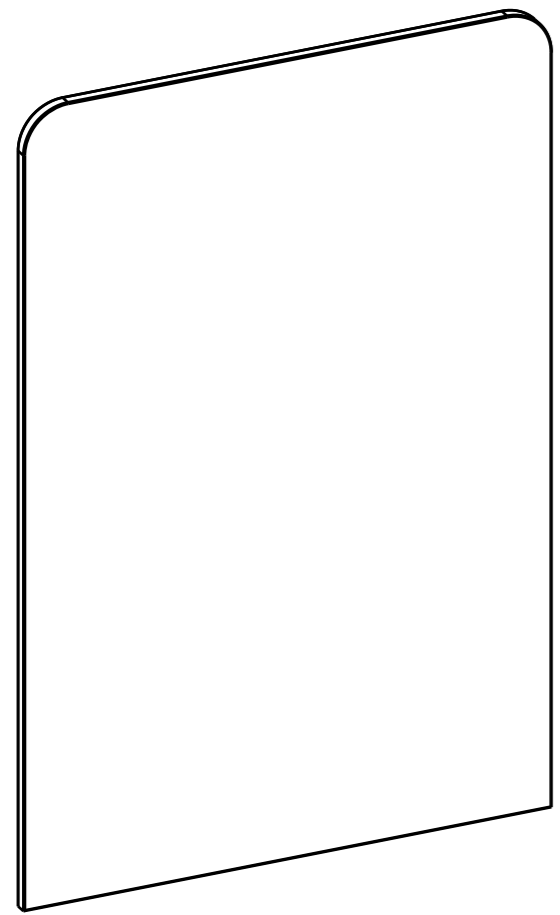


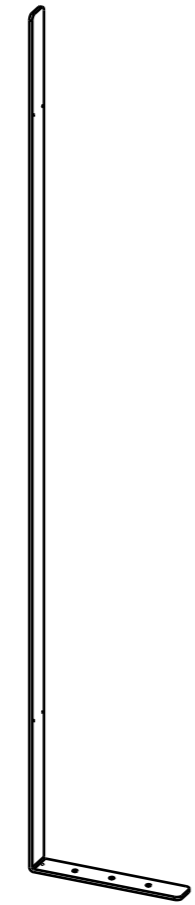


Installation Steps

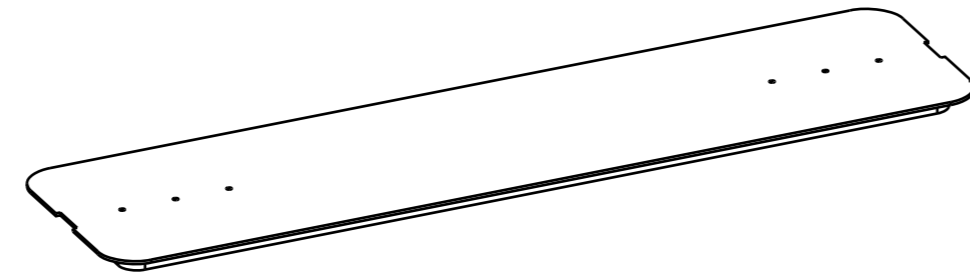
Part Overview



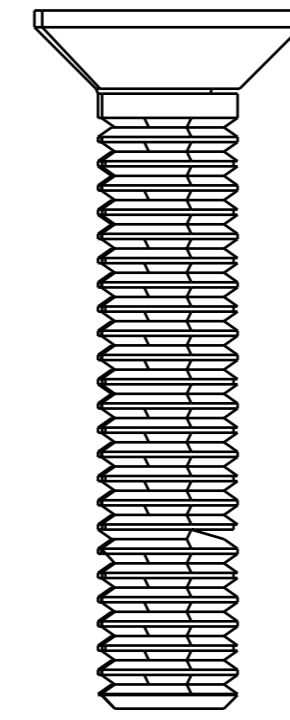
Divider



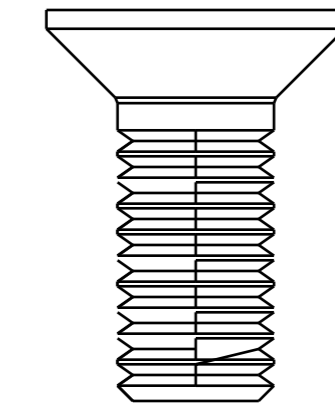
Side Support



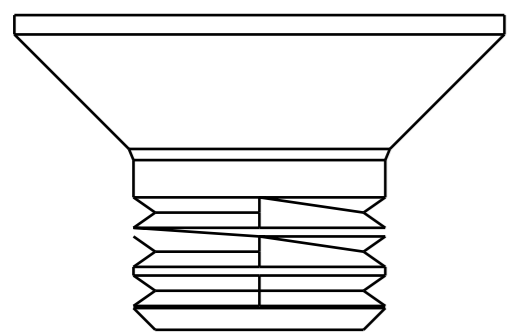
Base Plate



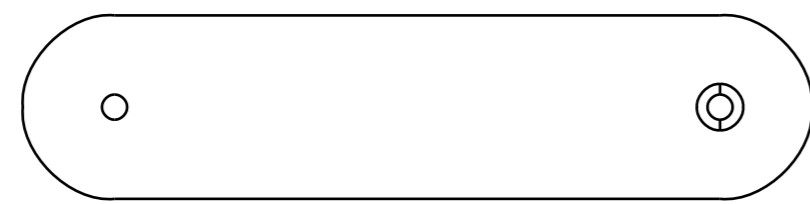
SCH Screw
M4 x 35 mm



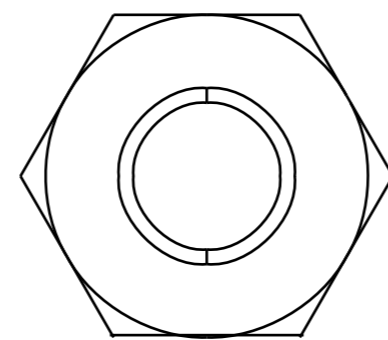
SCH Screw
M4 x 10 mm



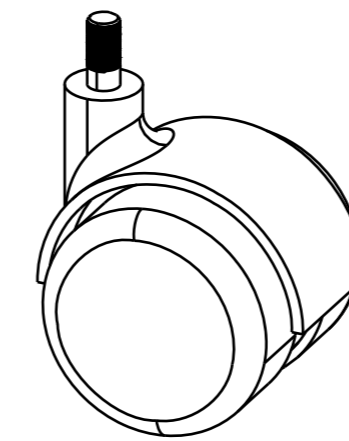
SCH Screw
M8 x 10 mm



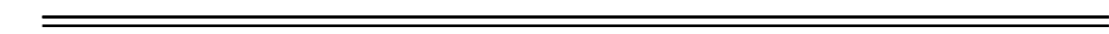
Connector



M-4 Nut



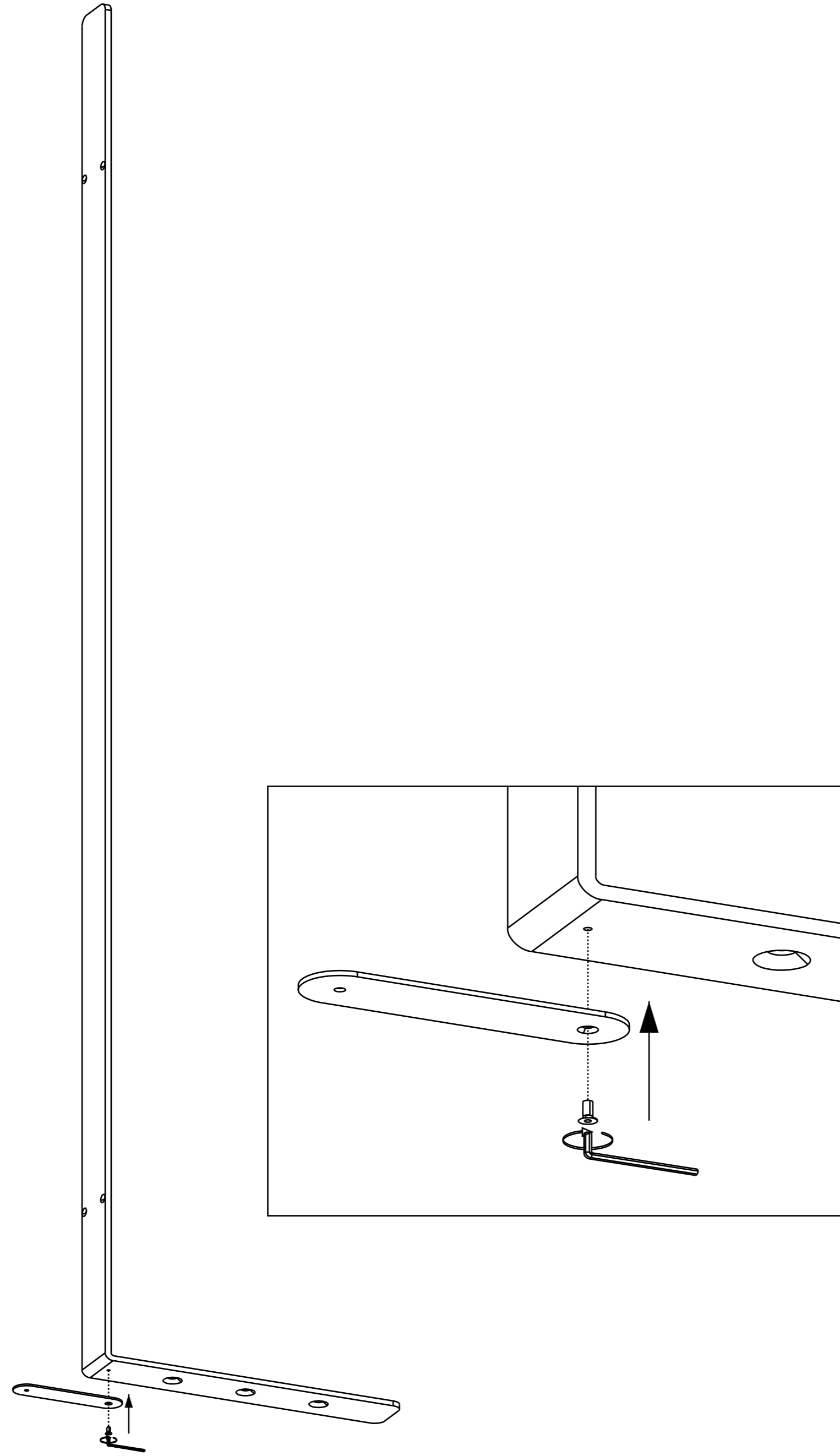
Caster



10 mm Rod

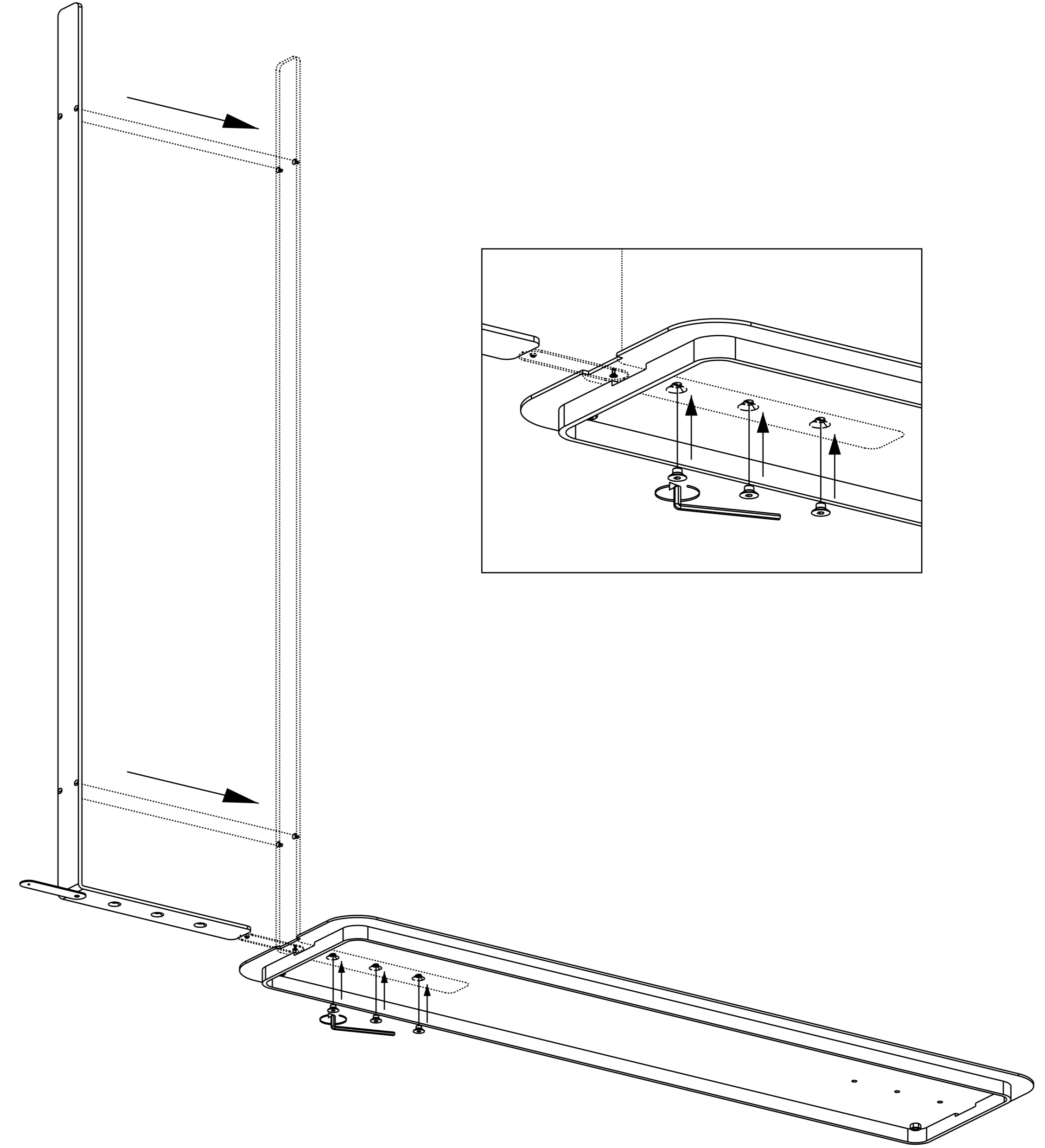
Step A:

Connect the connector and side support using M4 x 10mm screws.



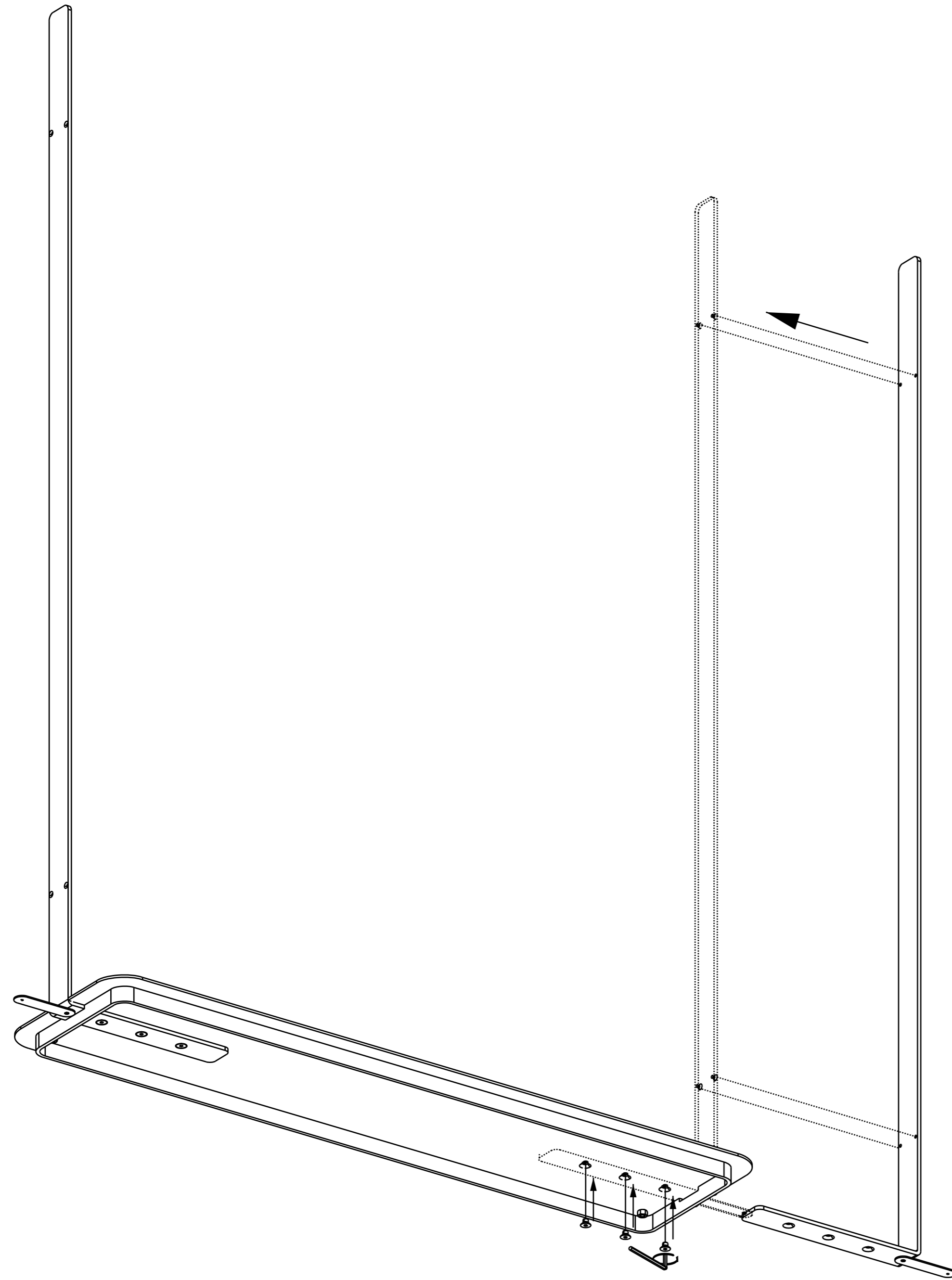
Step B:

Connect the side support and base plate using M8 x 10 mm screws.



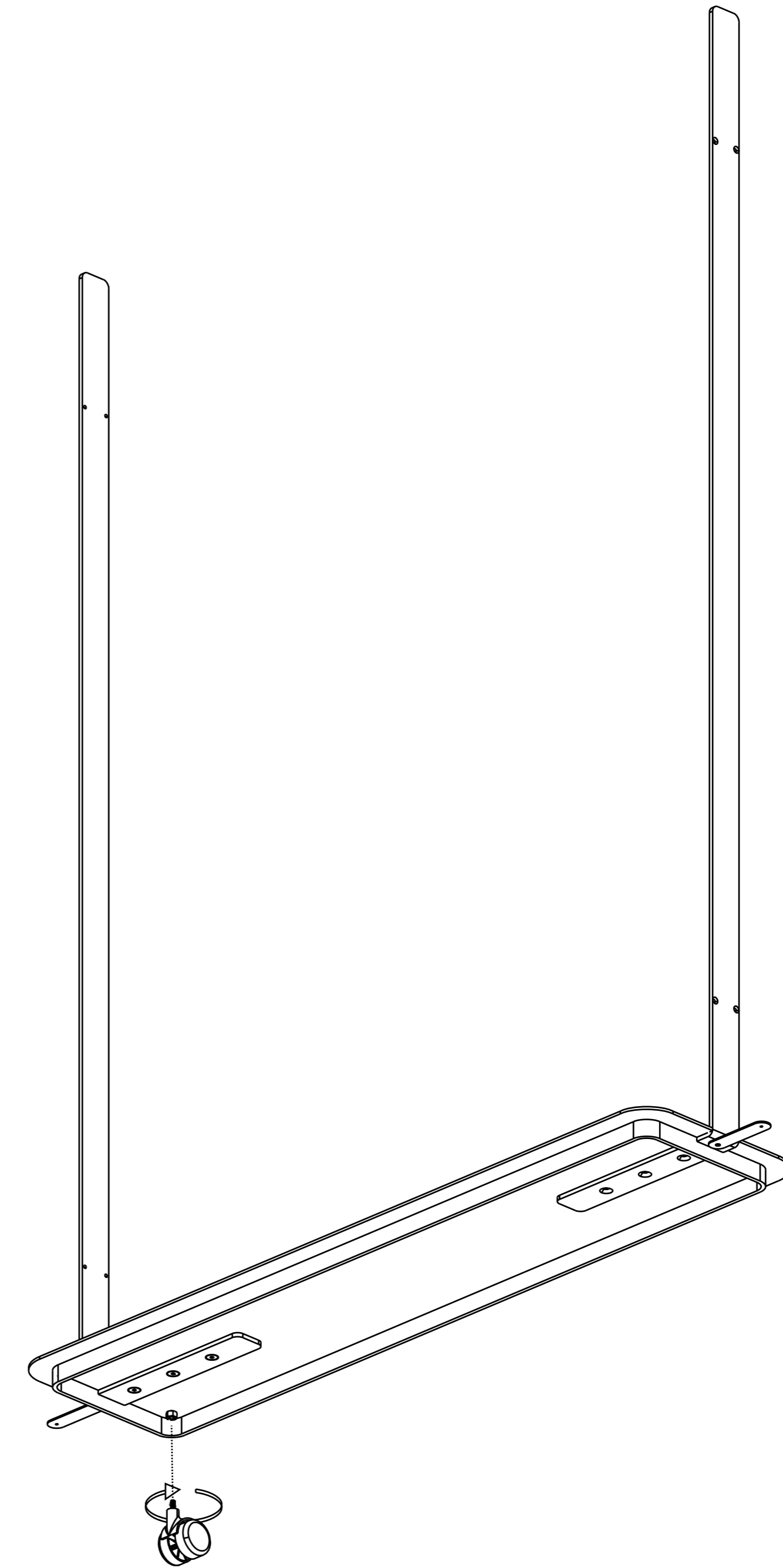
Step C:

Connect both side supports to the base plate using M8 x 10 mm screws.



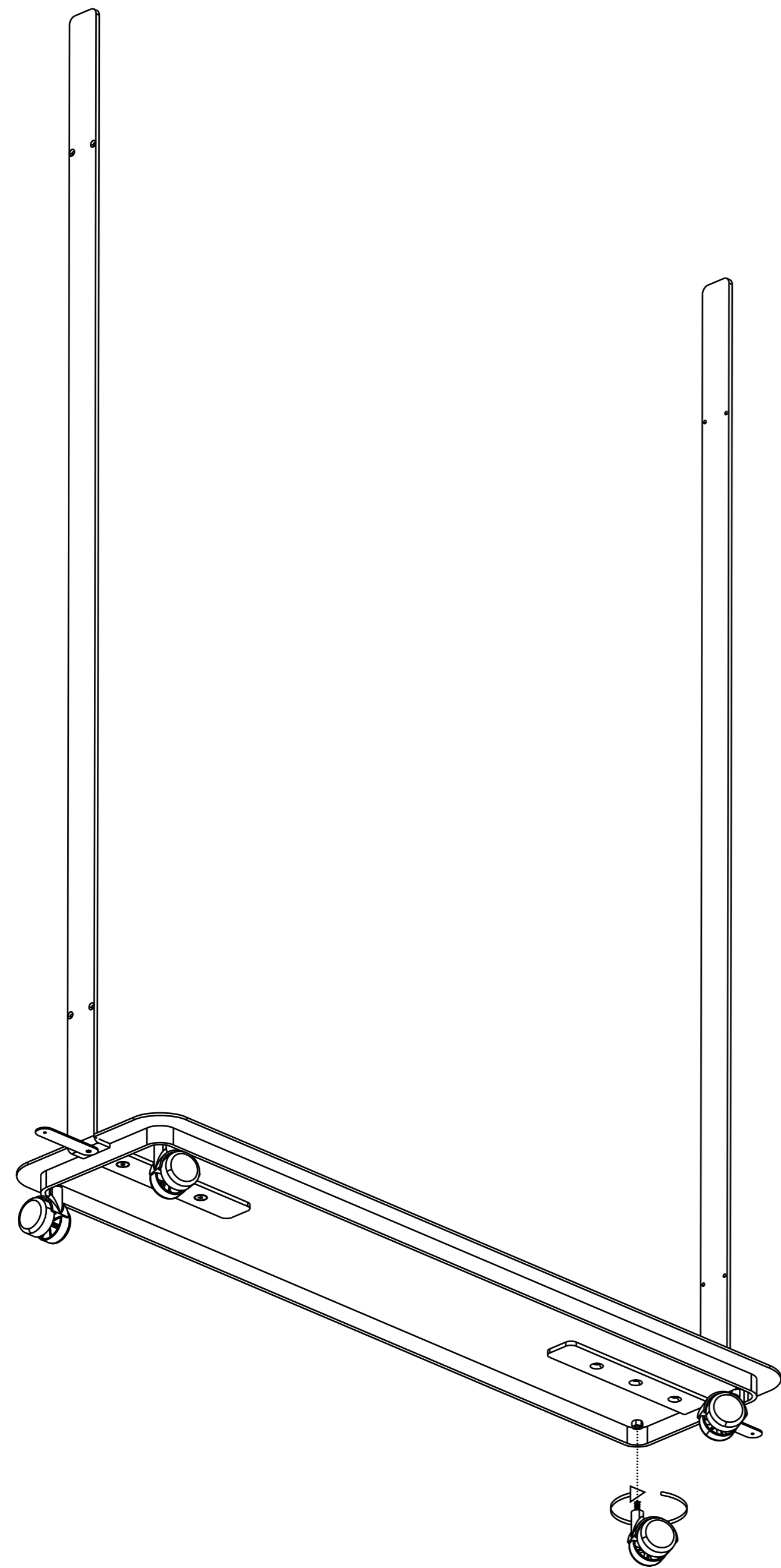
Step D:

Rotate the castor wheels and fit them into the base plate.



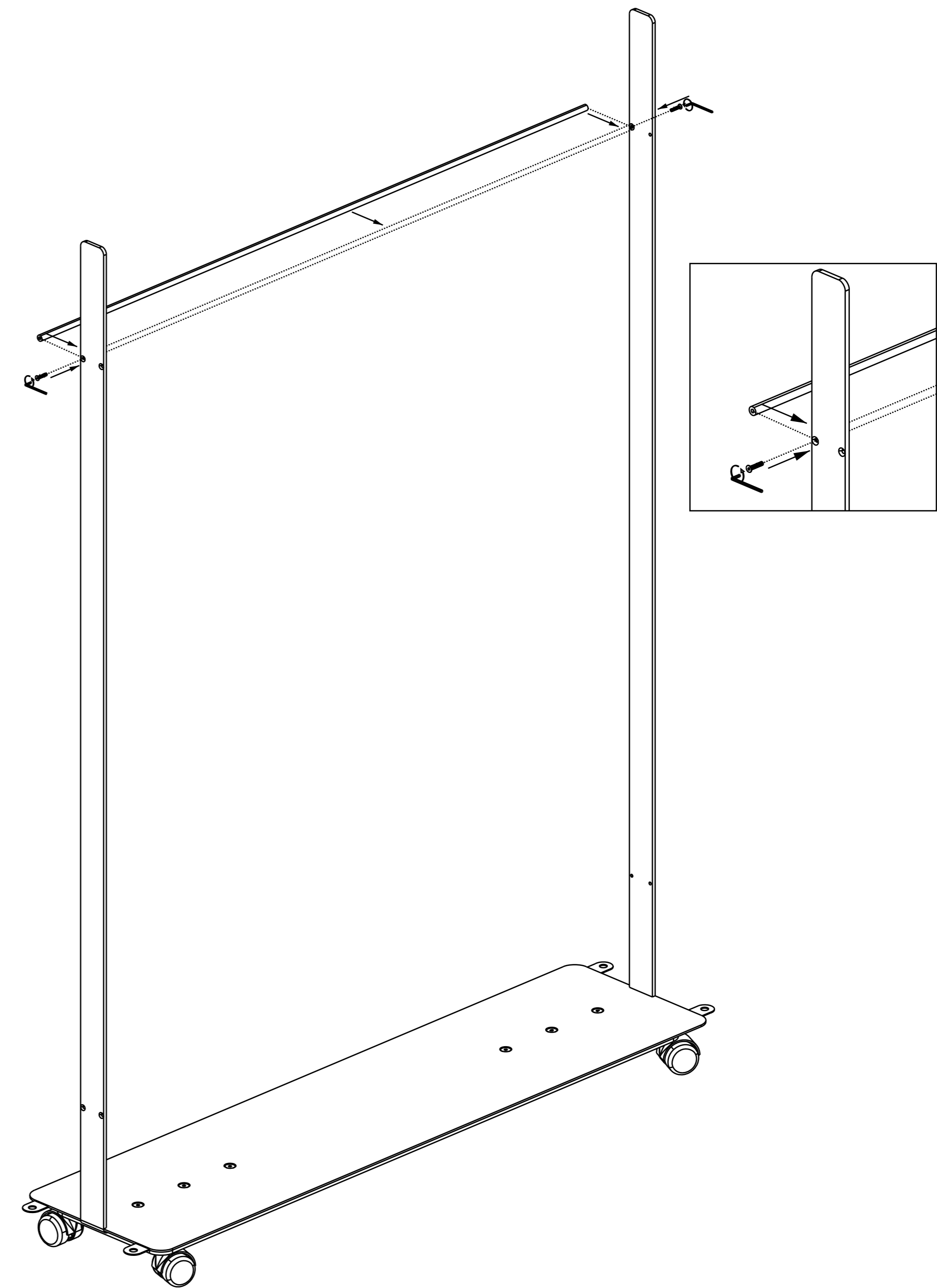
Step E:

Fit all the castor wheels one by one.



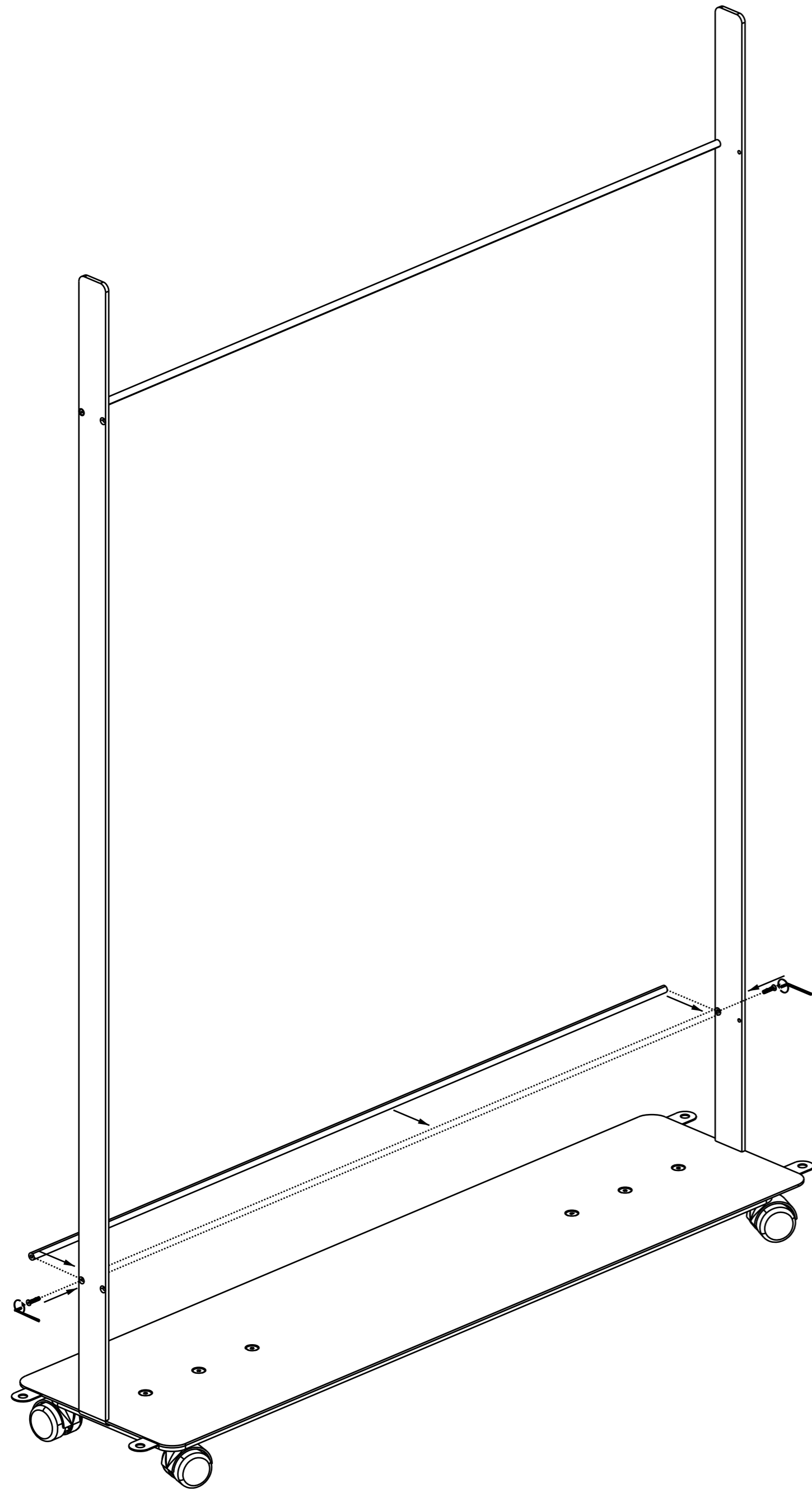
Step F:

Match the holes of the 10 mm rod with the top holes of the side support and secure both sides with M4 x 35 mm screws.



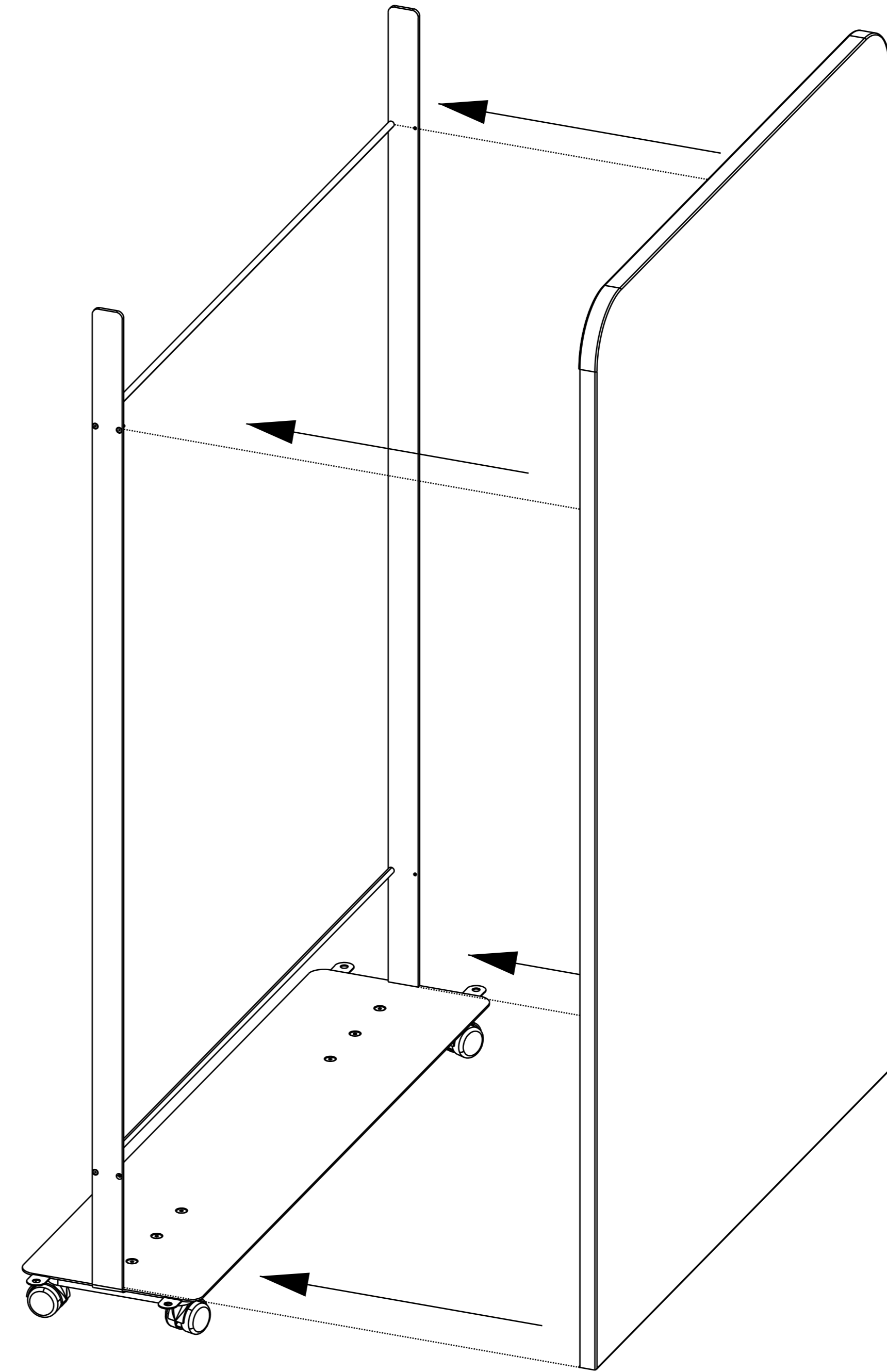
Step G:

Match the holes of the 10 mm rod with the bottom holes of the side support and secure both sides with M4 x 35 mm screws.



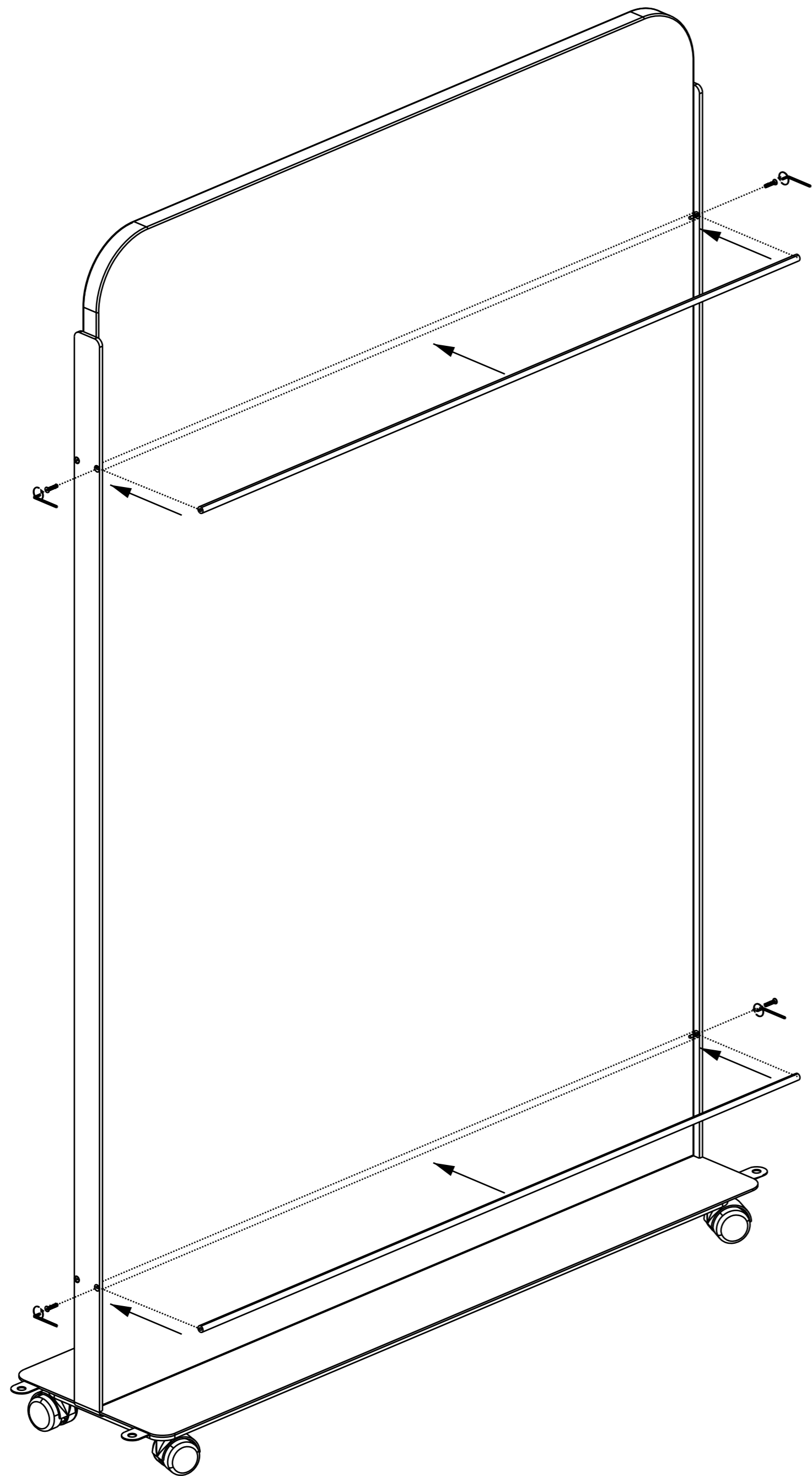
Step H:

Place the panel on the base plate using the 10 mm rod for support.



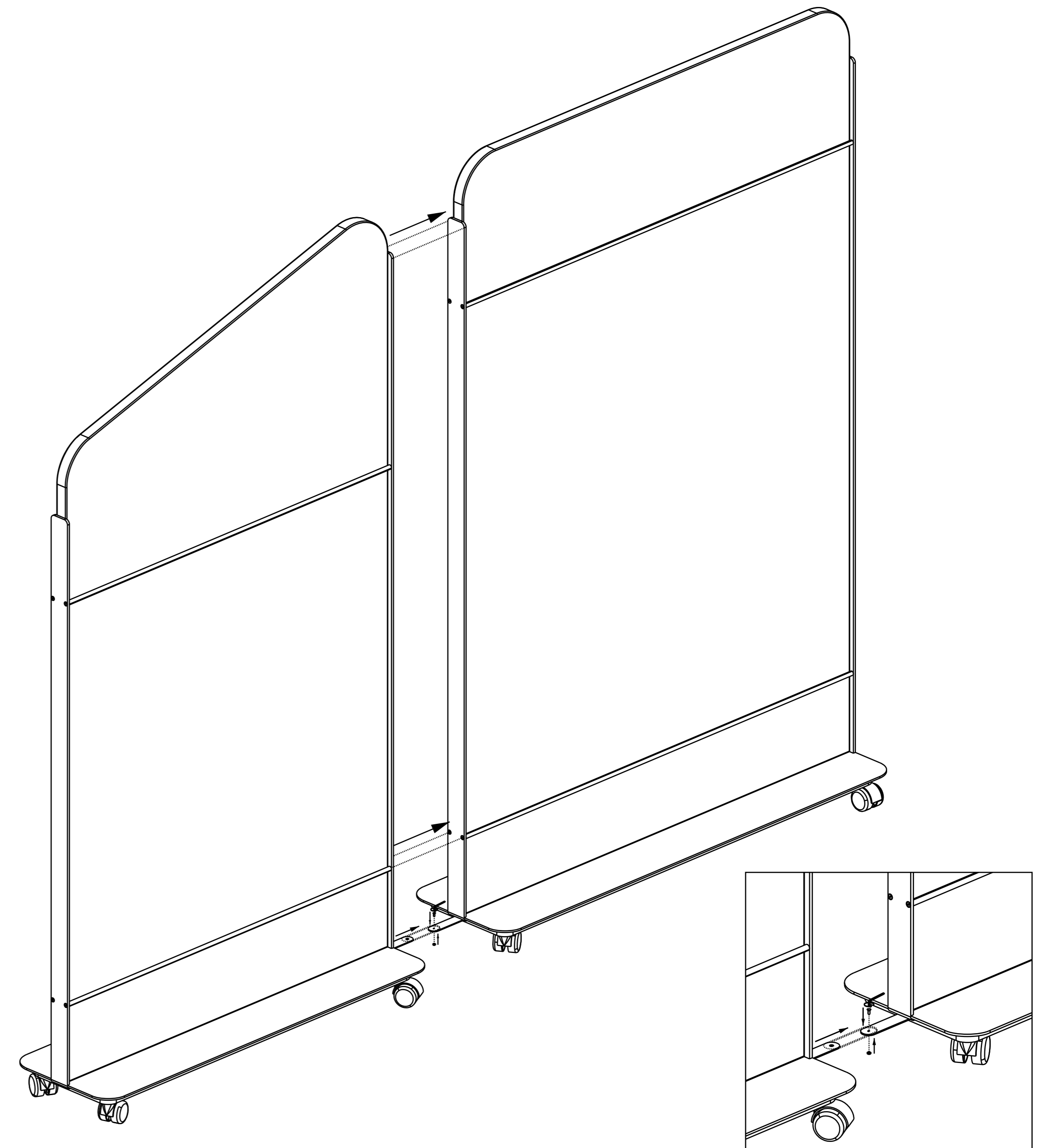
Step I:

Match the holes on the other side of the side support with the holes on the 10 mm rod and secure with screws.



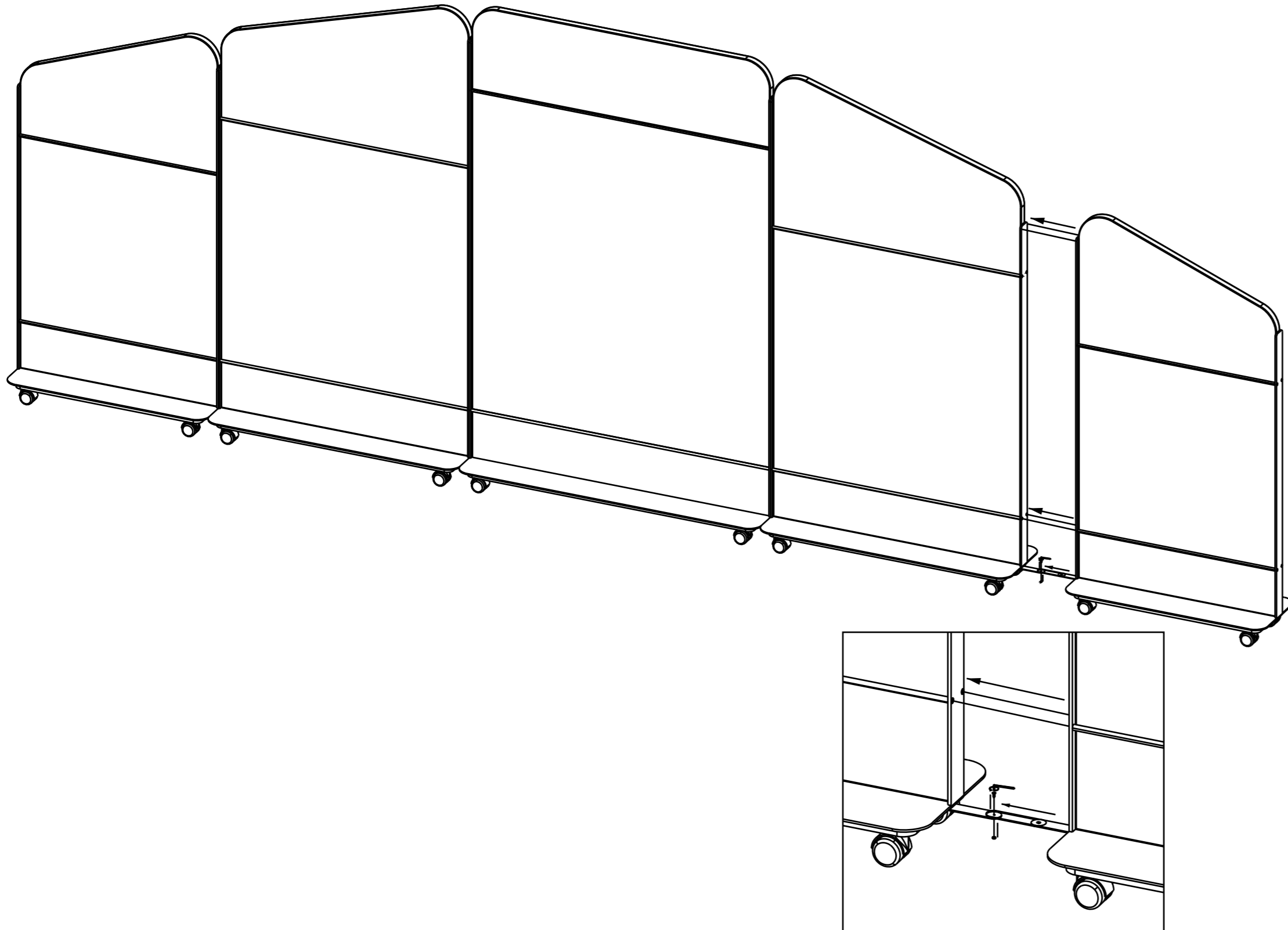
Step J:

Connect two dividers using M4 x 10 mm screws and nuts.



Step K:

Connect all dividers one by one using M4 x 10 mm screws and nuts.



 info@sensesakustik.com

 www.sensesakustik.com