

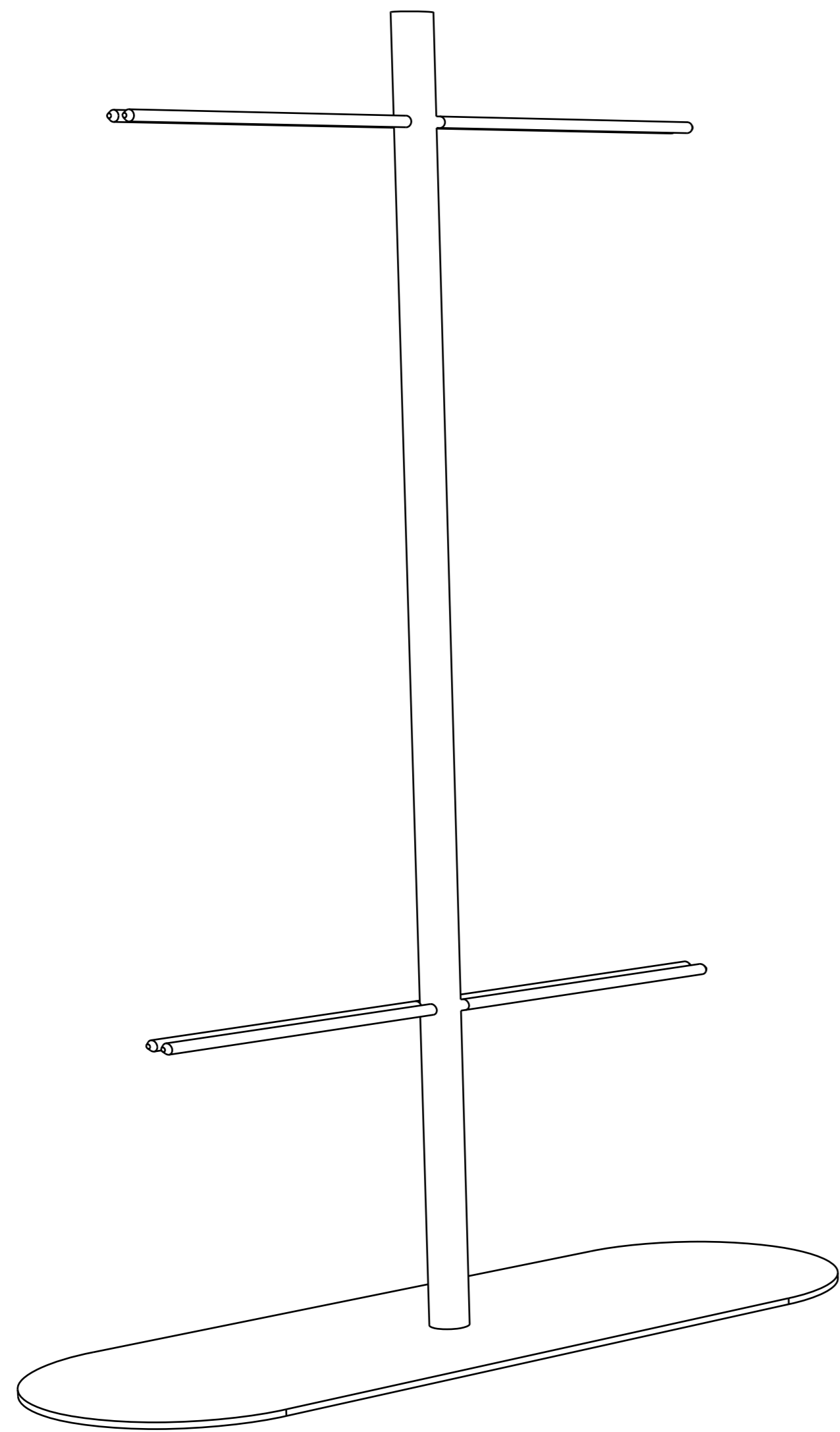


Installation Steps

Floor Mounted

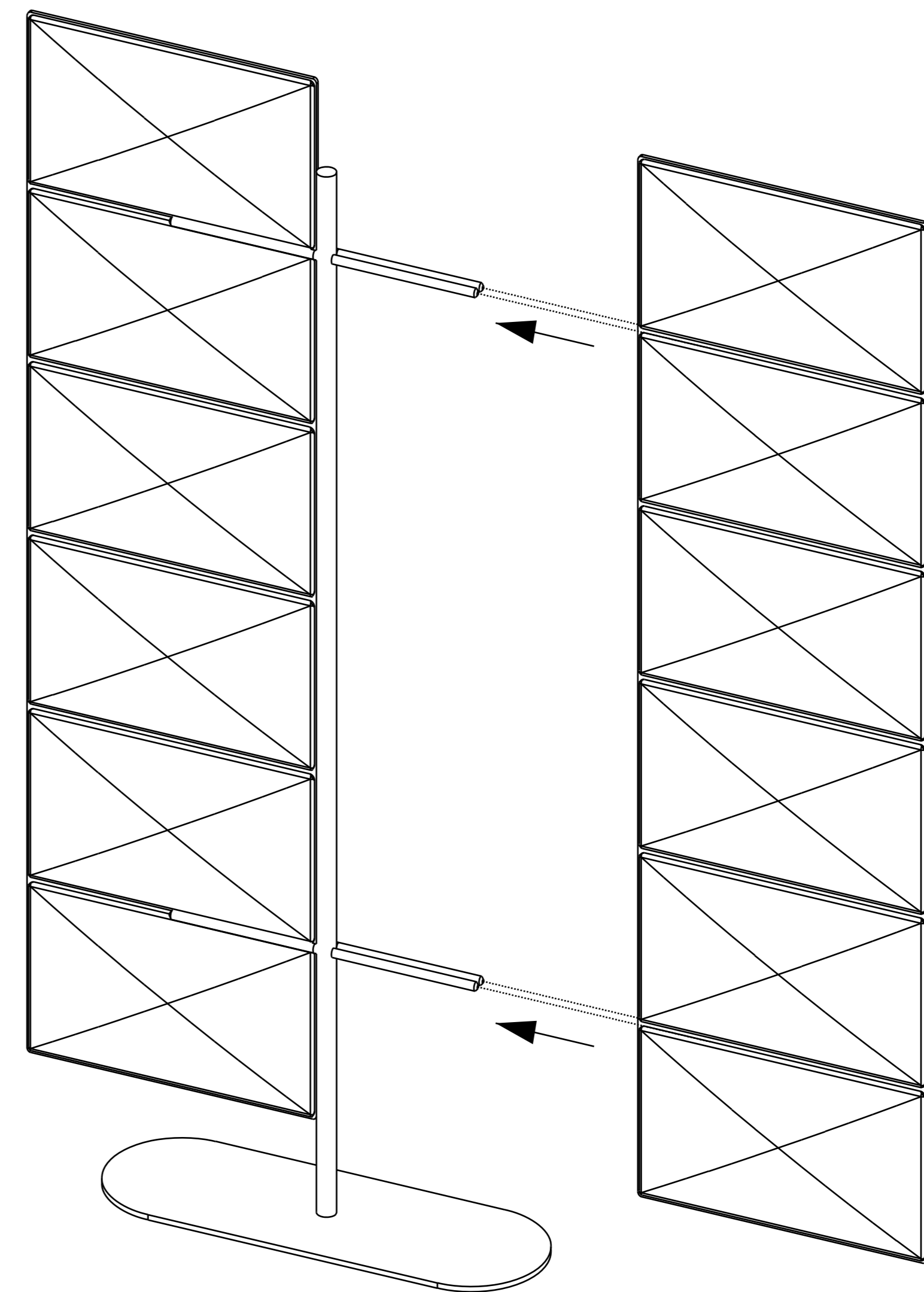
Step A:

Remove all contents from the box and place them on a flat surface.



Step B:

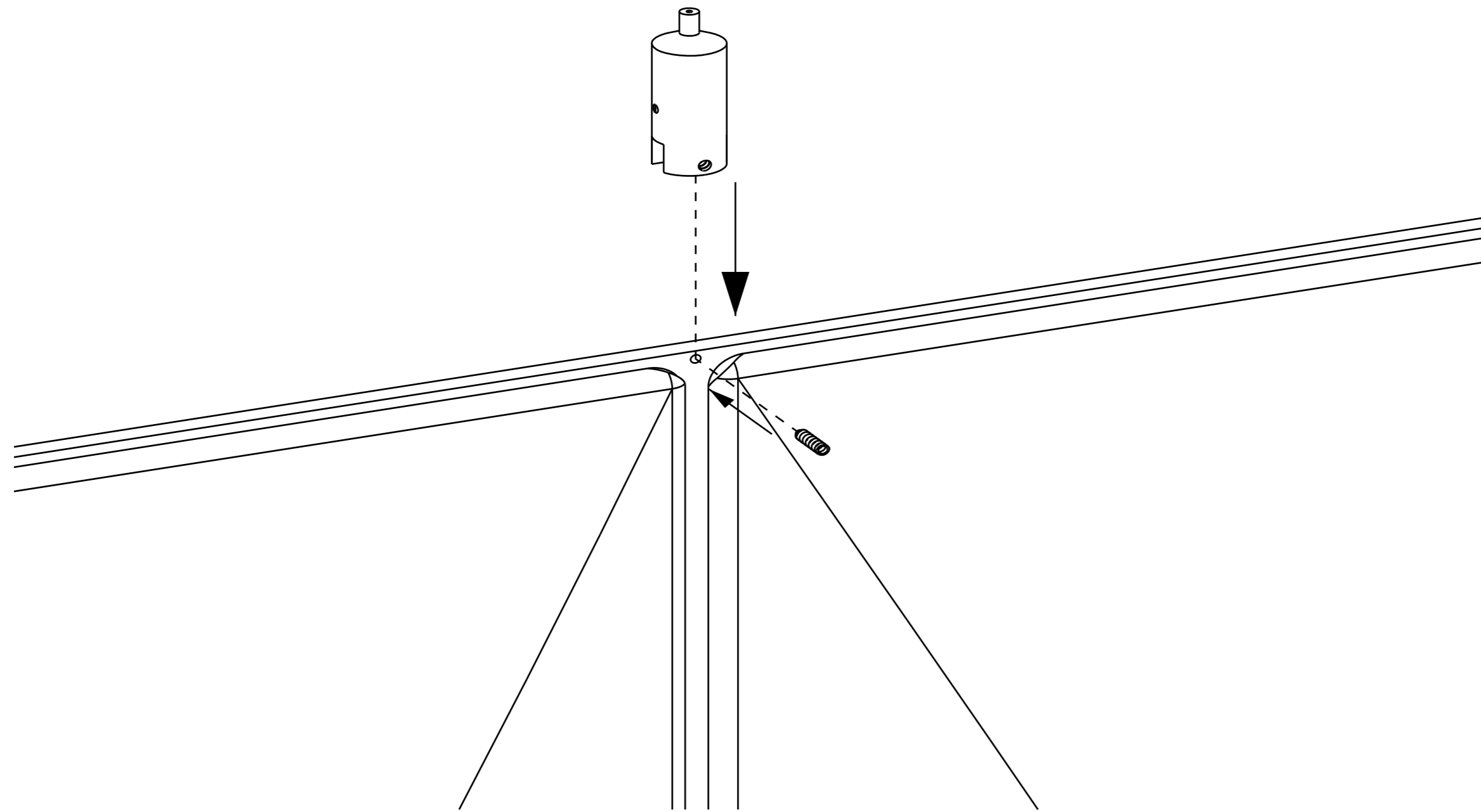
Insert both flaps into the left and right designated sockets of the metal structure.



Ceiling Mounted

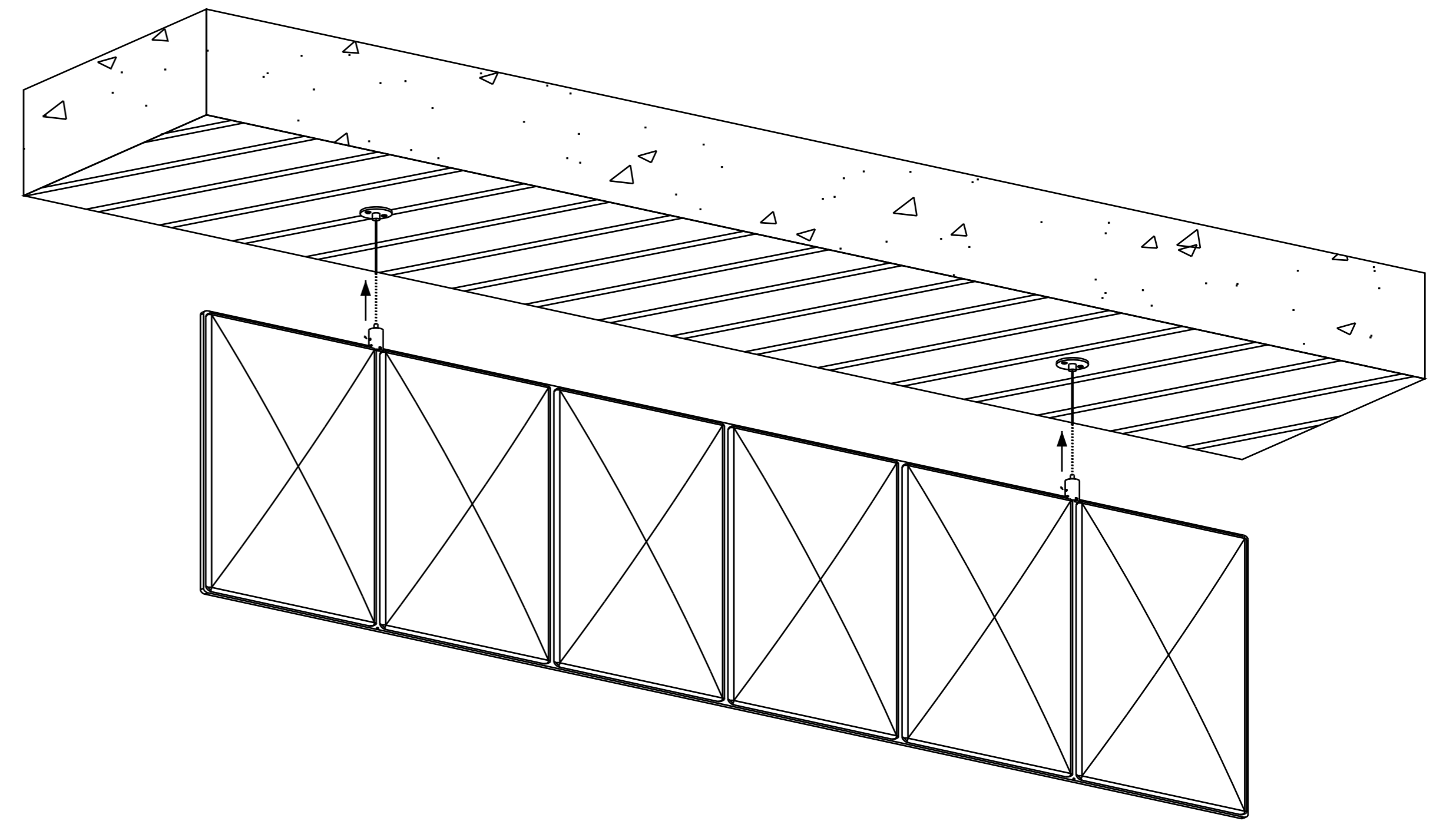
Step A:

Use the close-up view to attach the hardware with the grub screw.



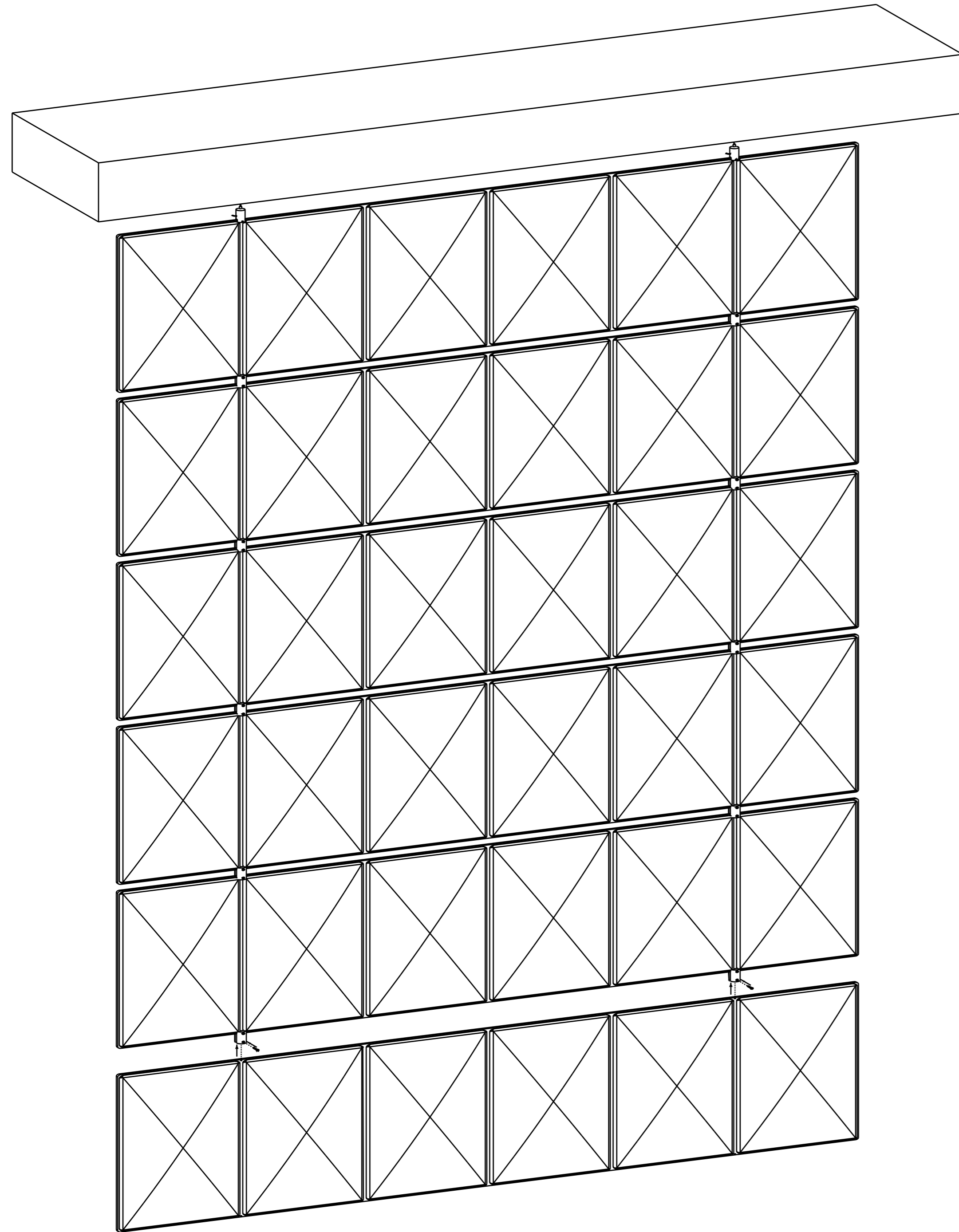
Step B:

Apply the clutch wire to both hardware pieces and mount the Punch flaps to the ceiling.



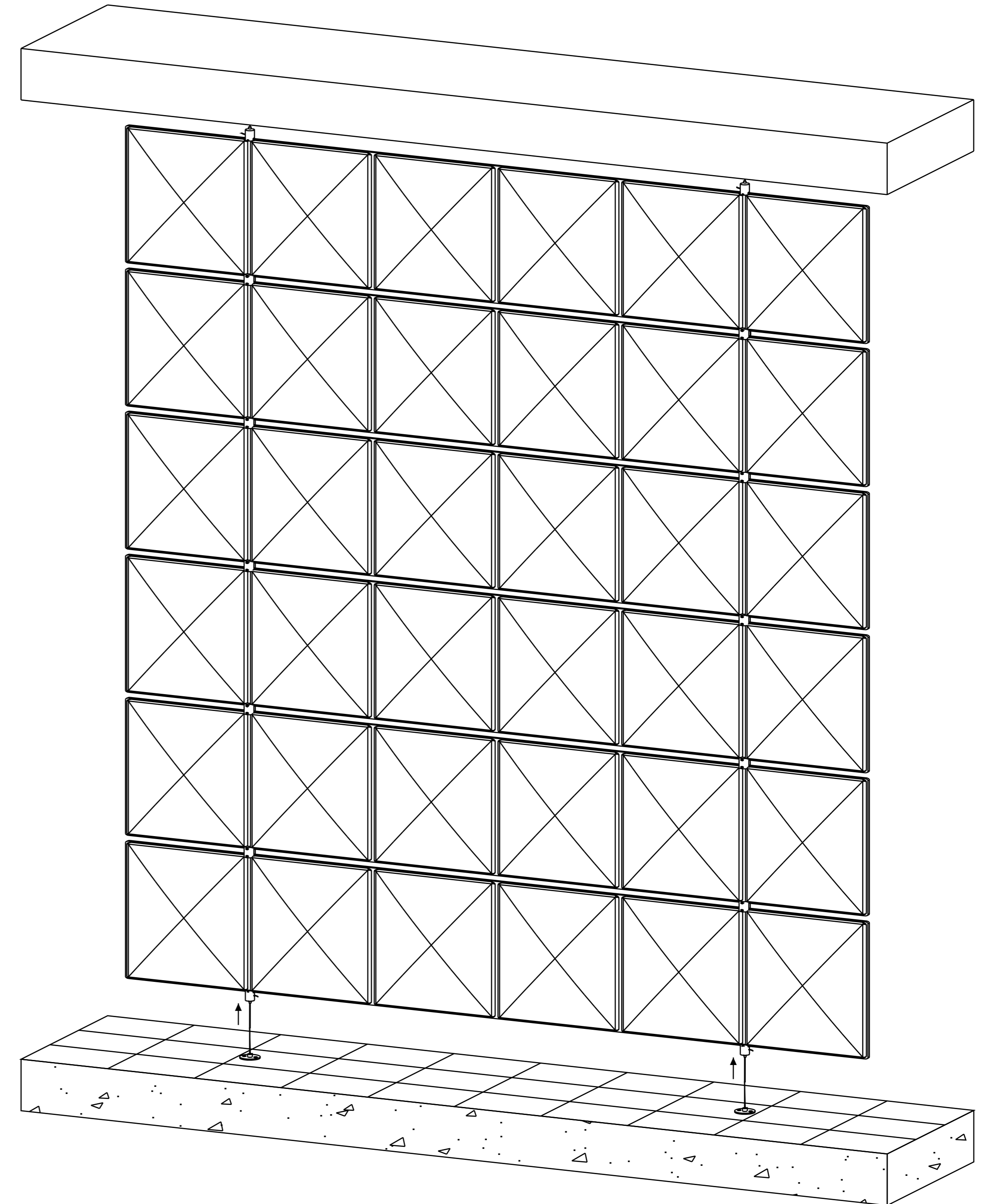
Step C:

Mount all flaps in the same manner.



Step D:

Insert the clutch wire into the bullet hardware and floor-marked hardware, then level the height.



 info@sensesakustik.com

 www.sensesakustik.com