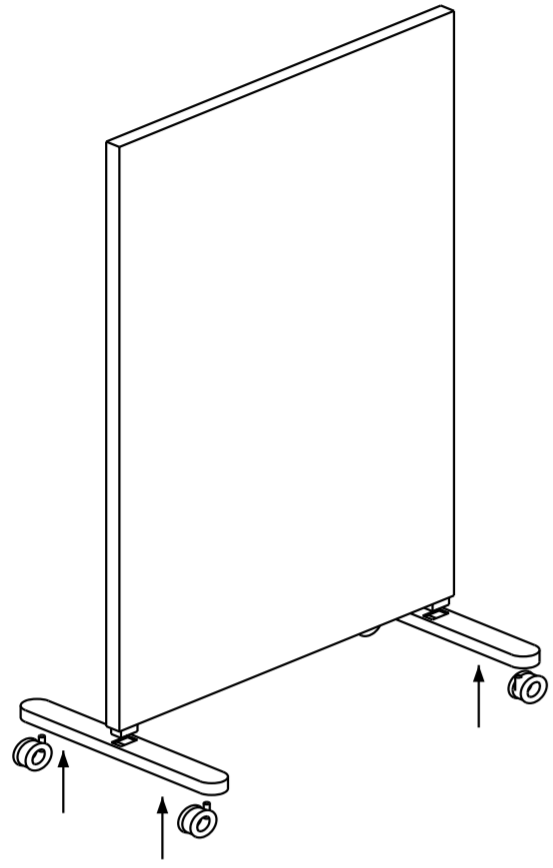
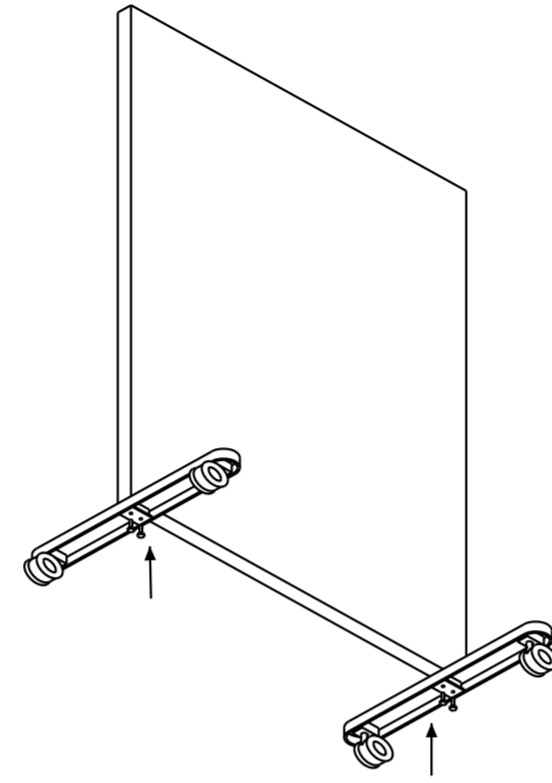


Installation Steps



Step A: Attach castors to the metal legs and metal legs to the glass-board structure.



Step B: Tighten the metal legs to the structure with a screwdriver.

 info@sensesakustik.com

 www.sensesakustik.com